



US00D605437S

(12) **United States Design Patent**
Hand

(10) **Patent No.:** **US D605,437 S**

(45) **Date of Patent:** **** Dec. 8, 2009**

(54) **CHEST AND CABINET**

(75) Inventor: **Jim Hand**, Glen Ellyn, IL (US)

(73) Assignee: **Waterloo Industries, Inc.**, Oak Creek, WI (US)

(**) Term: **14 Years**

(21) Appl. No.: **29/281,662**

(22) Filed: **Jun. 28, 2007**

(51) **LOC (9) Cl.** **06-06**

(52) **U.S. Cl.** **D6/510; D3/297; D3/318; D3/905; D6/445**

(58) **Field of Classification Search** D3/260, D3/272-275, 276, 283, 294-297, 318, 321-322, D3/903, 905; D6/335, 396-397, 400, 432-448, D6/491, 509-510; D14/133; D32/25; D34/12; 206/349, 372-373, 376-379; 312/107, 117, 312/125, 204, 209, 224, 249.1, 249.8, 249.11, 312/249.12, 257.1, 280-282, 308, 332.1, 312/351, 902; 361/695

See application file for complete search history.

(56) **References Cited**

U.S. PATENT DOCUMENTS

840,347	A *	1/1907	Knapp	312/224
D229,262	S *	11/1973	Pearson	D6/433
D328,742	S *	8/1992	Kennedy	D14/133
D356,703	S *	3/1995	Dickinson	D6/439
5,482,162	A *	1/1996	Dickinson	206/373
5,497,878	A *	3/1996	Sandonato	206/372
D423,817	S *	5/2000	Holcomb et al.	D6/445
D477,724	S *	7/2003	Bishop	D6/434
D554,864	S *	11/2007	Hand	D3/297
D563,103	S *	3/2008	Hand et al.	D3/297
D563,119	S *	3/2008	Malley et al.	D6/445
D563,120	S *	3/2008	Malley et al.	D6/445
D566,396	S *	4/2008	Hand	D3/297
D568,608	S *	5/2008	Hand	D3/297
D573,792	S *	7/2008	Hand	D3/297

D581,696	S *	12/2008	Malley et al.	D6/445
D586,132	S *	2/2009	Liuhong et al.	D6/335
D586,164	S *	2/2009	Hand	D6/510
D586,597	S *	2/2009	Hand	D6/510
D587,013	S *	2/2009	Hand	D3/318
D587,014	S *	2/2009	Hand	D3/318
D589,718	S *	4/2009	Hand	D6/400
2007/0228903	A1 *	10/2007	Liu	312/280
2007/0274042	A1 *	11/2007	Jackson et al.	361/695

* cited by examiner

Primary Examiner—Caron Veynar

Assistant Examiner—Ricky Pham

(74) *Attorney, Agent, or Firm*—Calfee, Halter & Griswold LLP

(57) **CLAIM**

The ornamental design for a chest and cabinet, as shown and described.

DESCRIPTION

FIG. 1 is a perspective view of the new, original, and ornamental design for a chest and cabinet;

FIG. 2 is a front elevational view of the chest and cabinet of FIG. 1;

FIG. 3 is a rear elevational view of the chest and cabinet of FIG. 1;

FIG. 4 is a right side elevational view of the chest and cabinet of FIG. 1;

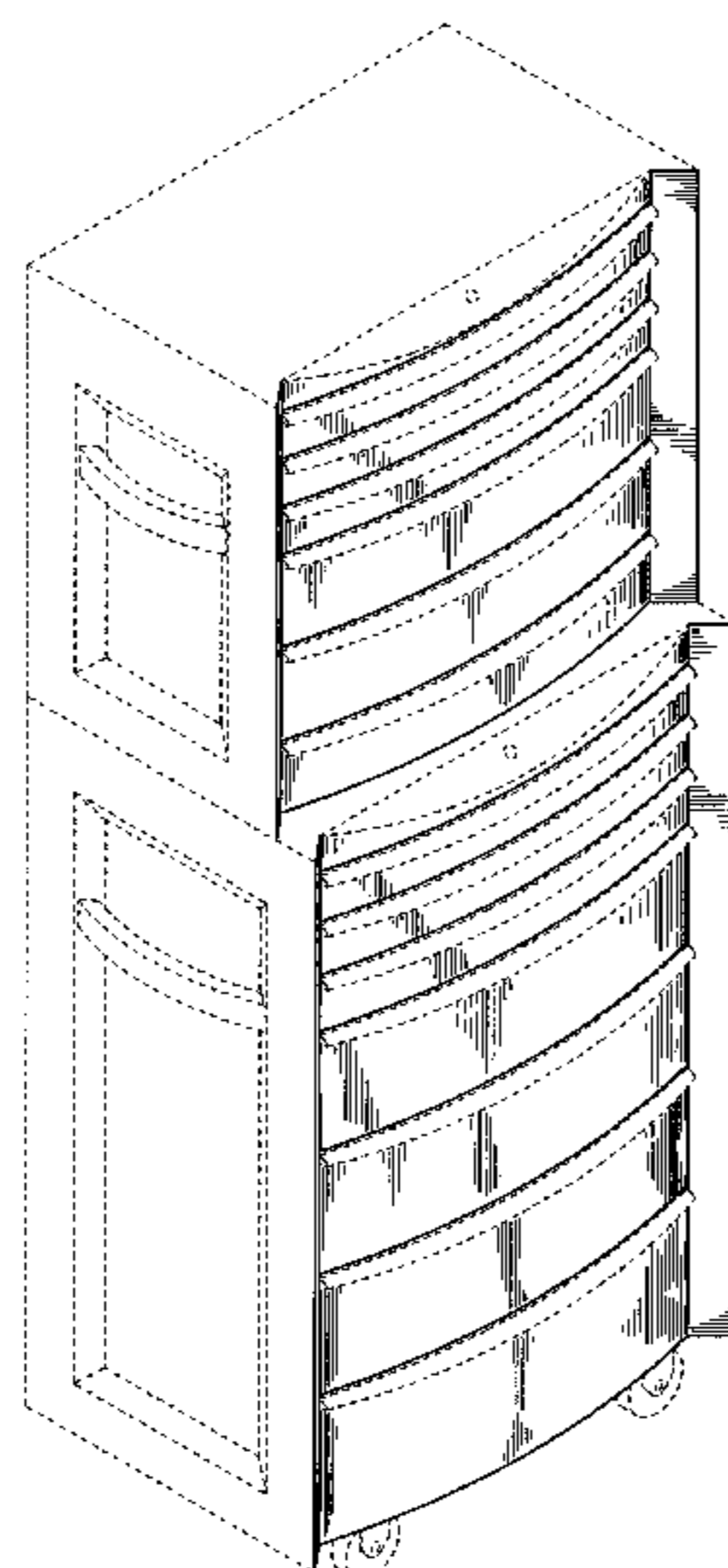
FIG. 5 is a left side elevational view of the chest and cabinet of FIG. 1;

FIG. 6 is a top plan view of the chest and cabinet of FIG. 1; and,

FIG. 7 is a bottom plan view of the chest and cabinet of FIG. 1.

The portions of the Figures shown in broken lines are not part of the claimed design and are for illustration only.

1 Claim, 6 Drawing Sheets



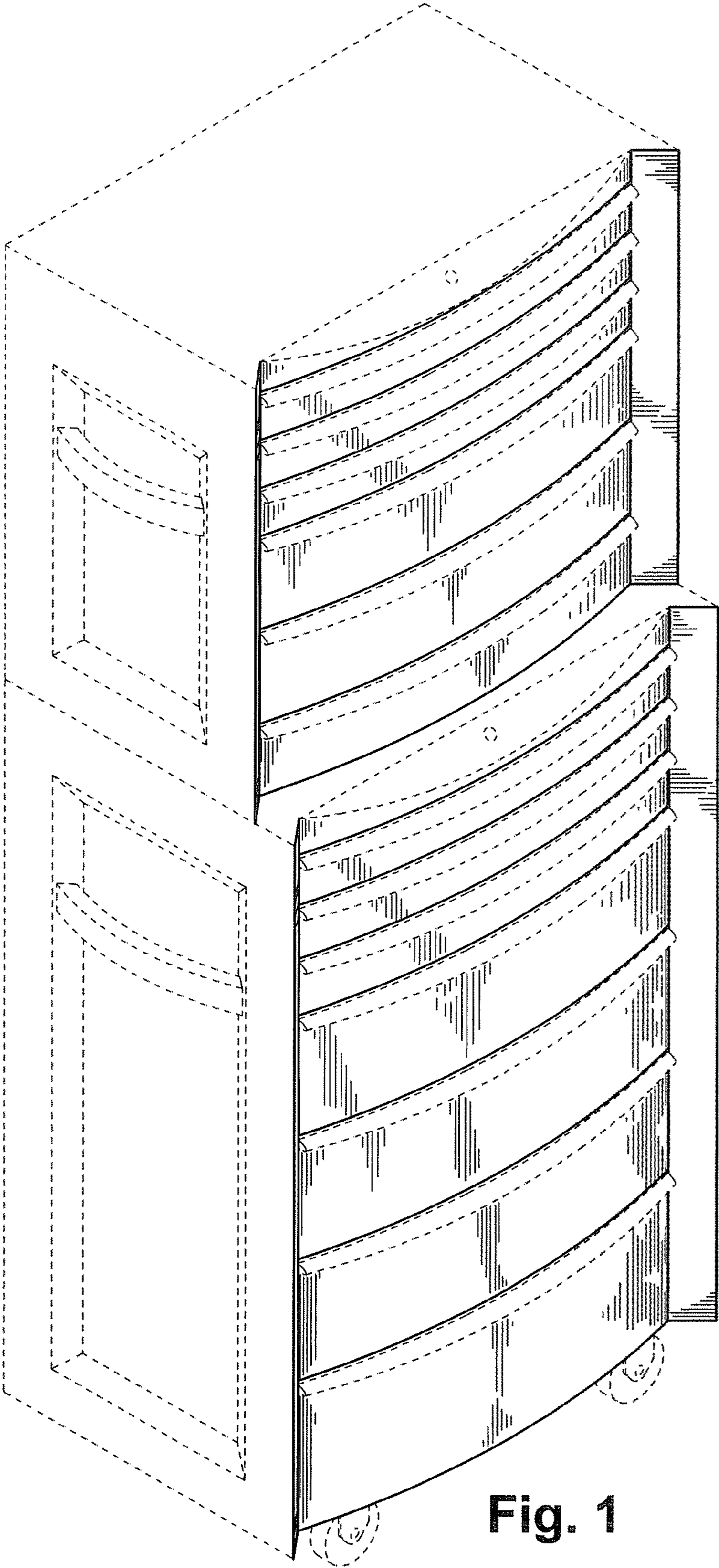


Fig. 1

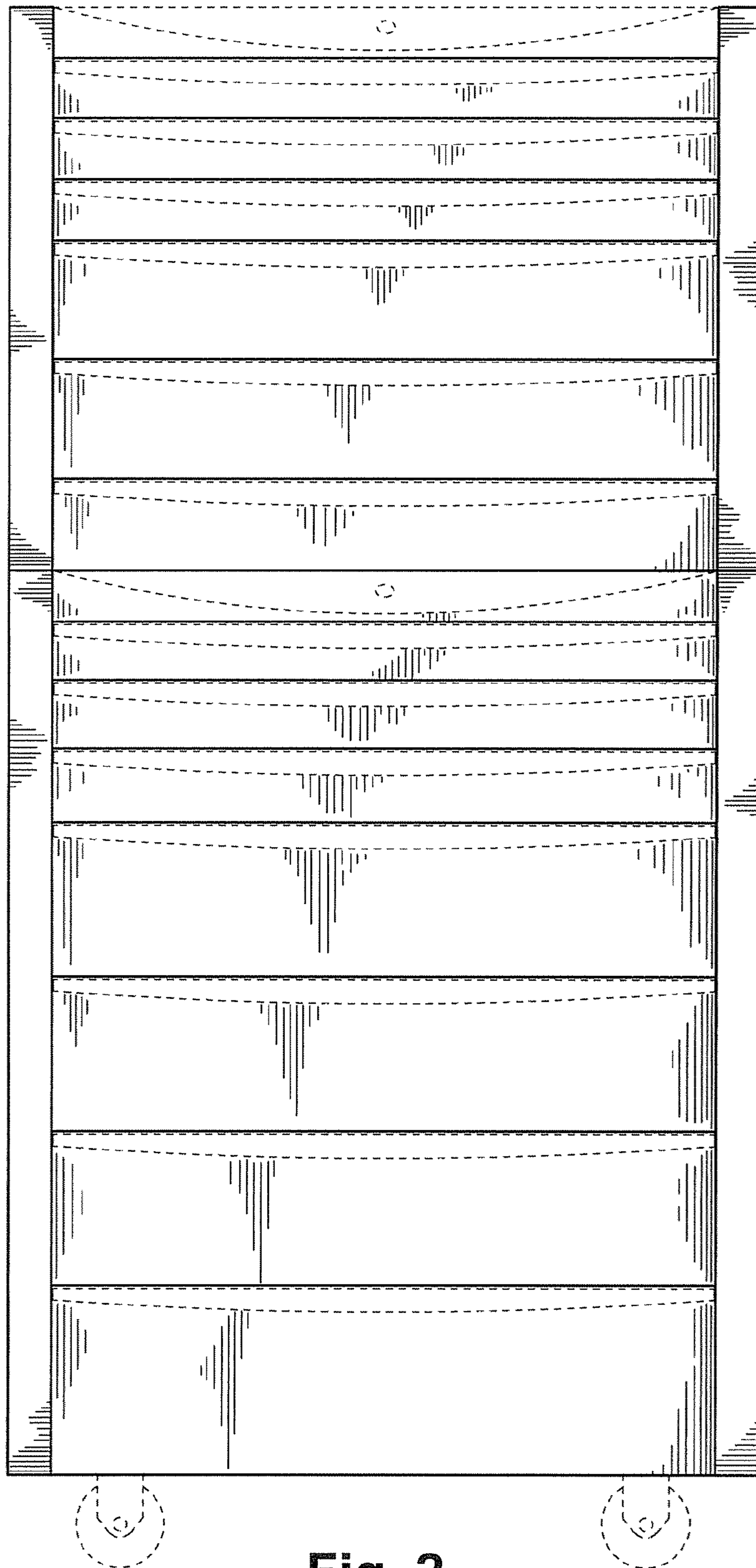


Fig. 2



Fig. 3

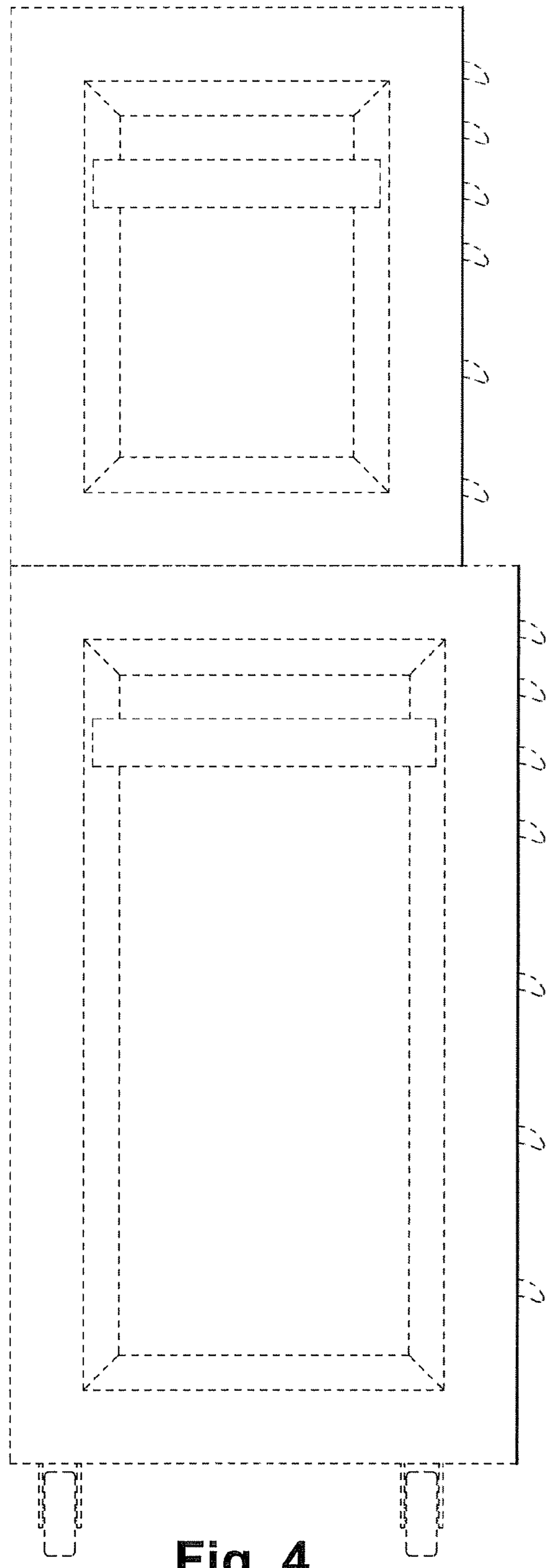


Fig. 4

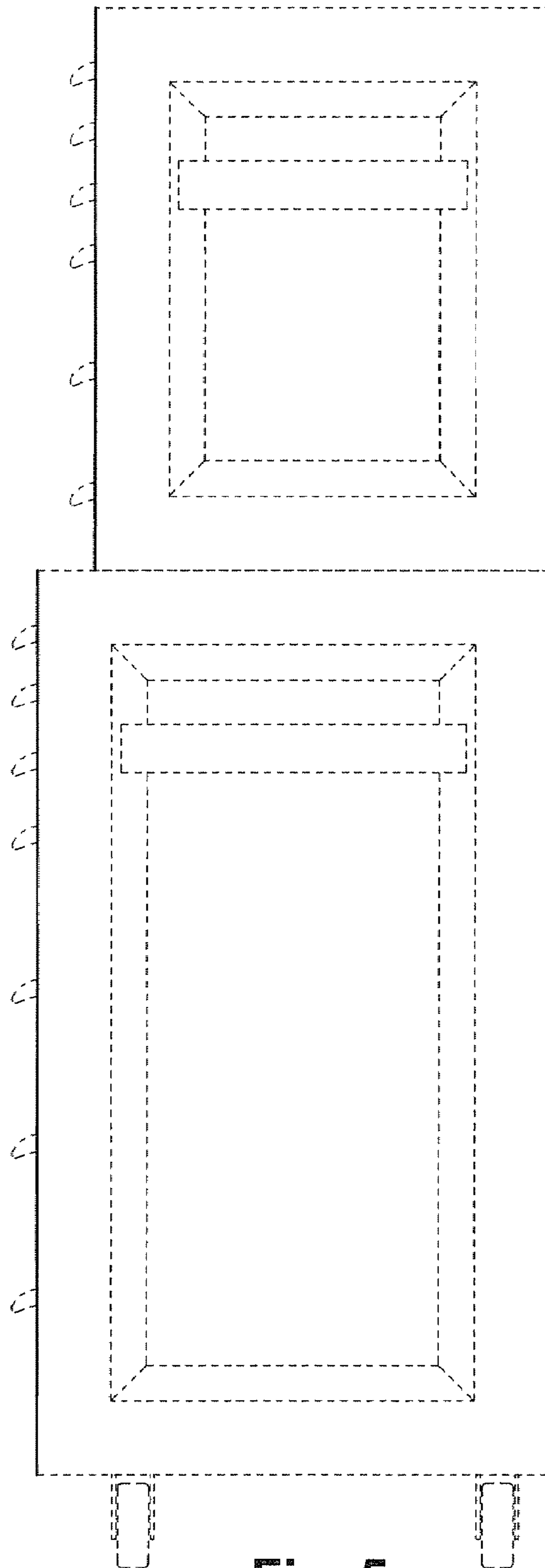


Fig. 5

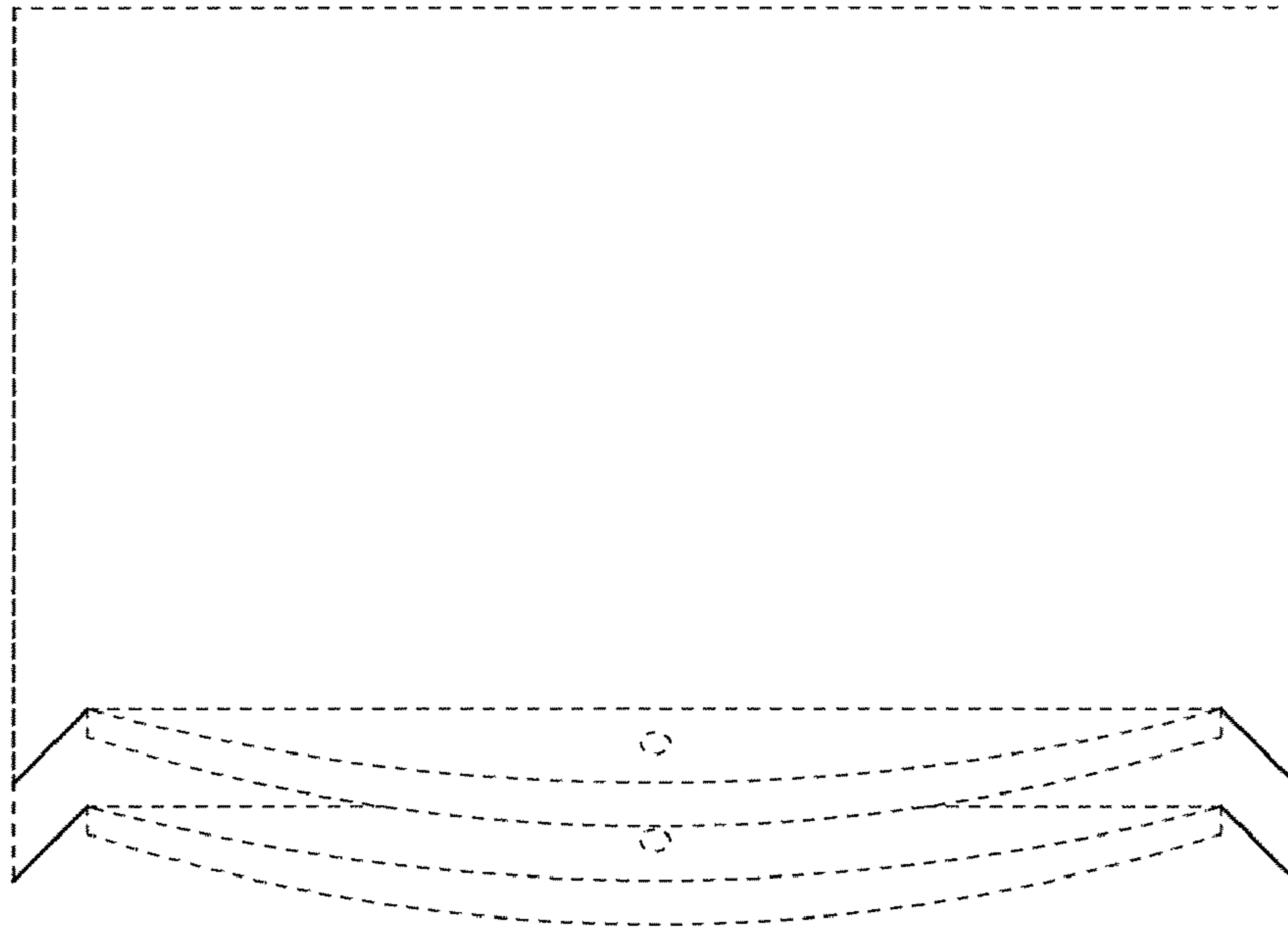


Fig. 6

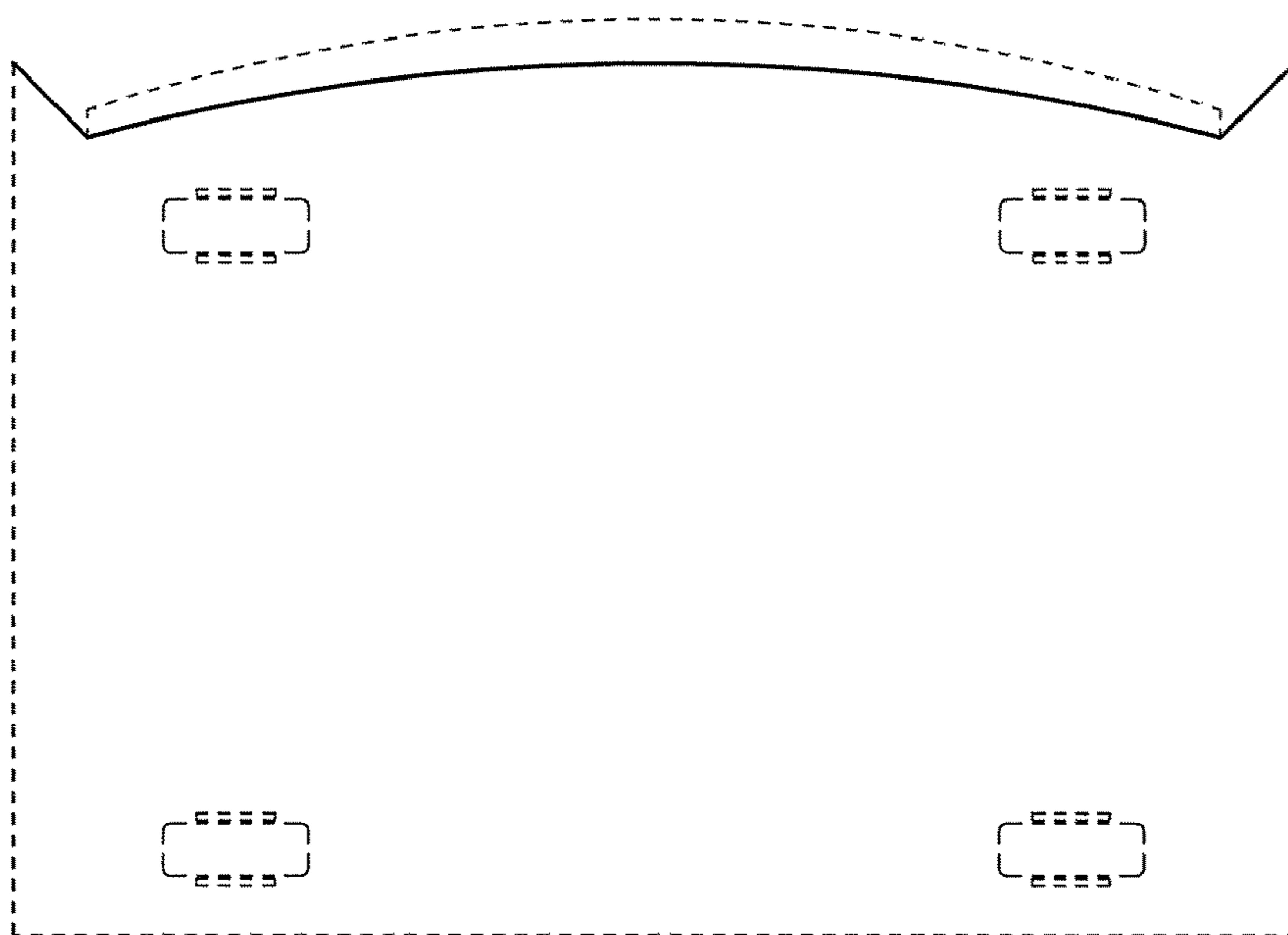


Fig. 7