

US00D605434S

(12) **United States Design Patent**  
**Daino**

(10) **Patent No.:** **US D605,434 S**  
(45) **Date of Patent:** **\*\* Dec. 8, 2009**

(54) **WORK BENCH**

(75) Inventor: **Franco Fabio Daino**, Muskego, WI (US)

(73) Assignee: **Waterloo Industries, Inc.**, Oak Creek, WI (US)

(\*\*) Term: **14 Years**

(21) Appl. No.: **29/332,463**

(22) Filed: **Feb. 17, 2009**

(51) **LOC (9) Cl.** ..... **06-04**

(52) **U.S. Cl.** ..... **D6/509**

(58) **Field of Classification Search** ..... D6/509,  
D6/491, 480, 396-400, 422-428, 436, 474-489,  
D6/495, 511, 510; D21/522, 385; 108/50.01,  
108/50.02; 248/188, 188.1, 188.8  
See application file for complete search history.

(56) **References Cited**

U.S. PATENT DOCUMENTS

D98,365 S	1/1936	Pumphrey	
D99,341 S	4/1936	Bond	
D100,165 S	6/1936	Kalpakoff	
D277,019 S	1/1985	Appel et al.	
D278,583 S	4/1985	Koguma	
D296,165 S	6/1988	Ferguson et al.	
D317,092 S	5/1991	Koguma	
5,024,167 A	6/1991	Hayward	
D318,963 S	8/1991	Haseke et al.	
D341,273 S	11/1993	Koguma	
D355,312 S	2/1995	Wolff	
D356,911 S *	4/1995	Bubb	..... D6/480

D379,724 S	6/1997	Lo	
D394,761 S	6/1998	Bird et al.	
D415,365 S	10/1999	Nicklas	
D474,049 S	5/2003	Wakasugi et al.	
D479,064 S	9/2003	Goldberg	
D570,422 S *	6/2008	Beirne et al.	..... D21/385
D570,628 S *	6/2008	Mehmen	..... D6/509
D570,629 S *	6/2008	Mehmen	..... D6/509

\* cited by examiner

*Primary Examiner*—Joel Sincavage

*Assistant Examiner*—Sydney R Buffalow

(74) *Attorney, Agent, or Firm*—Calfee, Halter & Griswold LLP

(57) **CLAIM**

I claim the ornamental design for a work bench, as shown and described.

**DESCRIPTION**

FIG. 1 is a front perspective view of a work bench showing the new design;

FIG. 2 is a front view of the work bench of FIG. 1;

FIG. 3 is a rear view of the work bench of FIG. 1;

FIG. 4 is a top view of the work bench of FIG. 1;

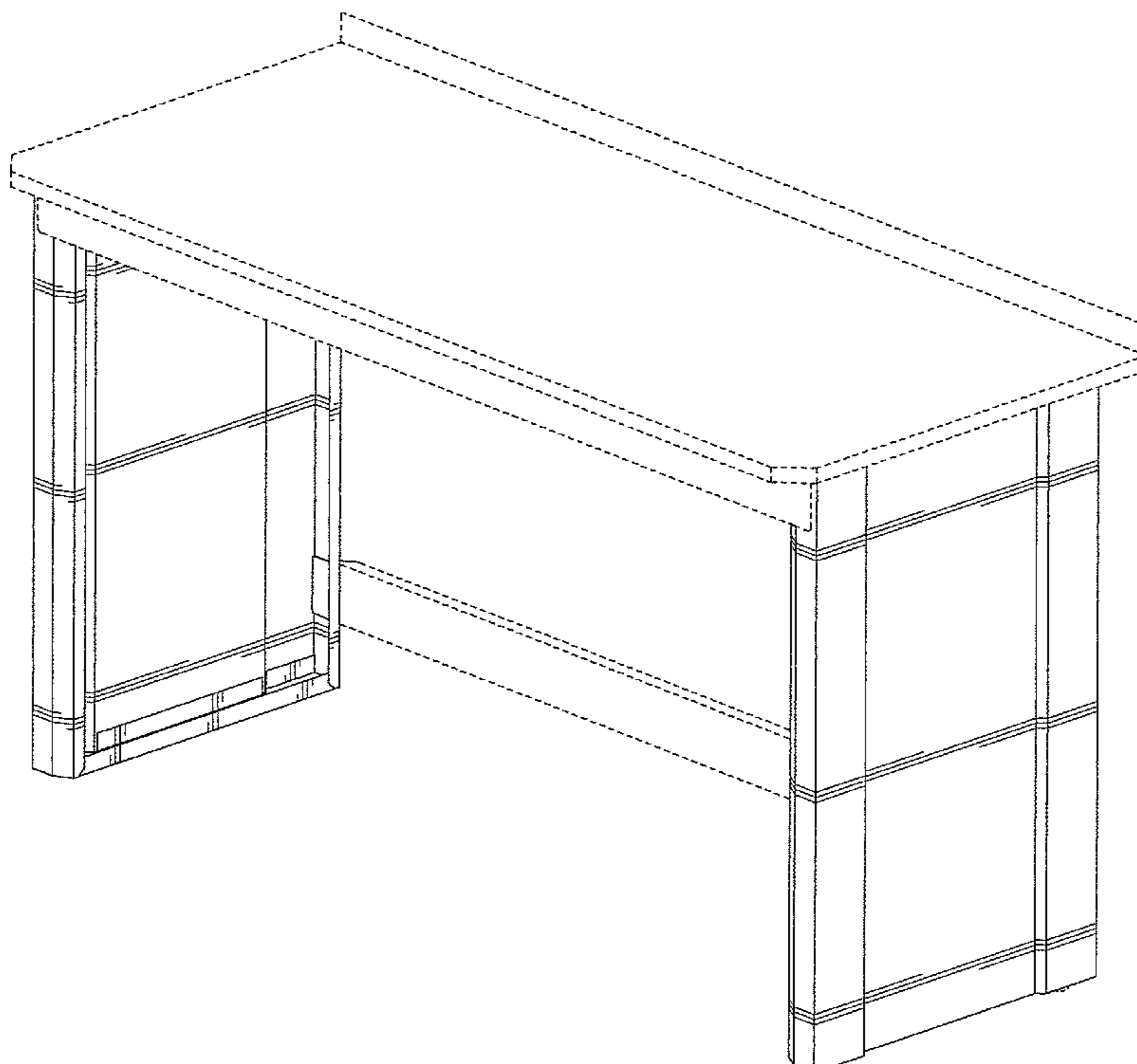
FIG. 5 is a bottom view of the work bench of FIG. 1;

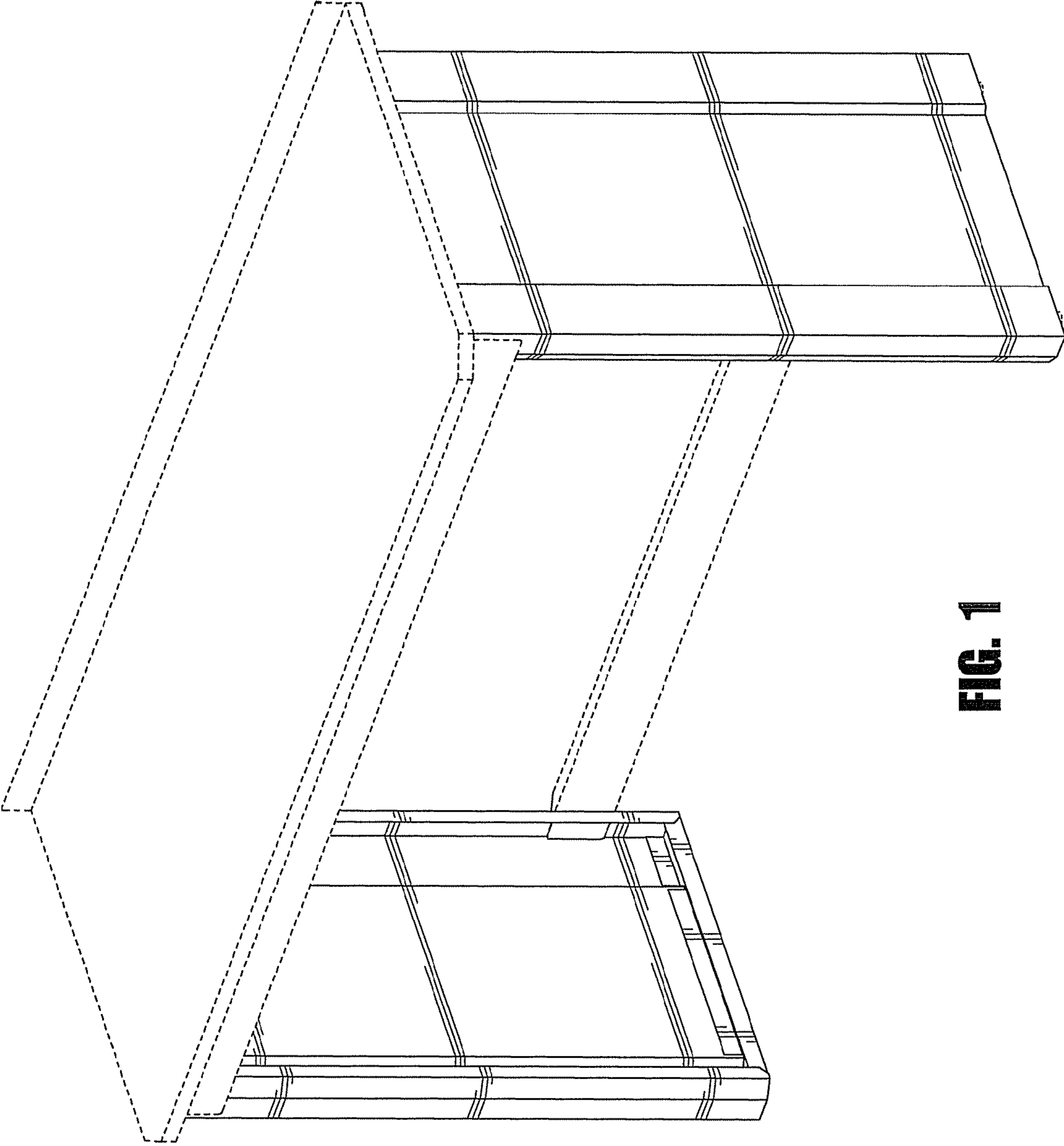
FIG. 6 is a right side view of the work bench of FIG. 1; and,

FIG. 7 is a left side view of the work bench of FIG. 1.

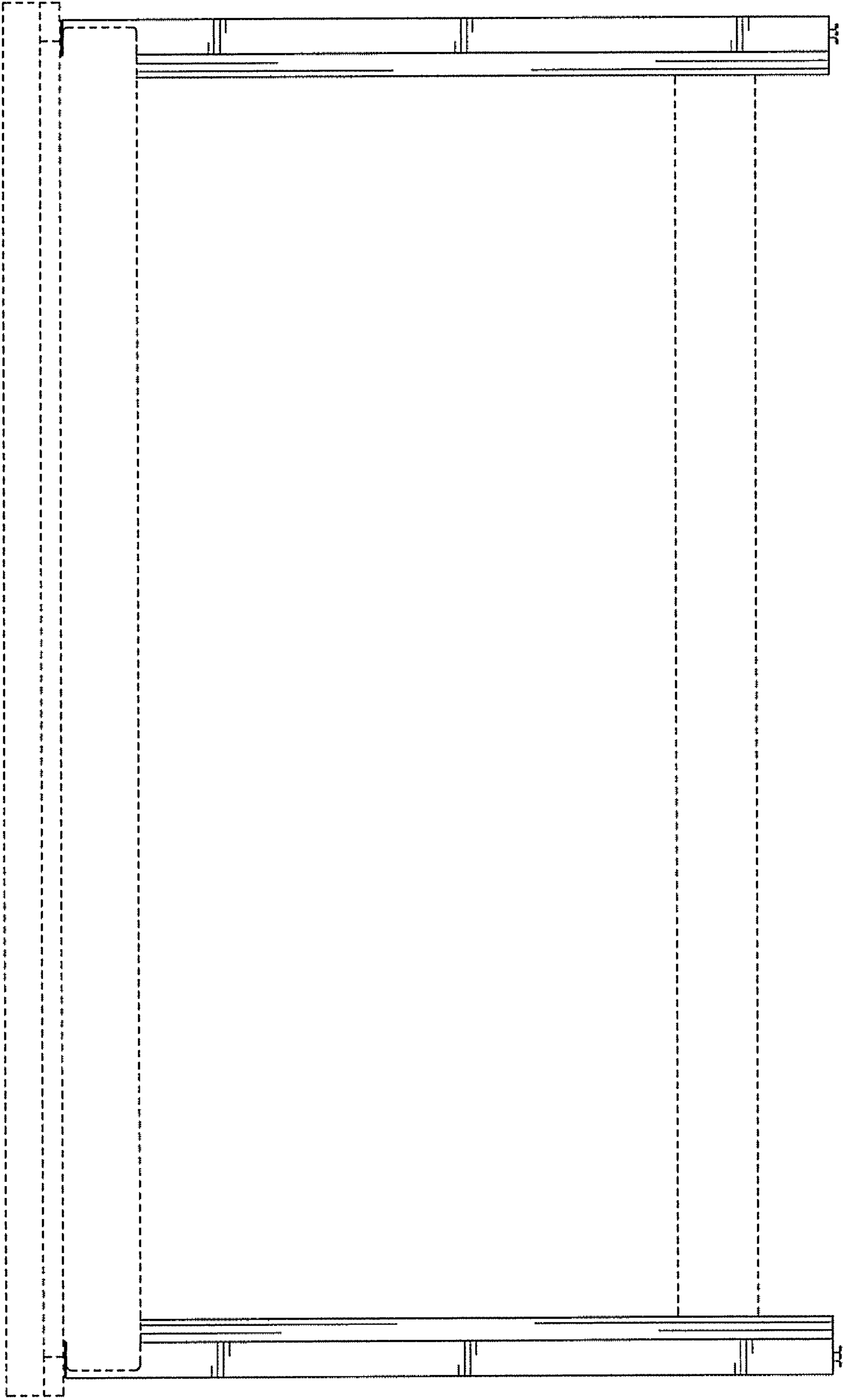
The broken lines shown in the drawings are for illustrative purposes only and form no part of the claimed design.

**1 Claim, 5 Drawing Sheets**

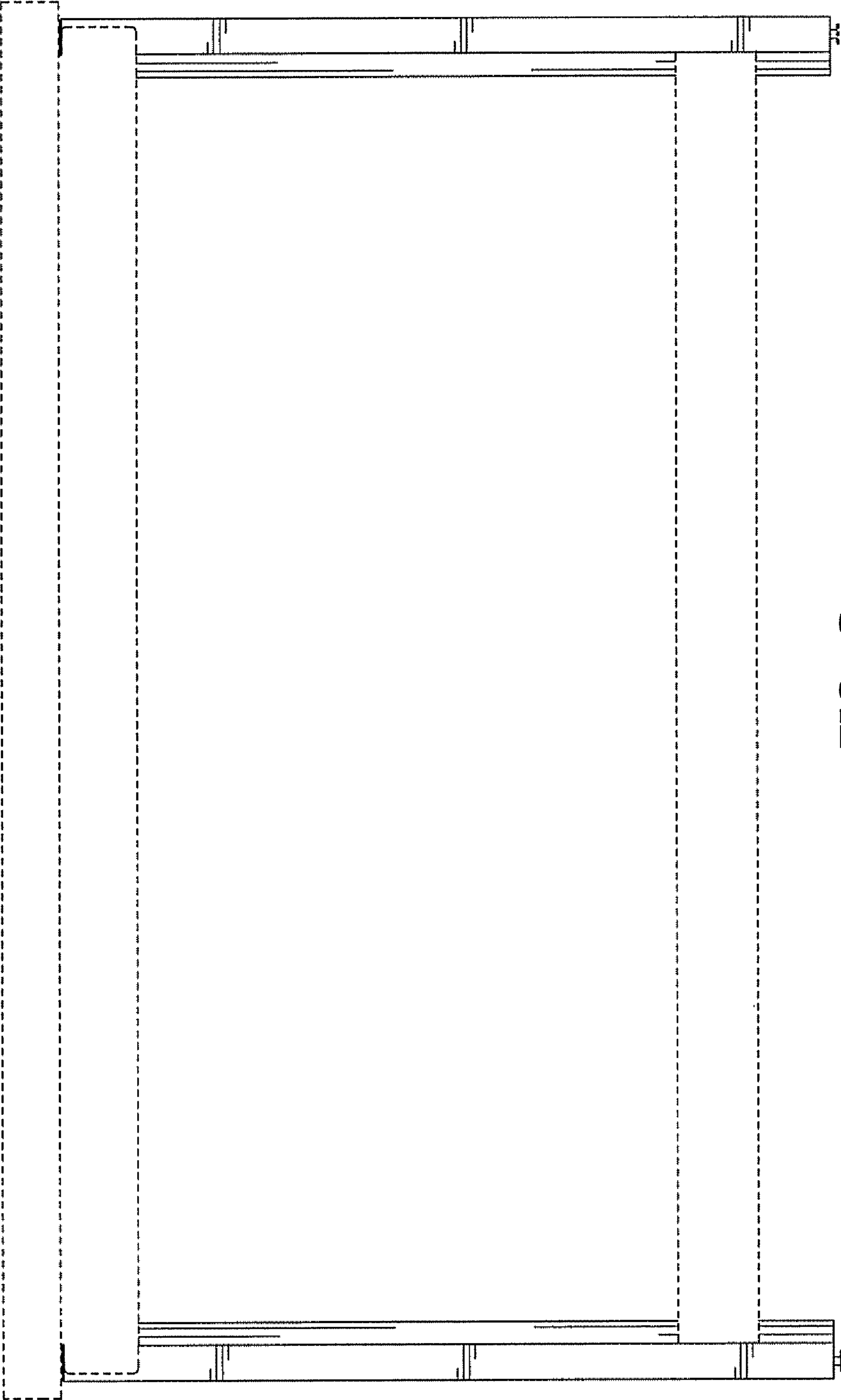




**FIG. 1**

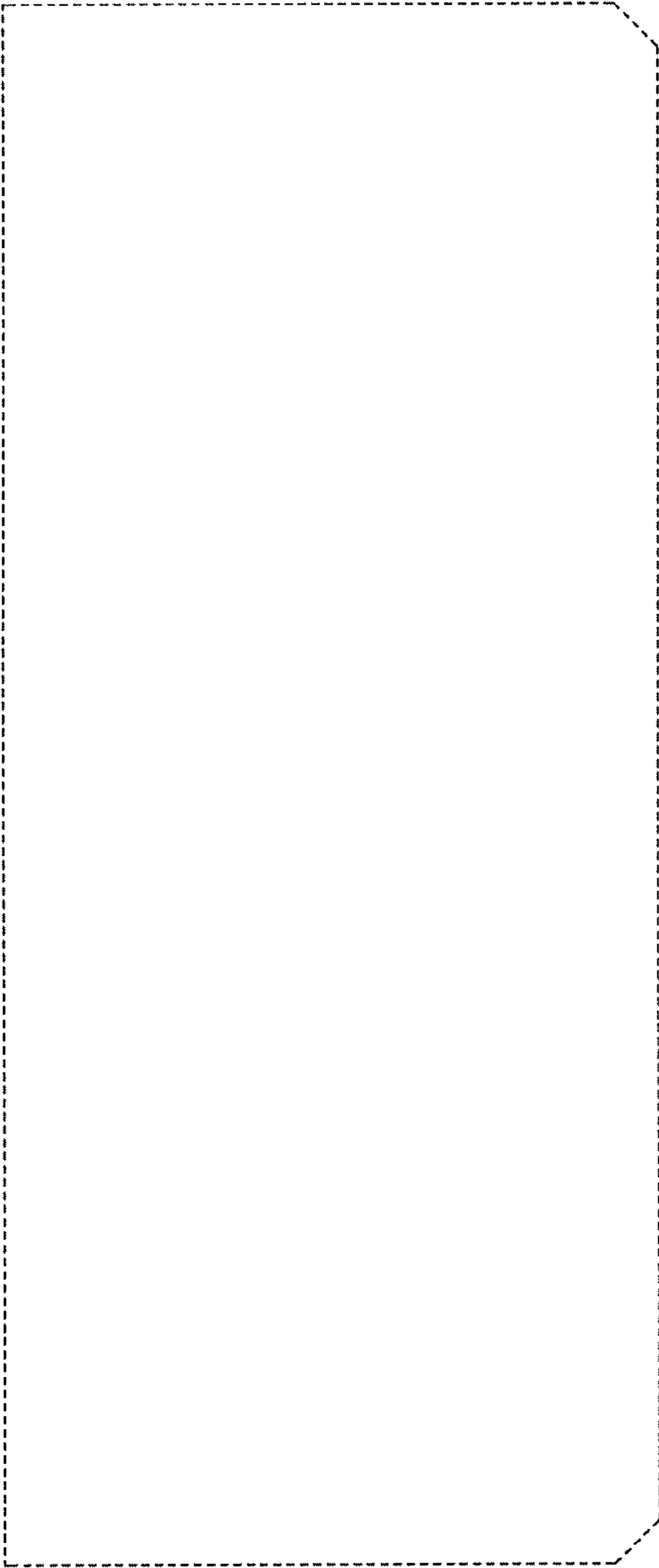


**FIG. 2**

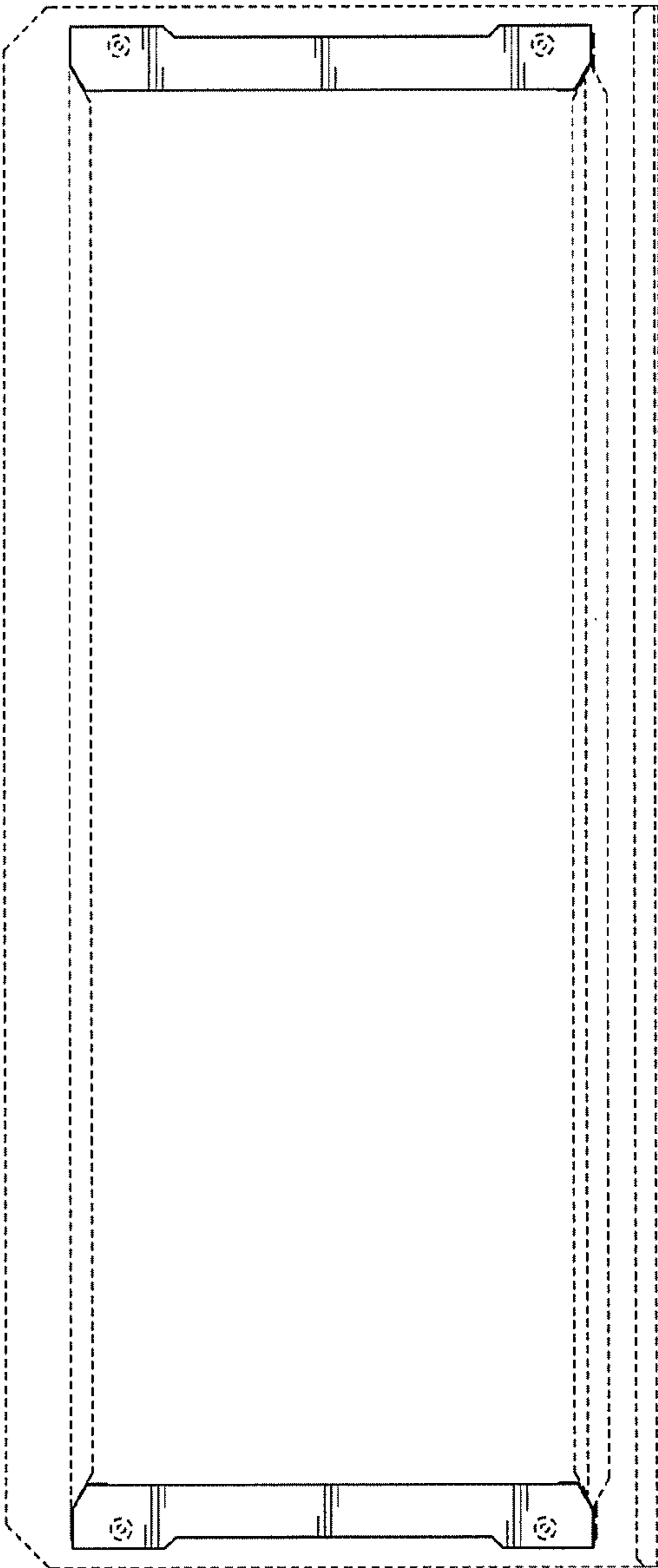


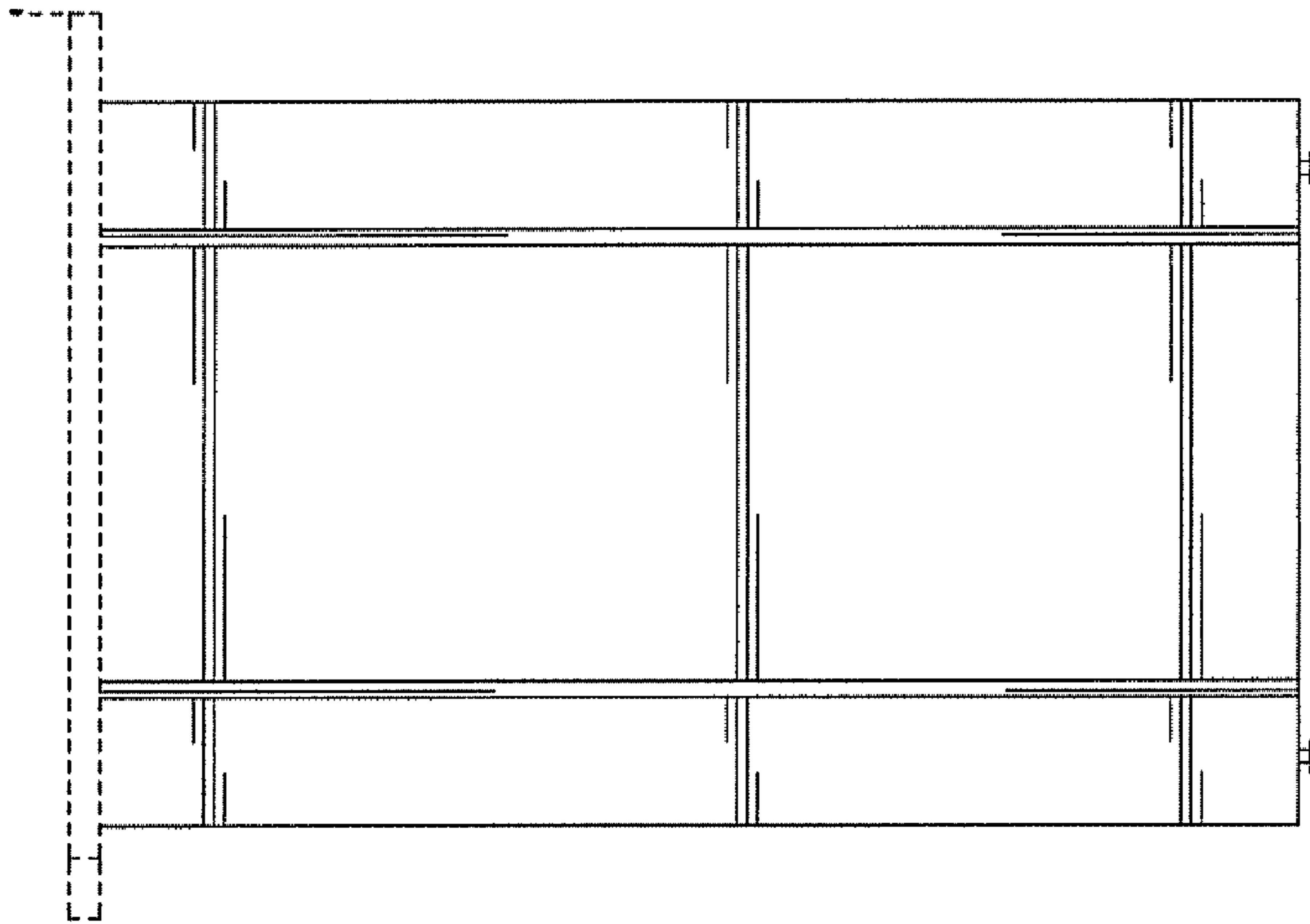
**FIG. 3**

**FIG. 4**

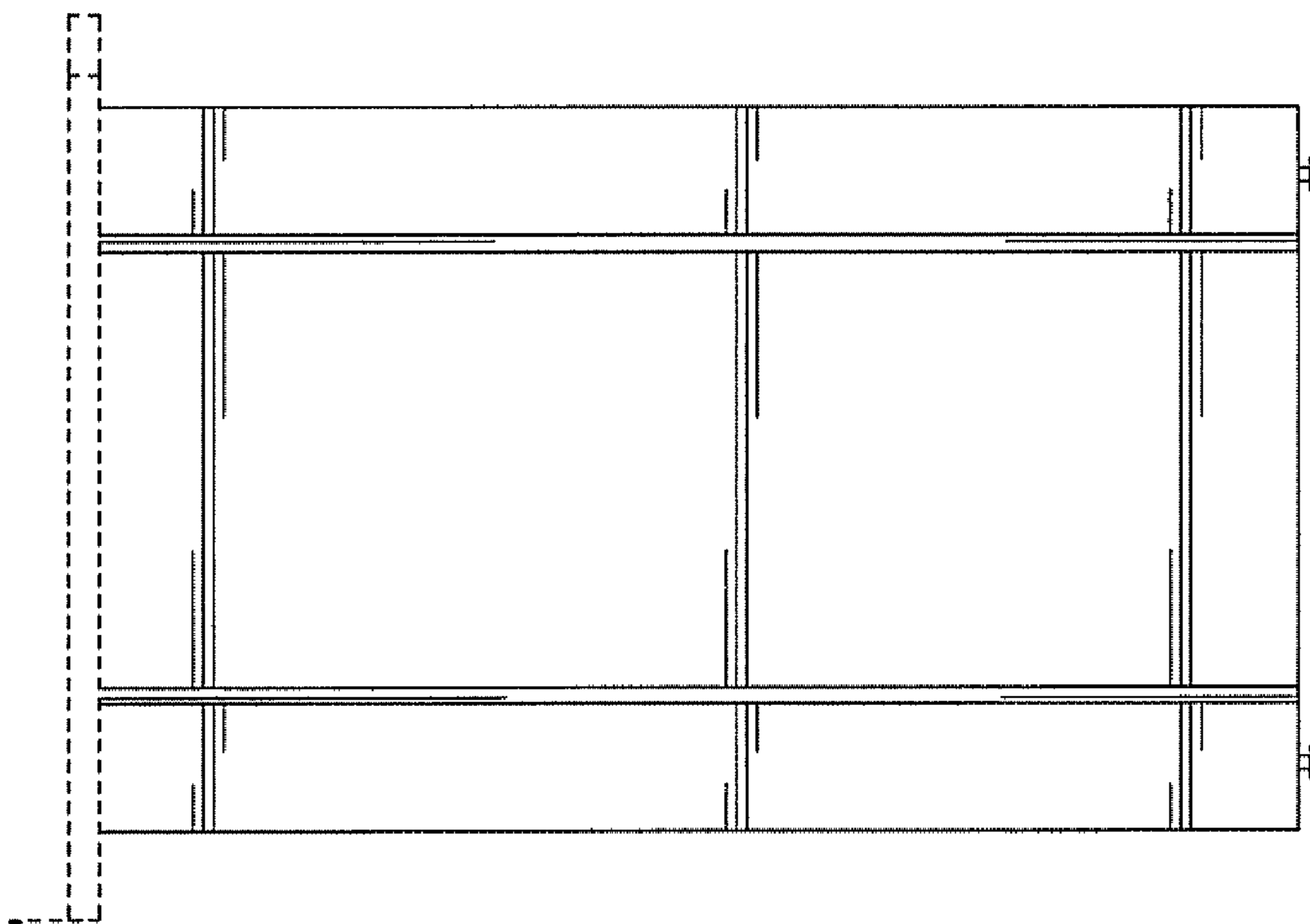


**FIG. 5**





**FIG. 7**



**FIG. 6**