



US00D605431S

(12) **United States Design Patent**
Gharabegian

(10) **Patent No.:** **US D605,431 S**

(45) **Date of Patent:** **** Dec. 8, 2009**

(54) **TABLE**

D360,992 S * 8/1995 Hutton D6/349
D513,131 S * 12/2005 Nelson D6/487

(75) Inventor: **Armen Sevada Gharabegian**, Glendale,
CA (US)

* cited by examiner

(73) Assignee: **Lounge22, LLC**, Burbank, CA (US)

Primary Examiner—Janice E Seeger

(74) *Attorney, Agent, or Firm*—Pillsbury Winthrop Shaw
Pittman LLP

(**) Term: **14 Years**

(21) Appl. No.: **29/308,479**

(57) **CLAIM**

(22) Filed: **Jun. 19, 2008**

The ornamental design for a table, as shown and described.

(51) **LOC (9) Cl.** **06-03**

(52) **U.S. Cl.** **D6/480; D6/349; D6/482**

(58) **Field of Classification Search** D6/480–489,
D6/495–499, 429–430, 477, 479, 349, 436;
108/153.1, 155, 156, 161, 50.01, 50.02; 248/188,
248/188.1, 188.8

DESCRIPTION

FIG. 1 is a front top perspective view of a table showing a new
design;

FIG. 2 is a top view of the table showing the new design;

FIG. 3 is a bottom view of the table showing the new design;

FIG. 4 is a left side view of the table showing the new design,
the right side view being substantially the same; and,

FIG. 5 is a front view of the table showing the new design, the
back view being substantially the same.

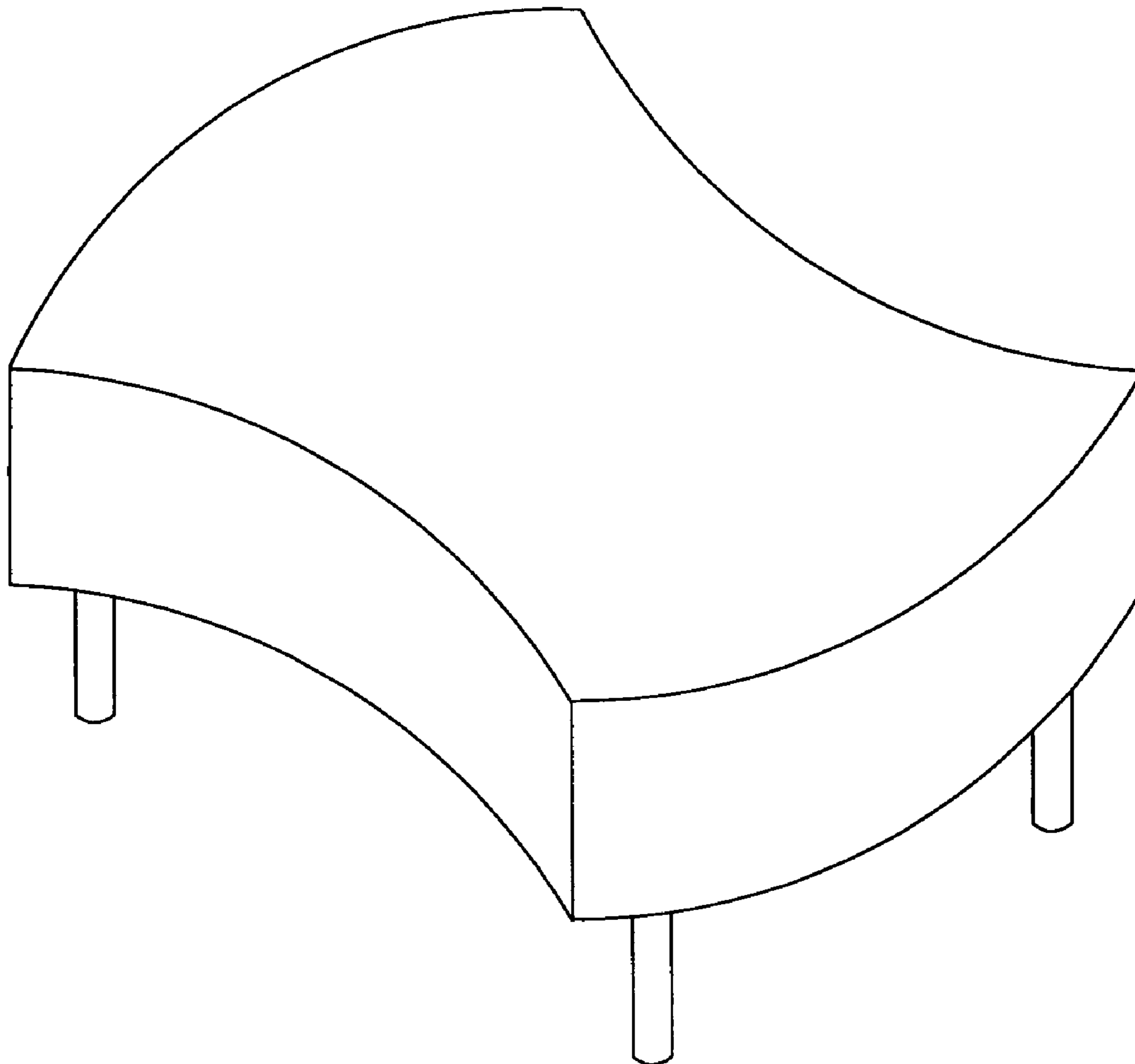
See application file for complete search history.

(56) **References Cited**

U.S. PATENT DOCUMENTS

D179,635 S * 2/1957 Gera D6/455

1 Claim, 5 Drawing Sheets



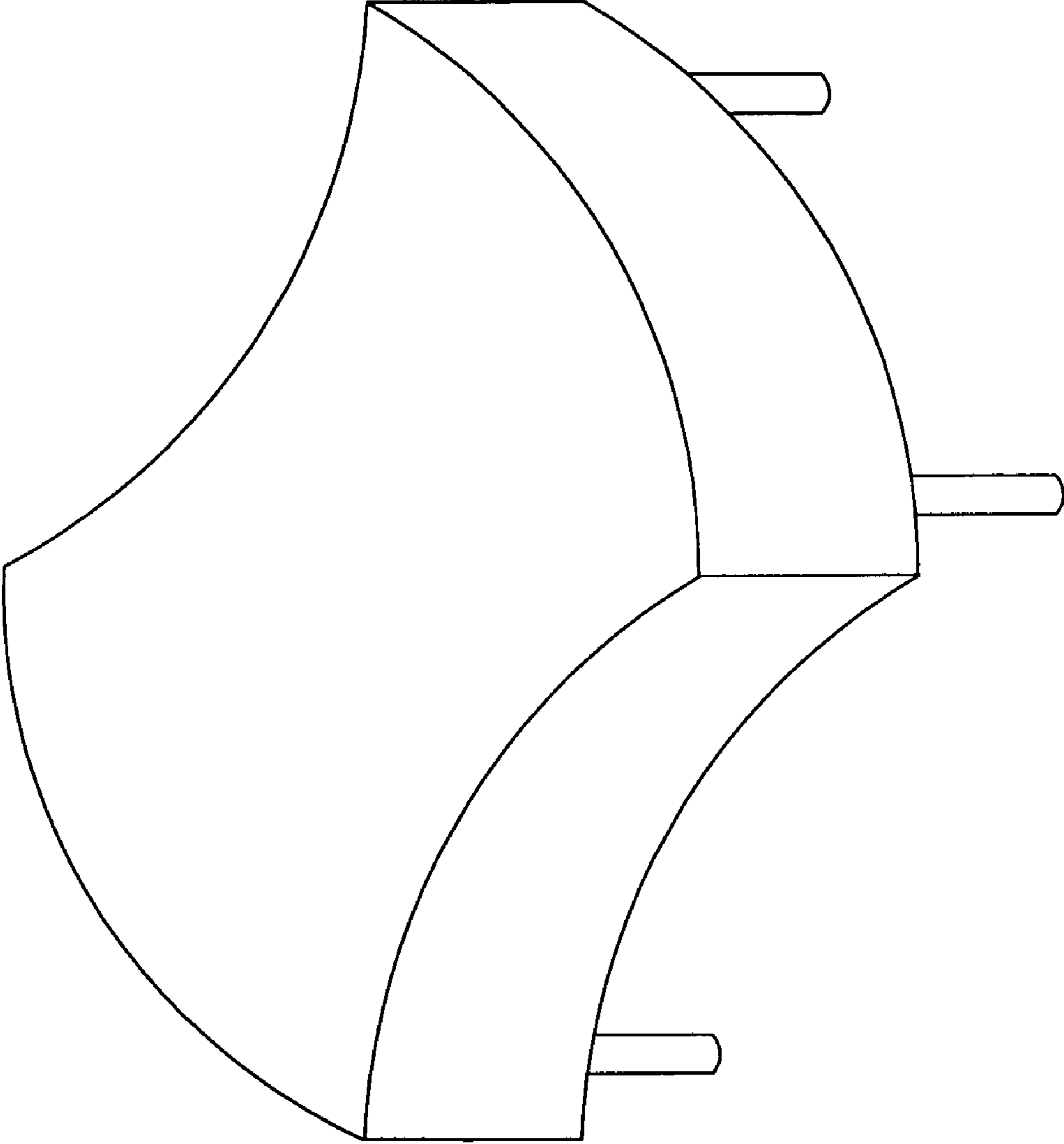


Figure 1

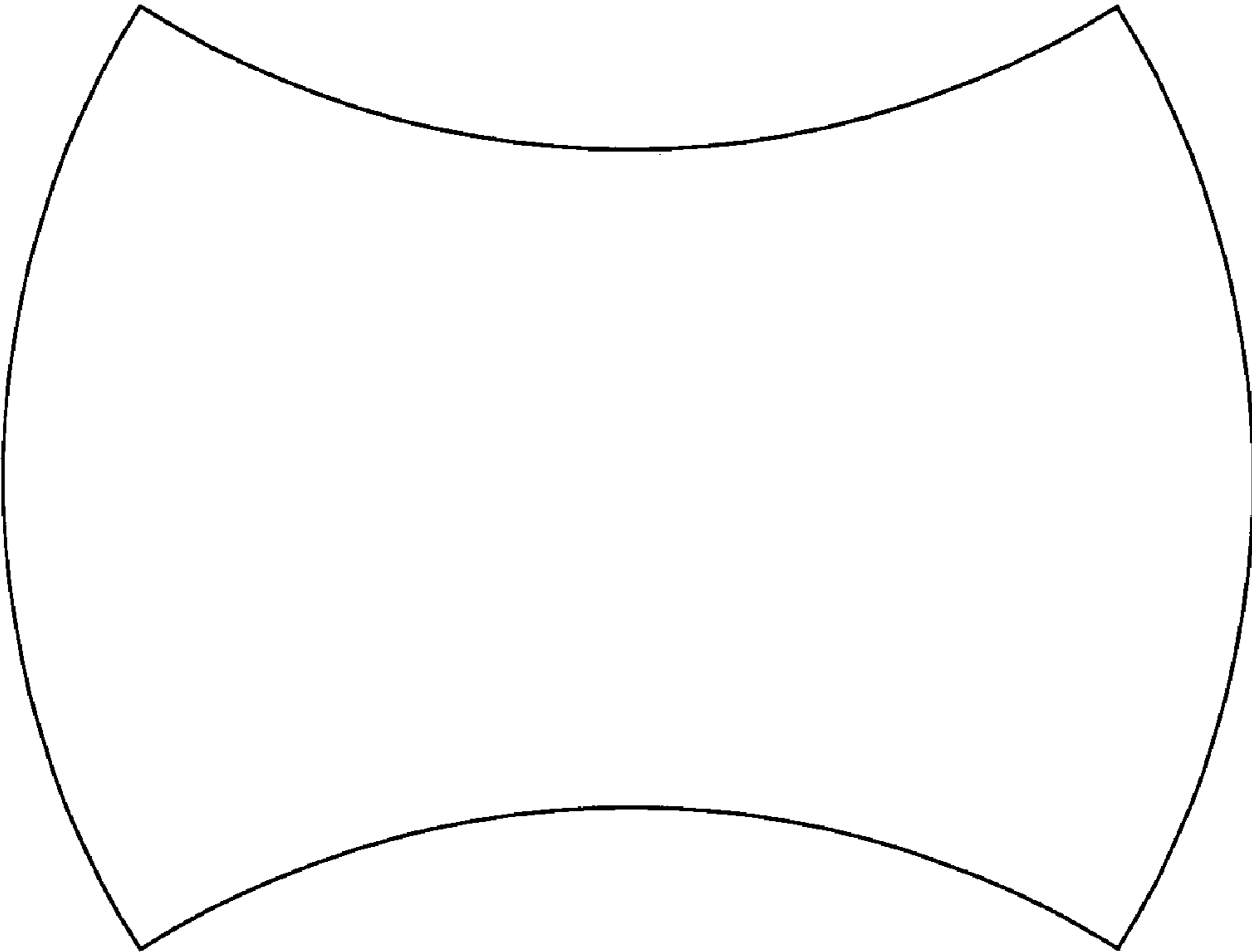


Figure 2

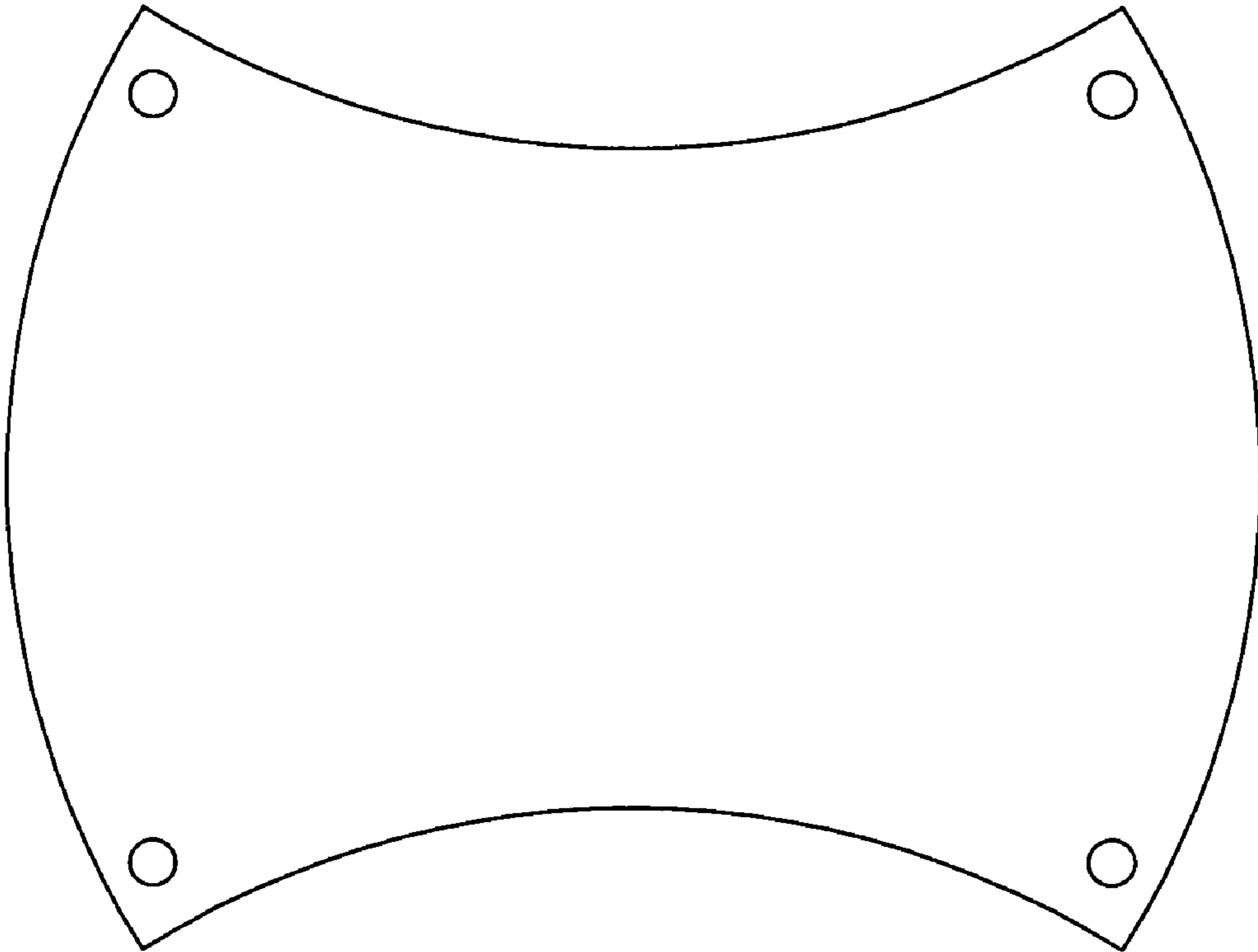


Figure 3

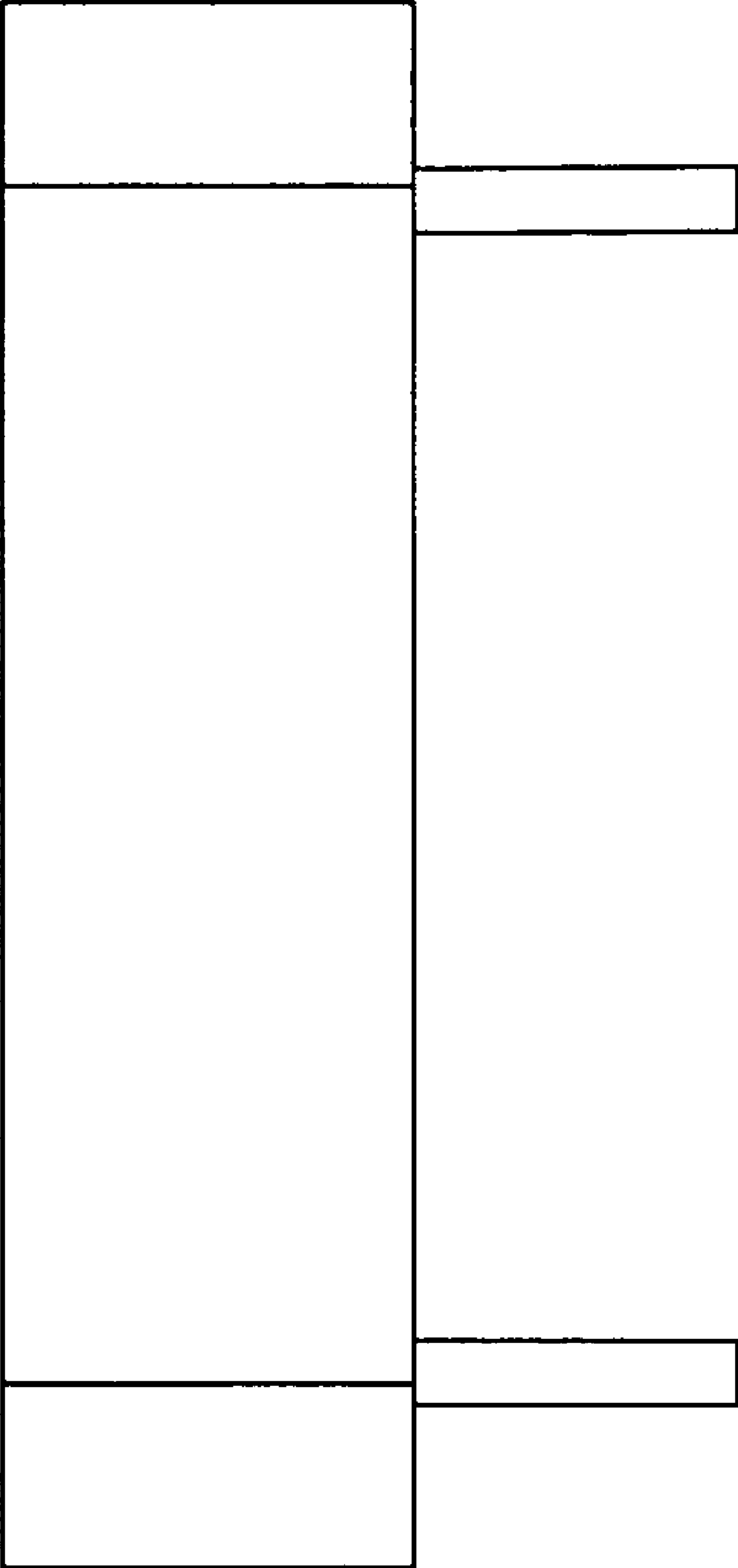


Figure 4

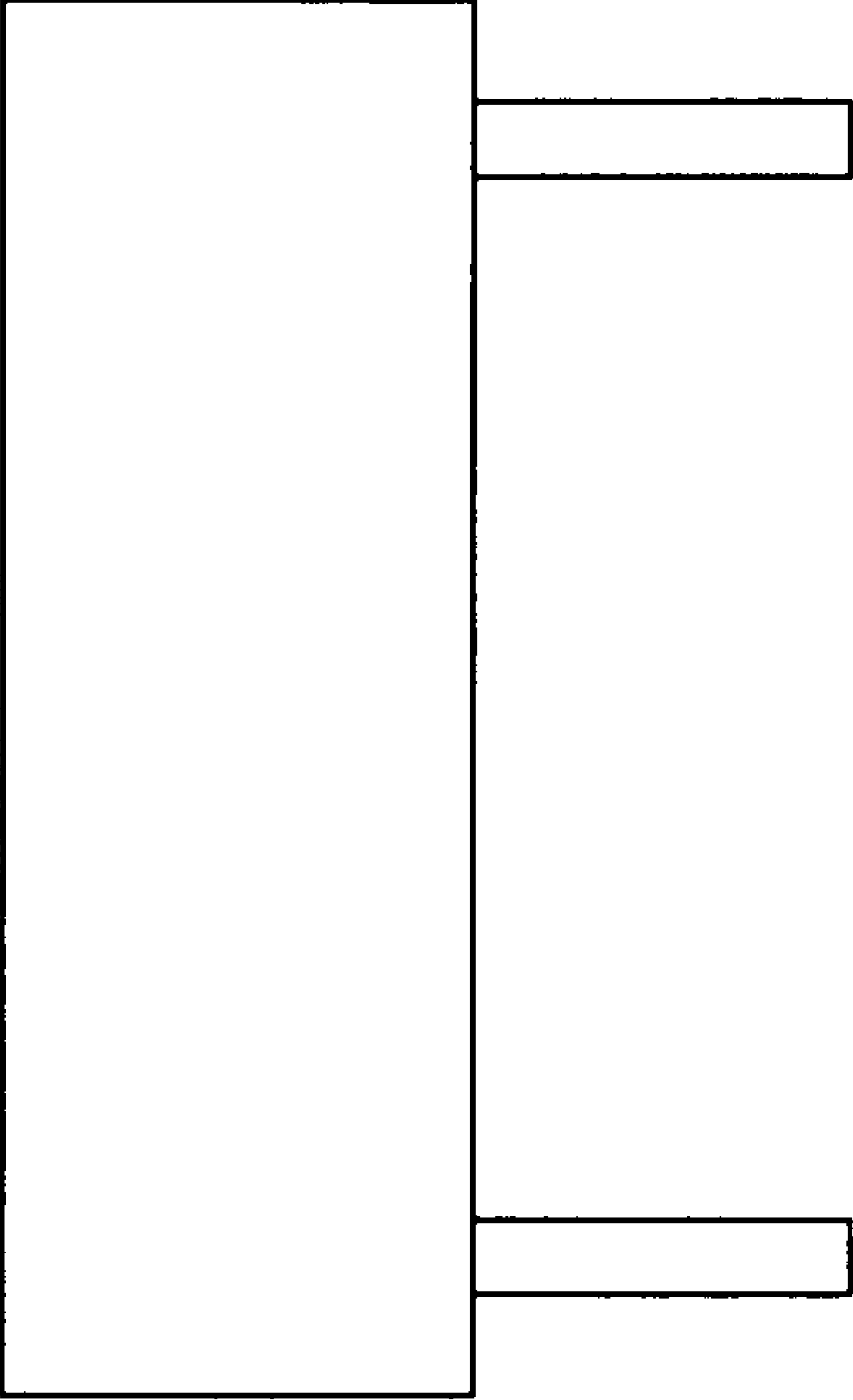


Figure 5