



US00D605429S

(12) **United States Design Patent**
Öner

(10) **Patent No.:** **US D605,429 S**

(45) **Date of Patent:** **** Dec. 8, 2009**

(54) **TV RACK**

(76) **Inventor:** **Biröl Öner**, Dörtyol Modern Sanayi Sitesi Keresteciler çarsisi 30. Sok. No:8, Adapazari (TR)

(**) **Term:** **14 Years**

(21) **Appl. No.:** **29/284,262**

(22) **Filed:** **Sep. 4, 2007**

(51) **LOC (9) Cl.** **06-04**

(52) **U.S. Cl.** **D6/477**

(58) **Field of Classification Search** D6/477-479,
D6/474, 460-461, 466, 468, 511; 108/59,
108/91-92, 96

See application file for complete search history.

(56) **References Cited**

U.S. PATENT DOCUMENTS

D491,753 S *	6/2004	deCarolis	D6/479
D506,329 S *	6/2005	Sexton	D6/477
D507,900 S *	8/2005	Sexton	D6/474
D517,349 S *	3/2006	Lara	D6/477

D519,757 S *	5/2006	Portnoy	D6/479
D526,513 S *	8/2006	Moyle et al.	D6/479
D537,656 S *	3/2007	Stenhouse et al.	D6/474
D537,658 S *	3/2007	Tung	D6/479
D539,566 S *	4/2007	Anderson et al.	D6/474

* cited by examiner

Primary Examiner—Elizabeth A Albert

Assistant Examiner—Kelley A Donnelly

(74) *Attorney, Agent, or Firm*—Venable, Campillo, Logan & Meaney PC

(57) **CLAIM**

The ornamental design for a TV rack, as shown and described.

DESCRIPTION

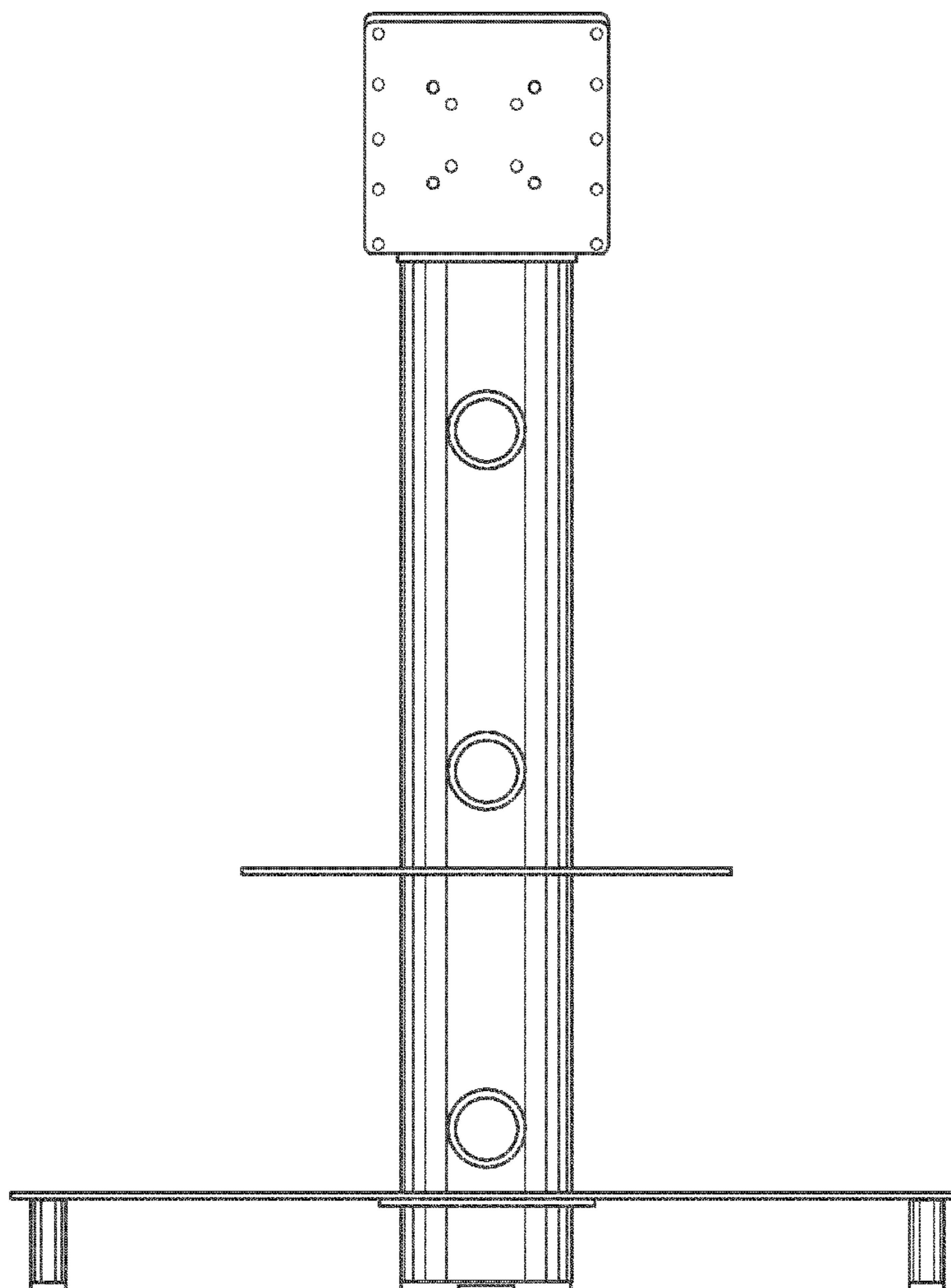
FIG. 1 is a front view side thereof;

FIG. 2 is a front perspective view thereof; and,

FIG. 3 is a side perspective view thereof.

The broken lines are for environmental purposes only and form no part of the claimed design.

1 Claim, 2 Drawing Sheets



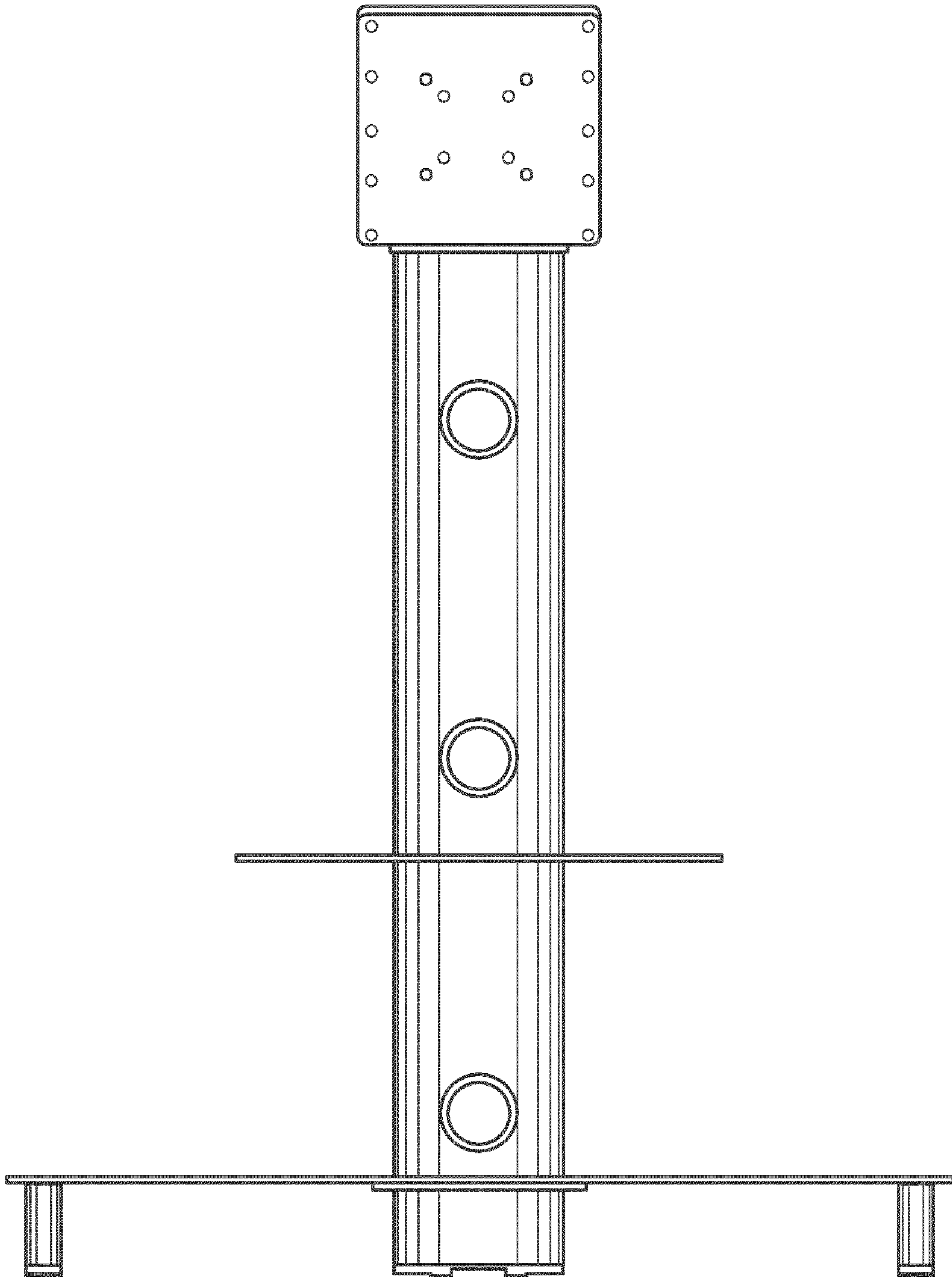


Fig. 1

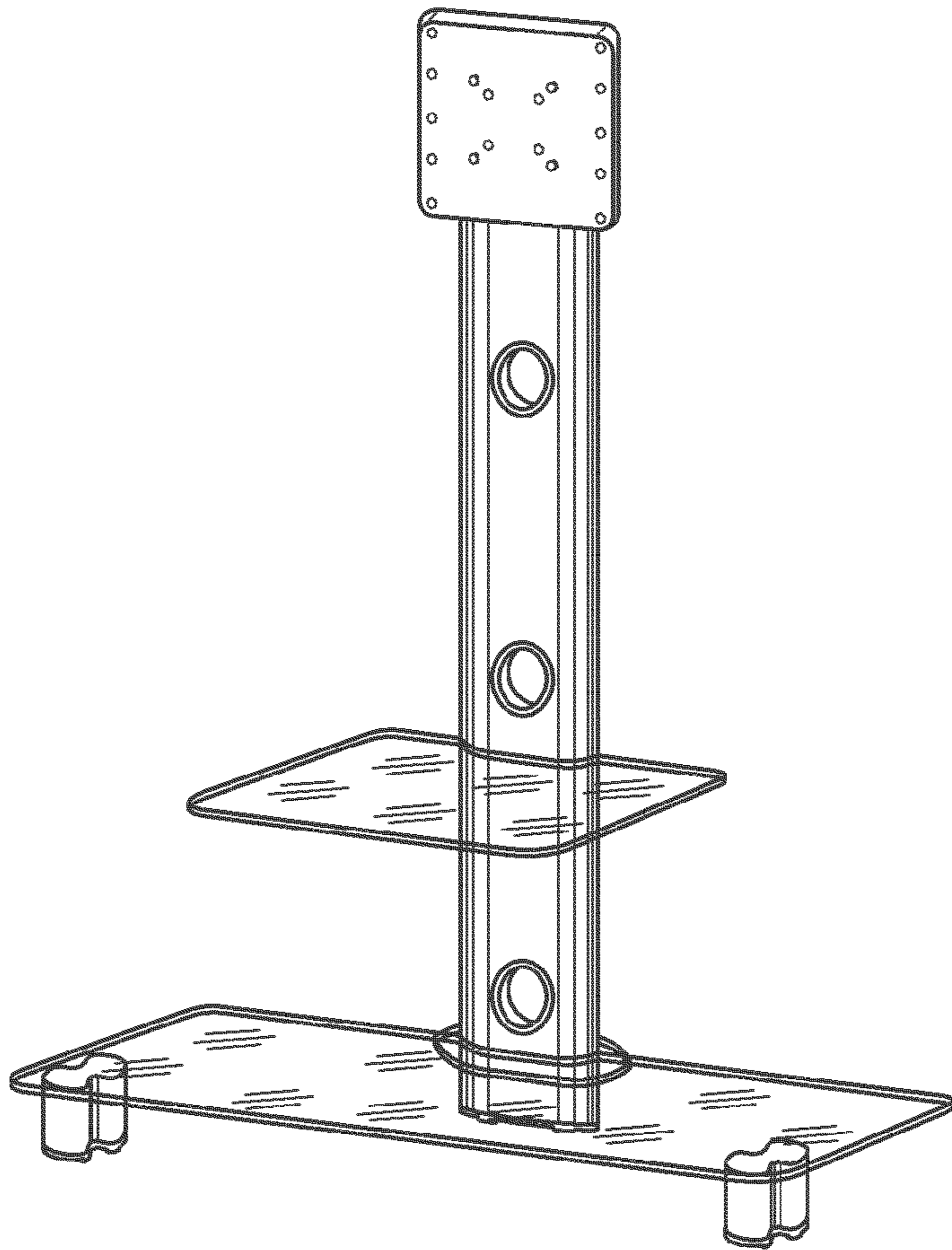


Fig. 2

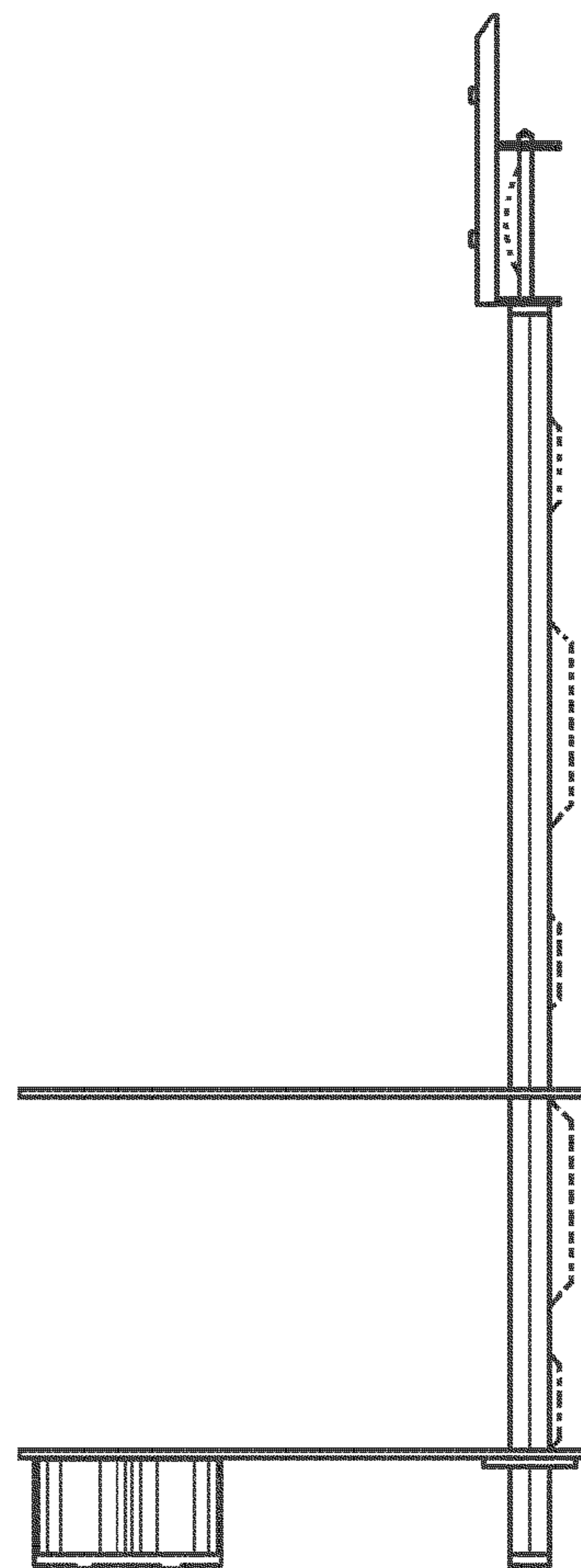


Fig. 3