



US00D605426S

(12) **United States Design Patent**  
**Mason**

(10) **Patent No.:** **US D605,426 S**

(45) **Date of Patent:** **\*\* Dec. 8, 2009**

(54) **DISPLAY CART**

D585,665 S \* 2/2009 Collins ..... D6/455  
7,500,574 B1 \* 3/2009 Miller et al. .... 211/106

(75) Inventor: **Timothy L. Mason**, Melville, NY (US)

\* cited by examiner

(73) Assignee: **New Dimensions Research Corporation**, Melville, NY (US)

*Primary Examiner*—Elizabeth A Albert  
*Assistant Examiner*—Kelley A Donnelly

(\*\*) Term: **14 Years**

(74) *Attorney, Agent, or Firm*—Collard & Roe, P.C.

(21) Appl. No.: **29/301,158**

(57) **CLAIM**

(22) Filed: **Feb. 13, 2008**

The ornamental design for a display cart, as shown and described.

(51) **LOC (9) Cl.** ..... **06-04**

(52) **U.S. Cl.** ..... **D6/461**

(58) **Field of Classification Search** ..... D6/461;  
D34/12-13; 280/79.11, 79.3, 47.35, 79.2,  
280/651; 211/150

See application file for complete search history.

**DESCRIPTION**

FIG. 1 is a top view of my design for a display cart according to the invention;

FIG. 2 is a front view thereof;

FIG. 3 is a first side view thereof; the opposite side being identical;

FIG. 4 is a top right perspective view thereof;

FIG. 5 is a top left perspective view thereof;

FIG. 6 is a bottom left perspective view thereof; and,

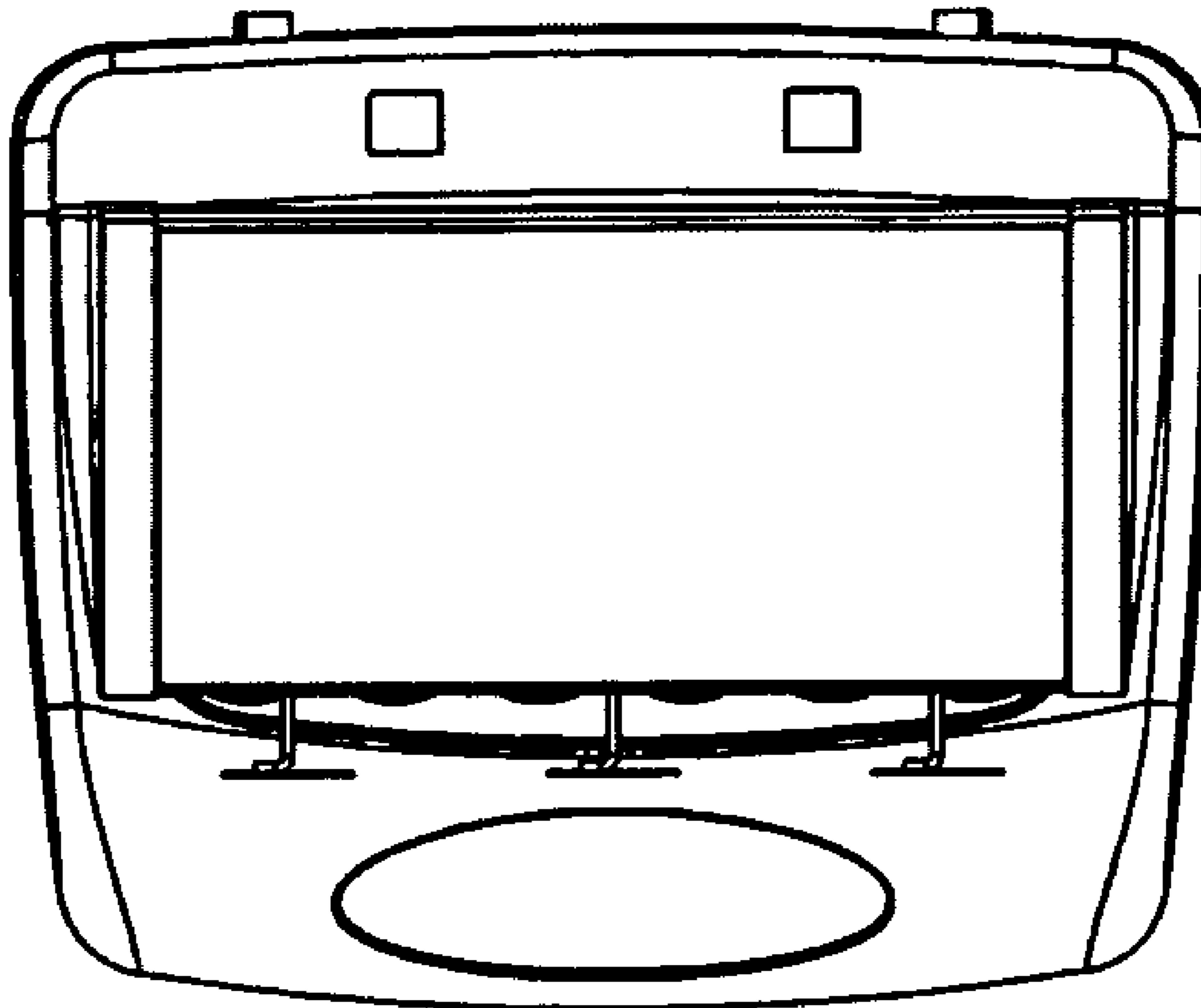
FIG. 7 is a bottom right perspective view thereof.

(56) **References Cited**

**U.S. PATENT DOCUMENTS**

- D325,480 S \* 4/1992 Krautsack ..... D6/457
- D352,147 S \* 11/1994 Dymont et al. .... D34/24
- D487,178 S \* 2/2004 Cuzzocrea ..... D34/17
- D556,264 S \* 11/2007 Tanaka et al. .... D20/39
- D584,538 S \* 1/2009 Weigand et al. .... D6/464

**1 Claim, 6 Drawing Sheets**



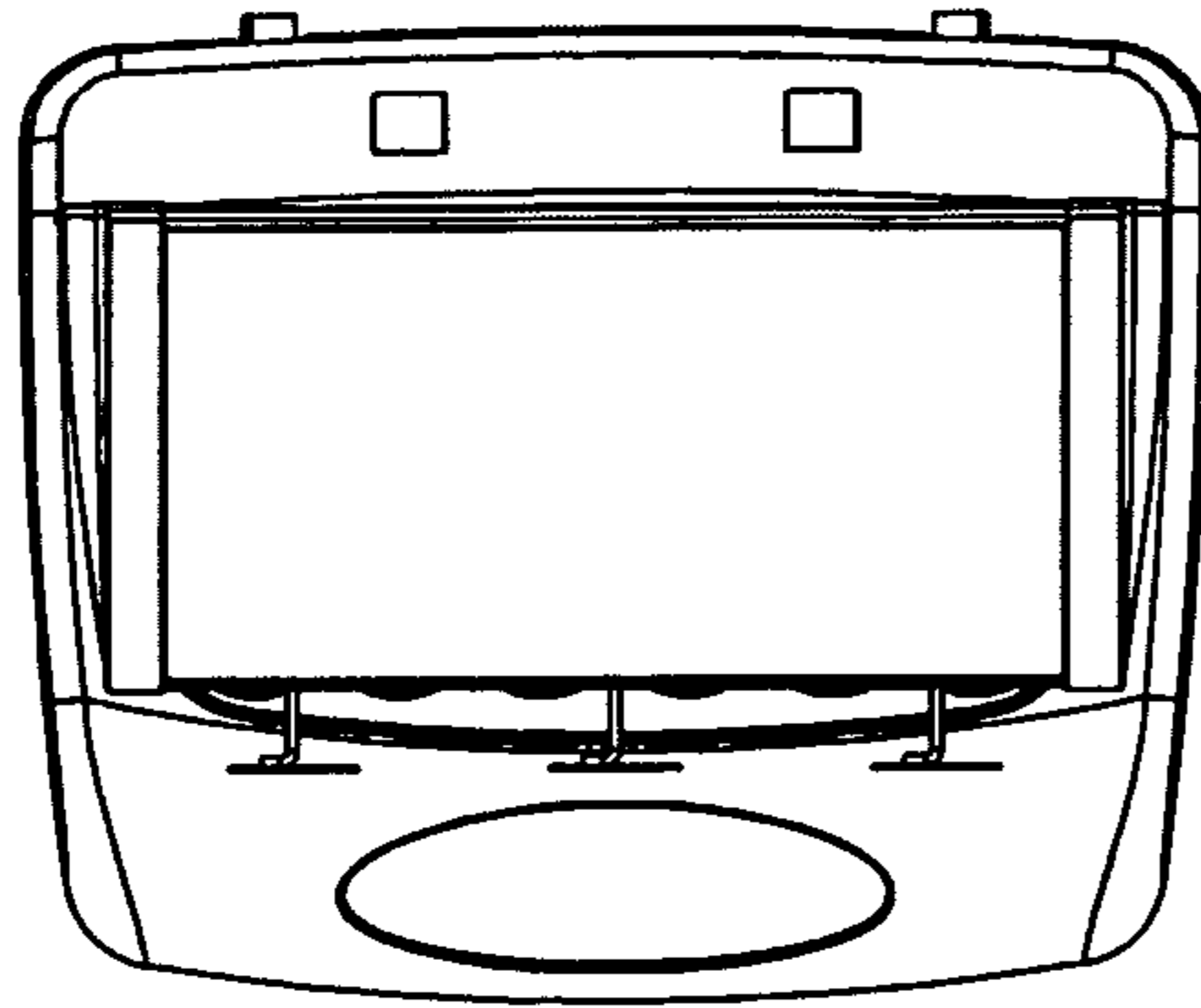


FIG. 1

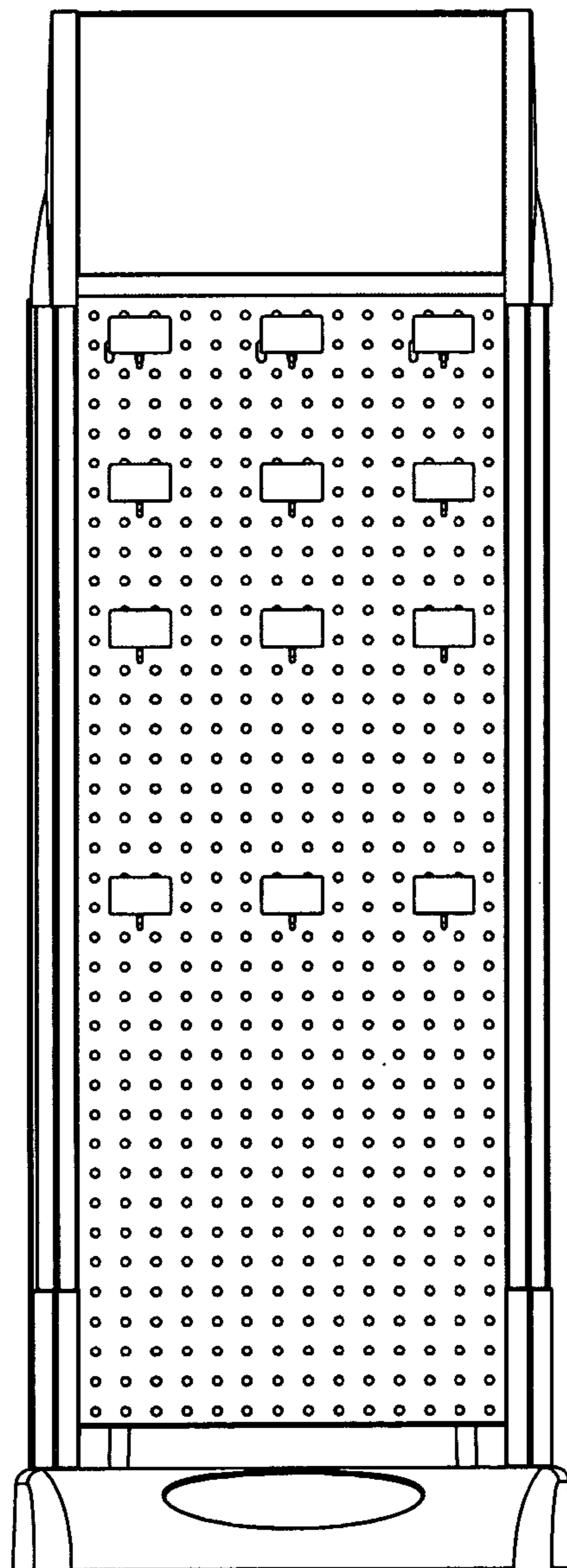


FIG. 2

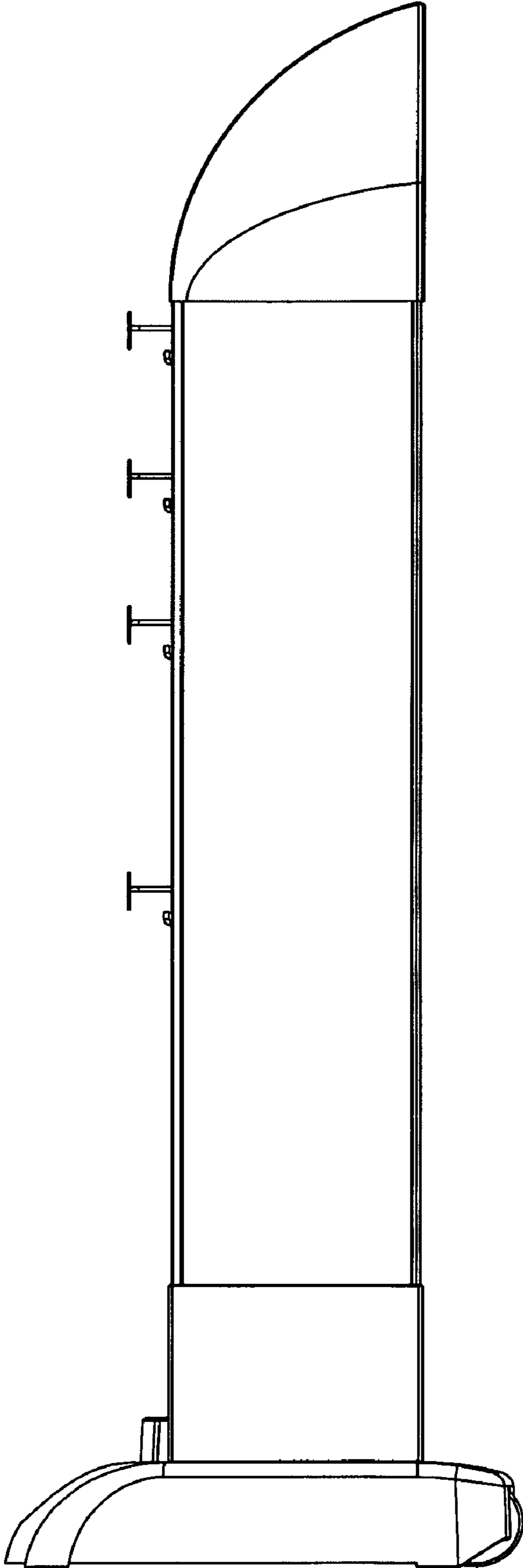


FIG. 3

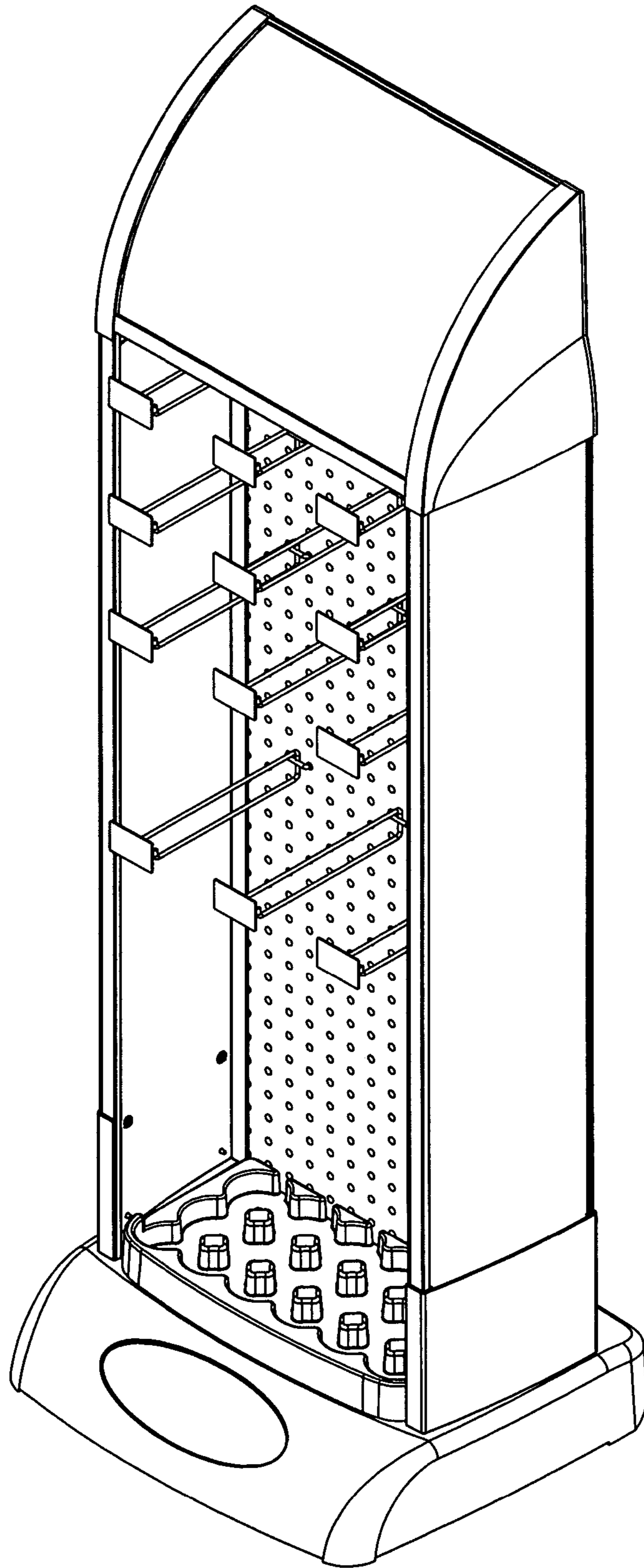


FIG. 4

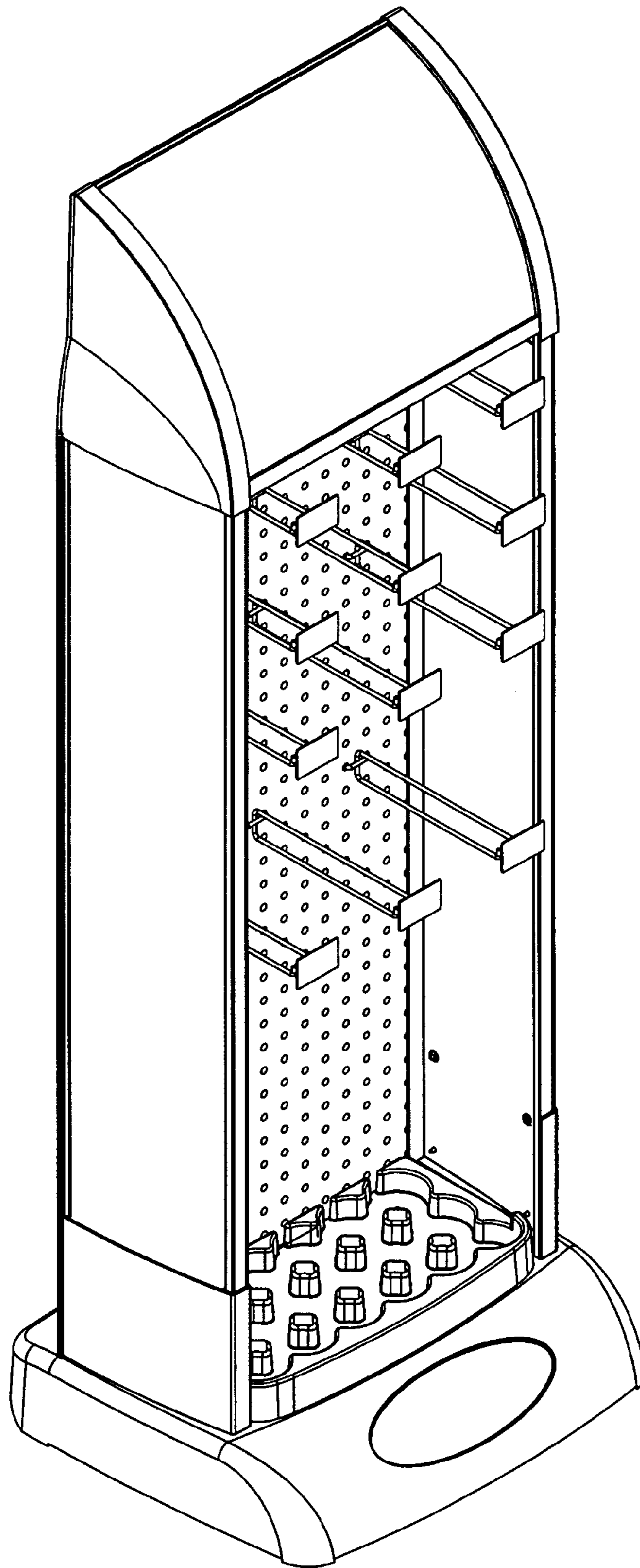


FIG. 5



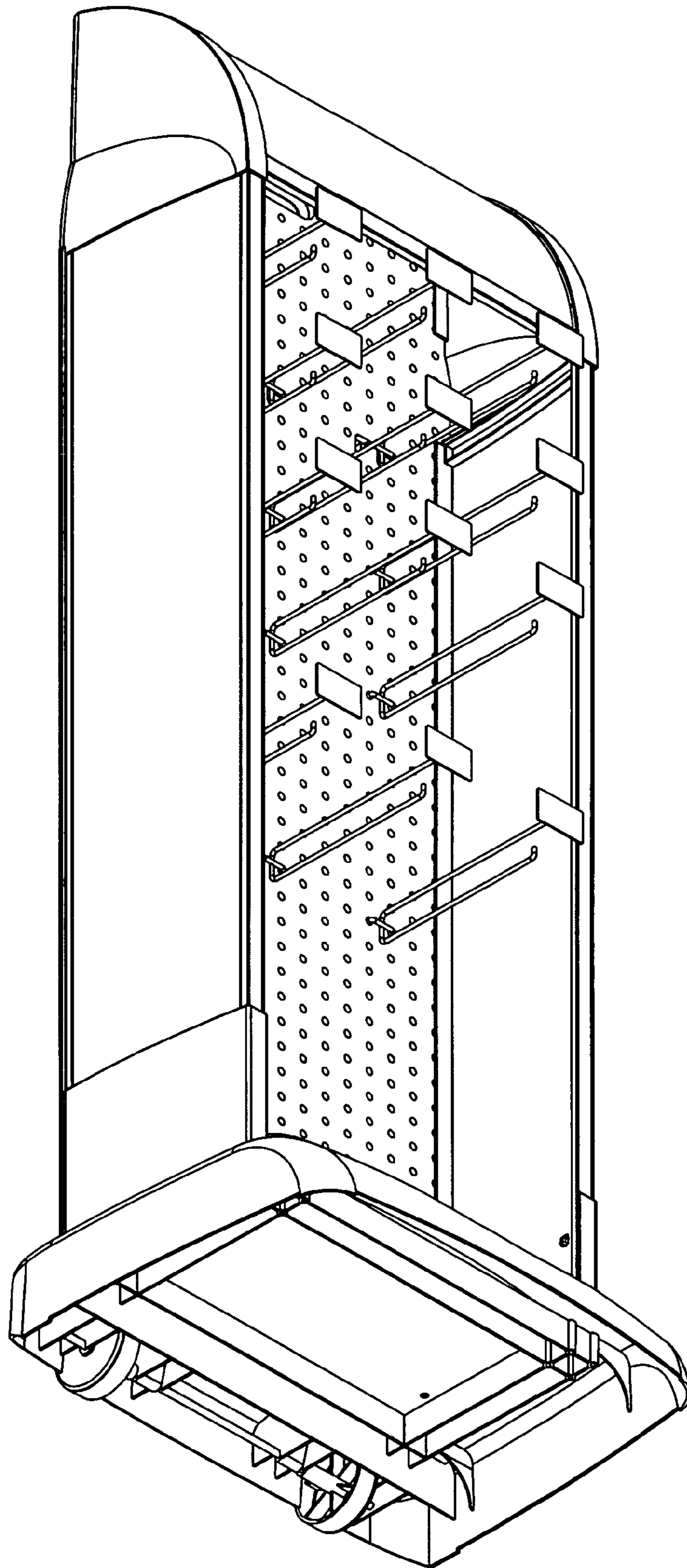


FIG. 6

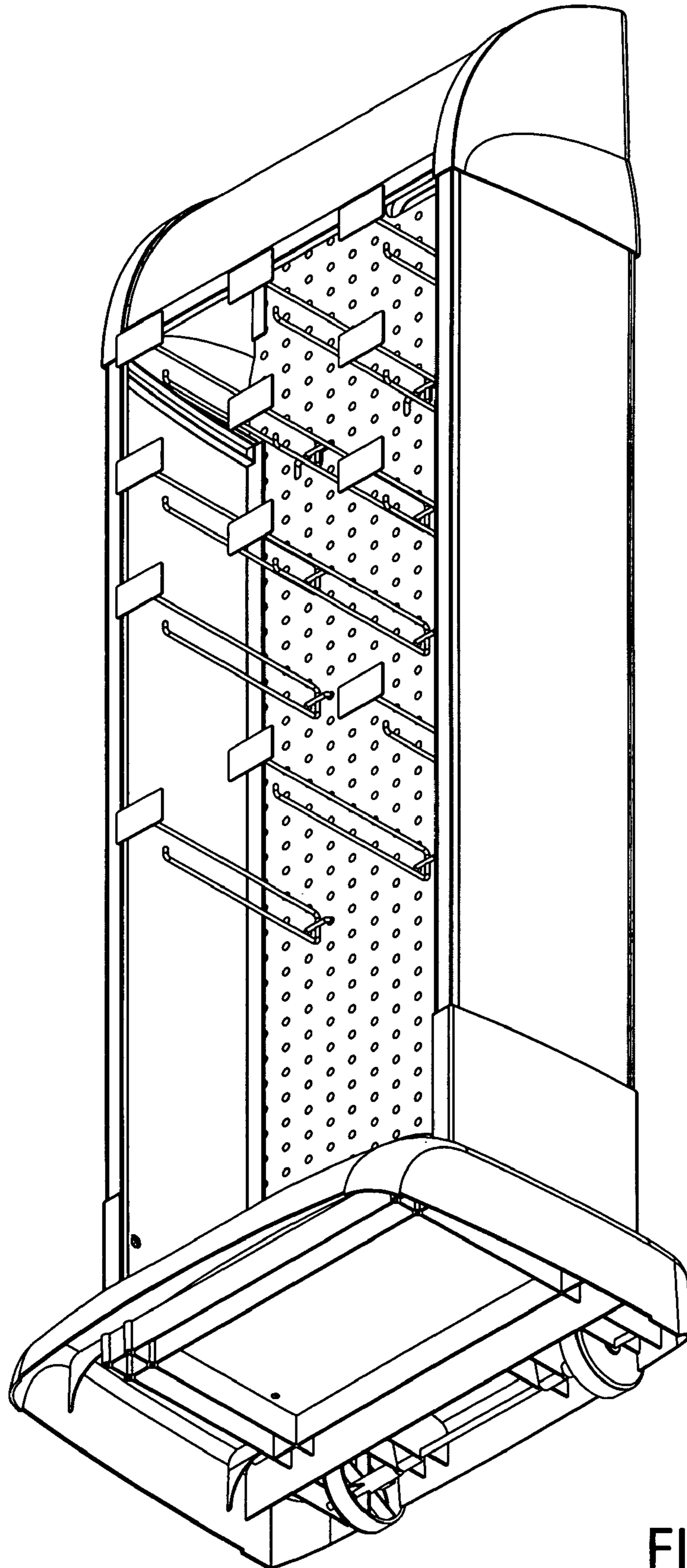


FIG. 7