



US00D605423S

(12) **United States Design Patent**
Hamilton et al.

(10) **Patent No.:** **US D605,423 S**

(45) **Date of Patent:** **** Dec. 8, 2009**

(54) **STORAGE UNIT ASSEMBLY**

(75) Inventors: **John Hamilton**, Grand Rapids, MI (US);
Bradley Youngs, Byron Center, MI
(US); **Ryan Pauly**, Grand Rapids, MI
(US)

(73) Assignee: **Steelcase Inc.**, Grand Rapids, MI (US)

(**) Term: **14 Years**

(21) Appl. No.: **29/318,656**

(22) Filed: **May 23, 2008**

(51) **LOC (9) Cl.** **06-04**

(52) **U.S. Cl.** **D6/432**

(58) **Field of Classification Search** D6/432,
D6/396-397, 436-440, 449, 468, 470, 445,
D6/559-560; D13/184; 206/372-373, 349;
312/7.2, 9.1, 107, 109, 117, 118, 204, 237,
312/249.11, 328, 223.2, 223.3; D34/14,
D34/12, 28, 19, 21; D3/294-295, 272-274
See application file for complete search history.

(56) **References Cited**

U.S. PATENT DOCUMENTS

4,654,756	A	3/1987	Wilson et al.	
D356,908	S *	4/1995	Johansson	D6/470
5,451,101	A	9/1995	Ellison et al.	
5,467,703	A	11/1995	Crinion	
D386,626	S *	11/1997	Yemini	D6/445
5,906,420	A	5/1999	Rozier, Jr. et al.	
D434,579	S *	12/2000	Rabb	D6/432
6,241,329	B1	6/2001	Nielsen	

D452,392	S *	12/2001	Meder et al.	D6/432
D457,754	S *	5/2002	Fiscus et al.	D6/466
6,427,608	B1	8/2002	Crinion	
D505,261	S *	5/2005	Richardson et al.	D3/273
D546,023	S *	7/2007	Hawes	D34/38
D580,653	S *	11/2008	Robaina	D3/272
D591,079	S *	4/2009	Singler et al.	D6/432
D595,517	S *	7/2009	Fiori	D6/436

* cited by examiner

Primary Examiner—Caron Veynar

Assistant Examiner—Abraham Bahta

(74) *Attorney, Agent, or Firm*—Price, Heneveld, Cooper,
DeWitt & Litton, LLP

(57) **CLAIM**

We claim the ornamental design for a storage unit assembly,
as shown.

DESCRIPTION

FIG. 1 is a front, top and side perspective view of the storage
unit assembly showing my new design;

FIG. 2 is a front elevational view thereof;

FIG. 3 is a rear elevational view thereof;

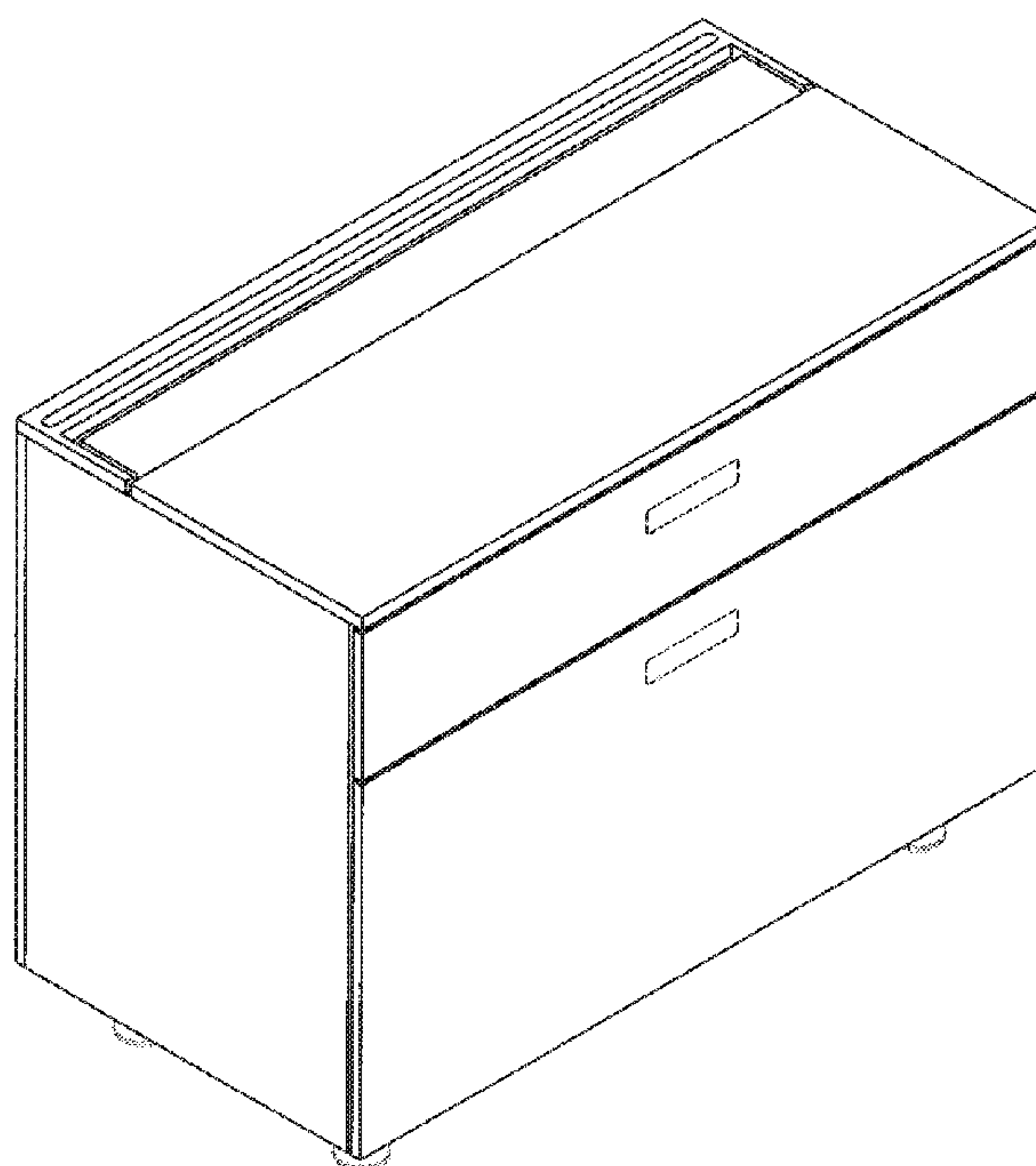
FIG. 4 is a side elevational view, the opposite side being a
mirror image thereof;

FIG. 5 is a top plan view thereof; and,

FIG. 6 is a bottom plan view thereof.

The dashed lines within the figures are for illustrative pur-
poses only and form no part of the claimed invention.

1 Claim, 6 Drawing Sheets



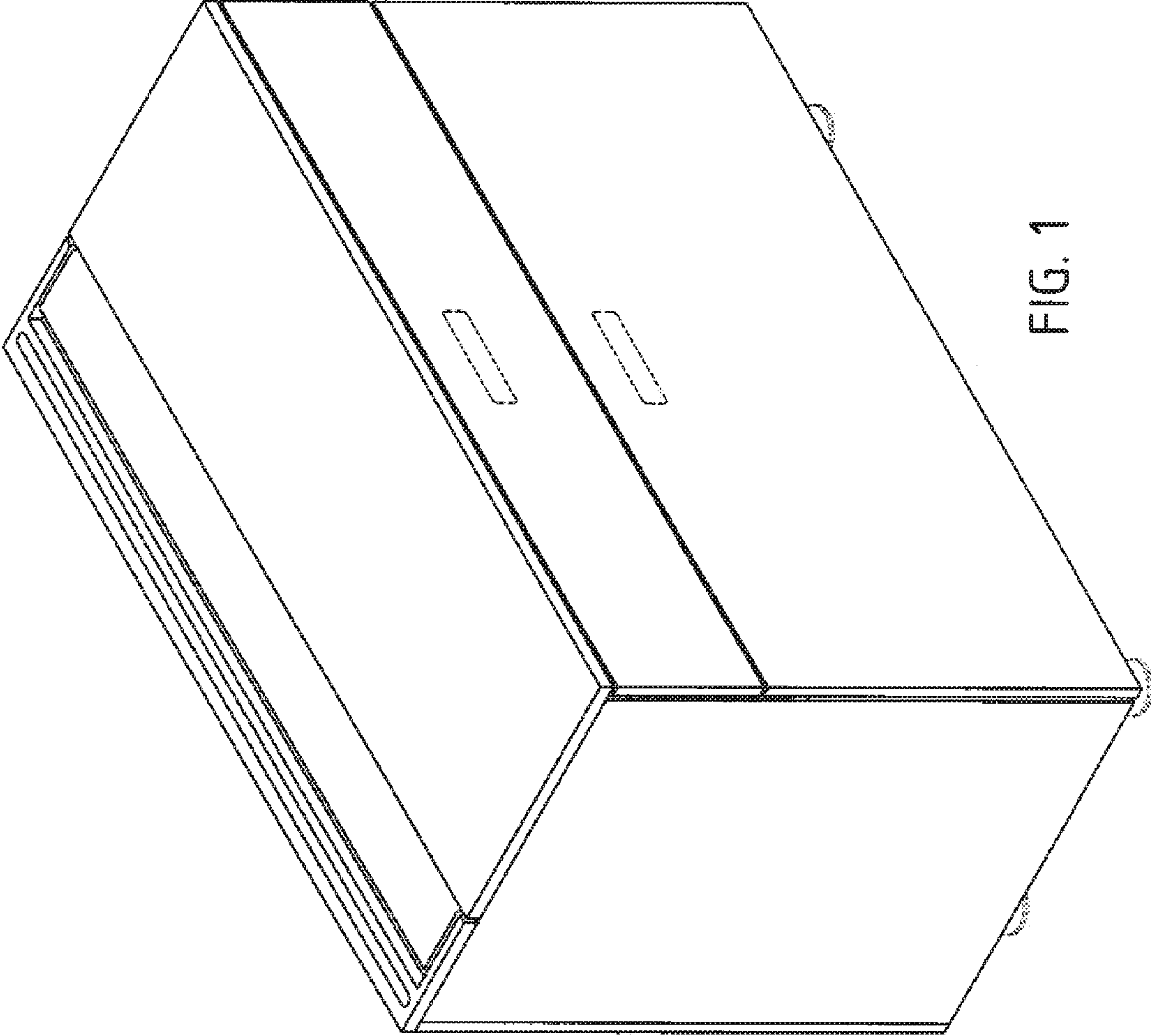


FIG. 1

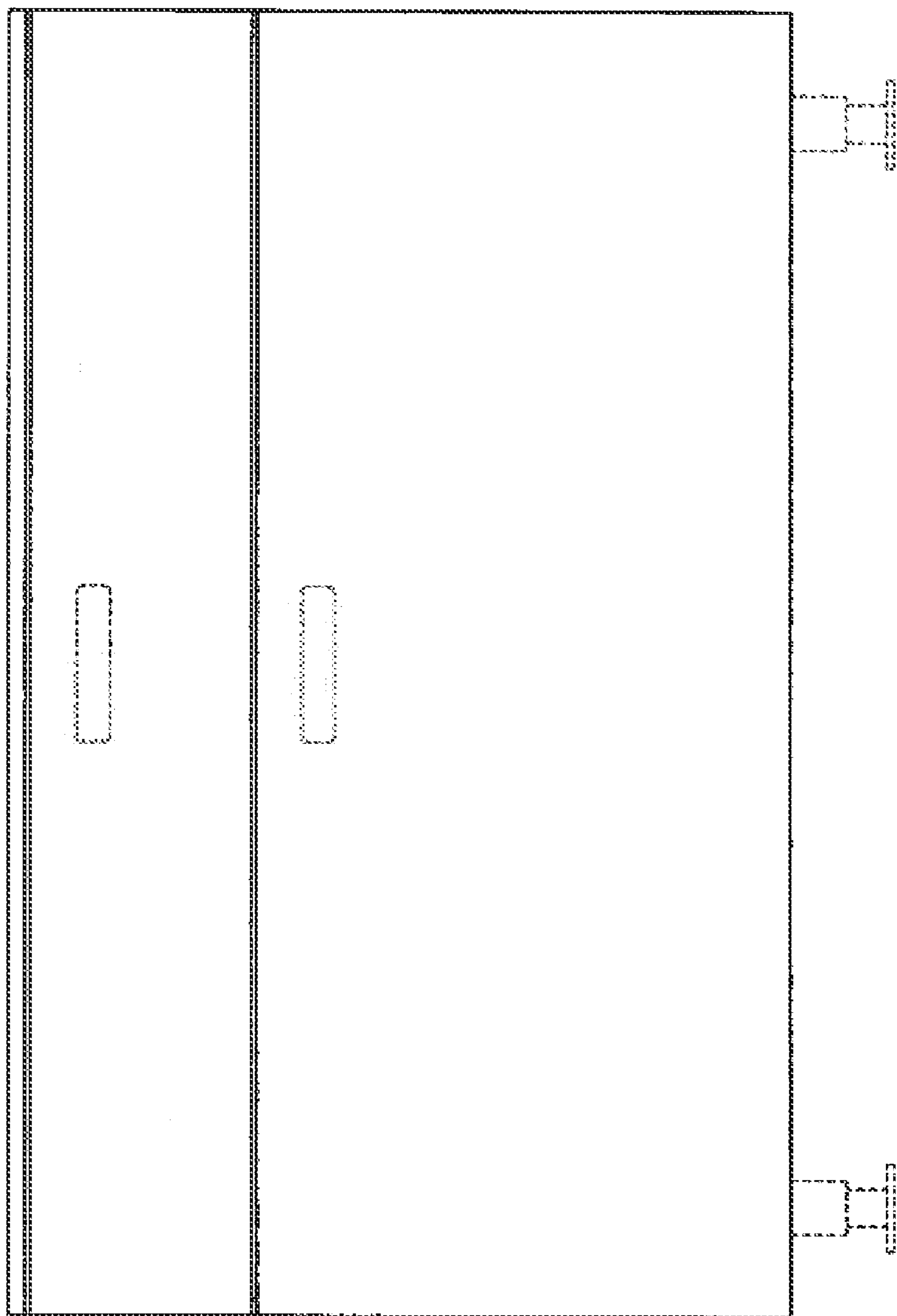


FIG. 2

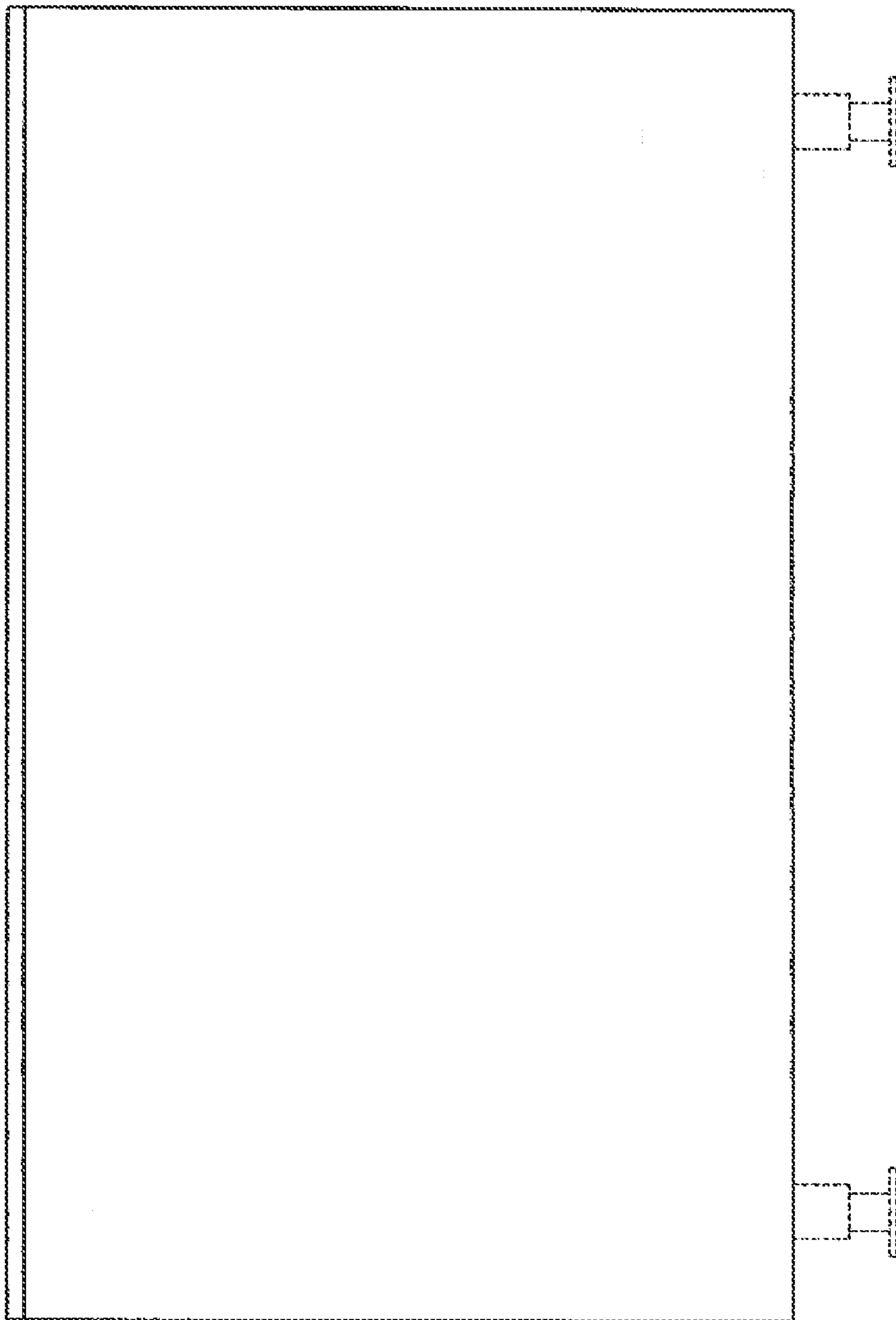


FIG. 3

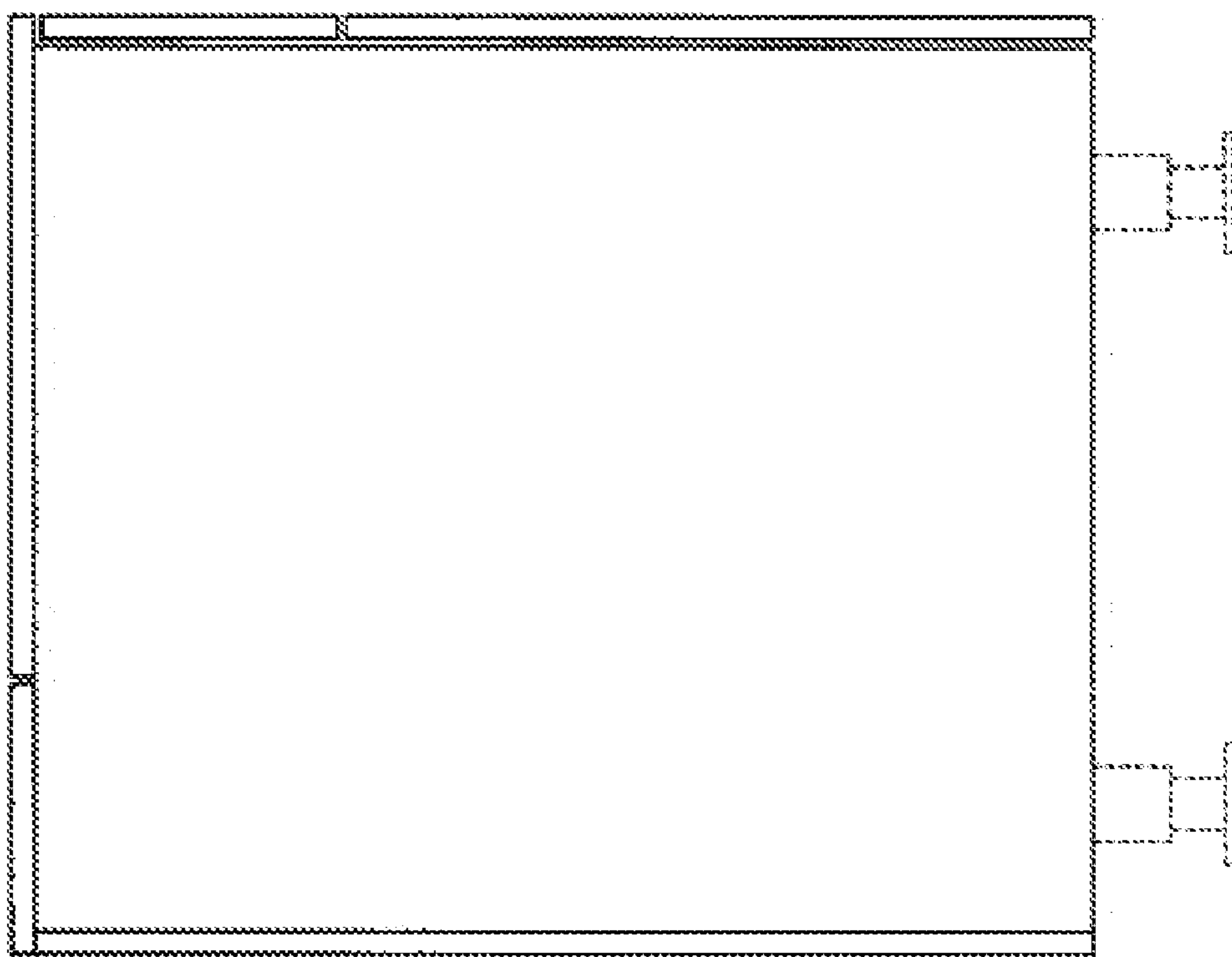


FIG. 4

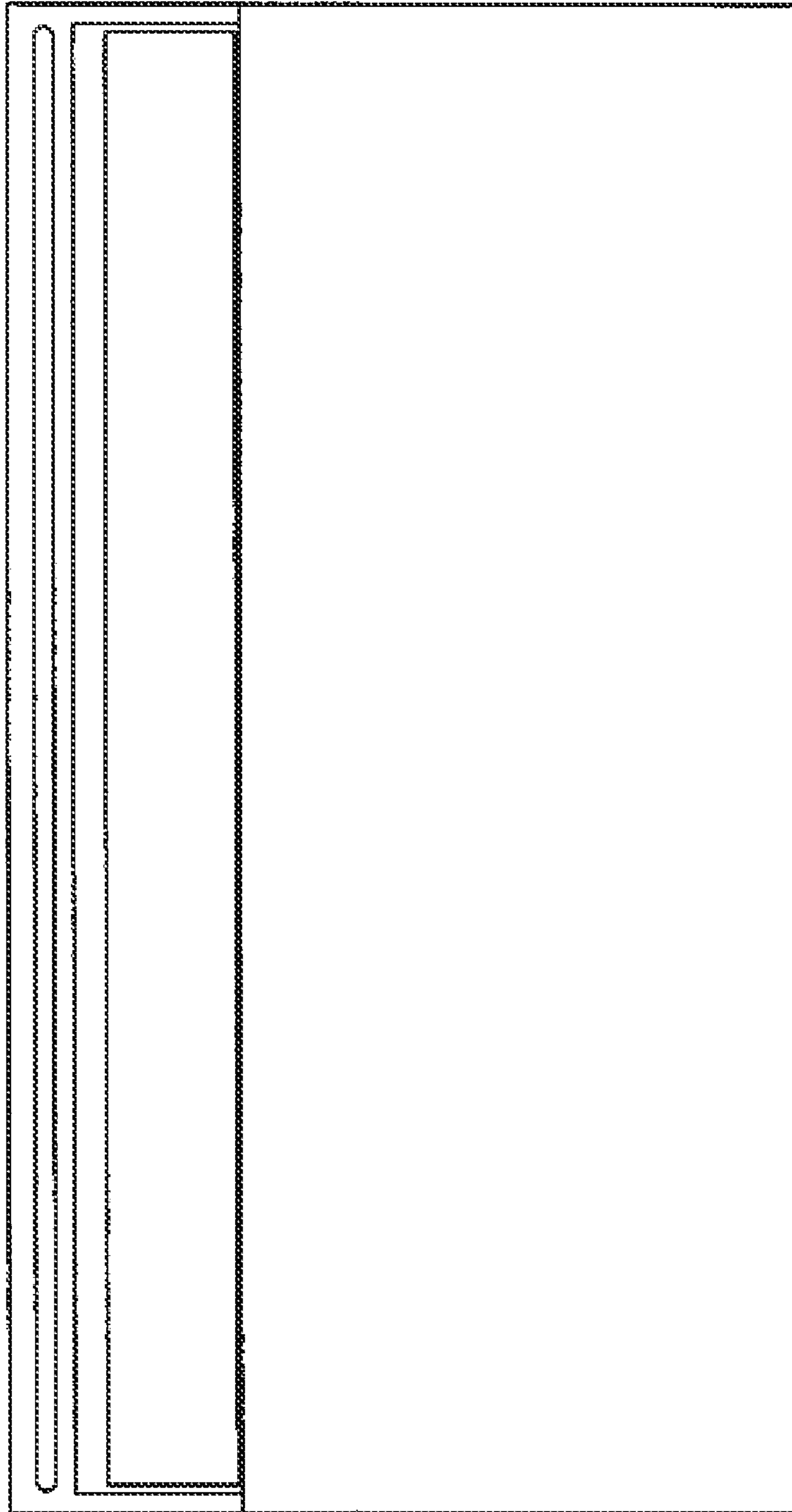


FIG. 5

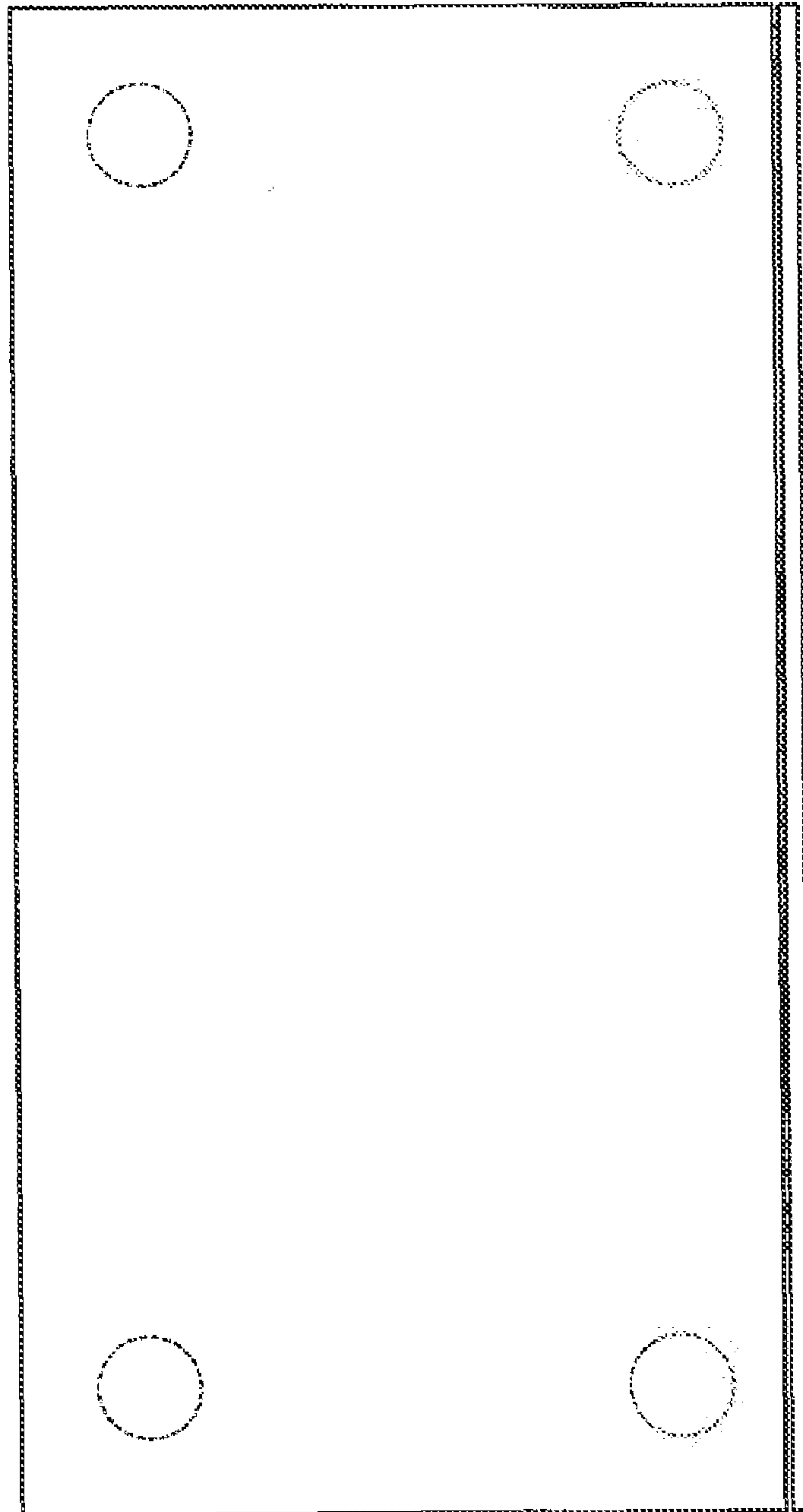


FIG. 6