



US00D605420S

(12) **United States Design Patent**  
**Krauss et al.**

(10) **Patent No.:** **US D605,420 S**  
(45) **Date of Patent:** **\*\* Dec. 8, 2009**

(54) **VEHICLE SEAT**

(75) Inventors: **Kevin M. Krauss**, Maynard, MA (US);  
**Michael E. Laude**, Upton, MA (US);  
**David H. Pitcher**, Worcester, MA (US);  
**Edward Stulik**, Roseville, CA (US)

(73) Assignee: **Bose Corporation**, Framingham, MA (US)

(\*\*) Term: **14 Years**

(21) Appl. No.: **29/333,655**

(22) Filed: **Mar. 12, 2009**

(51) **LOC (9) Cl.** ..... **06-01**

(52) **U.S. Cl.** ..... **D6/356**

(58) **Field of Classification Search** ..... D6/334-336,  
D6/356, 367, 368, 374, 375, 500-502; 297/217.1,  
297/232, 344.21, 344.22, 344.23, 344.24,  
297/353, 354.1, 452.21, 452.24, 452.25,  
297/452.26, 452.29, 452.34, 452.35

See application file for complete search history.

(56) **References Cited**

**U.S. PATENT DOCUMENTS**

D371,465 S \* 7/1996 Stulik ..... D6/356  
6,027,170 A \* 2/2000 Benz et al. .... 297/344.21  
6,332,648 B1 \* 12/2001 Aucheron ..... 297/344.24

D453,078 S \* 1/2002 Yamazaki et al. .... D6/356  
D480,570 S \* 10/2003 Gryp et al. .... D6/356  
D536,545 S \* 2/2007 Young ..... D6/356  
7,334,839 B1 \* 2/2008 Malerba ..... 297/217.1  
D574,619 S \* 8/2008 Maezono ..... D6/356  
D577,499 S \* 9/2008 Tsay et al. .... D6/356

\* cited by examiner

*Primary Examiner*—Mimosa De

(57) **CLAIM**

The ornamental design for a vehicle seat, substantially as shown and described.

**DESCRIPTION**

FIGS. 1 and 2 are perspective views of a vehicle seat.

FIG. 3 is a front view of the vehicle seat.

FIG. 4 is a left side view of the vehicle seat.

FIG. 5 is a rear view of the vehicle seat.

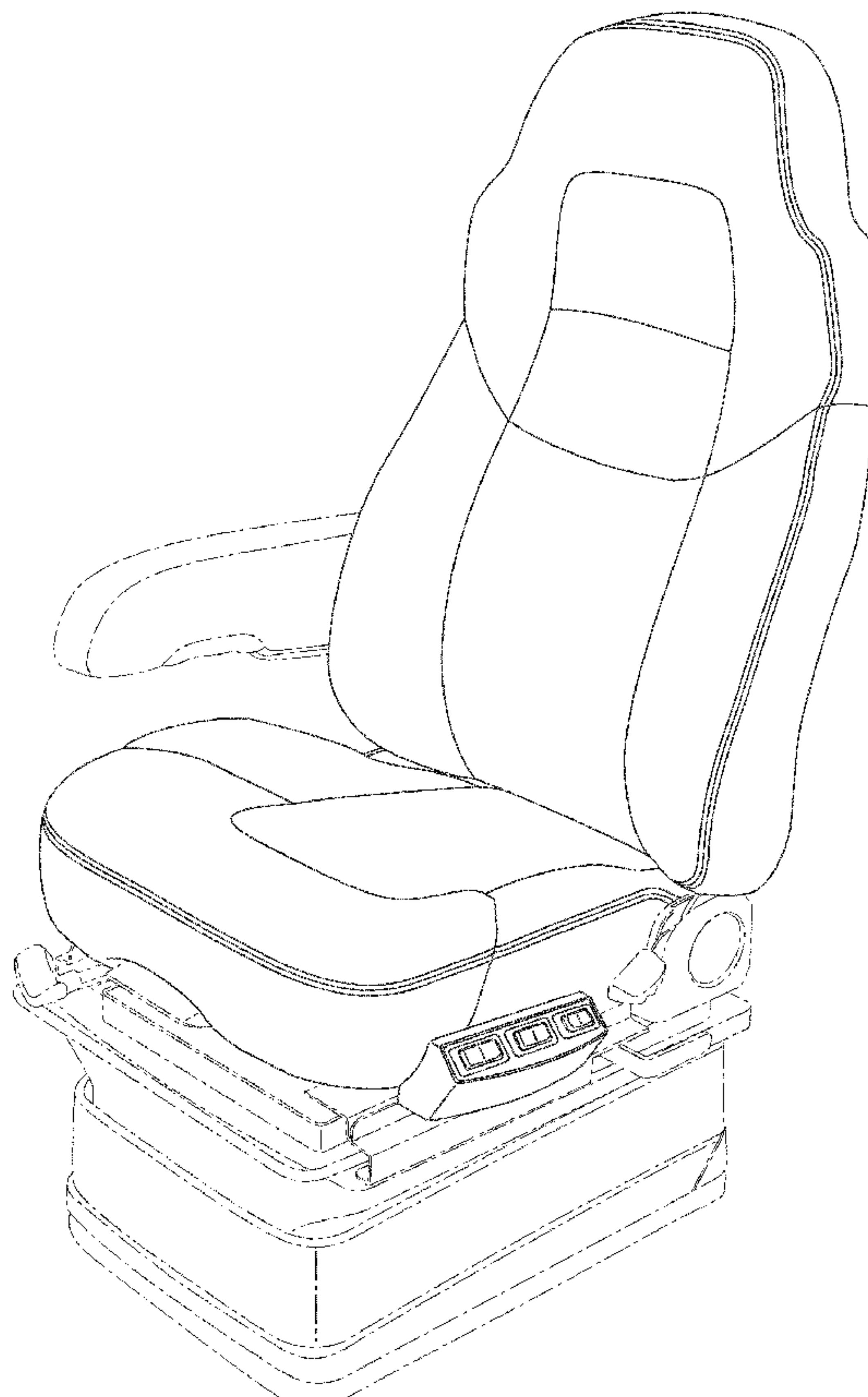
FIG. 6 is a right side view of the vehicle seat.

FIG. 7 is a top view of the vehicle seat; and,

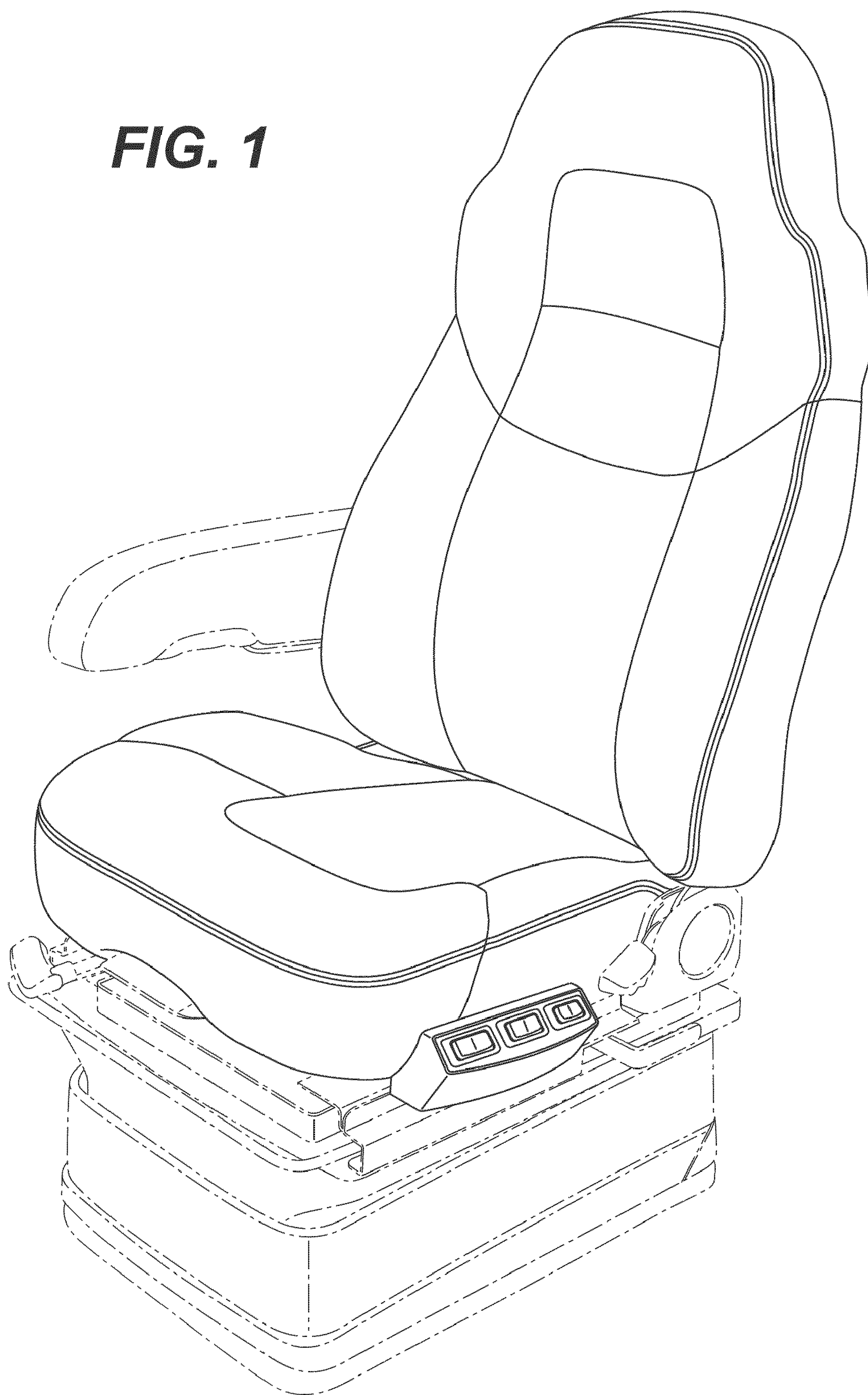
FIG. 8 is a bottom view of the vehicle seat.

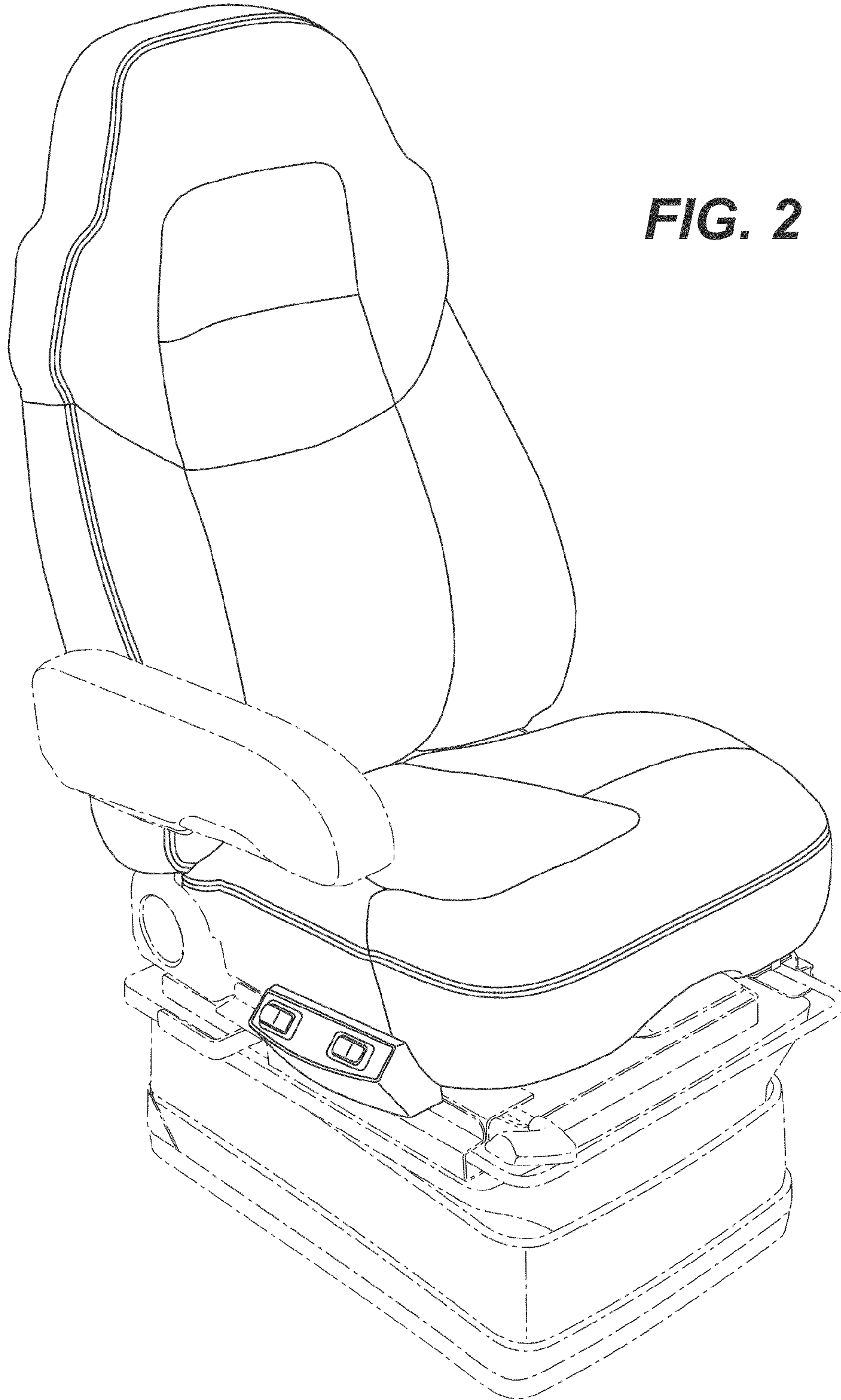
The dotted line portions of the drawing represent environmental structure only and do not form part of the claimed design.

**1 Claim, 8 Drawing Sheets**



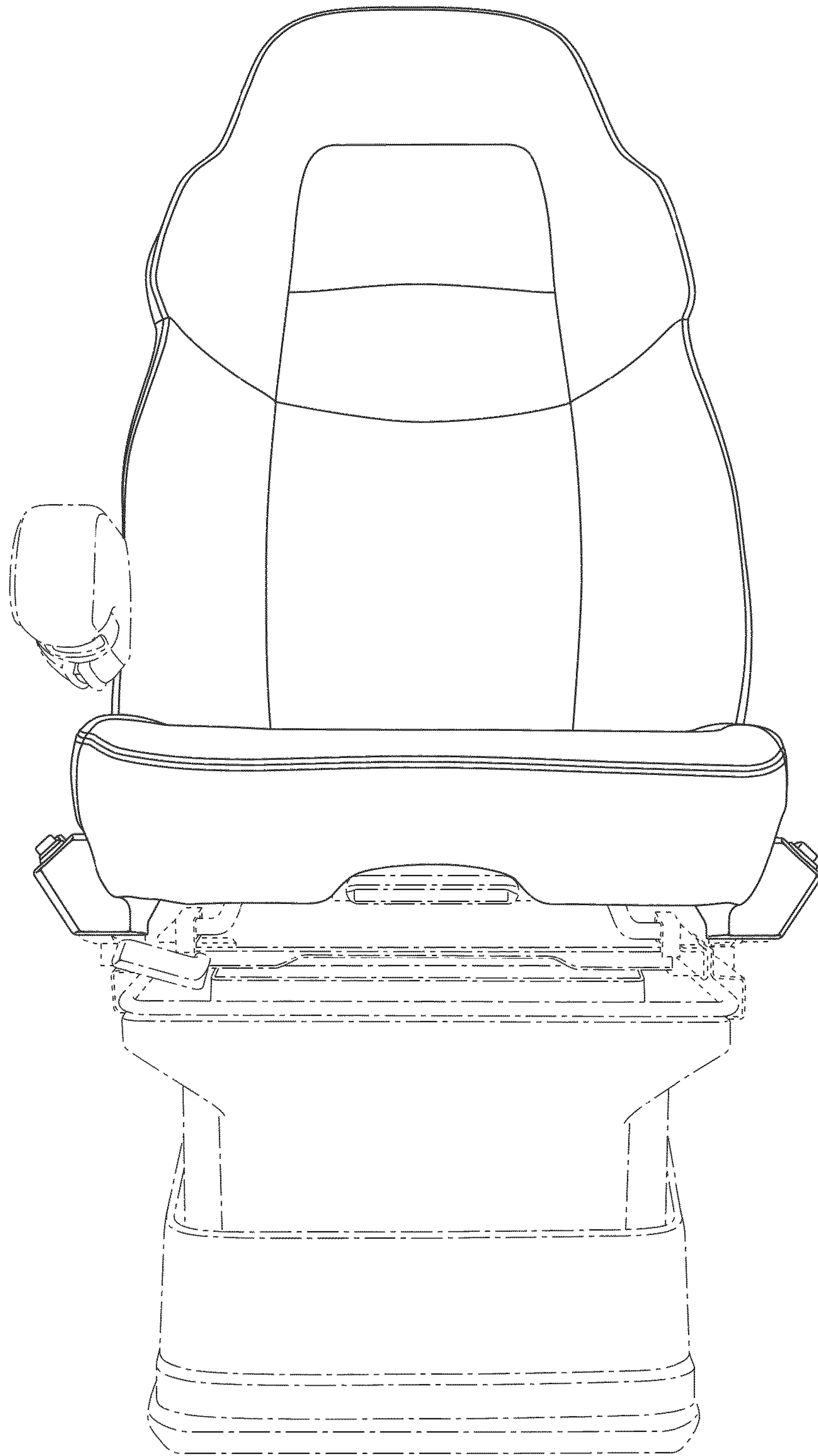
**FIG. 1**



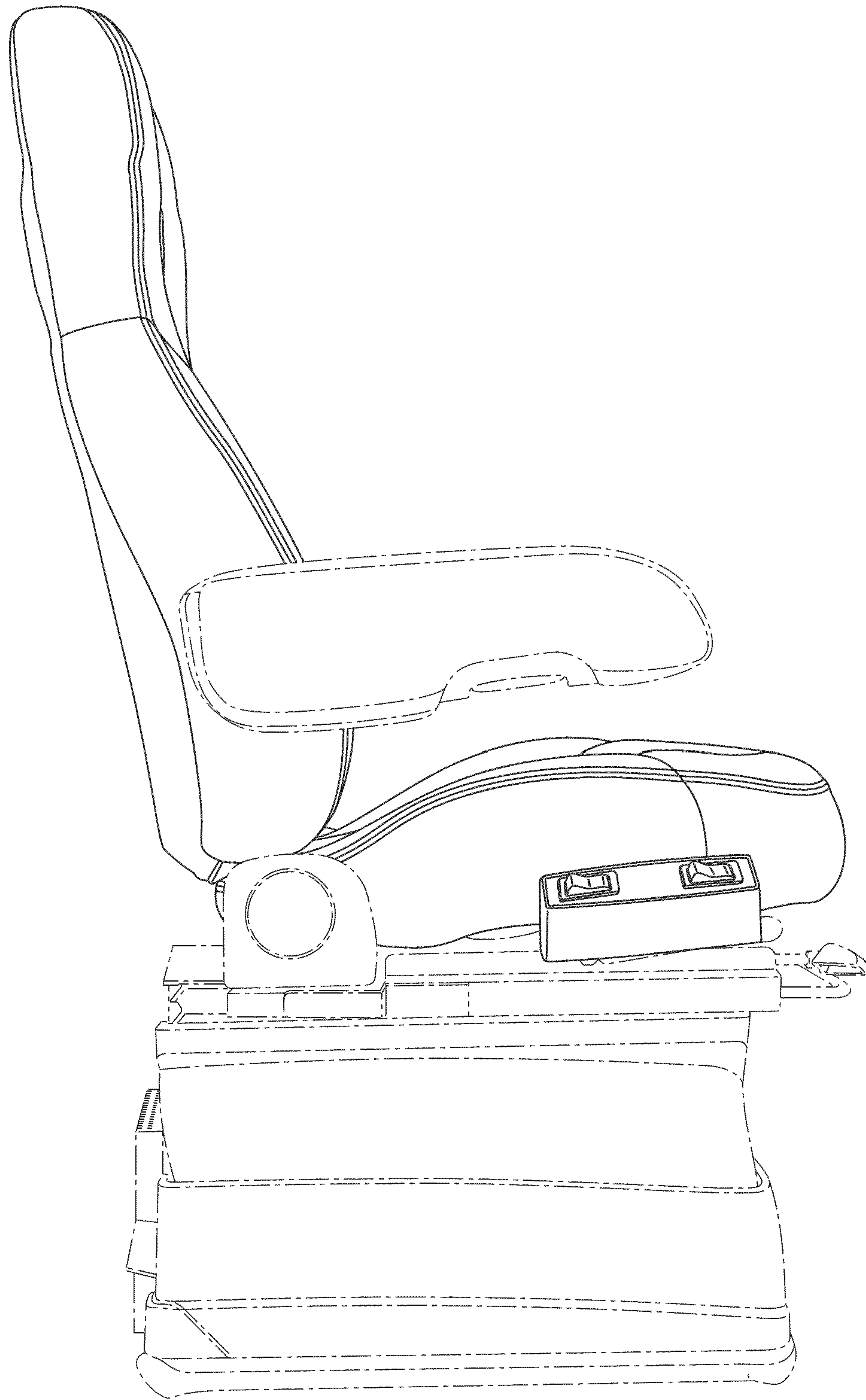


**FIG. 2**

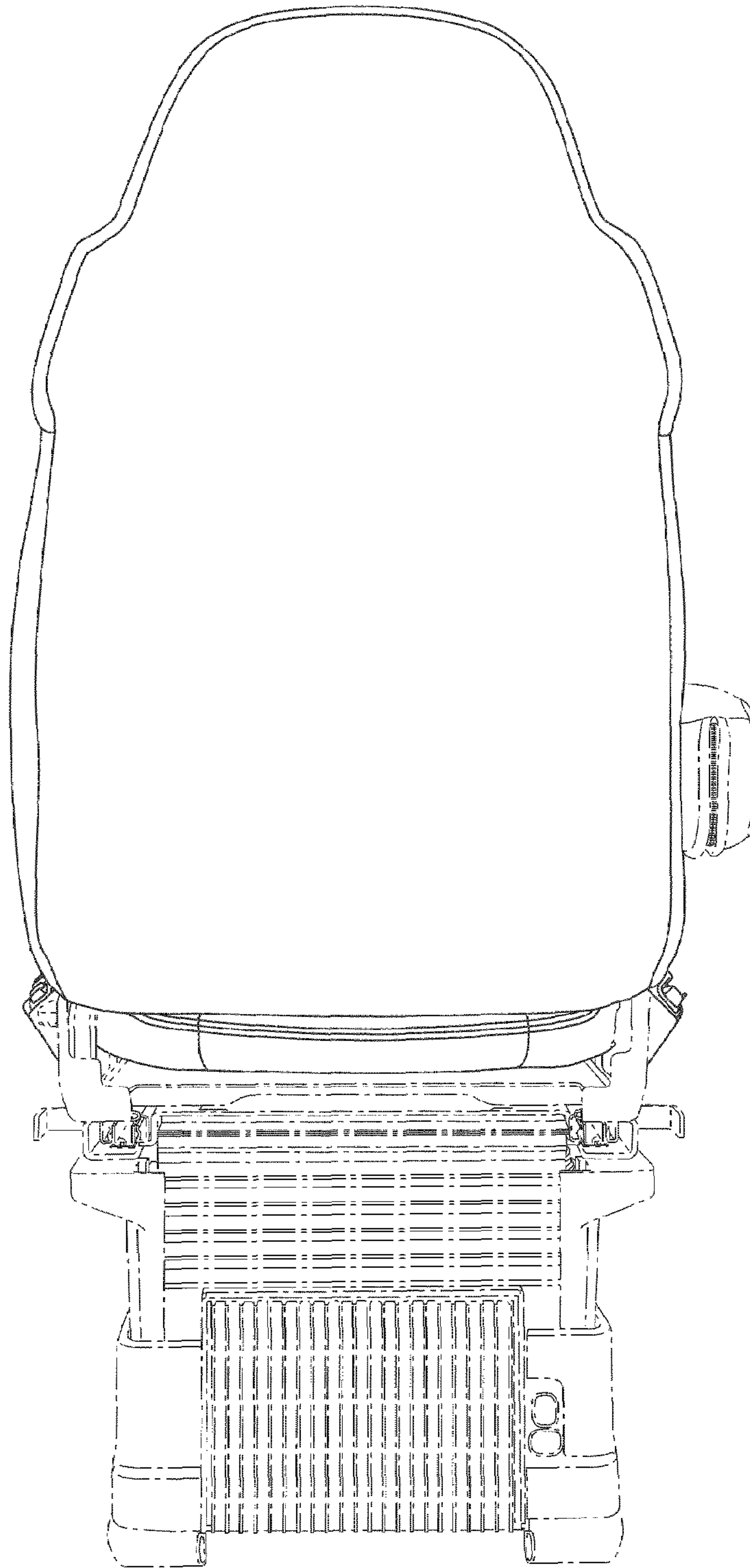




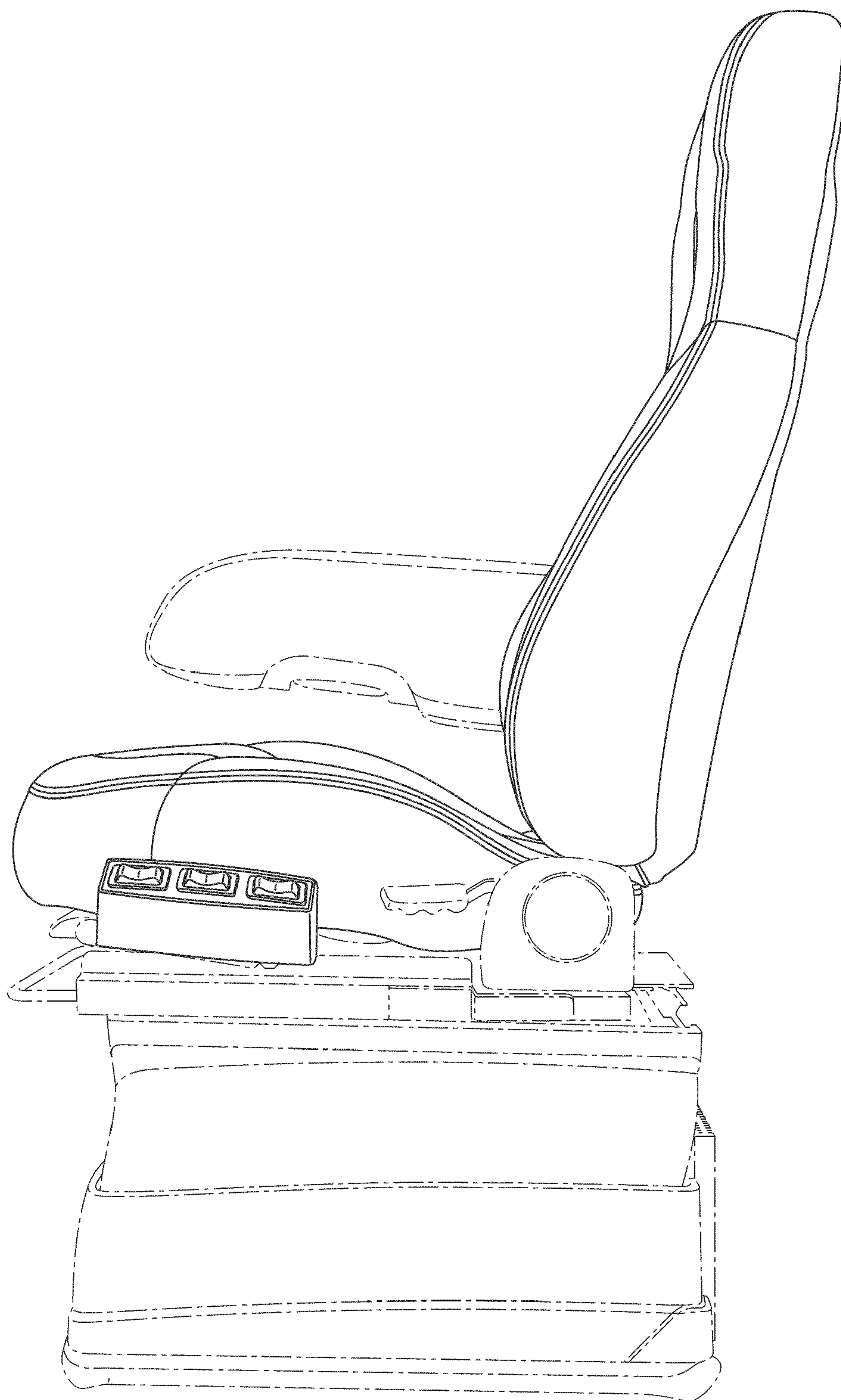
**FIG. 3**



**FIG. 4**

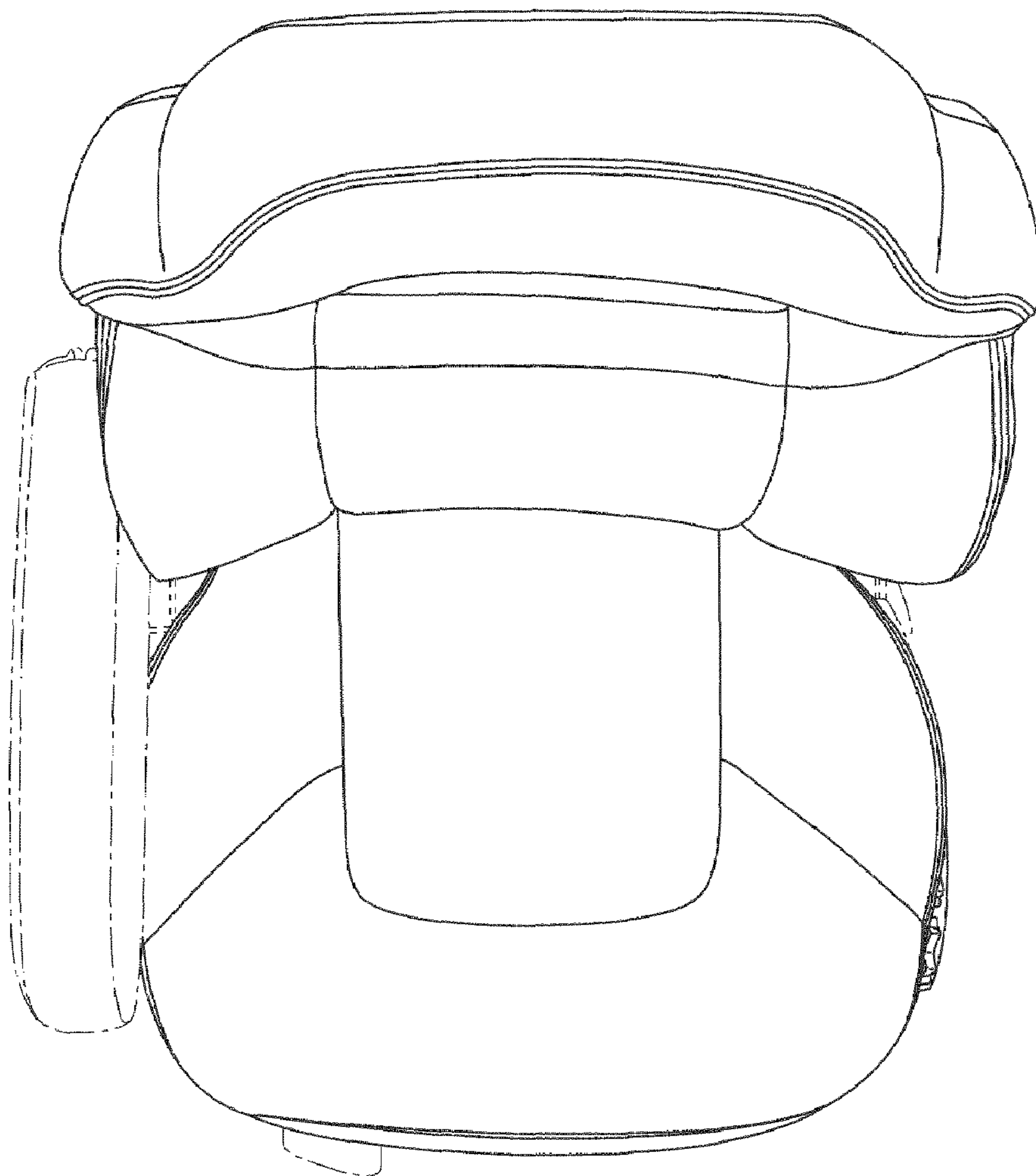


**FIG. 5**



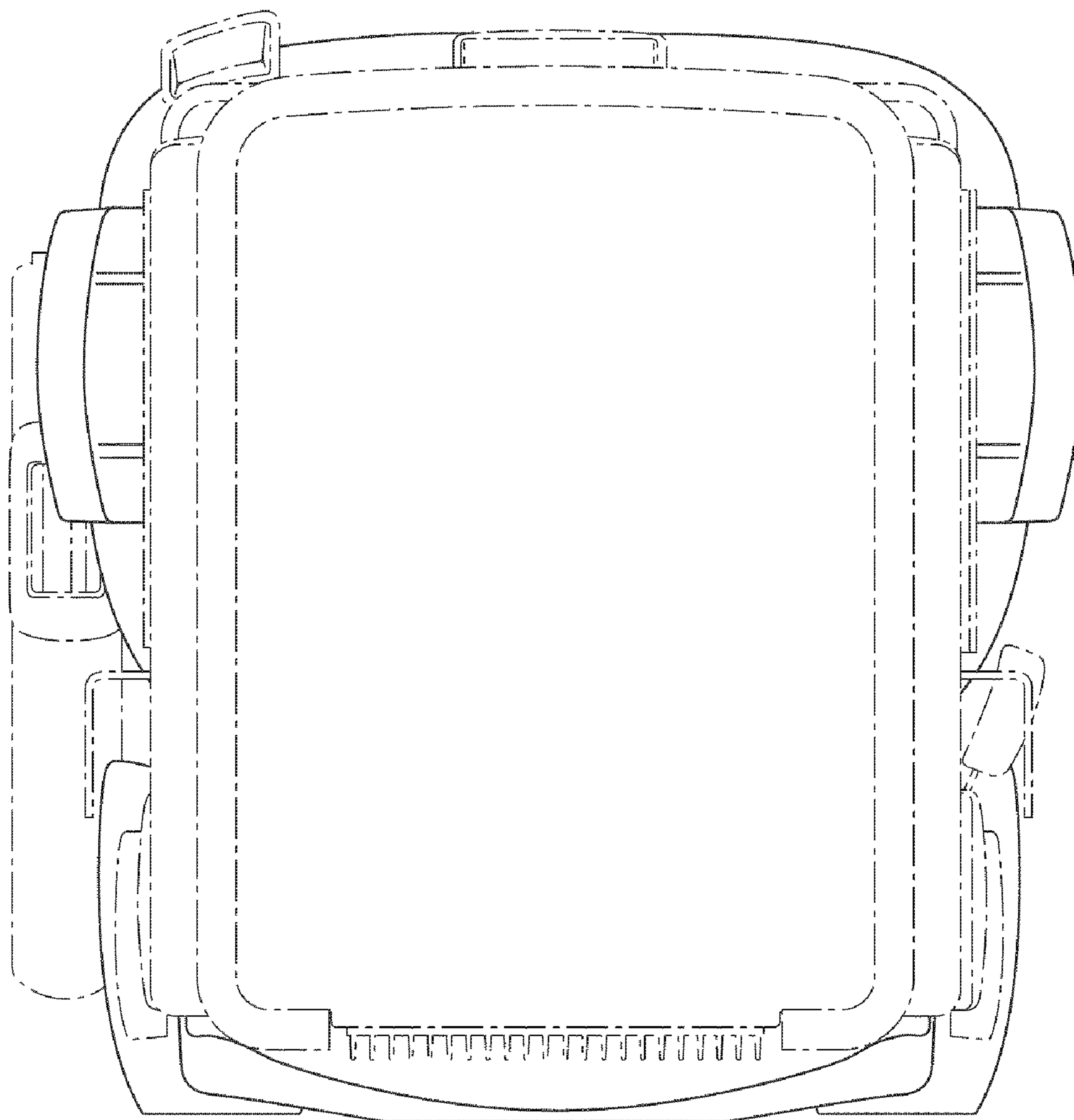
**FIG. 6**





**FIG. 7**





**FIG. 8**