



US00D605416S

(12) **United States Design Patent**  
**Warren et al.**

(10) **Patent No.:** **US D605,416 S**

(45) **Date of Patent:** **\*\* Dec. 8, 2009**

(54) **CLOTHES HANGER**

(75) Inventors: **Michael James Warren**, London (GB);  
**Andrew Grant Niccol**, London (GB)

(73) Assignee: **Braitrim (UK) Limited**, London (GB)

(\*\*) Term: **14 Years**

(21) Appl. No.: **29/327,400**

(22) Filed: **Nov. 5, 2008**

(30) **Foreign Application Priority Data**

May 7, 2008 (EM) ..... 000933502-0023  
May 7, 2008 (EM) ..... 000933502-0024  
Oct. 8, 2008 (EM) ..... 001018394-0005

(51) **LOC (9) Cl.** ..... **06-08**

(52) **U.S. Cl.** ..... **D6/328**

(58) **Field of Classification Search** ..... D6/315,  
D6/318, 326, 328; 211/1, 13.1, 85.3; 223/85-98  
See application file for complete search history.

(56) **References Cited**

**U.S. PATENT DOCUMENTS**

D454,257 S \* 3/2002 Hunt ..... D6/328  
D466,311 S \* 12/2002 Hawkins ..... D6/328  
D466,704 S \* 12/2002 Hawkins ..... D6/328

D466,705 S \* 12/2002 Hawkins ..... D6/328  
D518,838 S \* 4/2006 Singleton ..... D6/326  
D518,839 S \* 4/2006 Singleton ..... D6/326  
D569,631 S \* 5/2008 Hansen ..... D6/326  
D586,568 S \* 2/2009 Jones ..... D6/326

\* cited by examiner

*Primary Examiner*—Stella M Reid

*Assistant Examiner*—Shanda C Hill

(74) *Attorney, Agent, or Firm*—Scully, Scott, Murphy & Presser P.C.

(57) **CLAIM**

The ornamental design for a clothes hanger, as shown and described.

**DESCRIPTION**

FIG. 1 is a front view of the clothes hanger showing my new and ornamental design;

FIG. 2 is a right side view thereof;

FIG. 3 is a left side view thereof;

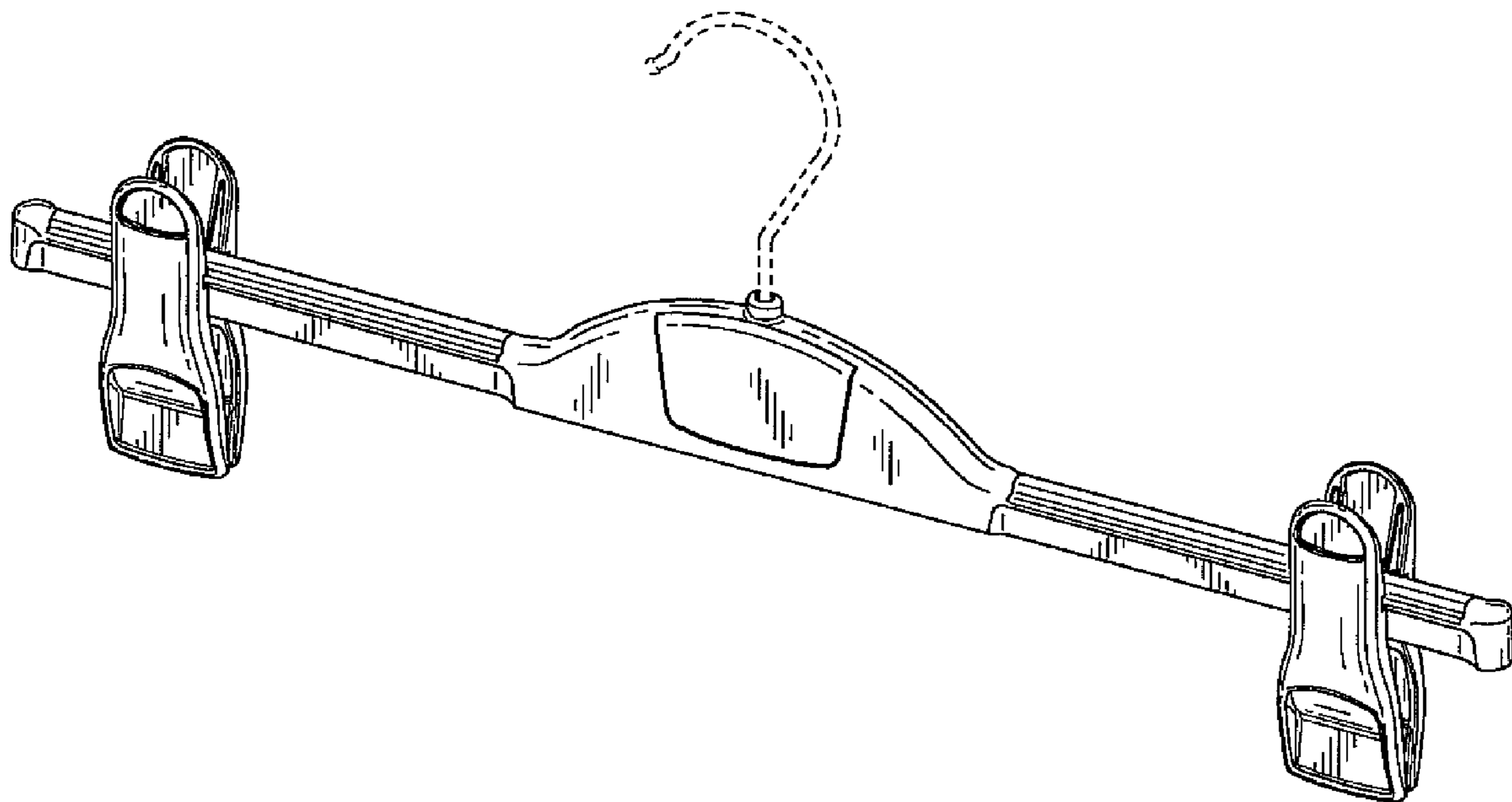
FIG. 4 is a top plan view thereof;

FIG. 5 is a bottom plan view thereof;

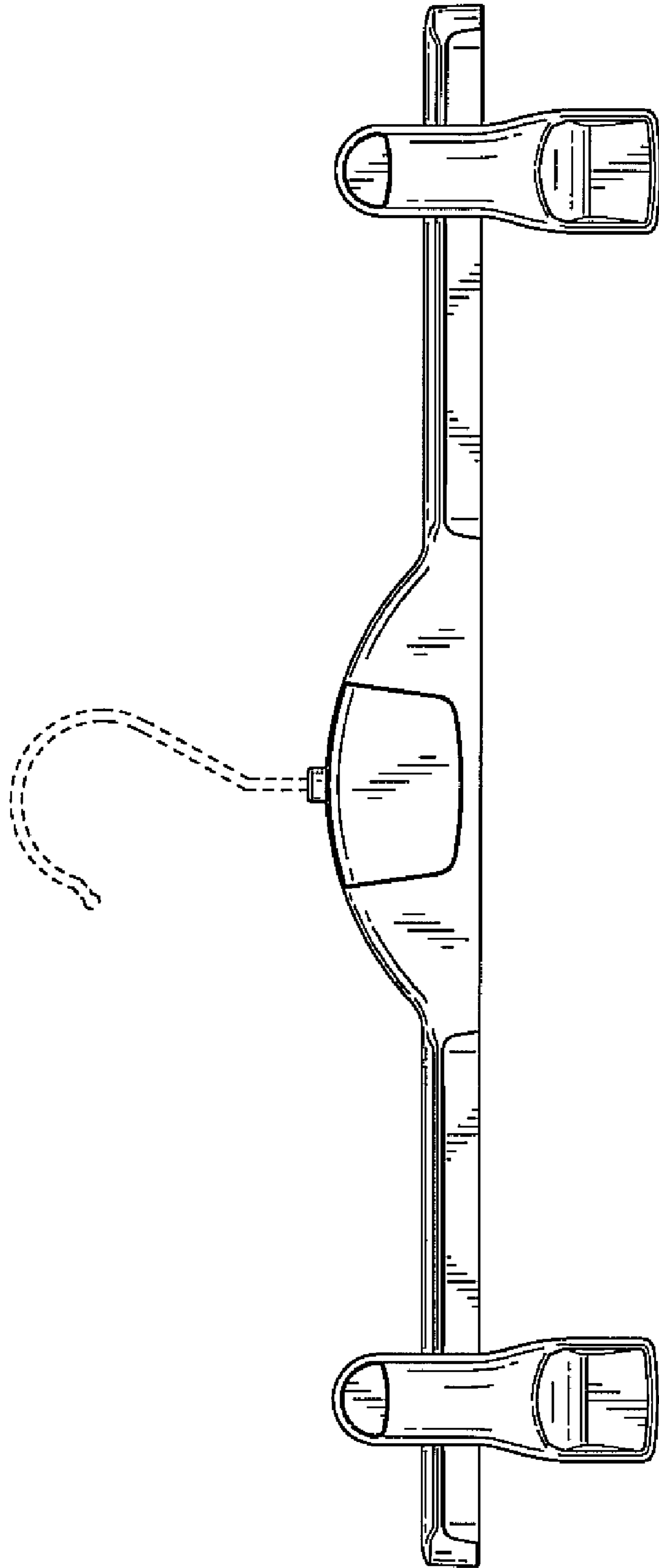
FIG. 6 is a rear view thereof; and,

FIG. 7 is a front, side perspective thereof.

**1 Claim, 7 Drawing Sheets**



**FIG. 1**



**FIG. 2**



**FIG. 3**



FIG. 4

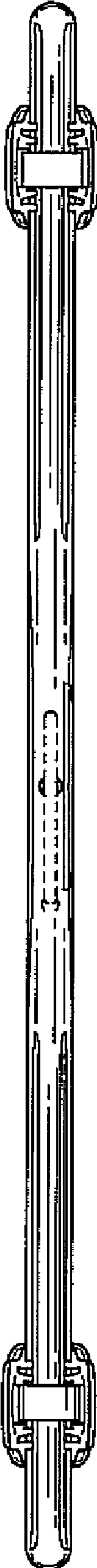


FIG. 5

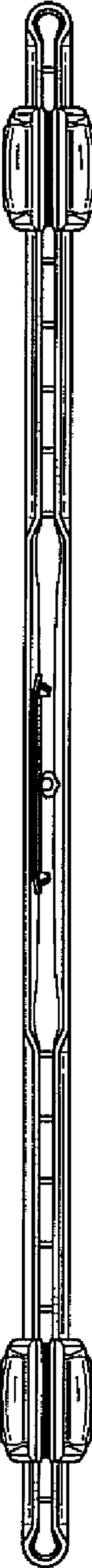


FIG. 6

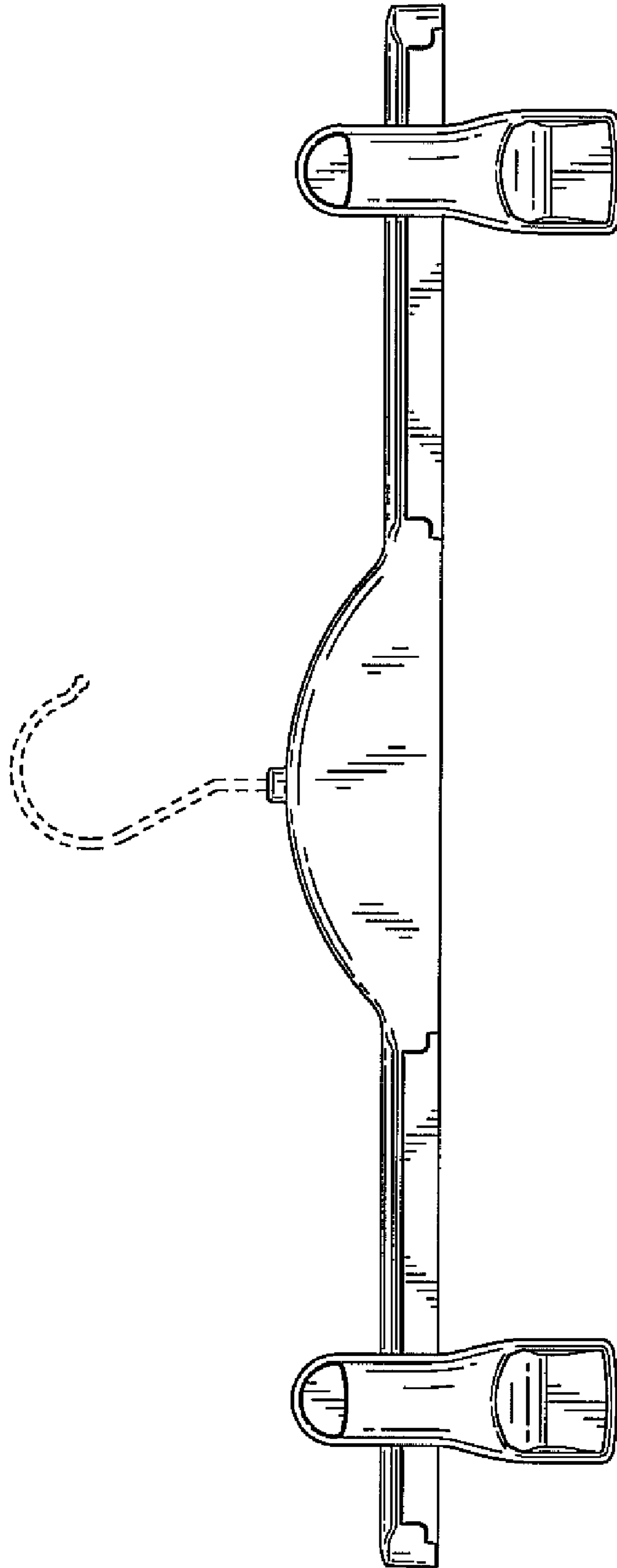


FIG. 7

