



US00D605414S

(12) **United States Design Patent**  
**Chan et al.**

(10) **Patent No.:** **US D605,414 S**  
(45) **Date of Patent:** **\*\* Dec. 8, 2009**

(54) **DEVICE WITH AUTOMATICALLY MOVABLE AND ADJUSTABLE MIRROR**

(75) Inventors: **Sik Leung Chan**, Tsuen Wan (HK);  
**Kunio Okamoto**, Utsunomiya (JP)

(73) Assignee: **C.C. & L Company Limited**, Tsuen Wan, N.T. (HK)

(\*\*) Term: **14 Years**

(21) Appl. No.: **29/313,505**

(22) Filed: **Jan. 13, 2009**

(51) **LOC (9) Cl.** ..... **06-07**

(52) **U.S. Cl.** ..... **D6/312**

(58) **Field of Classification Search** ..... D6/300-314,  
D6/444; 40/700, 711, 714, 715, 716, 719,  
40/720, 721, 722, 735, 738, 744, 745, 754,  
40/765, 768, 769, 790, 798, 597; D20/29-32,  
D20/10; D11/131, 133, 134, 135; 359/838,  
359/871, 872; 248/466-467; D28/83

See application file for complete search history.

(56) **References Cited**

U.S. PATENT DOCUMENTS

D483,575 S *	12/2003	Chan	.....	D6/310
D488,937 S *	4/2004	Gillet	.....	D6/471
D506,319 S *	6/2005	Chan	.....	D6/310

\* cited by examiner

*Primary Examiner*—Caron Veynar  
*Assistant Examiner*—Sydney R Buffalow  
(74) *Attorney, Agent, or Firm*—Daniel P. Burke & Associates  
PLLC

(57) **CLAIM**

The ornamental design for a device with automatically movable and adjustable mirror, as shown and described.

**DESCRIPTION**

FIG. 1 is a top perspective view of a device showing our new design in a closed position;

FIG. 2 is a rear view of the device of FIG. 1 in a closed position;

FIG. 3 is a front view of the device of FIG. 1 in a closed position;

FIG. 4 is a left side view of the device of FIG. 1 in a closed position;

FIG. 5 is a right side view of the device of FIG. 1 in a closed position;

FIG. 6 is a top view of the device of FIG. 1 in a closed position;

FIG. 7 is a bottom view of the device of FIG. 1 in a closed position;

FIG. 8 is a top perspective view of the device of FIG. 1 in an open position;

FIG. 9 is a top perspective view of the device of FIG. 1 in an open position with the mirror fully extended;

FIG. 10 is a left side view of the device of FIG. 1 in an open position with the mirror fully extended as shown in FIG. 9;

FIG. 11 is a right side view of the device of FIG. 1 in an open position with the mirror fully extended as shown in FIG. 9;

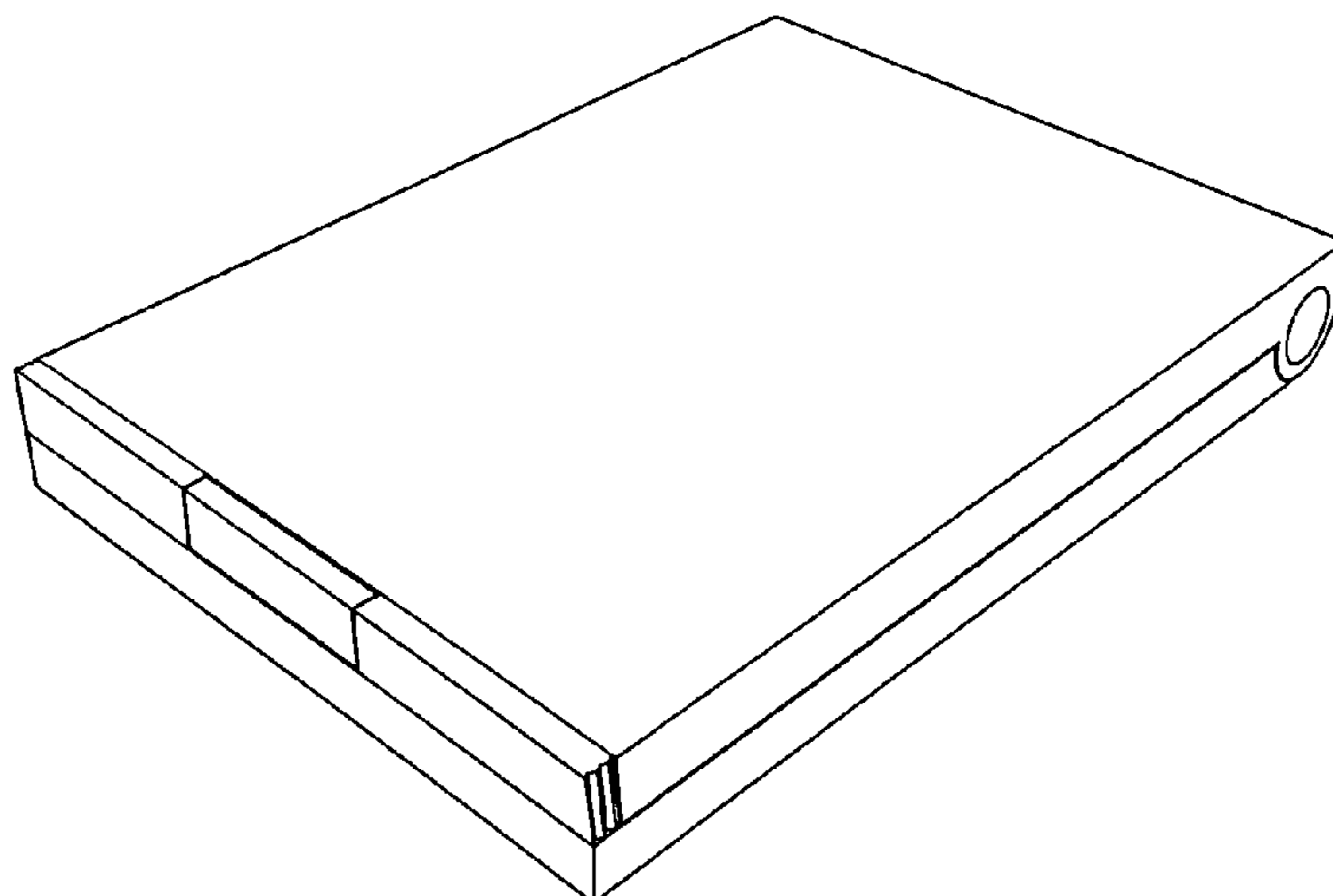
FIG. 12 is a front view of the device of FIG. 1 in an open position with the mirror fully extended as shown in FIG. 9;

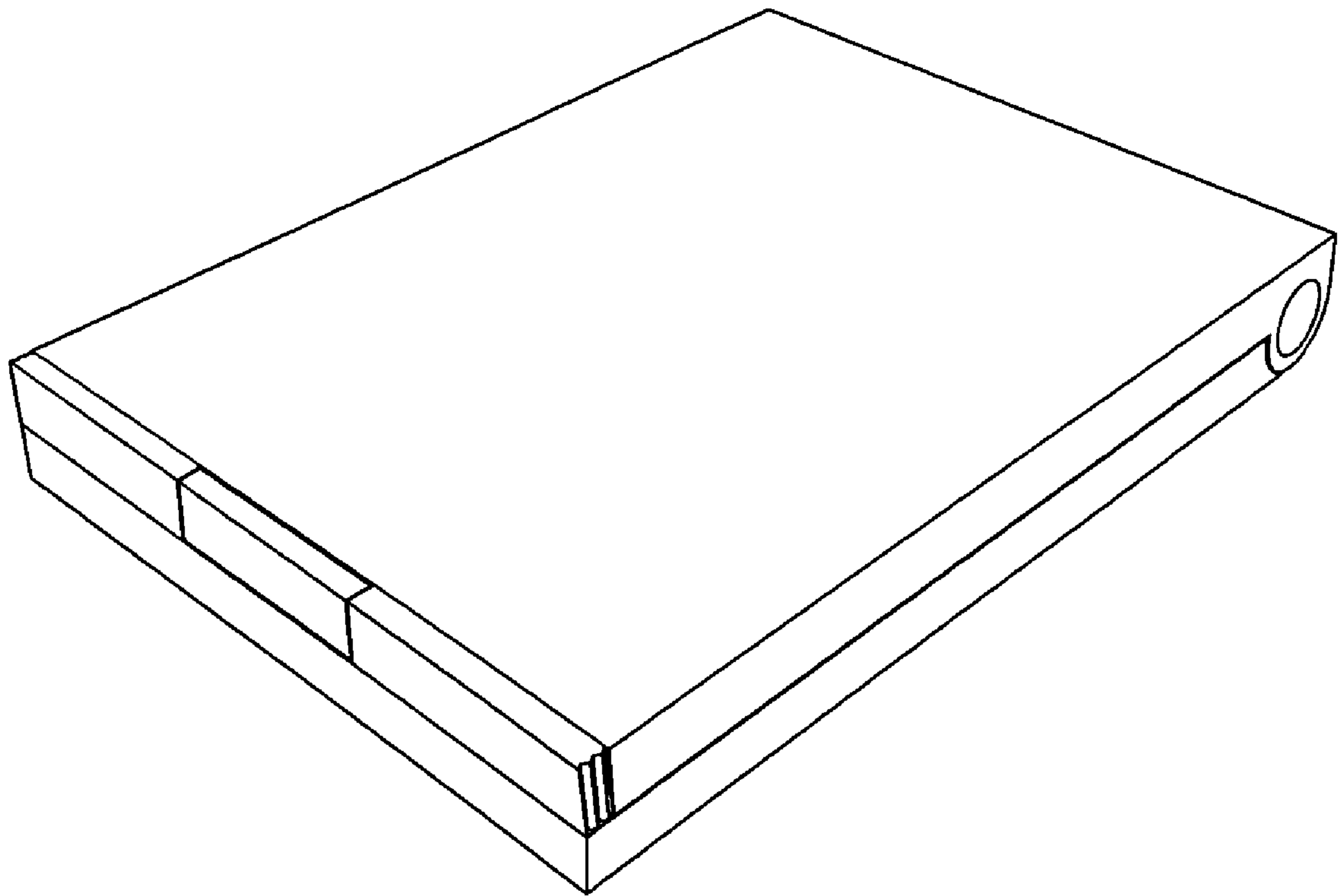
FIG. 13 is a rear view of the device of FIG. 1 in an open position with the mirror fully extended as shown in FIG. 9;

FIG. 14 is a top view of the device of FIG. 1 in an open position with the mirror fully extended as shown in FIG. 9;

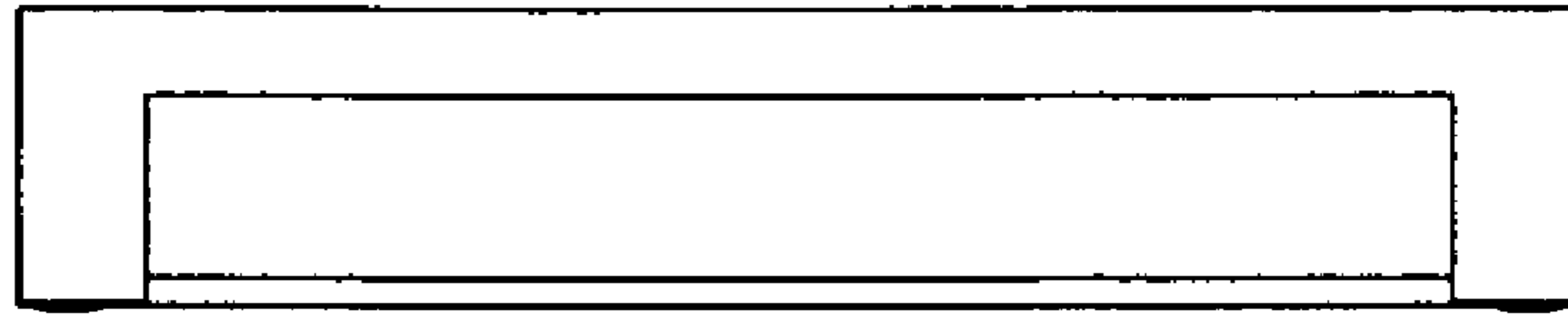
and,  
FIG. 15 is a bottom view of the device of FIG. 1 in an open position with the mirror fully extended as shown in FIG. 9.

**1 Claim, 11 Drawing Sheets**

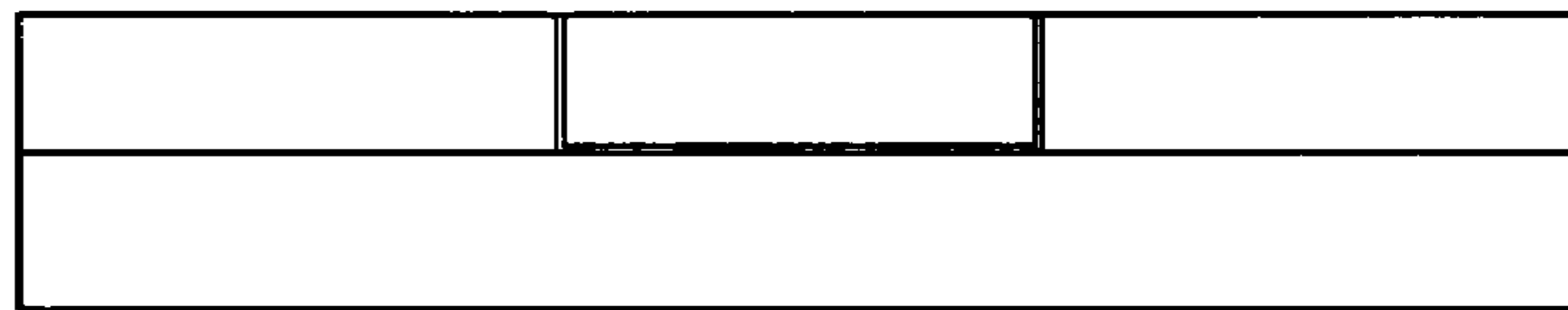




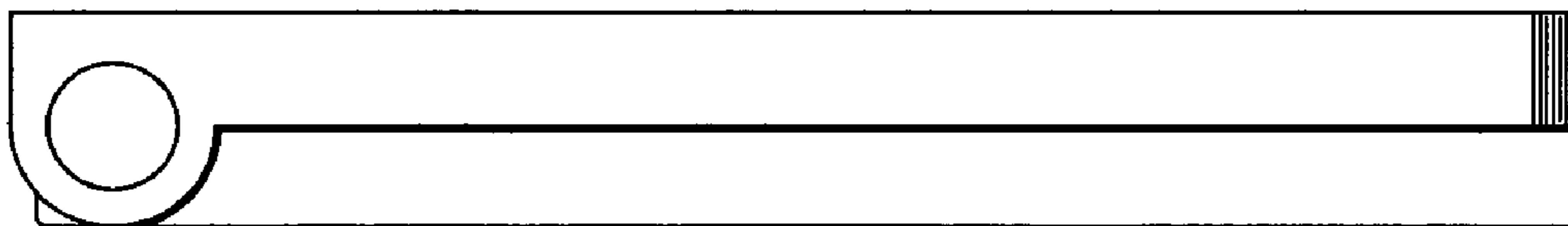
**FIG. 1**



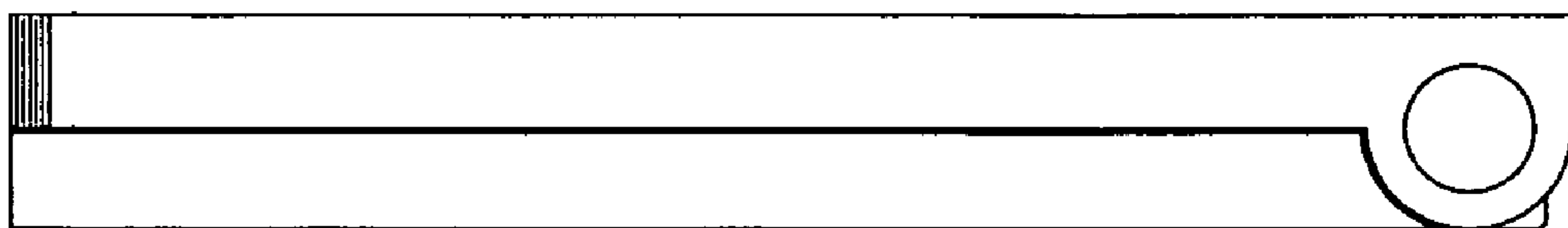
**FIG. 2**



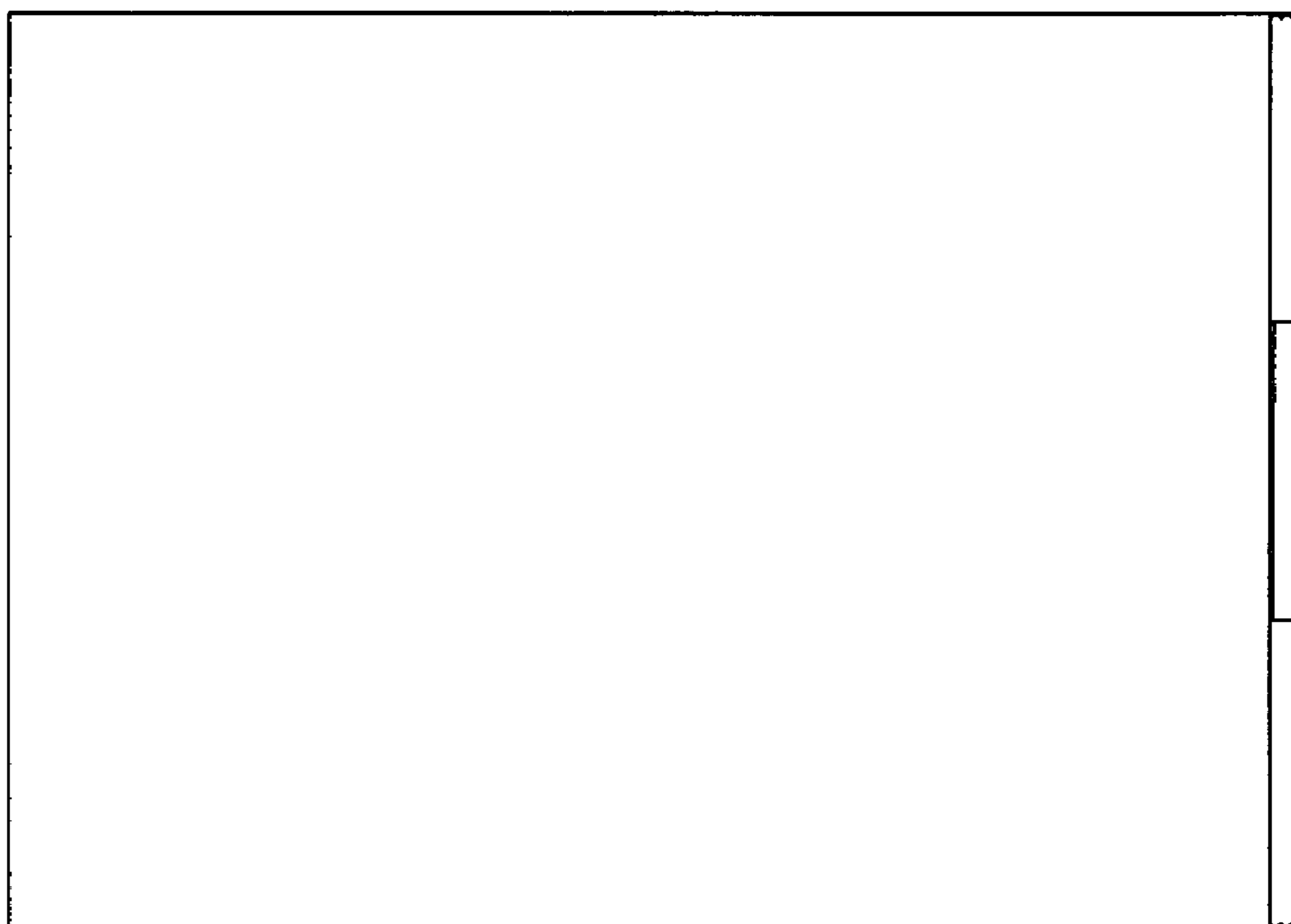
**FIG. 3**



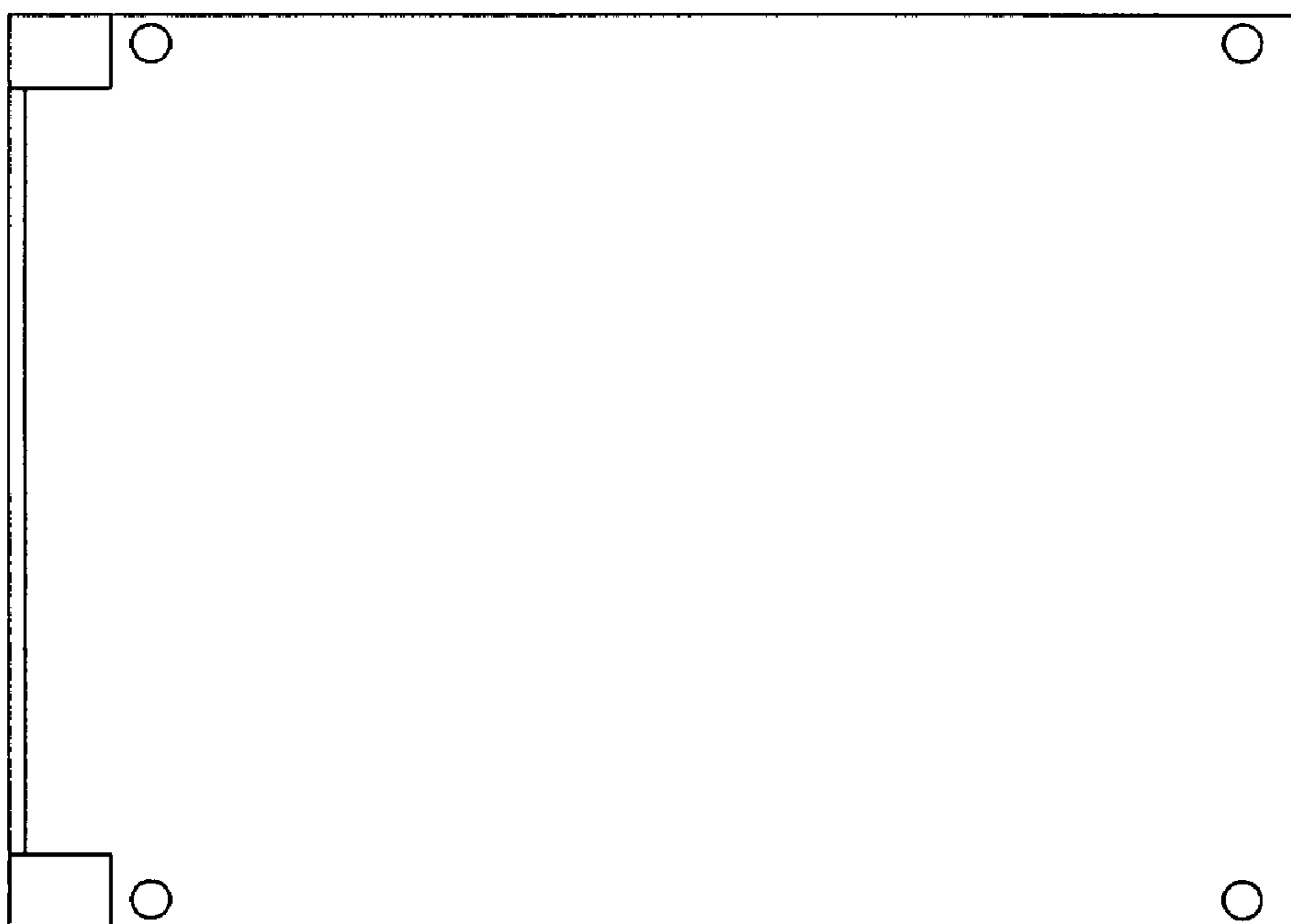
**FIG. 4**



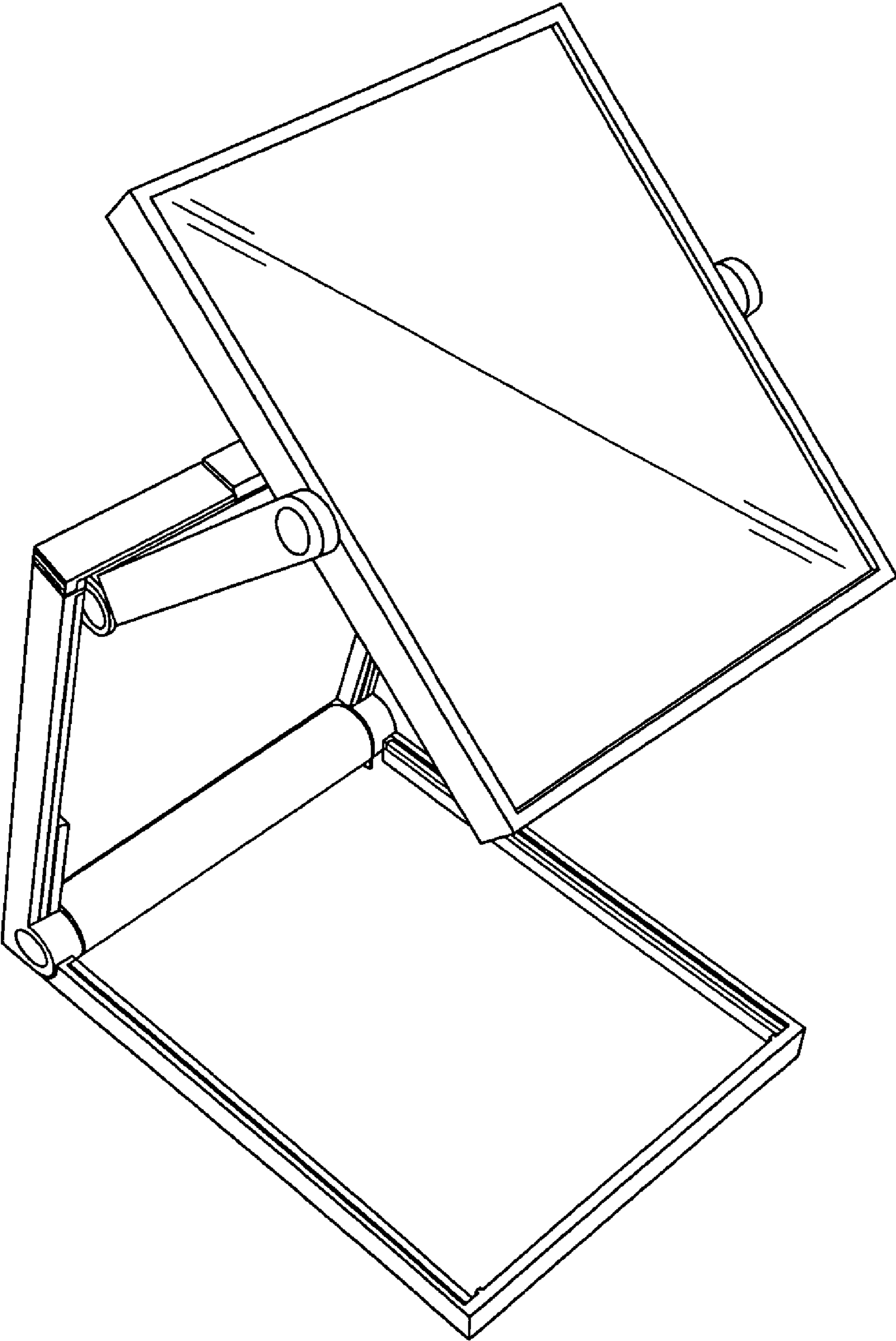
**FIG. 5**



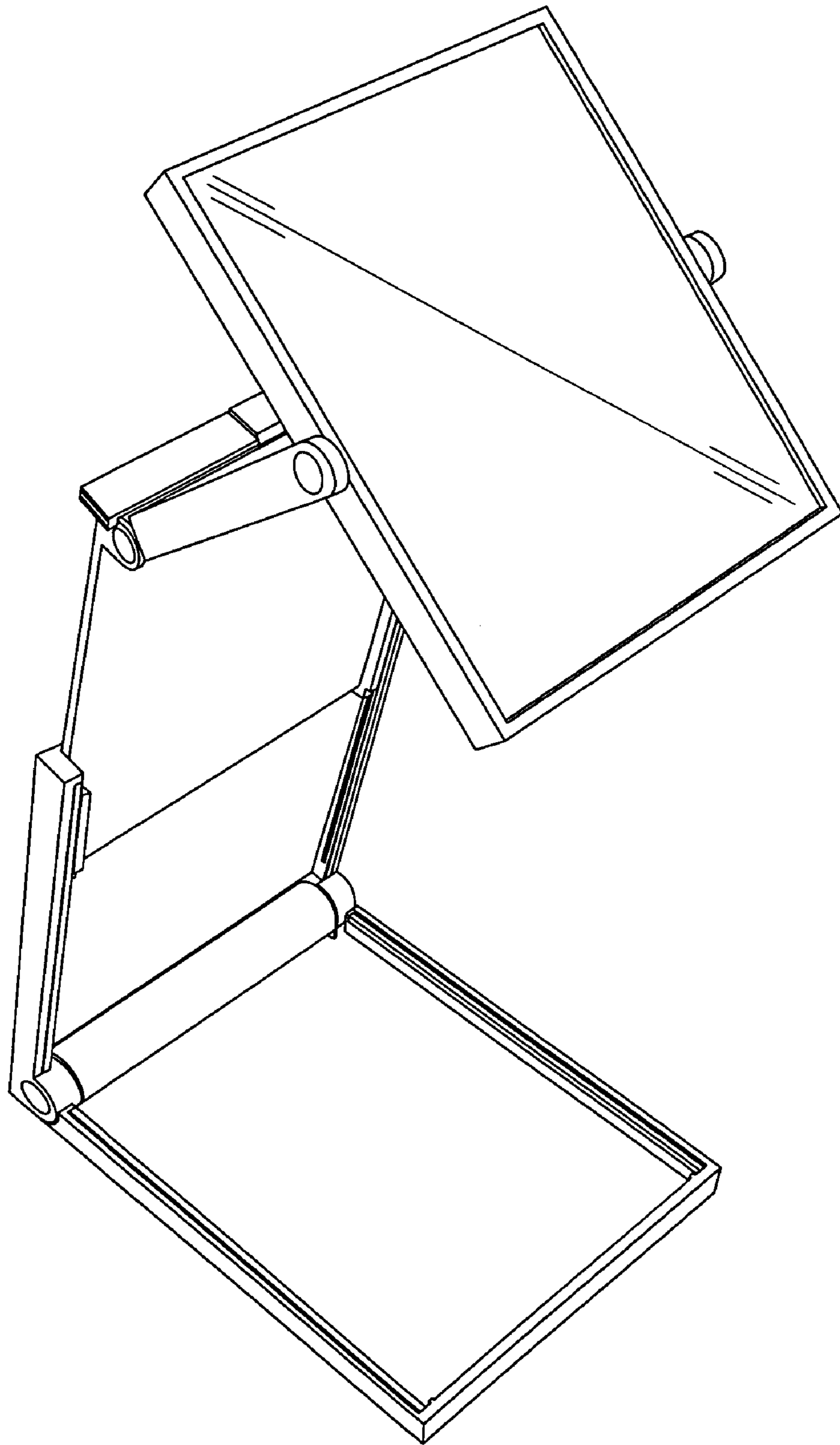
**FIG. 6**



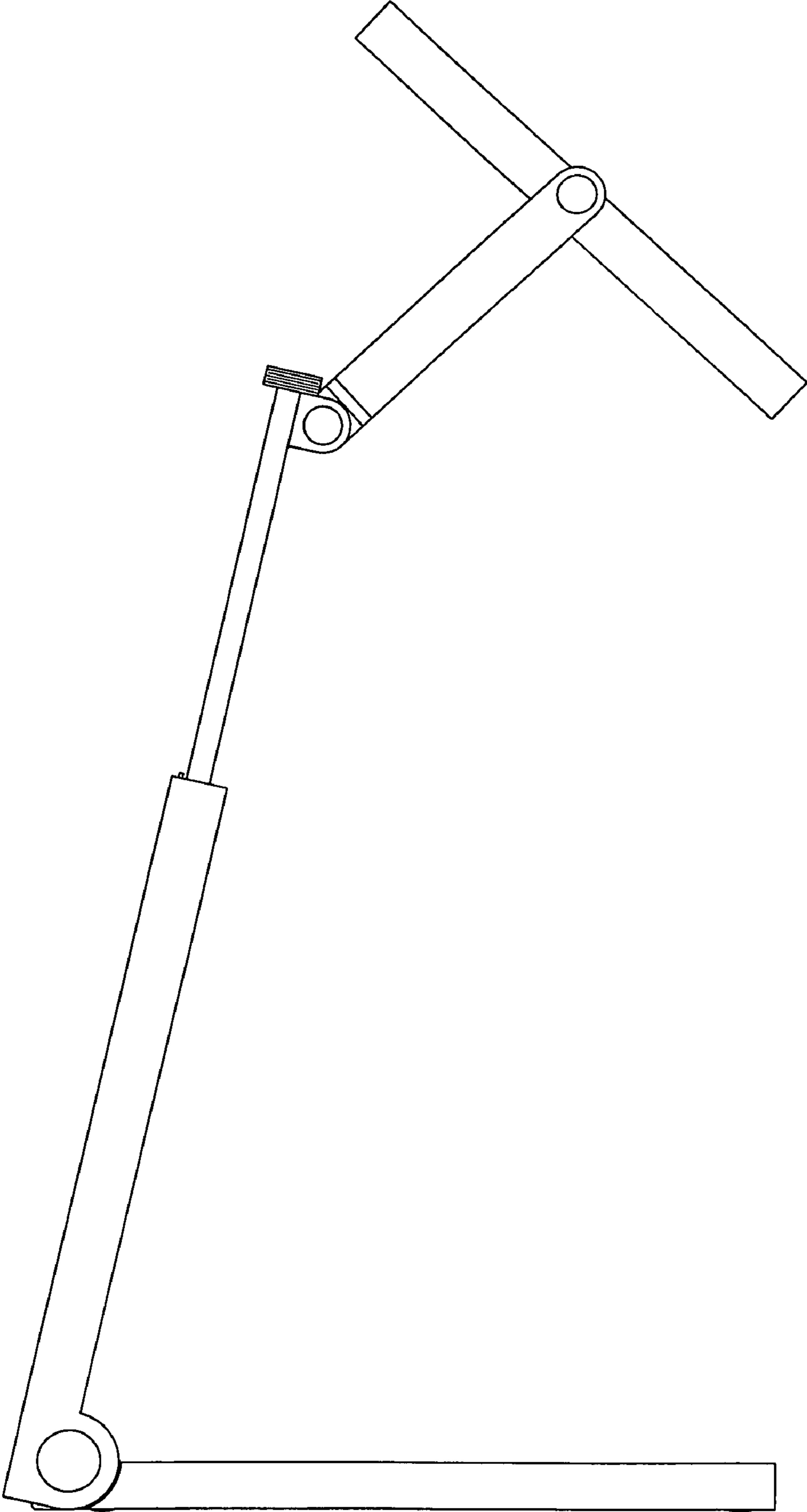
**FIG. 7**



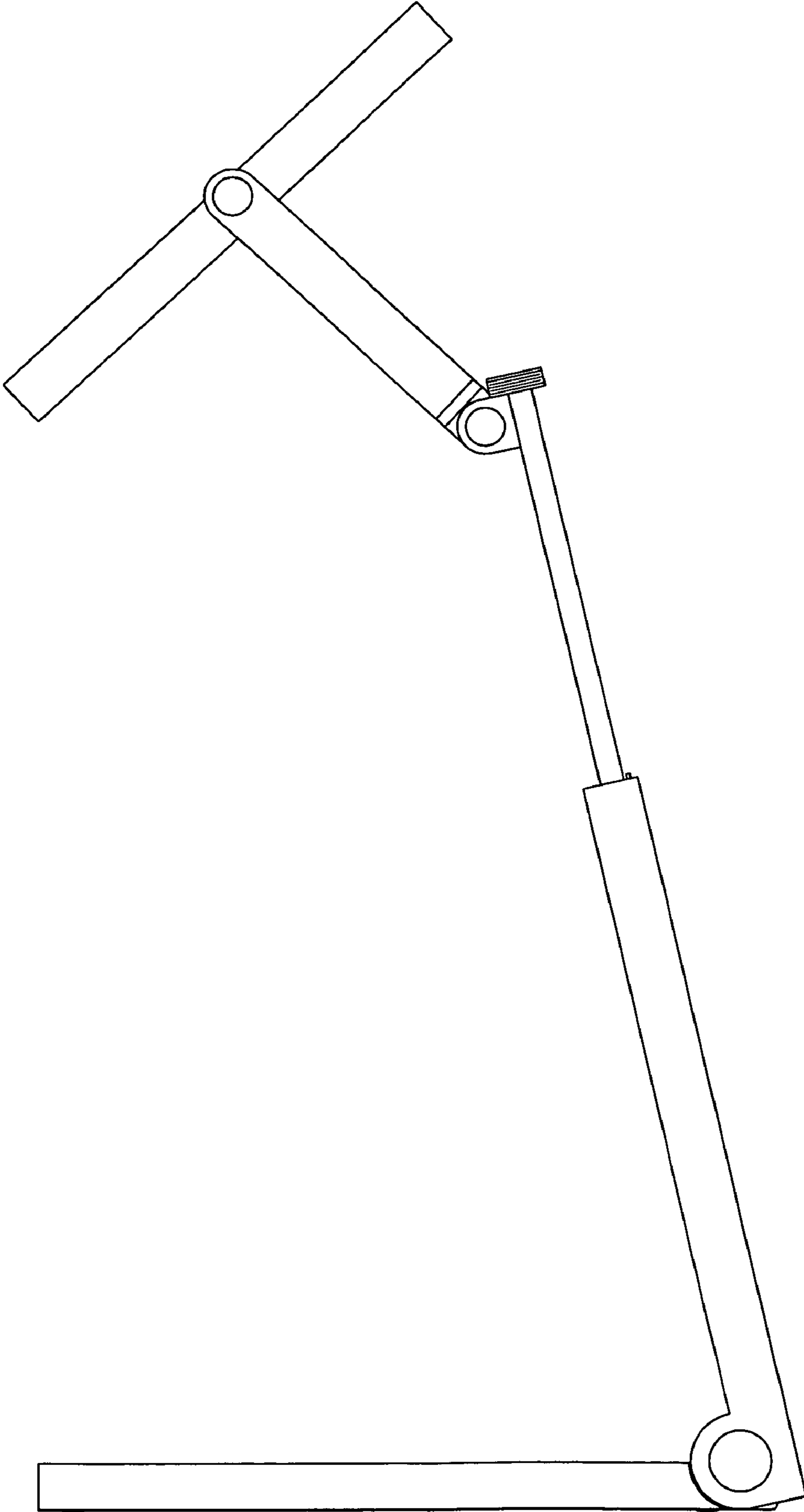
**FIG. 8**



**FIG. 9**



**FIG. 10**



**FIG. 11**



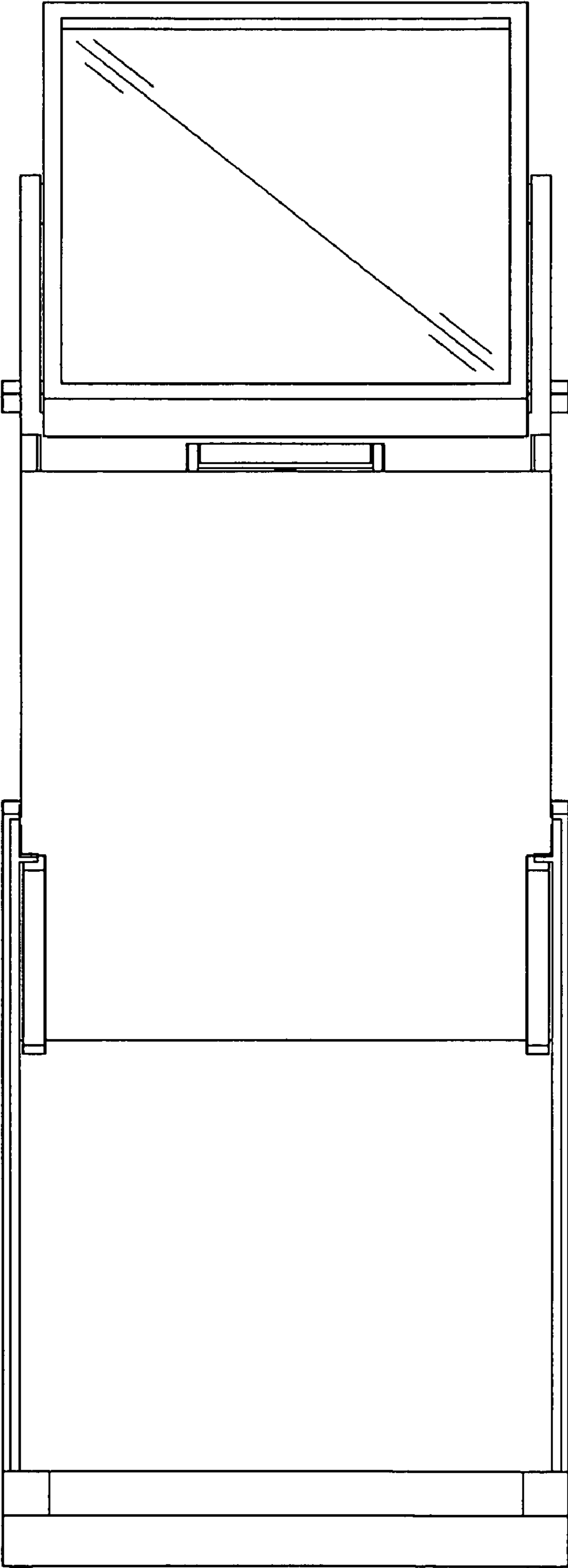
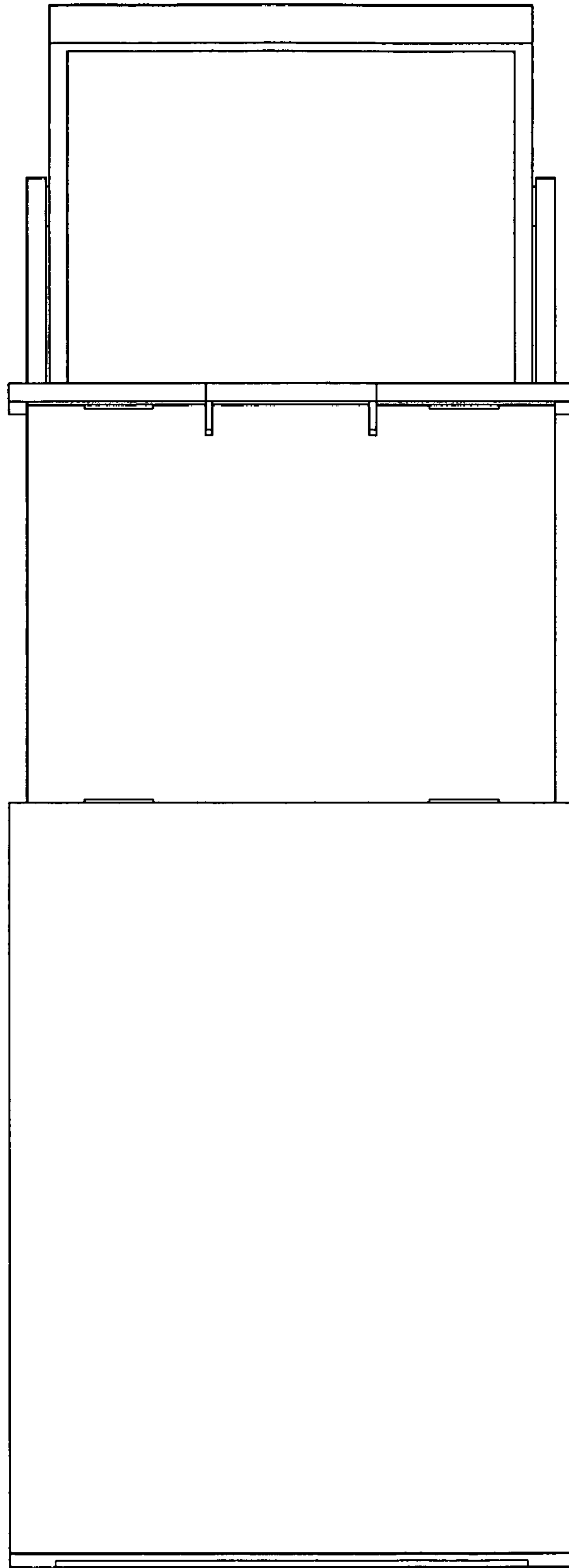
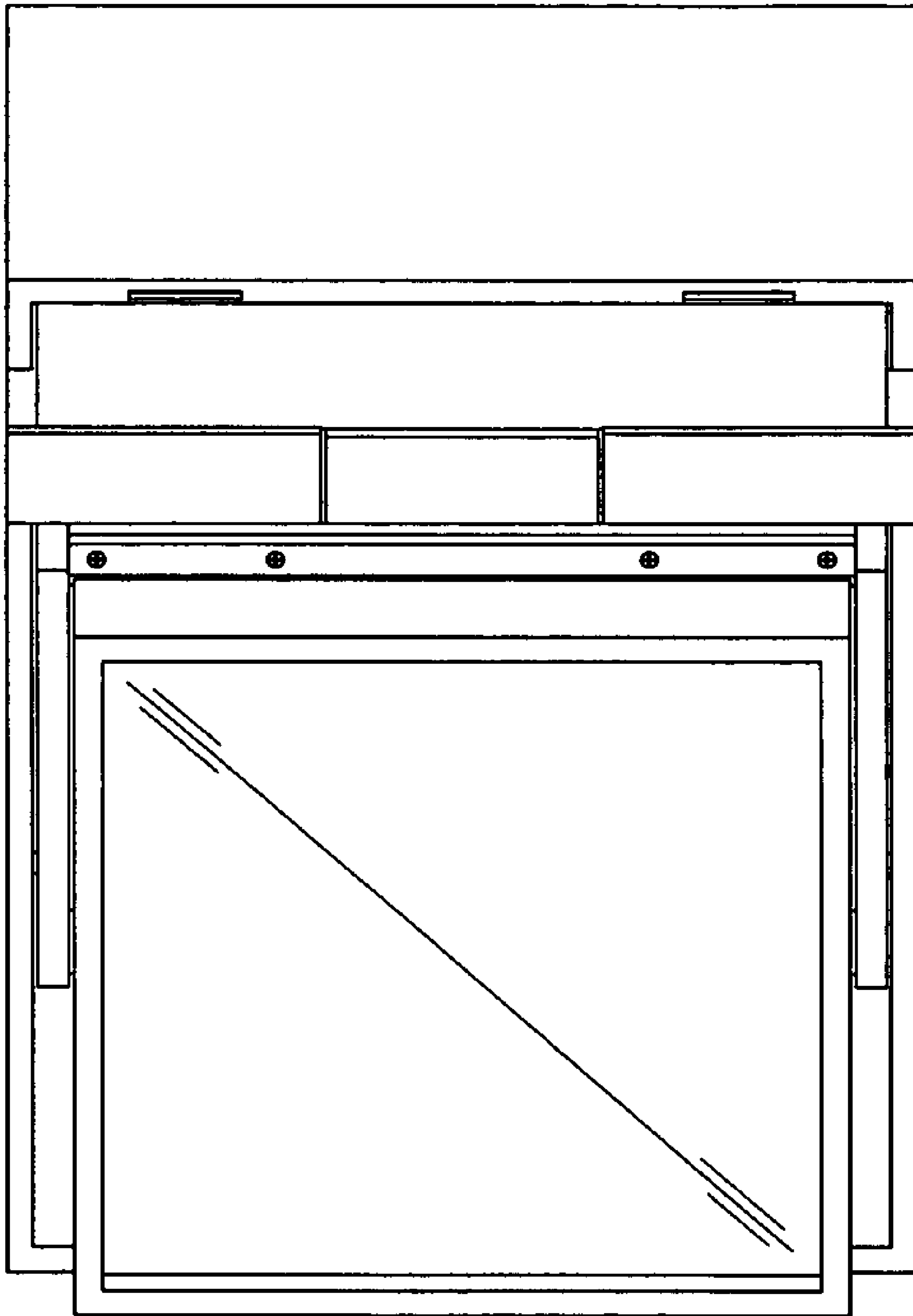


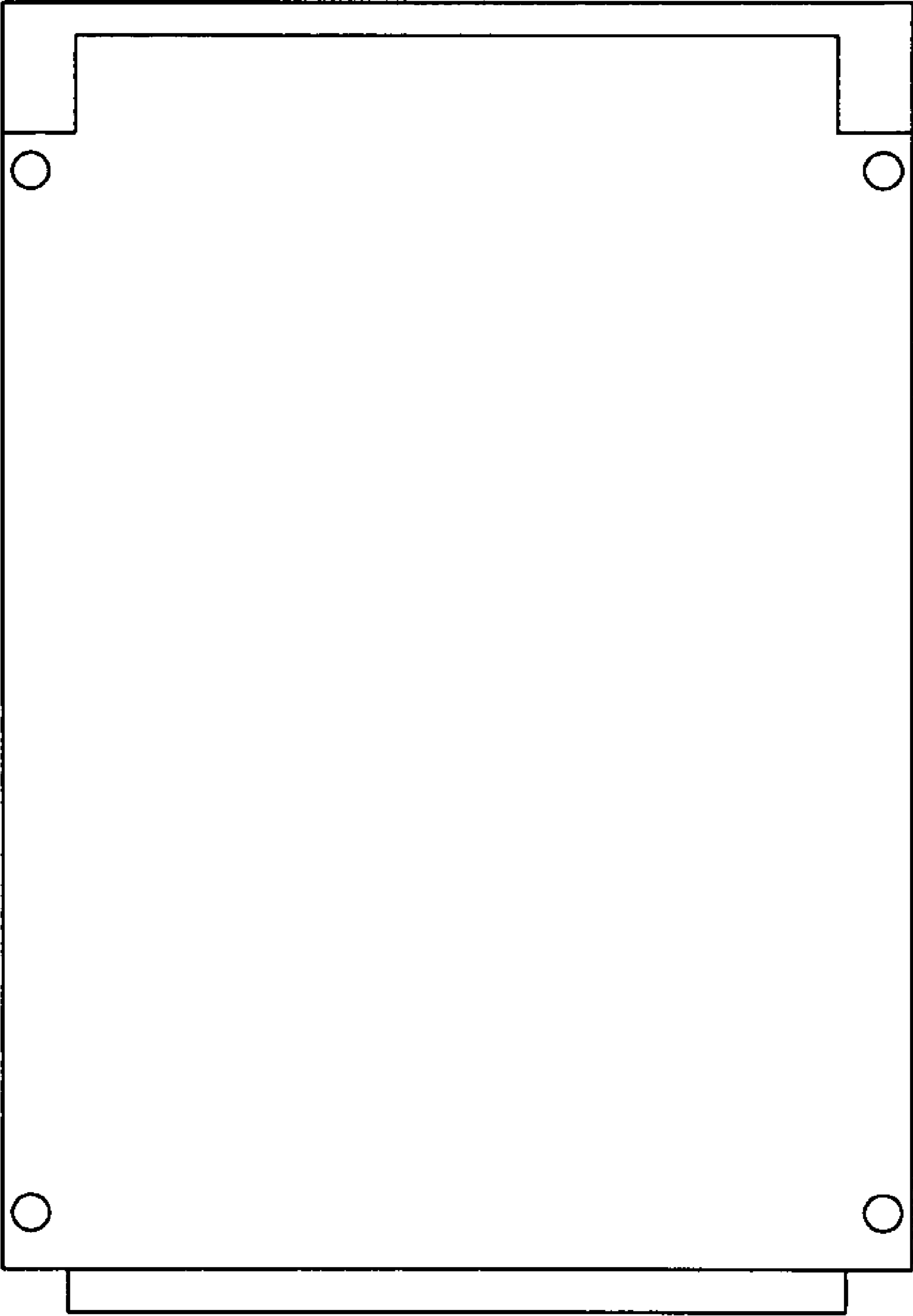
FIG. 12



**FIG. 13**



**FIG. 14**



**FIG. 15**