



US00D605407S

(12) **United States Design Patent**  
**Wagner**

(10) **Patent No.:** **US D605,407 S**

(45) **Date of Patent:** **\*\* Dec. 8, 2009**

(54) **THREE SIDED FINGER COT FOR ORAL HYGIENE**

D595,508 S \* 7/2009 Wagner ..... D4/103  
D598,103 S \* 8/2009 Wagner ..... D24/152

(76) Inventor: **Eugene Carl Wagner**, 1626 Chastain Pkwy. East, Pacific Palisades, CA (US) 90272

\* cited by examiner

*Primary Examiner*—Melanie H Tung  
*Assistant Examiner*—Lavone D Tabor

(\*\*) Term: **14 Years**

(57) **CLAIM**

(21) Appl. No.: **29/315,466**

The ornamental design for a 3 sided finger brush for oral hygiene, as shown and described.

(22) Filed: **Jun. 29, 2009**

**DESCRIPTION**

(51) **LOC (9) Cl.** ..... **04-02**

(52) **U.S. Cl.** ..... **D4/103**

(58) **Field of Classification Search** ..... D4/103;  
D24/146, 147, 152; D29/113, 114; 2/163;  
15/104.94, 227; 401/7; 433/141, 142, 216;  
601/136–139

FIG. 1 is shown on a reduced scale and the broken line showing of a user's hand therein is for illustrative purpose only and forms no part of the claimed design. The broken lines showing a series of bumps illustrate portions of the finger brush that form no part of the claimed design.

See application file for complete search history.

FIG. 2 is a alternate perspective view of this invention

(56) **References Cited**

FIG. 3 is a front elevation view of this invention

**U.S. PATENT DOCUMENTS**

FIG. 4 is a rear elevation view of this invention

- 1,833,555 A \* 11/1931 Bell et al. .... 15/188
- 2,077,540 A \* 4/1937 Welker ..... 401/7
- D313,317 S \* 1/1991 Brunner et al. .... D4/103
- 5,765,252 A \* 6/1998 Carr ..... 15/104.94
- 5,826,599 A \* 10/1998 Adams ..... 132/308
- 6,254,390 B1 \* 7/2001 Wagner ..... 433/216
- D459,808 S \* 7/2002 Safieh ..... D24/152
- D495,803 S \* 9/2004 Gough et al. .... D24/211

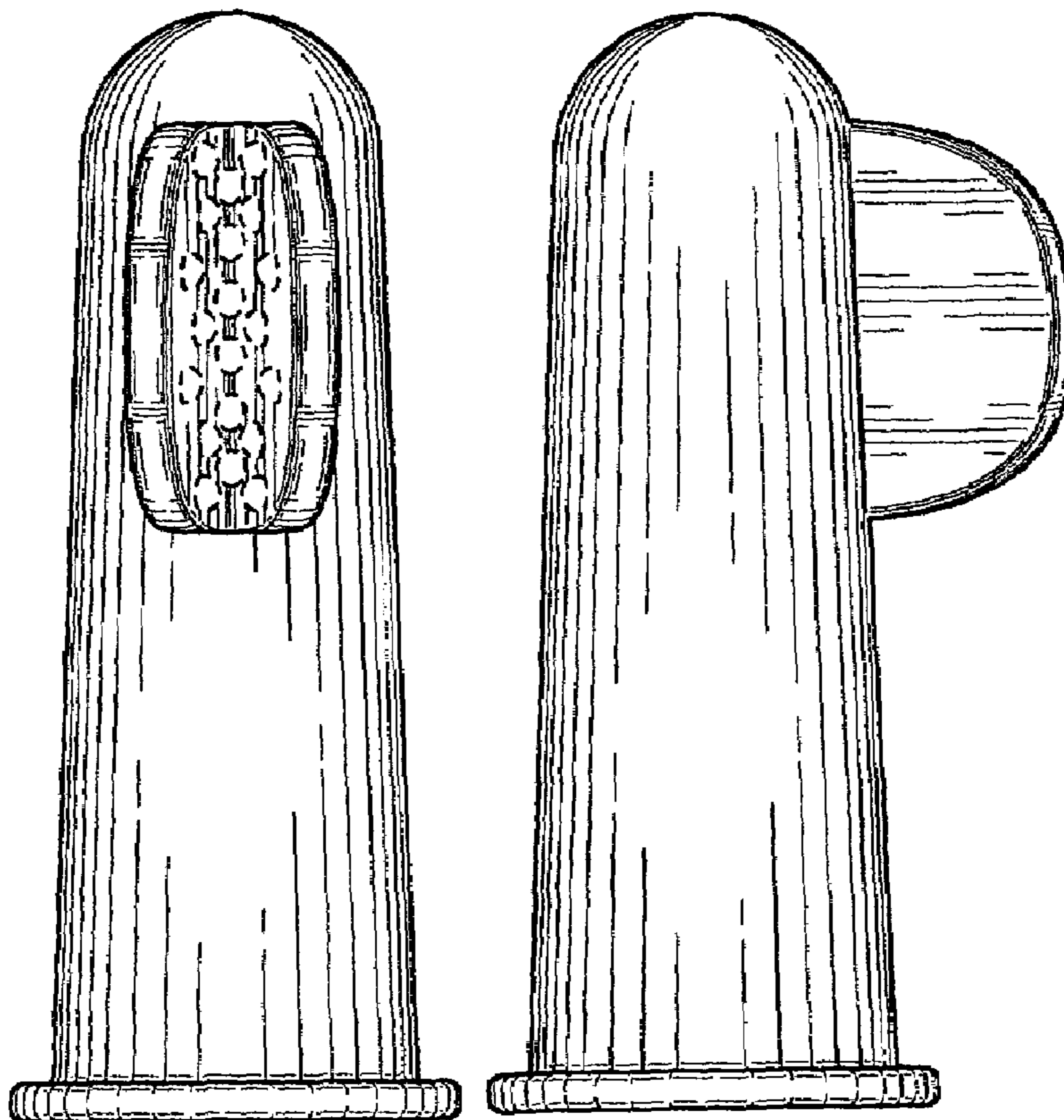
FIG. 5 is a side view of this invention

FIG. 6 is a top view of this invention; and,

FIG. 7 is a bottom view of this invention.

The broken lines of each figure drawing represent structural environment and forms no part of the claim.

**1 Claim, 3 Drawing Sheets**



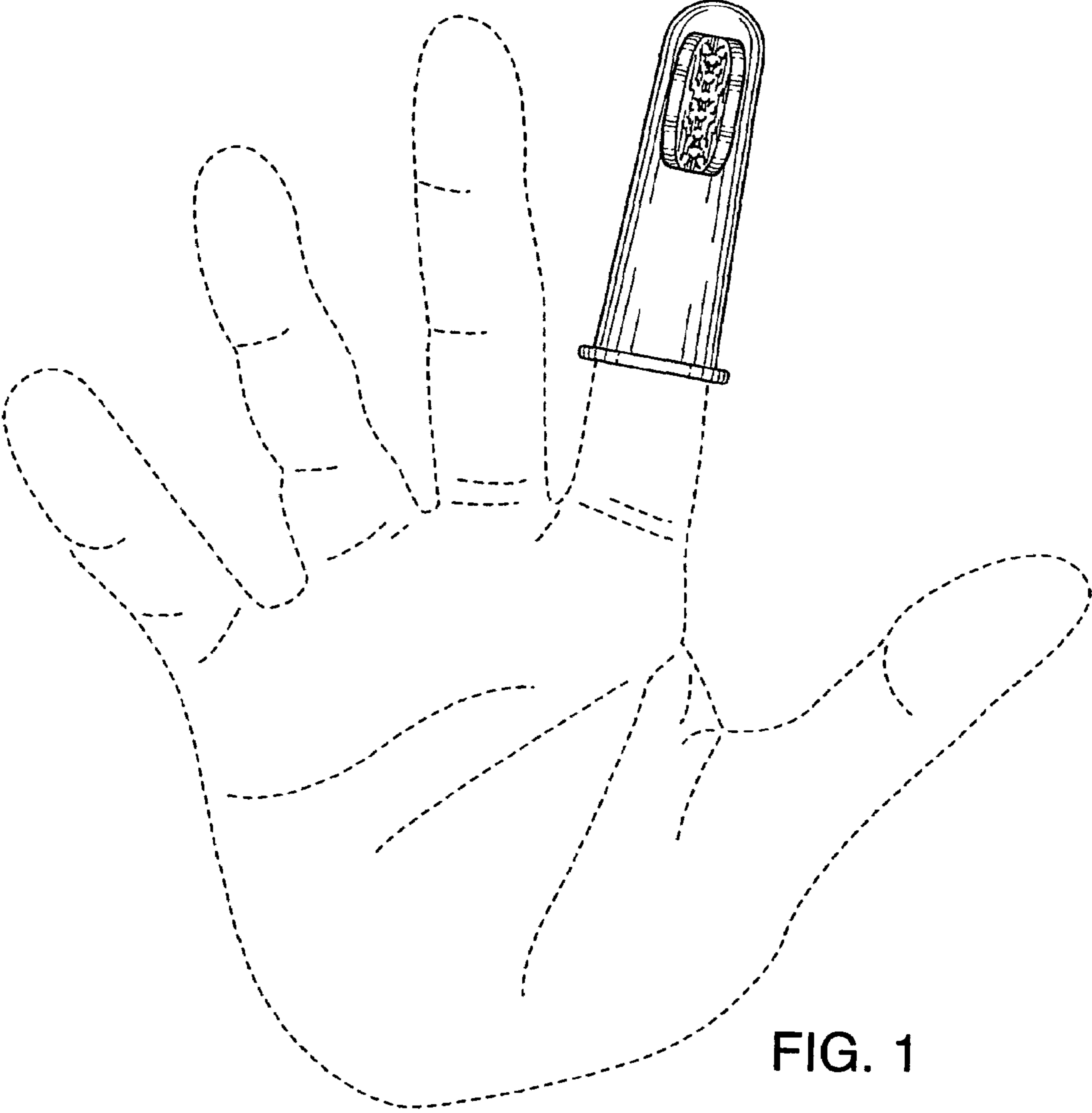


FIG. 1

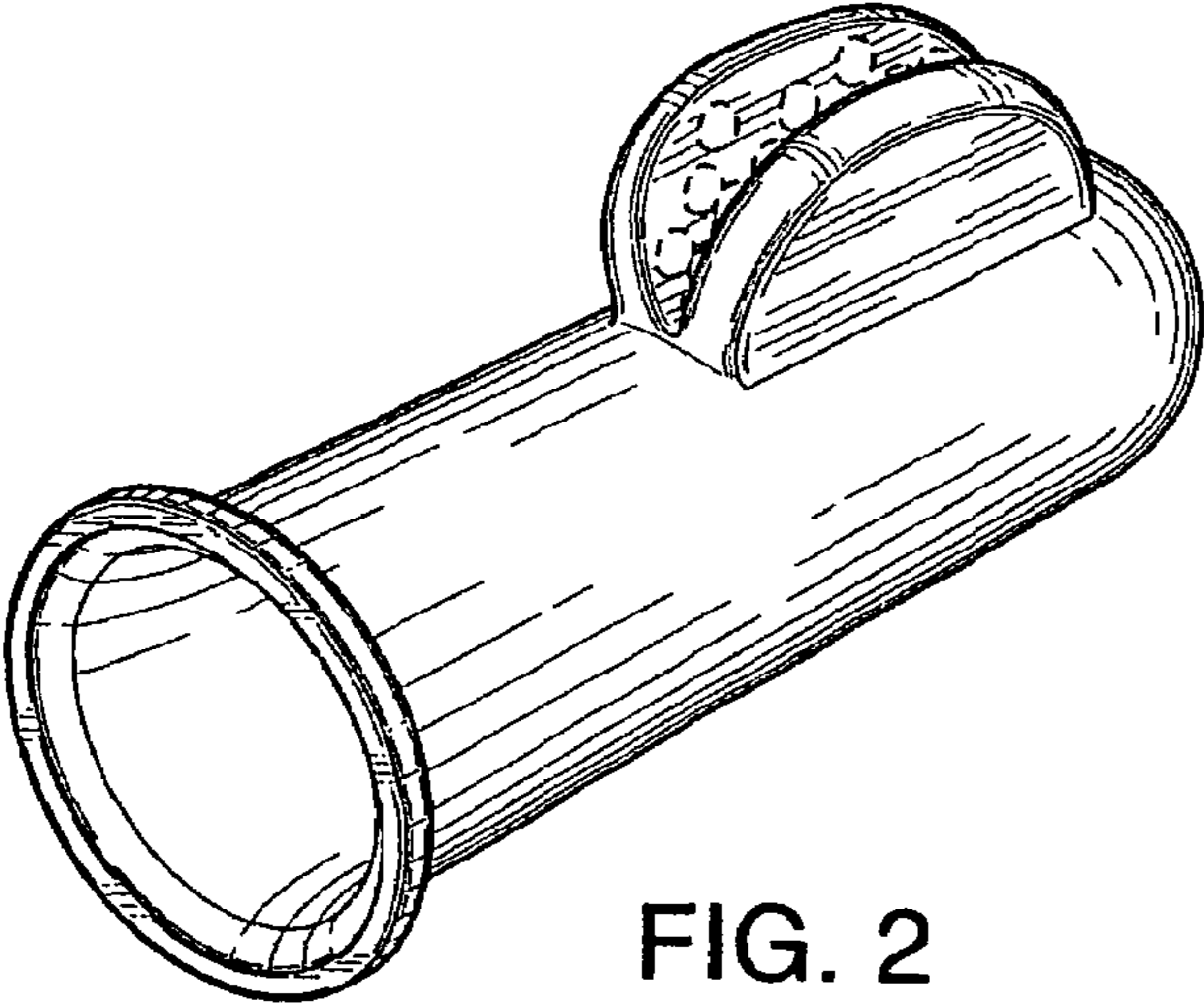


FIG. 2

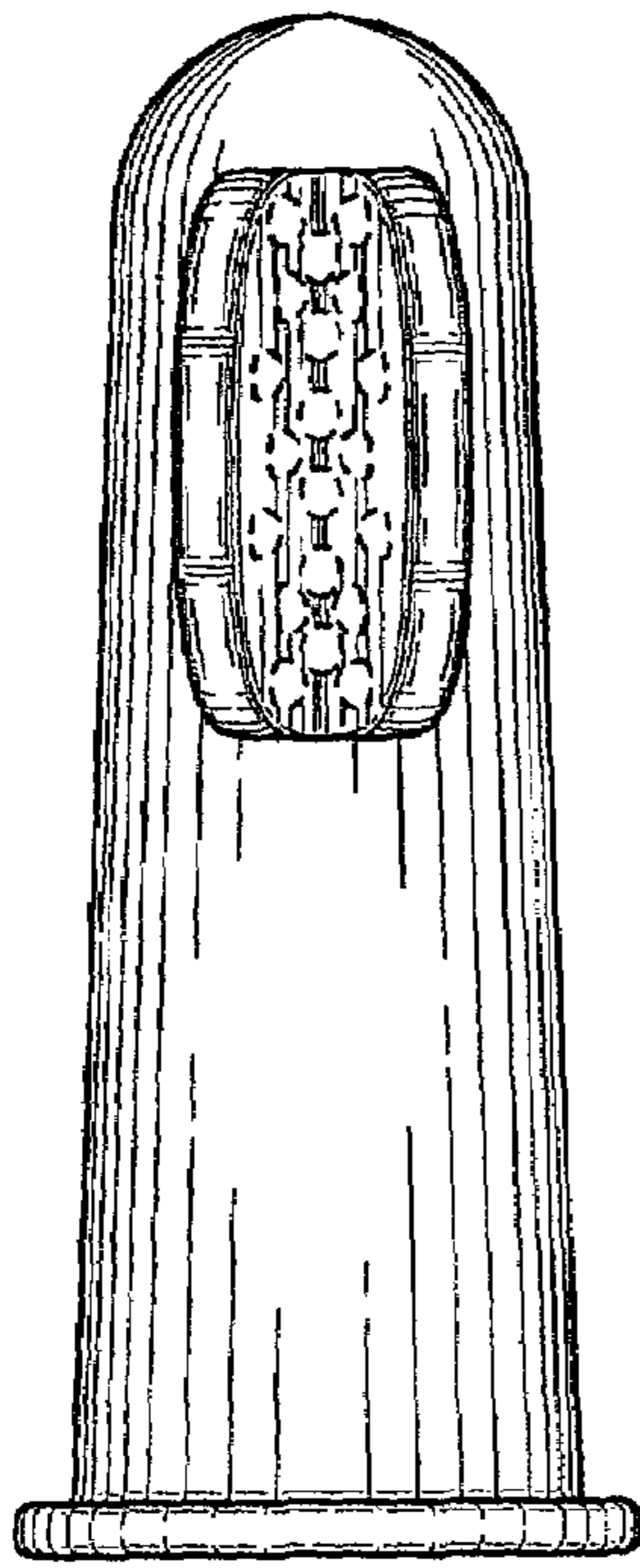


FIG. 3

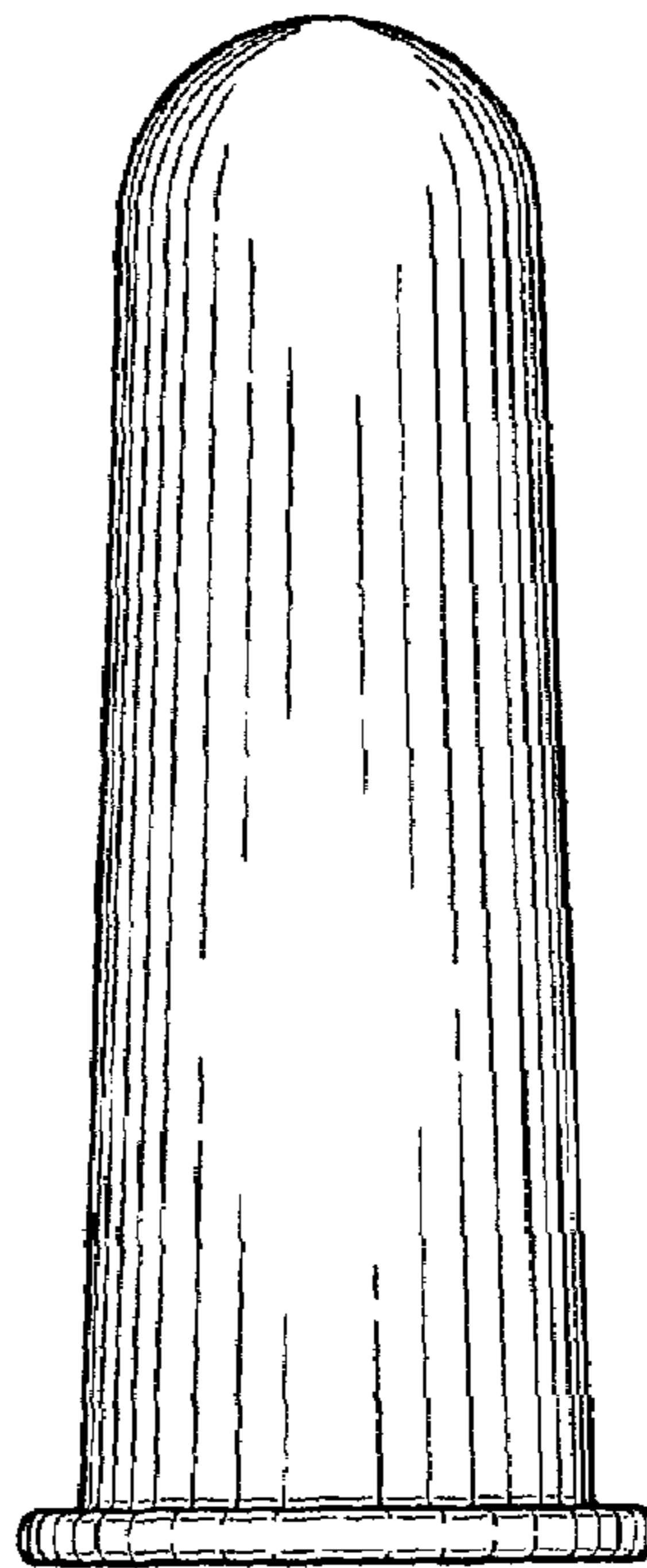


FIG. 4

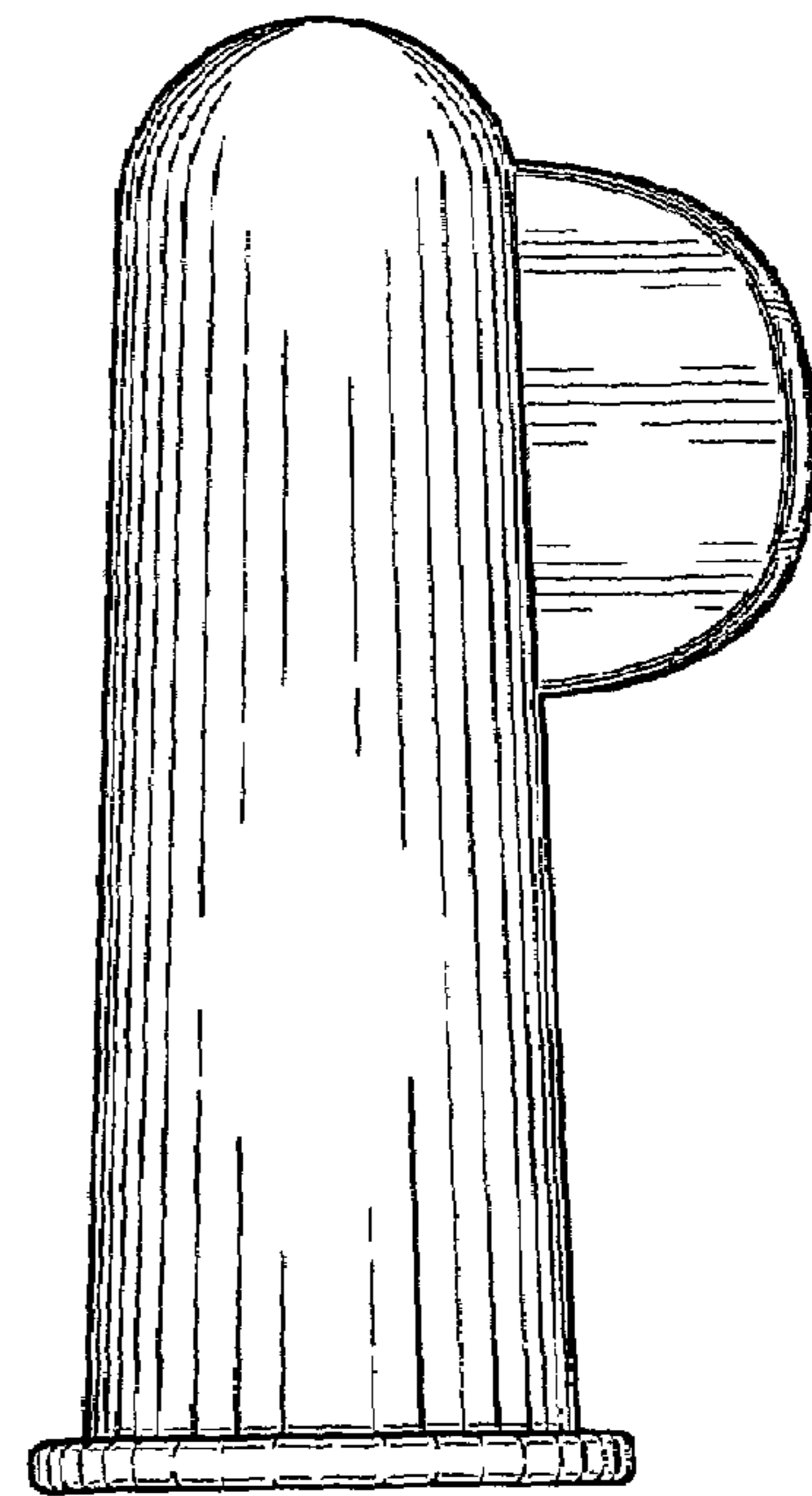


FIG. 5

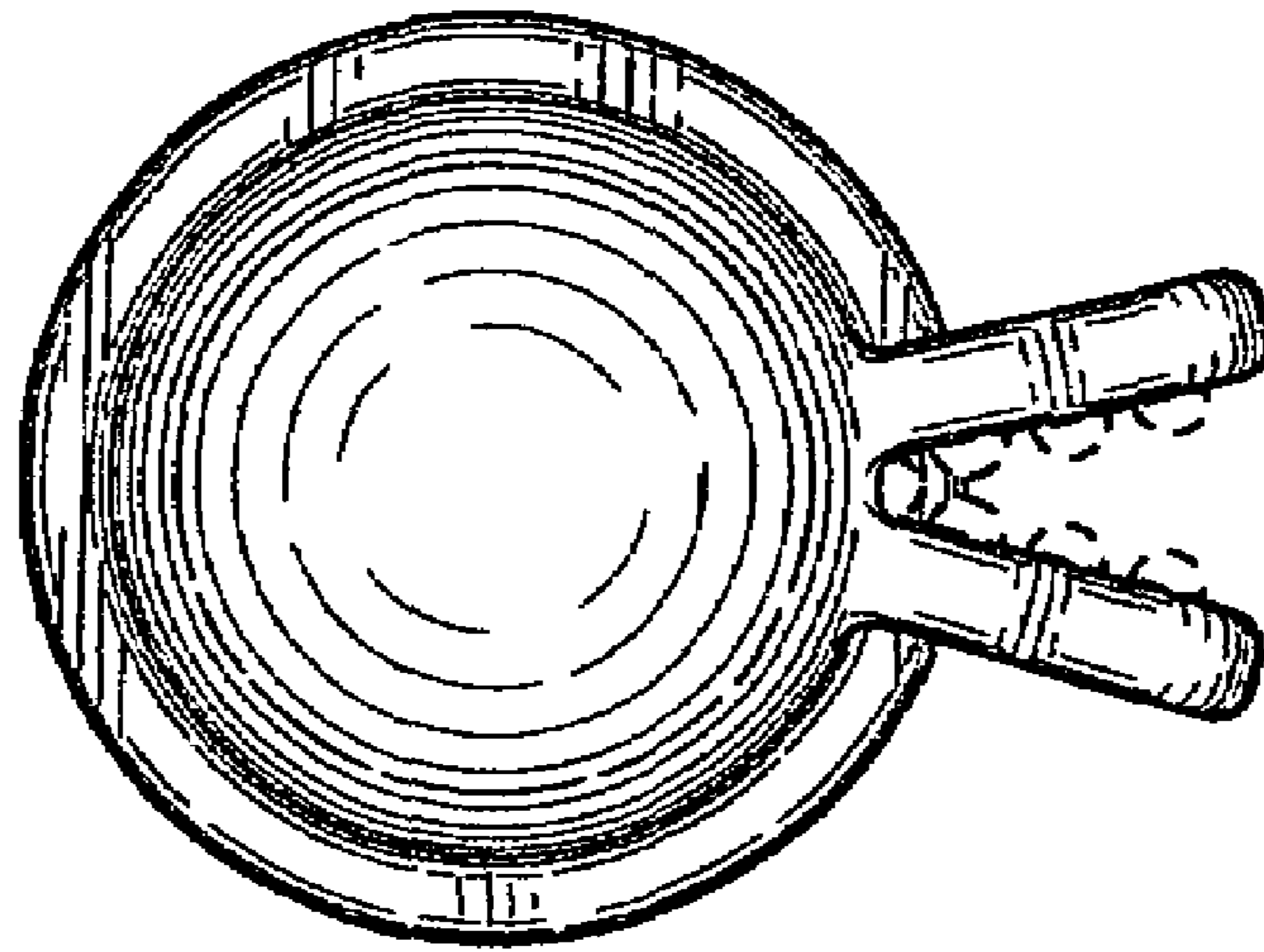


FIG. 6

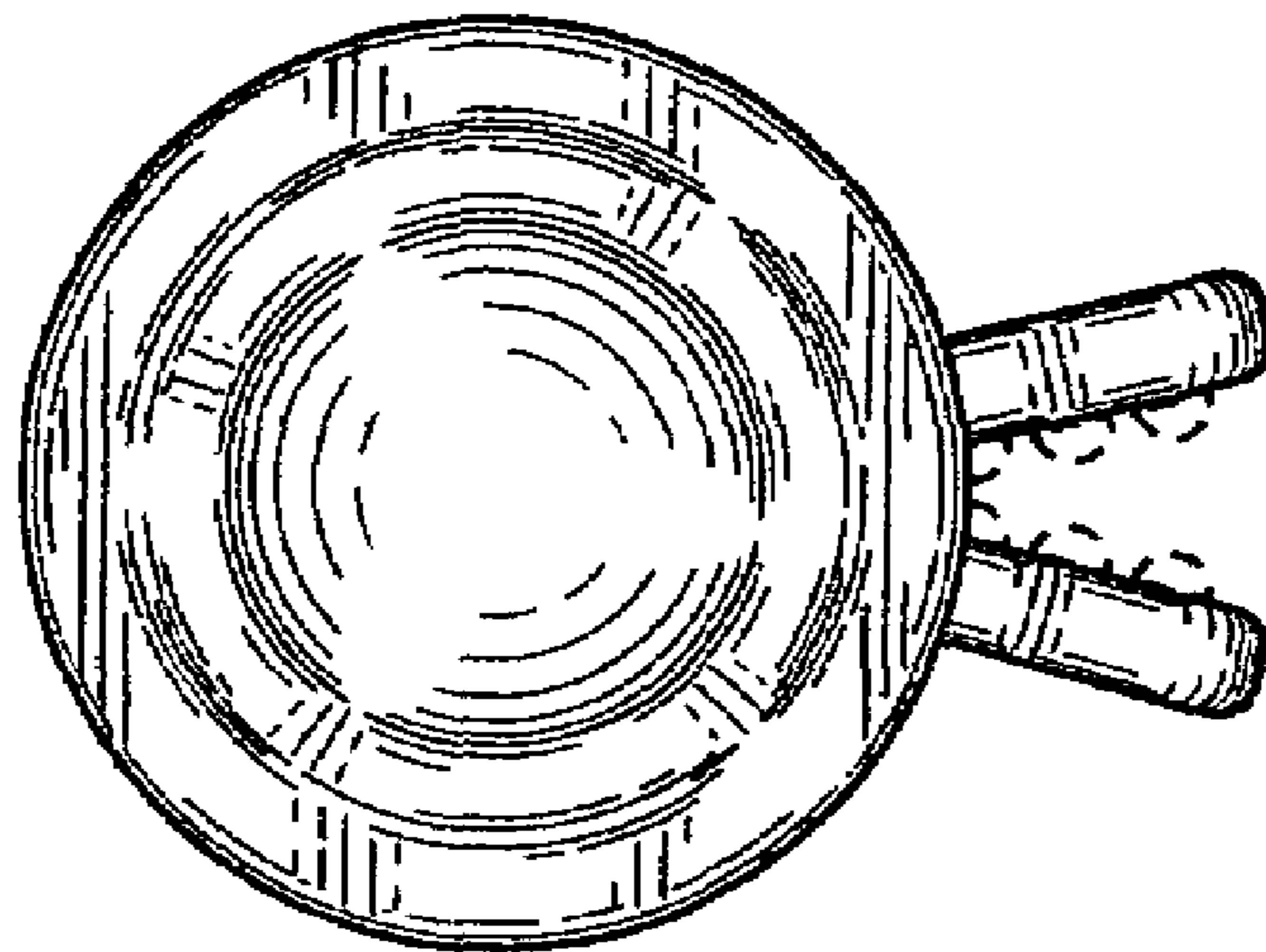


FIG. 7