



US00D605403S

(12) **United States Design Patent**
Santamarina et al.

(10) **Patent No.:** **US D605,403 S**
(45) **Date of Patent:** **** Dec. 8, 2009**

(54) **TOOL CONTAINER**

(75) Inventors: **Aland Santamarina**, Columbia, MD
(US); **Gabriel E. Concari**, Eldersburg,
MD (US)

(73) Assignee: **Black & Decker Inc.**, Newark, DE (US)

(**) Term: **14 Years**

(21) Appl. No.: **29/304,011**

(22) Filed: **Feb. 22, 2008**

(51) **LOC (9) Cl.** **03-01**

(52) **U.S. Cl.** **D3/294; D3/905**

(58) **Field of Classification Search** D3/273,
D3/294-295, 905; D8/87, 105, 107; 7/138,
7/165, 168, 170; 206/349, 372-373, 379
See application file for complete search history.

(56) **References Cited**

U.S. PATENT DOCUMENTS

388,334	A	8/1888	Bartlett et al.	
434,780	A	8/1890	Hescox	
1,192,575	A	7/1916	Selander	
1,398,583	A *	11/1921	Bovee	132/103
D170,728	S	10/1953	Tavolazzi	
2,944,662	A	7/1960	Colton	
3,426,890	A	2/1969	Bayer	
D229,673	S	12/1973	Danjczek	
3,804,238	A	4/1974	Howard	
4,151,912	A	5/1979	Harrold	
4,717,020	A	1/1988	Viira	
D308,750	S *	6/1990	Hillinger	D3/294
D317,985	S	7/1991	Alm	
5,160,026	A	11/1992	Marsh	
D345,474	S *	3/1994	Harris	D6/467
5,301,807	A	4/1994	Donahue	
5,320,004	A *	6/1994	Hsiao	81/440
5,562,212	A	10/1996	Rosler	
5,687,844	A	11/1997	Budert	
5,711,042	A *	1/1998	Chuang	7/138

5,829,591	A	11/1998	Lyons	
5,927,493	A *	7/1999	Colombo	206/372
D423,214	S *	4/2000	Hawkins et al.	D3/294
6,062,385	A	5/2000	Cho	
6,105,767	A	8/2000	Vasudeva	
6,129,229	A	10/2000	Dunn et al.	
D455,630	S *	4/2002	Chiu	D8/105
D459,580	S *	7/2002	Chen	D3/282
D471,358	S *	3/2003	Yang	D3/276
D471,359	S *	3/2003	Yang	D3/276
D479,963	S *	9/2003	Chang	D8/21
D480,561	S	10/2003	Simon et al.	

(Continued)

Primary Examiner—Philip S Hyder
Assistant Examiner—Roselyne Cody
(74) *Attorney, Agent, or Firm*—Scott B. Markow

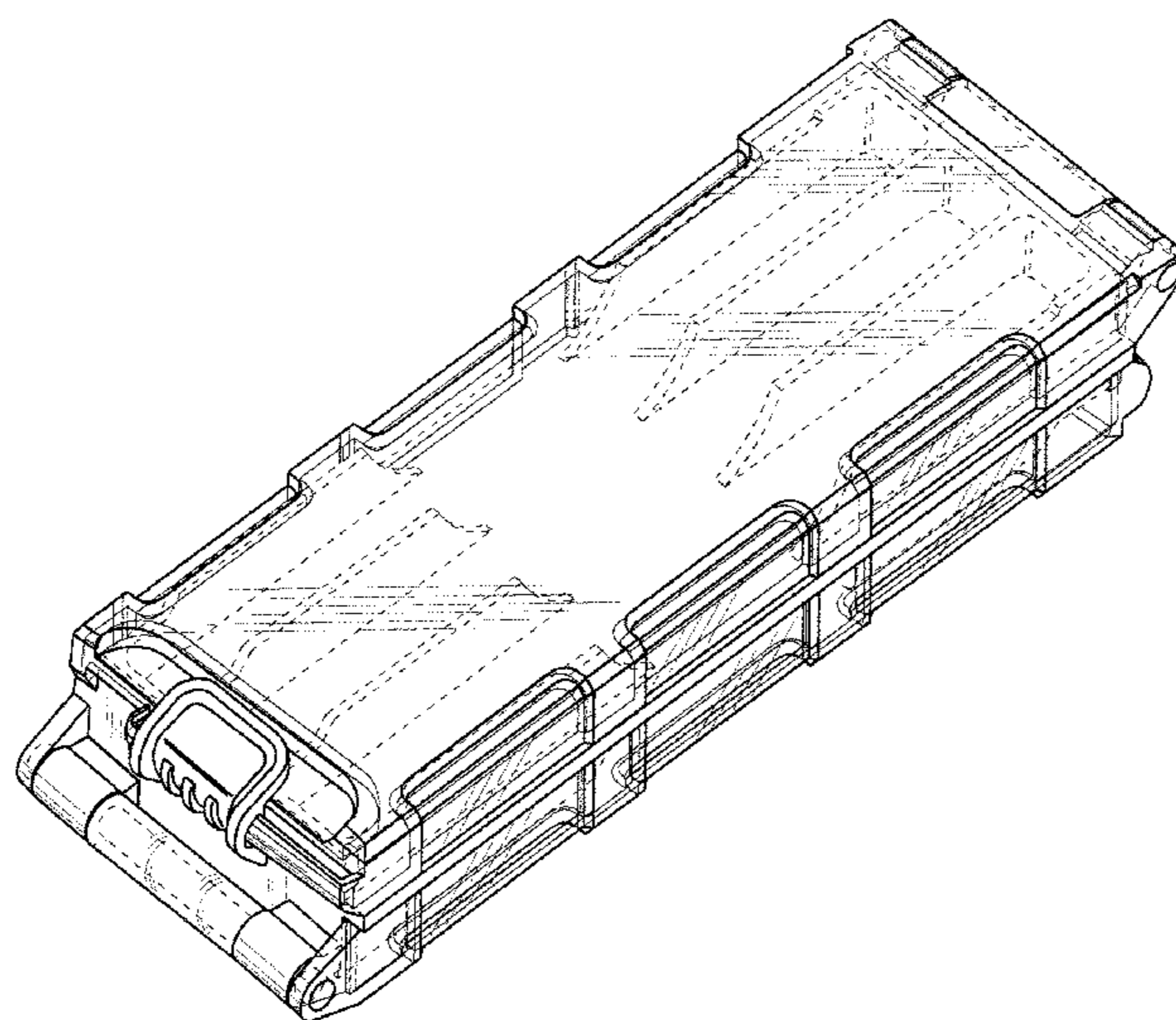
(57) **CLAIM**

The ornamental design for a tool container, as shown and described.

DESCRIPTION

FIG. 1 is a top perspective view of the tool container of the present disclosure;
FIG. 2 is a bottom perspective view of the tool container of FIG. 1;
FIG. 3 is a bottom plan view of the tool container of FIG. 1;
FIG. 4 is a front elevation view of the tool container of FIG. 1;
FIG. 5 is a right side elevation view of the tool container of FIG. 1;
FIG. 6 is a top plan view of the tool container of FIG. 1;
FIG. 7 is a left elevation side view of the tool container of FIG. 1; and,
FIG. 8 is a rear elevation view of the tool container of FIG. 1.
The portions of the drawings shown in broken lines illustrate environment and form no part of the claimed design.

1 Claim, 4 Drawing Sheets



US D605,403 S

Page 2

U.S. PATENT DOCUMENTS

6,631,805 B2	10/2003	Bramen					
D493,617 S	8/2004	Armato					
6,880,435 B2 *	4/2005	Hawkins	81/440			
D505,548 S *	5/2005	Yang	D3/282			
D515,391 S *	2/2006	Hawkins	D8/105			
7,020,923 B1 *	4/2006	Jangula	7/166			
7,047,847 B2 *	5/2006	Chuang	81/440			
D523,244 S	6/2006	Peterson					
7,077,267 B2 *	7/2006	Lee	206/373			
D528,793 S	9/2006	Cornwell et al.					
D529,781 S *	10/2006	Yale	D8/105			
D530,092 S	10/2006	Roesler					
D542,111 S *	5/2007	Te	D8/105			
D544,329 S *	6/2007	Tansbo et al.	D8/105			
D549,542 S *	8/2007	Chiang	D8/105			
D550,959 S	9/2007	Miller et al.					
D552,352 S	10/2007	Lin					
7,290,657 B2	11/2007	Christensen					
D569,214 S *	5/2008	Telfser	D8/105			
2001/0008215 A1	7/2001	Colombo					
2003/0085141 A1	5/2003	Huang					
2005/0045508 A1	3/2005	Lu					
2007/0017837 A1	1/2007	McCambridge et al.					
2007/0095690 A1 *	5/2007	Nguy et al.	206/372			
2007/0108076 A1	5/2007	Miller et al.					
2007/0228047 A1	10/2007	Pehr et al.					

* cited by examiner

FIG. 1

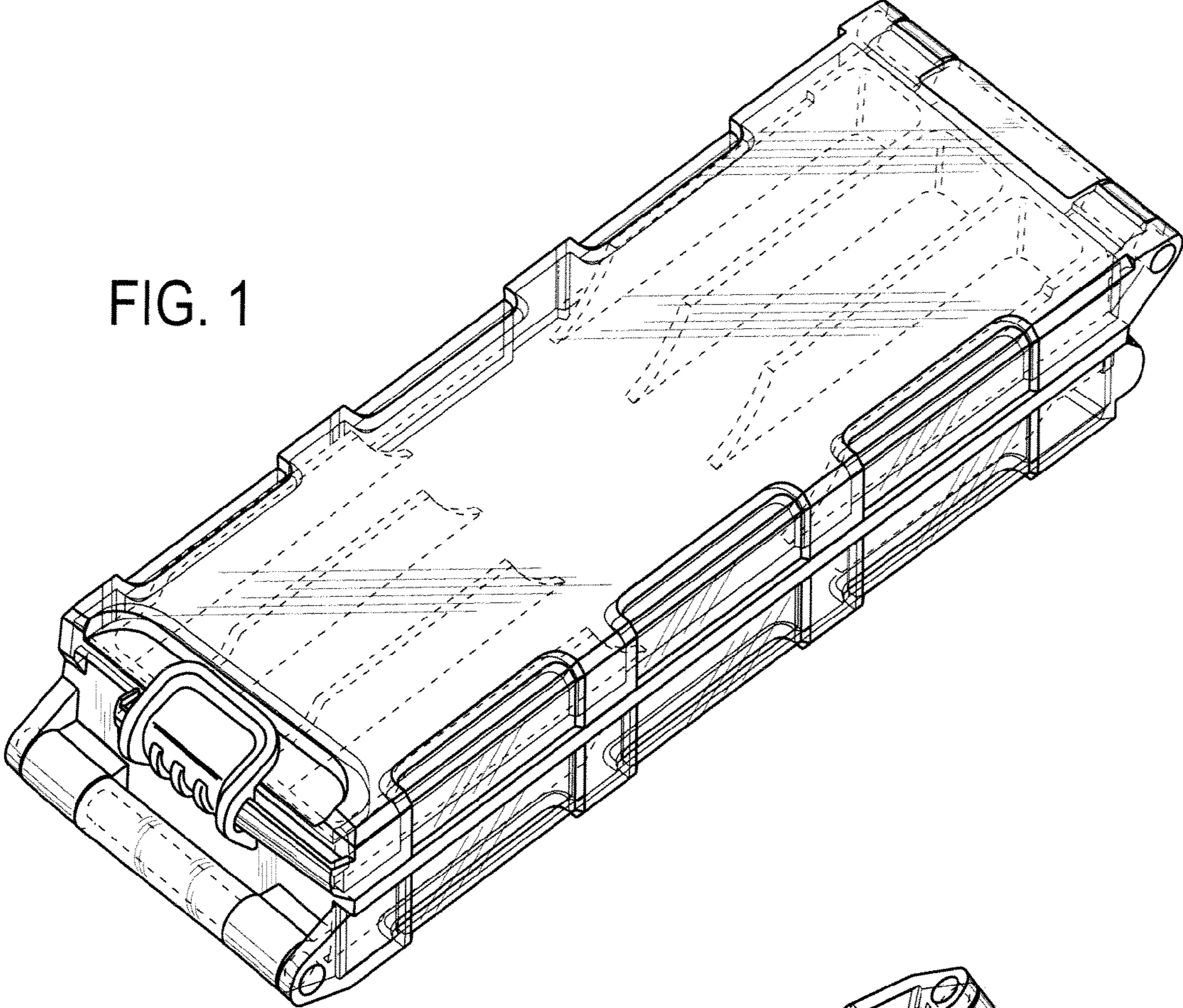
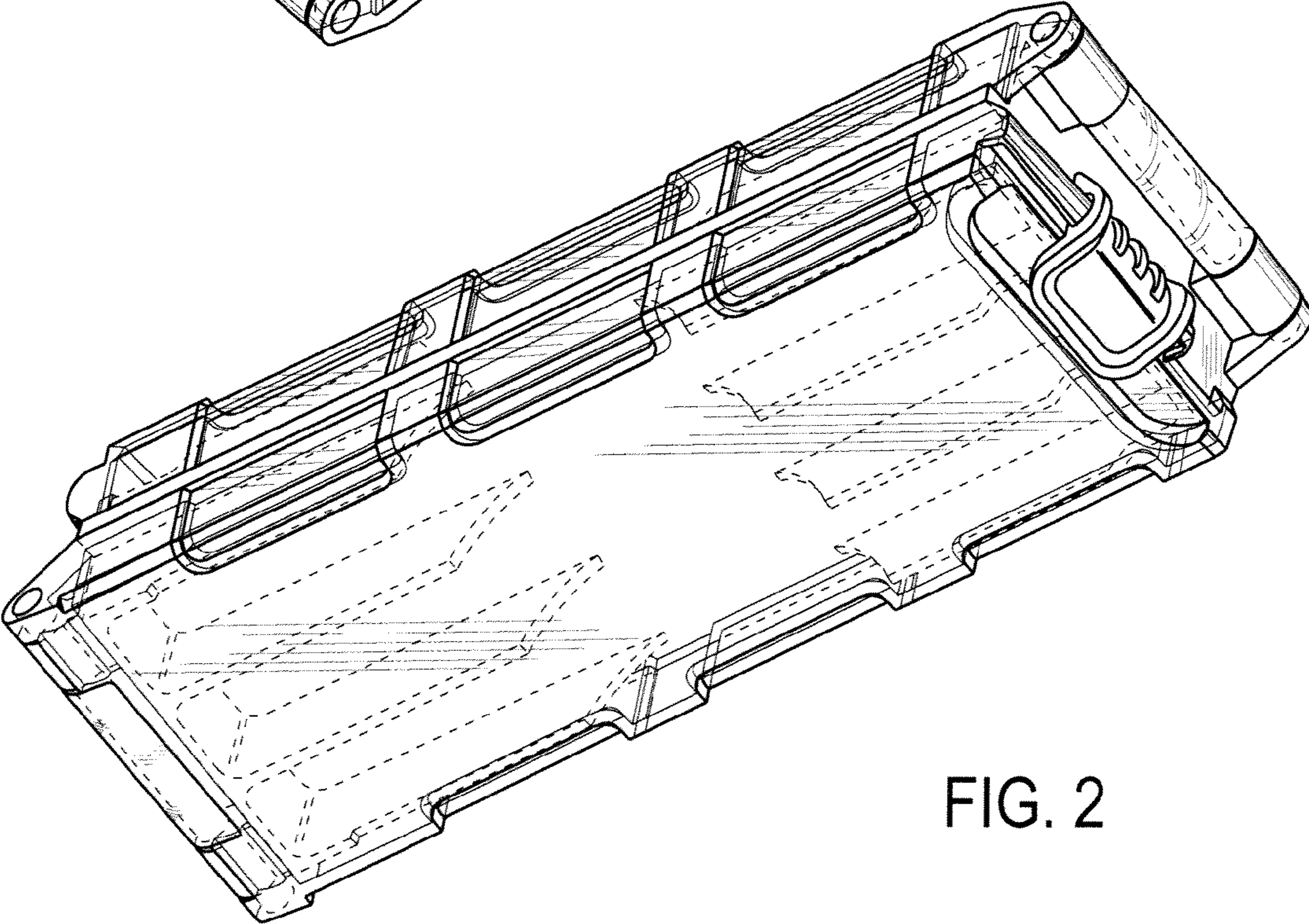


FIG. 2



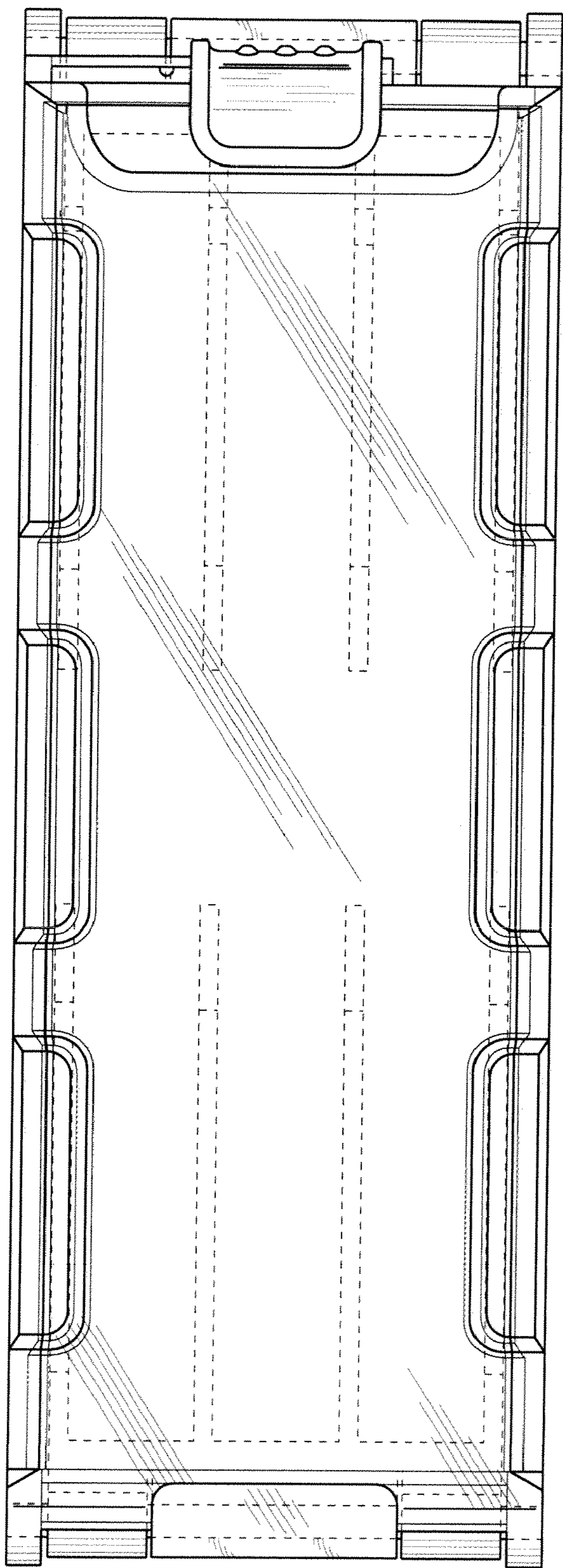


FIG. 3

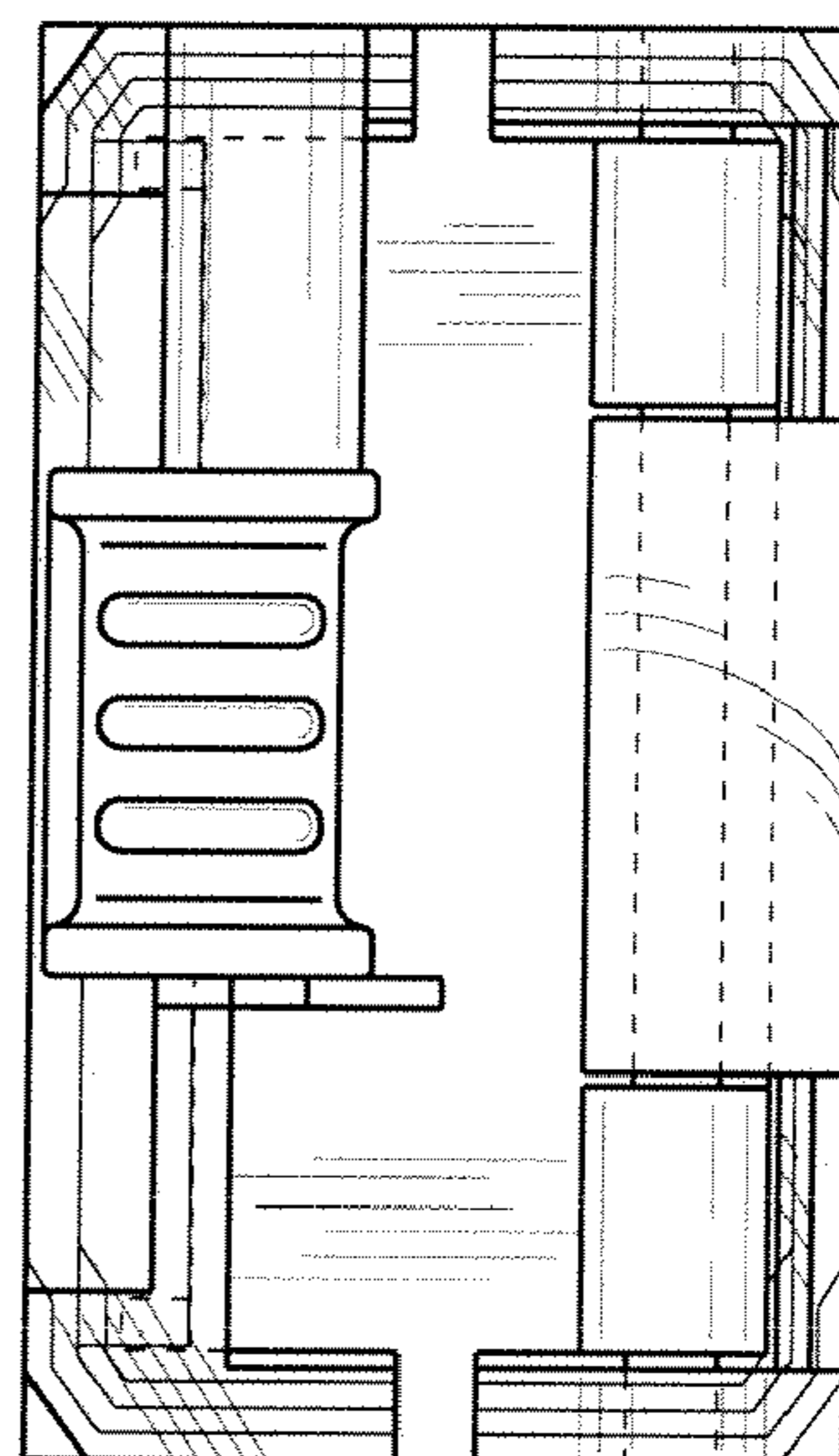


FIG. 4

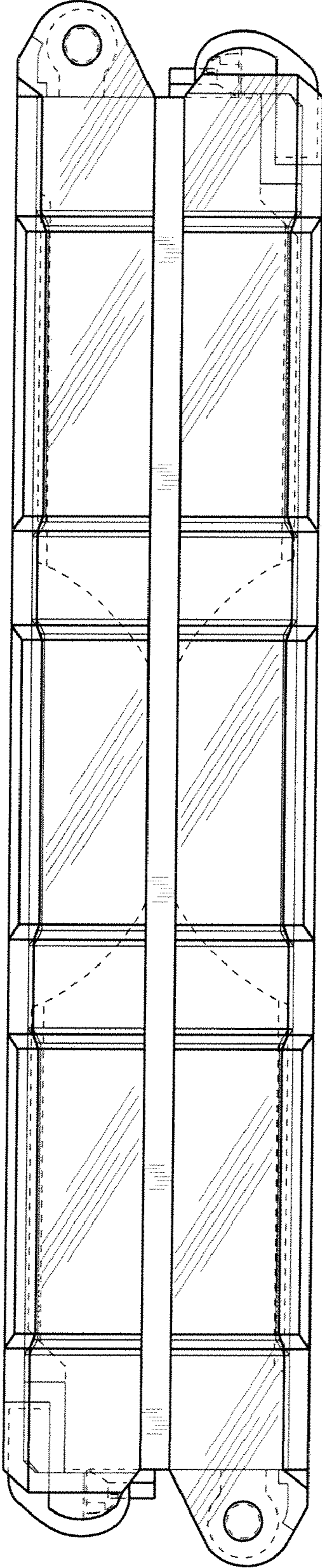


FIG. 5

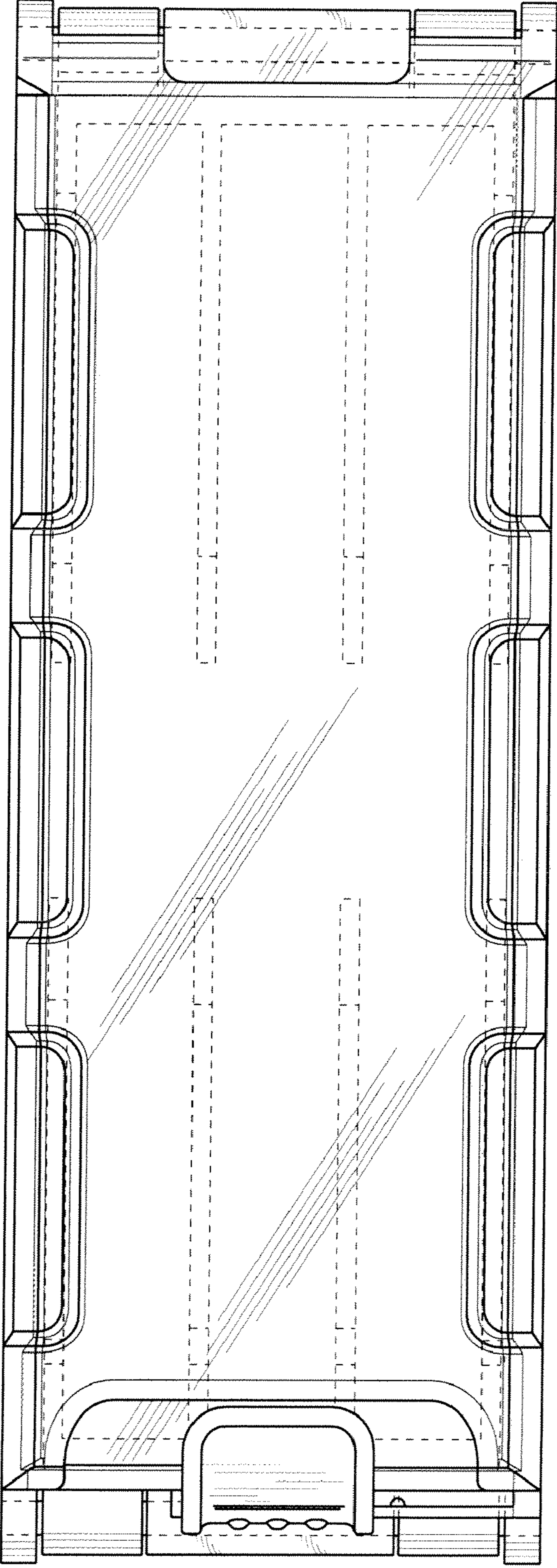


FIG. 6

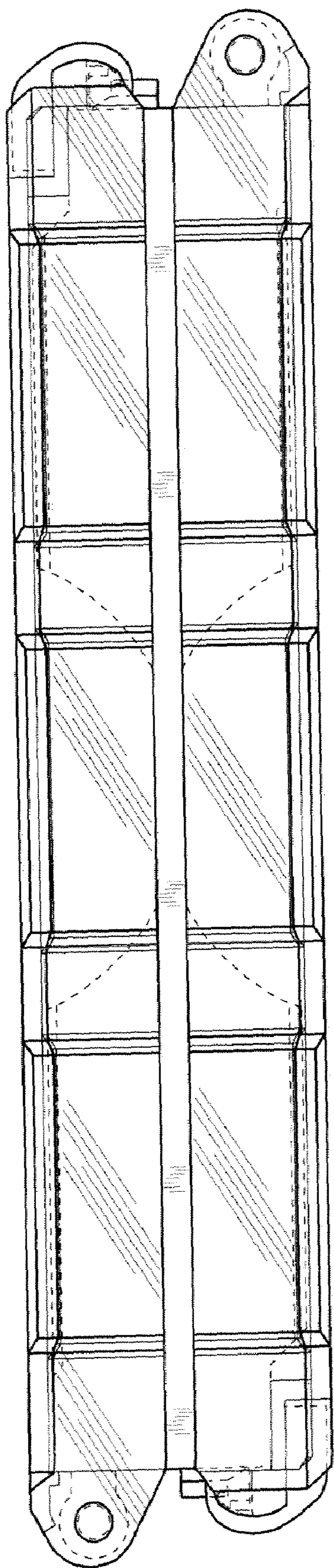


FIG. 7

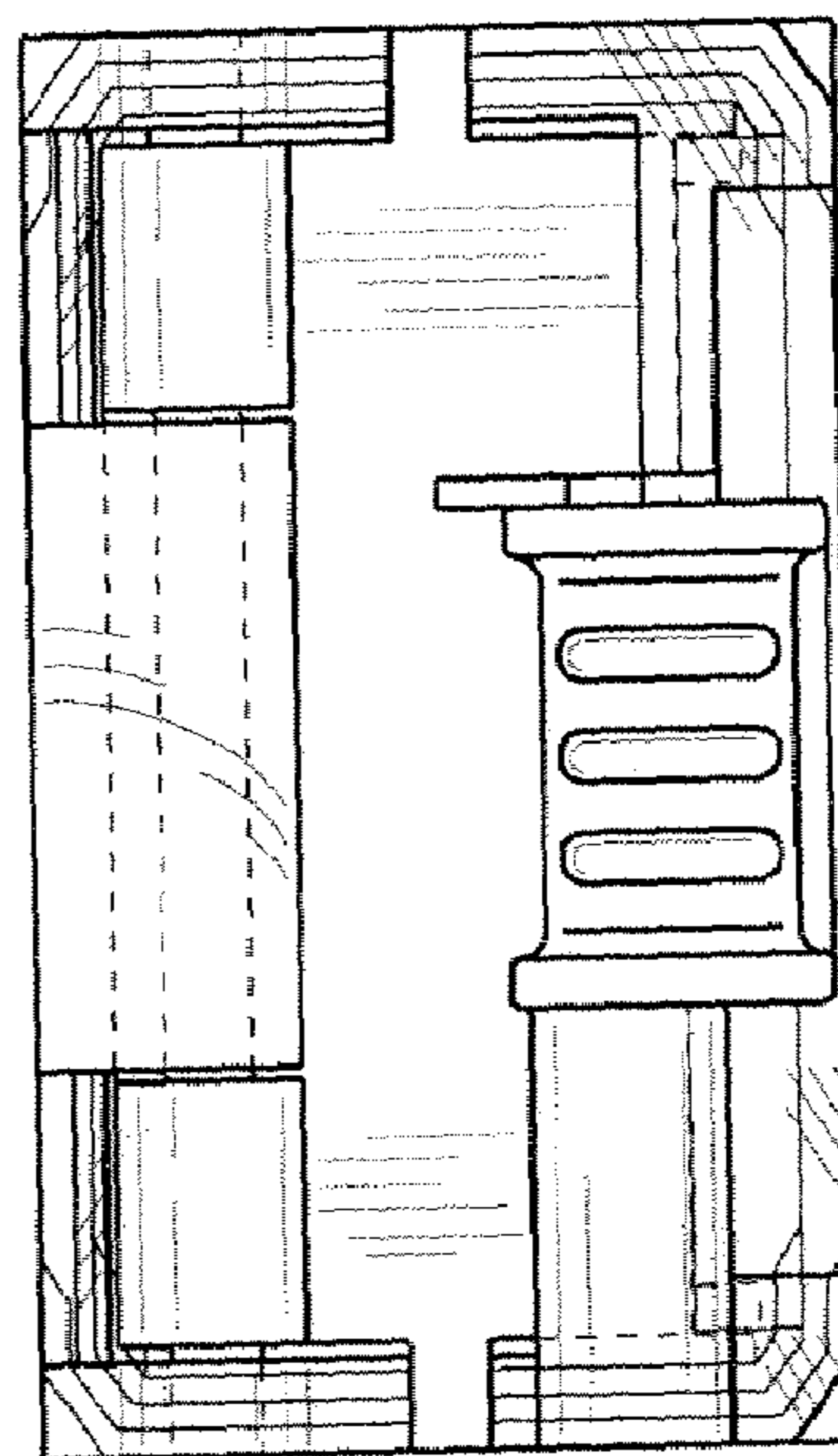


FIG. 8