

US00D605400S

(12) **United States Design Patent**  
**Matt**

(10) **Patent No.:** **US D605,400 S**

(45) **Date of Patent:** **\*\* Dec. 8, 2009**

(54) **WEARABLE FLASHLIGHT HOLDER**

D503,039 S \* 3/2005 Cook et al. .... D3/229  
D562,548 S \* 2/2008 Martin ..... D3/25

(76) Inventor: **August Matt**, 218 North Ave., Syracuse,  
NY (US) 13206

\* cited by examiner

(\*\*) Term: **14 Years**

*Primary Examiner*—Catherine R Oliver

(21) Appl. No.: **29/333,455**

(74) *Attorney, Agent, or Firm*—Marjama Muldoon Blasiak &  
Sullivan LLP

(22) Filed: **Mar. 10, 2009**

(57) **CLAIM**

(51) **LOC (9) Cl.** ..... **03-01**

The ornamental design for a wearable flashlight holder, as  
shown and described.

(52) **U.S. Cl.** ..... **D3/229**

(58) **Field of Classification Search** ..... D3/229,  
D3/215, 228, 224, 226, 221; 224/219, 222,  
224/267, 269, 251, 245, 665, 911, 901.8;  
2/170–171; D26/38–39

**DESCRIPTION**

See application file for complete search history.

FIG. 1 is a perspective view of a wearable flashlight holder  
illustrating my new design;

(56) **References Cited**

**U.S. PATENT DOCUMENTS**

2,024,281	A	*	12/1935	Gaskin	.....	362/103
2,165,625	A	*	7/1939	Fessel	.....	224/219
D328,820	S	*	8/1992	Davie	.....	D3/229
D344,411	S	*	2/1994	Henry et al.	.....	D3/229
D353,012	S	*	11/1994	Mihavetz	.....	D26/39
D374,770	S	*	10/1996	Case	.....	D3/229
D375,624	S	*	11/1996	Jensen	.....	D3/229
D381,805	S	*	8/1997	Case	.....	D3/229
D495,875	S	*	9/2004	Spence, Jr.	.....	D3/229

FIG. 2 is a front elevational view thereof, with a flashlight and  
a retaining clip situated therein;

FIG. 3 is a right elevational side view thereof;

FIG. 4 is a rear elevational view thereof;

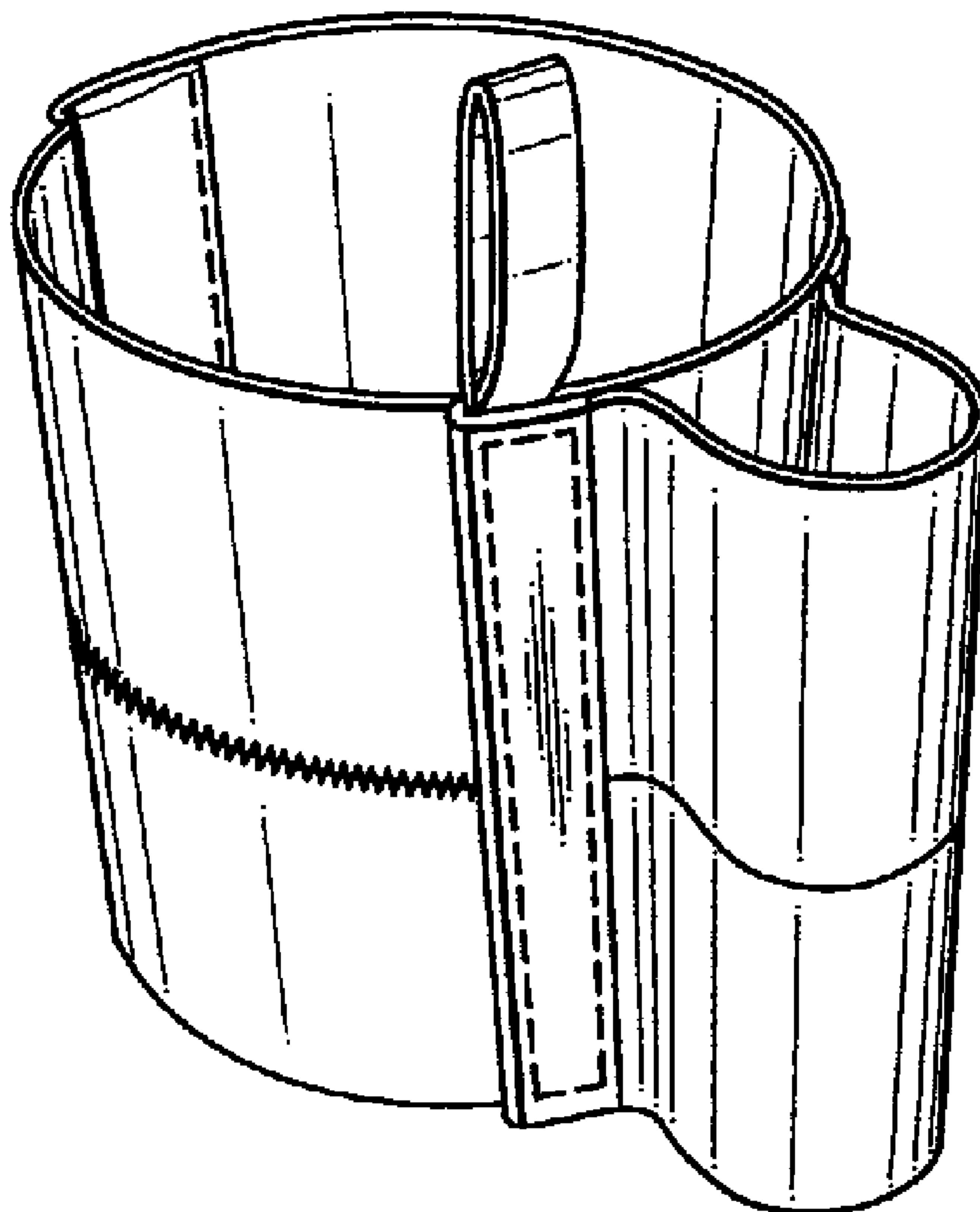
FIG. 5 is a left side elevational view thereof;

FIG. 6 is a top plan view thereof; and,

FIG. 7 is a bottom plan view thereof.

In FIG. 2, the broken line showing a flashlight and retaining  
clip situated within the wearable flashlight holder is for illus-  
trative purposes only and forms no part of the claimed design.

**1 Claim, 2 Drawing Sheets**



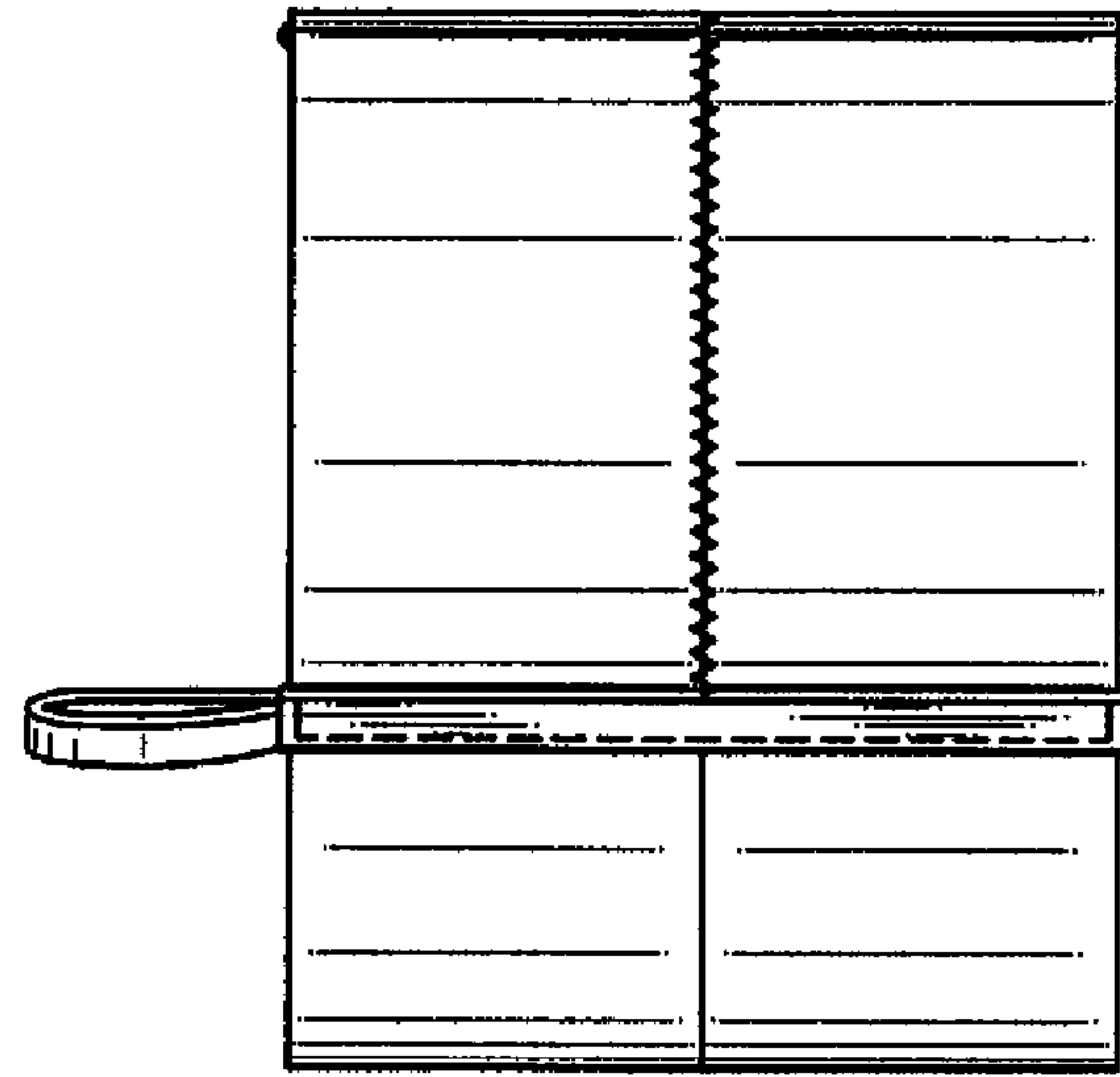


FIG. 3

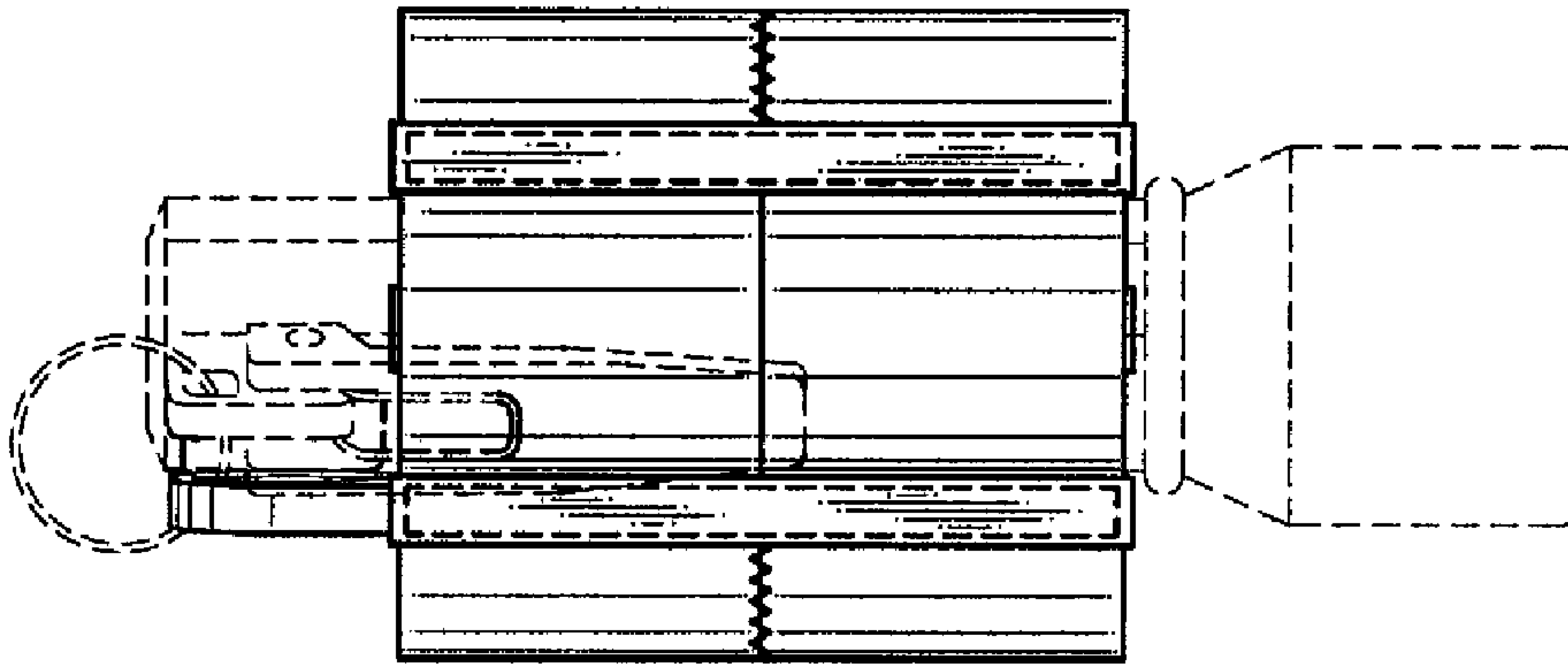


FIG. 2

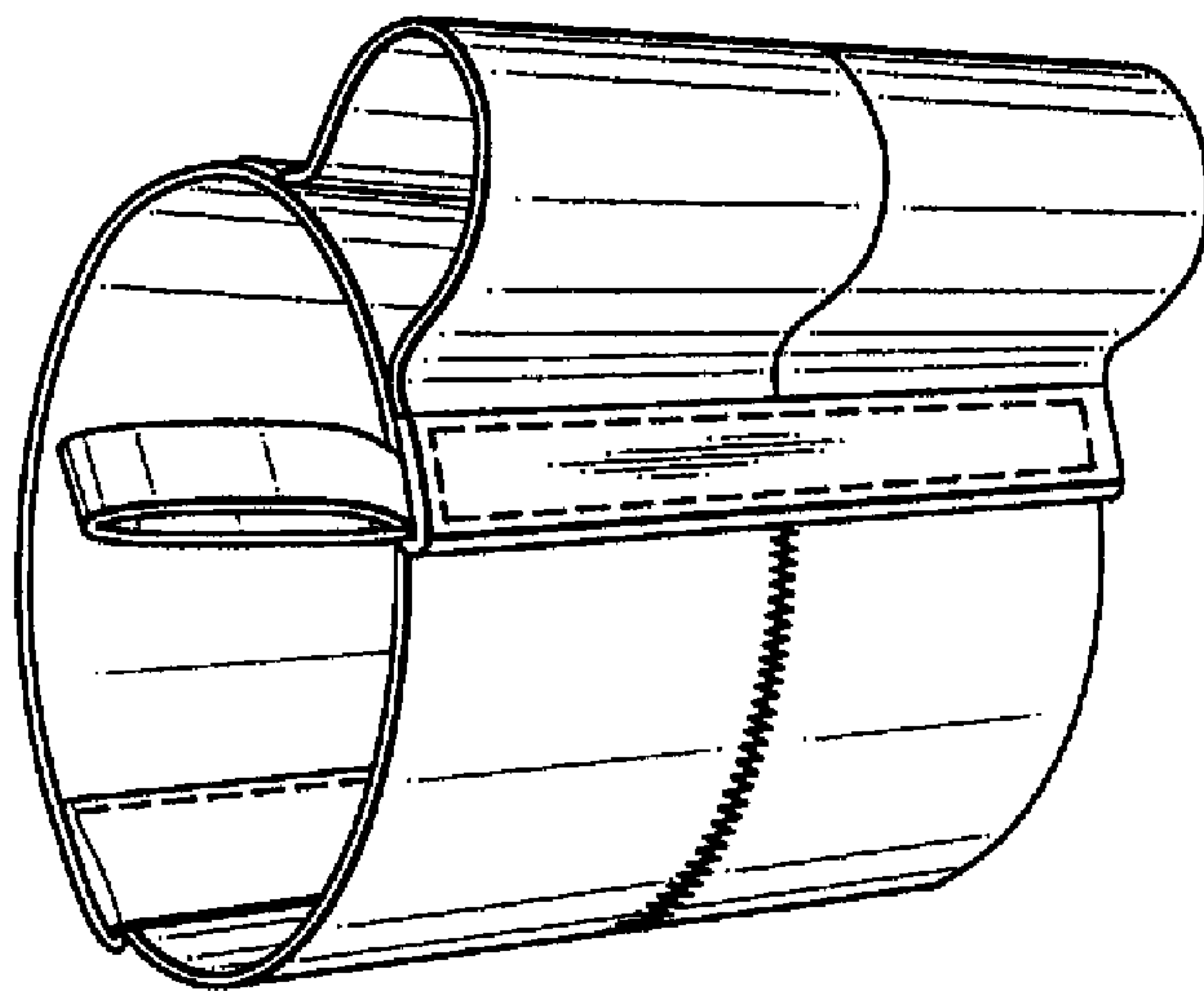
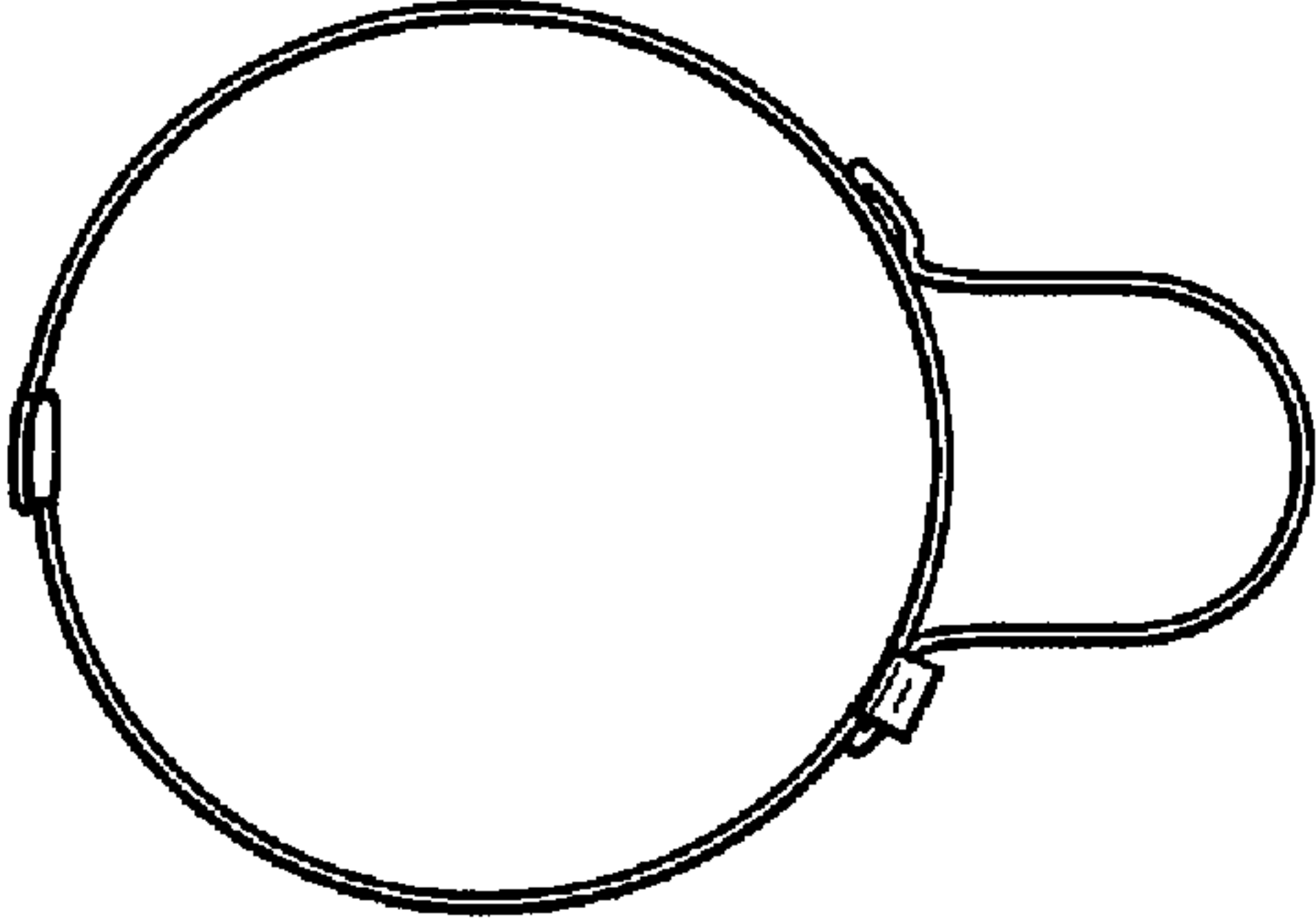
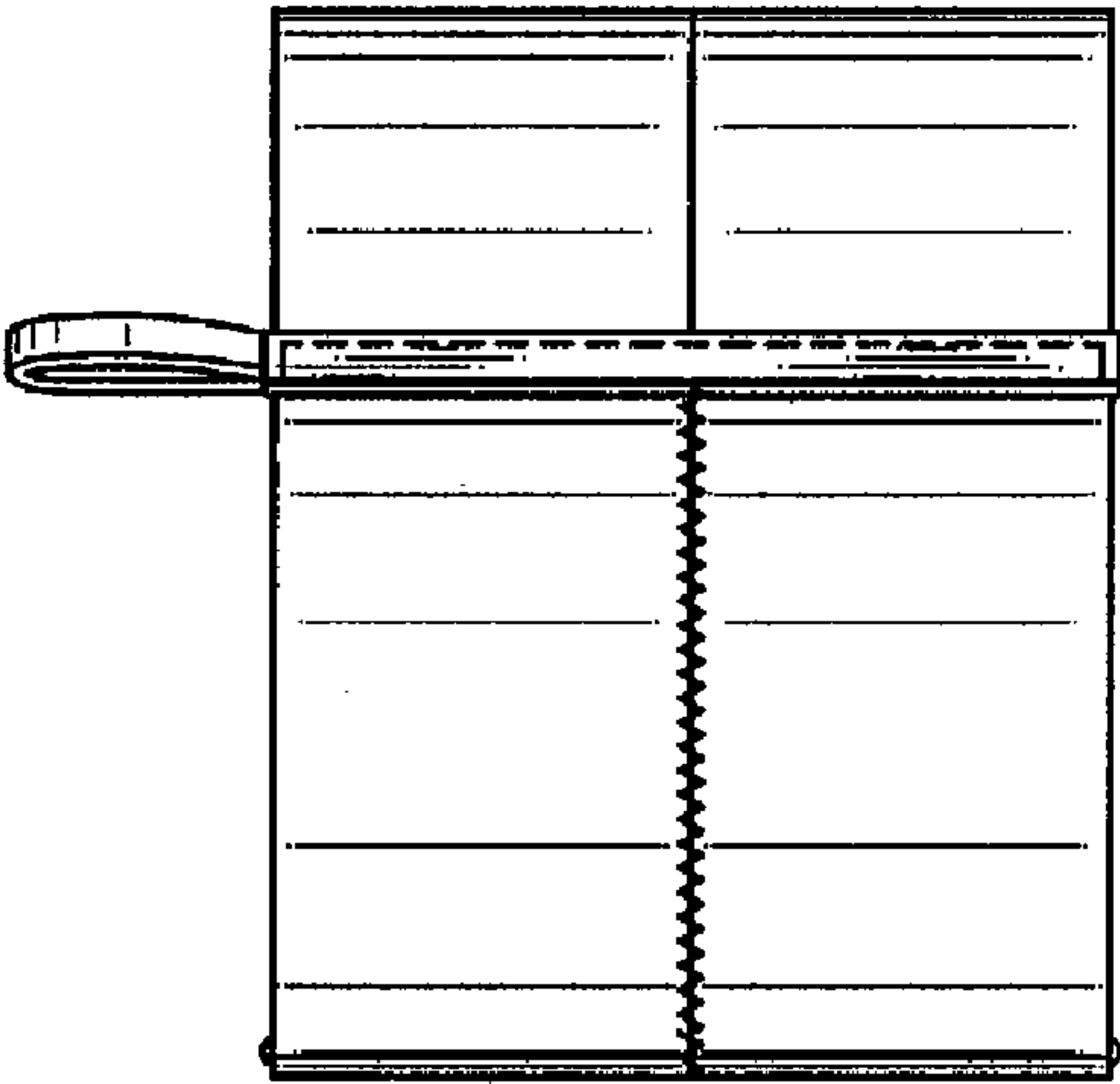
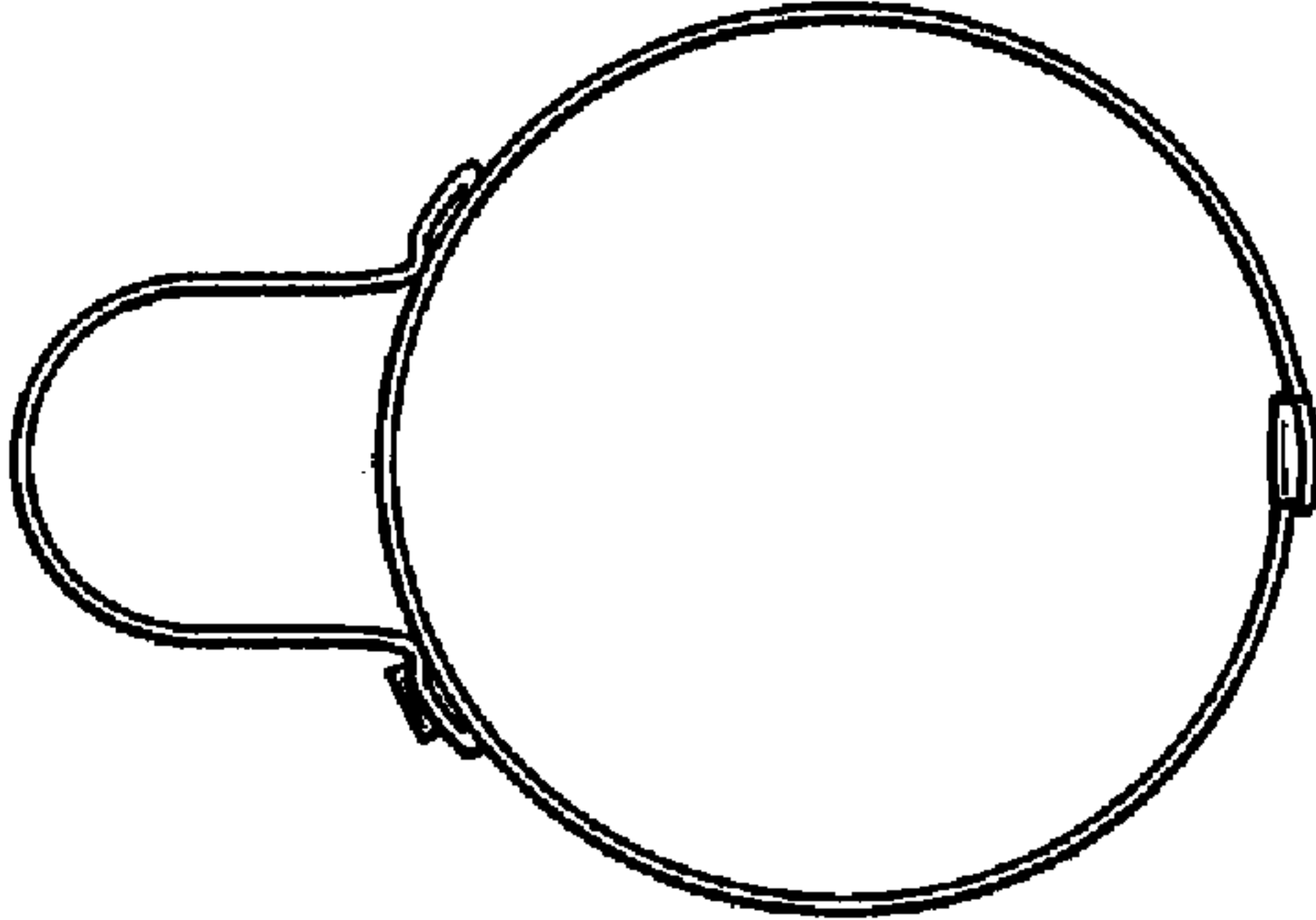


FIG. 1

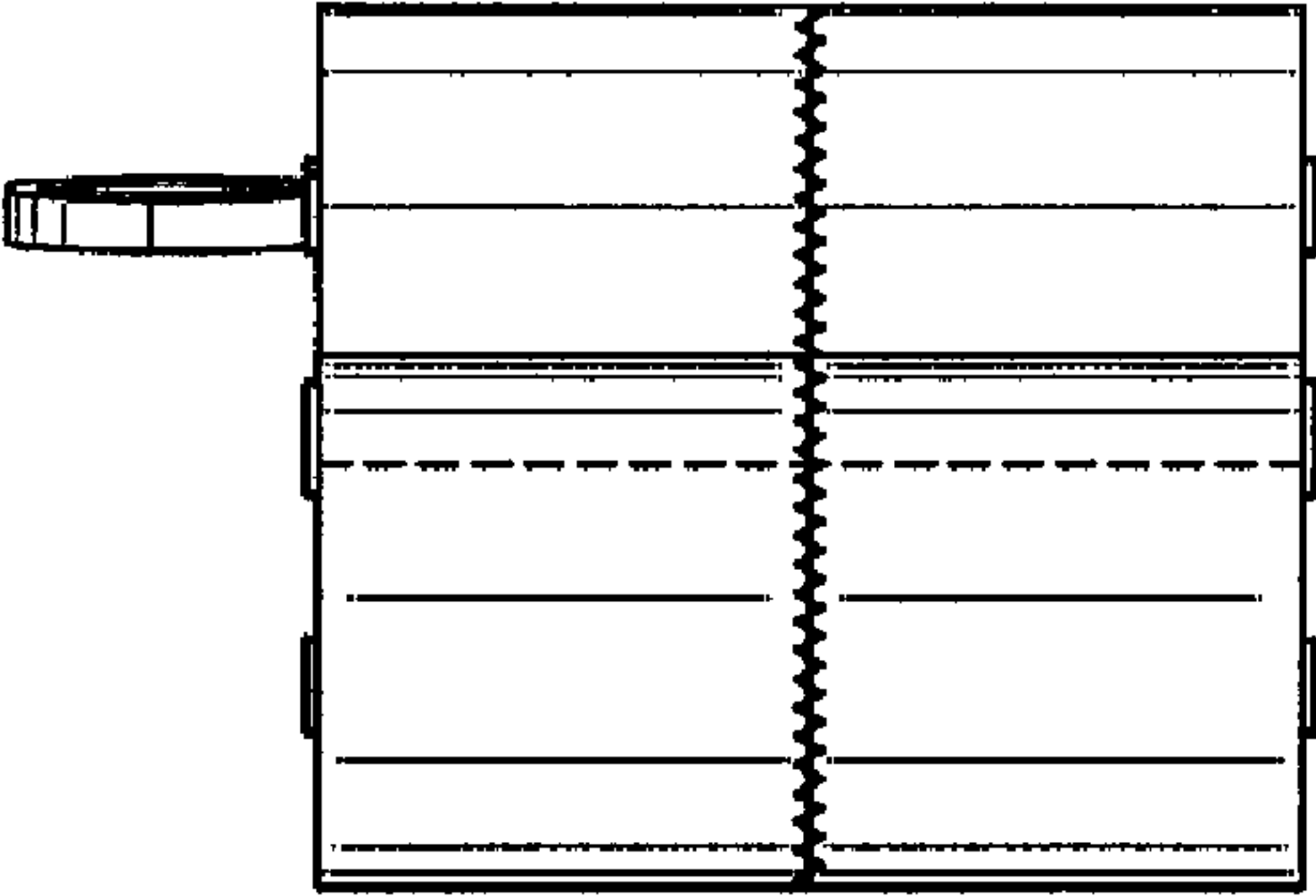
**FIG.6**



**FIG.7**



**FIG.5**



**FIG.4**