



US00D605381S

(12) **United States Design Patent**
Mastrantonio et al.

(10) **Patent No.:** **US D605,381 S**
(45) **Date of Patent:** **** Dec. 8, 2009**

- (54) **HAT STRAP SLEEVE**
 - (75) Inventors: **Rilio A. Mastrantonio**, Lansing, IL
(US); **John M. Rossi**, Naperville, IL
(US)
 - (73) Assignee: **Smart Frog Promotions, Inc.**,
Naperville, IL (US)
 - (**) Term: **14 Years**
 - (21) Appl. No.: **29/307,182**
 - (22) Filed: **Apr. 4, 2008**
 - (51) **LOC (9) Cl.** **02-03**
 - (52) **U.S. Cl.** **D2/891**
 - (58) **Field of Classification Search** D2/865,
D2/866, 872, 873, 876, 879, 882, 870, 878,
D2/880, 881, 884, 886, 891, 892, 893, 894,
D2/895, 639; D5/7; 2/10, 12, 425, 171.4,
2/171.5, 174, 183, 184, 209.11, 209.12, 209.13,
2/209.14, 175.1, 175.2, 175.3, 175.4, 175.5,
2/181.4, 195.1, 195.2, 195.3, 195.6, 200.1,
2/200.2; 40/329
- See application file for complete search history.

(56) **References Cited**

U.S. PATENT DOCUMENTS

- 9,190 A * 8/1852 Sherwood 2/181.6
- 345,660 A * 7/1886 Ashworth 2/339
- 590,374 A * 9/1897 Osburn 174/68.3
- D33,406 S * 10/1900 Schloss D5/7
- D40,046 S * 6/1909 Stone D5/7
- D65,405 S * 8/1924 Freihofer D5/7
- 1,871,426 A * 8/1932 Schmitt 206/474
- 2,445,209 A * 7/1948 Clark 2/181.4
- D192,651 S * 4/1962 Seery D5/1
- 3,316,136 A * 4/1967 Pufahl 156/160
- D214,233 S * 5/1969 Mox D5/7
- 5,003,640 A 4/1991 Pizzacar
- 5,315,714 A * 5/1994 Peters et al. 2/181.4
- D354,842 S * 1/1995 Imre 2/891
- 5,398,345 A * 3/1995 Kenneth et al. 2/247

- 5,428,844 A * 7/1995 Dougherty 2/209.13
- 5,429,588 A * 7/1995 Young et al. 602/27
- 5,499,402 A * 3/1996 Rose 2/209.13
- 5,519,891 A * 5/1996 Peters et al. 2/181.4
- 5,519,892 A * 5/1996 Pizzacar 2/195.2
- 5,546,605 A * 8/1996 Mallardi 2/209.13
- D373,454 S * 9/1996 Ramirez D2/891
- D375,827 S * 11/1996 Will D2/891
- 5,600,855 A * 2/1997 Ramirez 2/209.13
- 5,687,425 A * 11/1997 Blosser 2/209.13
- D396,547 S * 8/1998 Capparella D2/884
- D396,938 S * 8/1998 Bugatti D2/639
- 5,845,987 A * 12/1998 Painter 362/206
- D412,937 S * 8/1999 Franklin D20/27
- 5,950,242 A 9/1999 Mahoney
- 5,956,773 A * 9/1999 LaMantia 2/195.1
- 6,006,362 A * 12/1999 Walsh 2/209.13
- 6,021,525 A * 2/2000 Mertins 2/172

(Continued)

FOREIGN PATENT DOCUMENTS

GB 2058435 * 7/1997

Primary Examiner—Elizabeth A Albert

Assistant Examiner—Karen E Eldridge Powers

(74) *Attorney, Agent, or Firm*—Brinks Hofer Gilson & Lione

(57) **CLAIM**

I claim the ornamental design for a hat strap sleeve, as shown and described.

DESCRIPTION

FIG. 1 is a perspective view of a hat strap sleeve;

FIG. 2 is a front view thereof;

FIG. 3 is a rear view thereof;

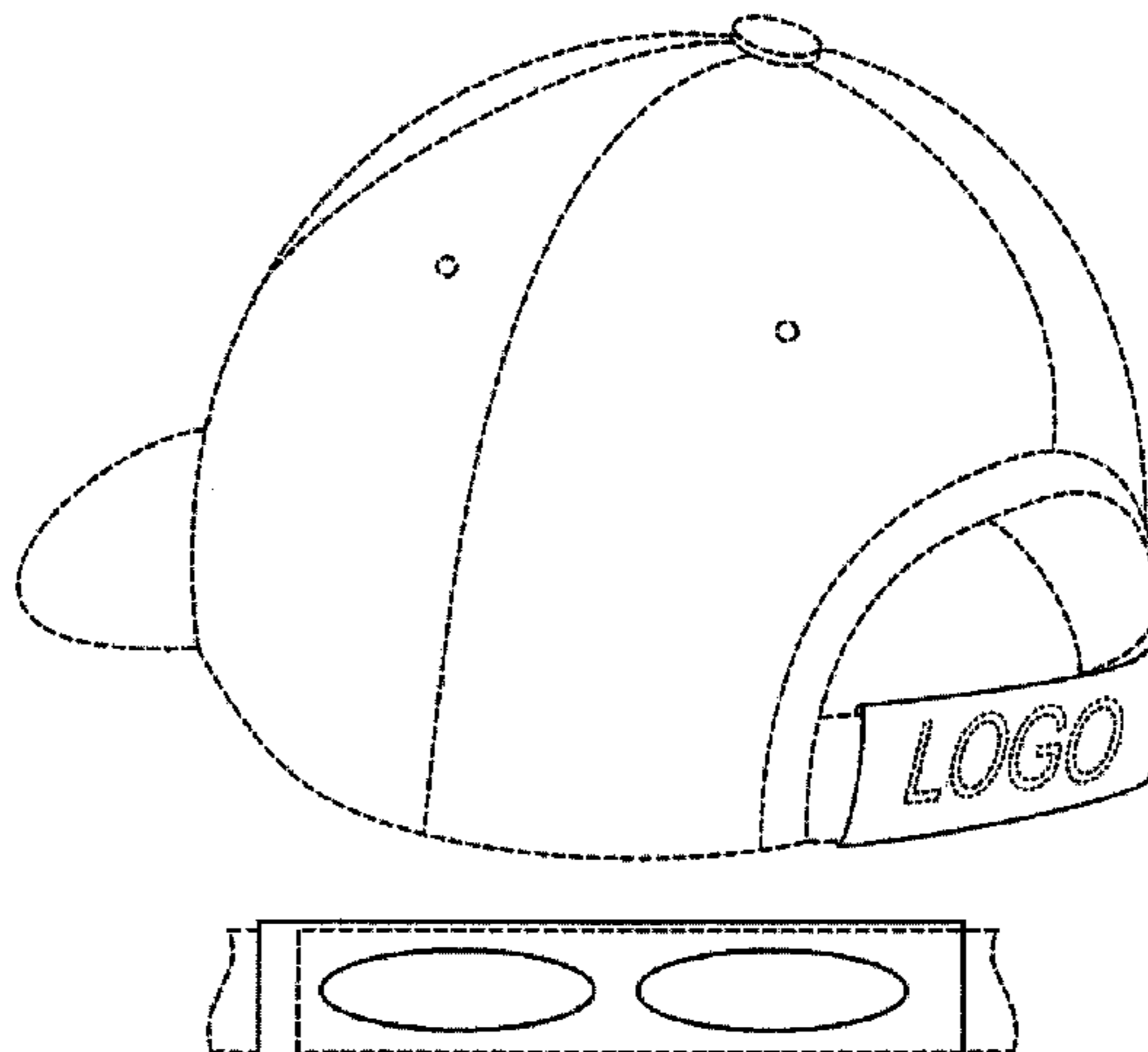
FIG. 4 is a side view thereof;

FIG. 5 is a top view thereof; and,

FIG. 6 is a bottom view thereof.

The broken lines shown in the drawings illustrate environmental matter and form no part of the claimed design.

1 Claim, 2 Drawing Sheets



US D605,381 S

Page 2

U.S. PATENT DOCUMENTS

6,052,823	A *	4/2000	Wilks	2/13	7,140,047	B2 *	11/2006	Kronenberger	2/209.13
6,282,725	B1 *	9/2001	Vanidestine, Jr.	2/421	7,213,271	B1 *	5/2007	Bielefeld	2/416
D452,779	S *	1/2002	Jacobs	D5/58	7,219,374	B2 *	5/2007	Cho	2/181
6,446,266	B1 *	9/2002	Park	2/195.1	2001/0042261	A1 *	11/2001	Bean	2/209.13
6,484,322	B2 *	11/2002	Christian	2/209.13	2002/0108165	A1 *	8/2002	Porter et al.	2/195.2
6,546,563	B2 *	4/2003	Young	2/181	2002/0152539	A1 *	10/2002	Christian	2/209.13
6,712,493	B2 *	3/2004	Tell et al.	362/565	2004/0093655	A1 *	5/2004	Cho	2/12
6,857,134	B1 *	2/2005	Cowell	2/209.13	2006/0174398	A1 *	8/2006	Proctor	2/209.13
						2008/0071224	A1 *	3/2008	Forsyth	604/179

* cited by examiner

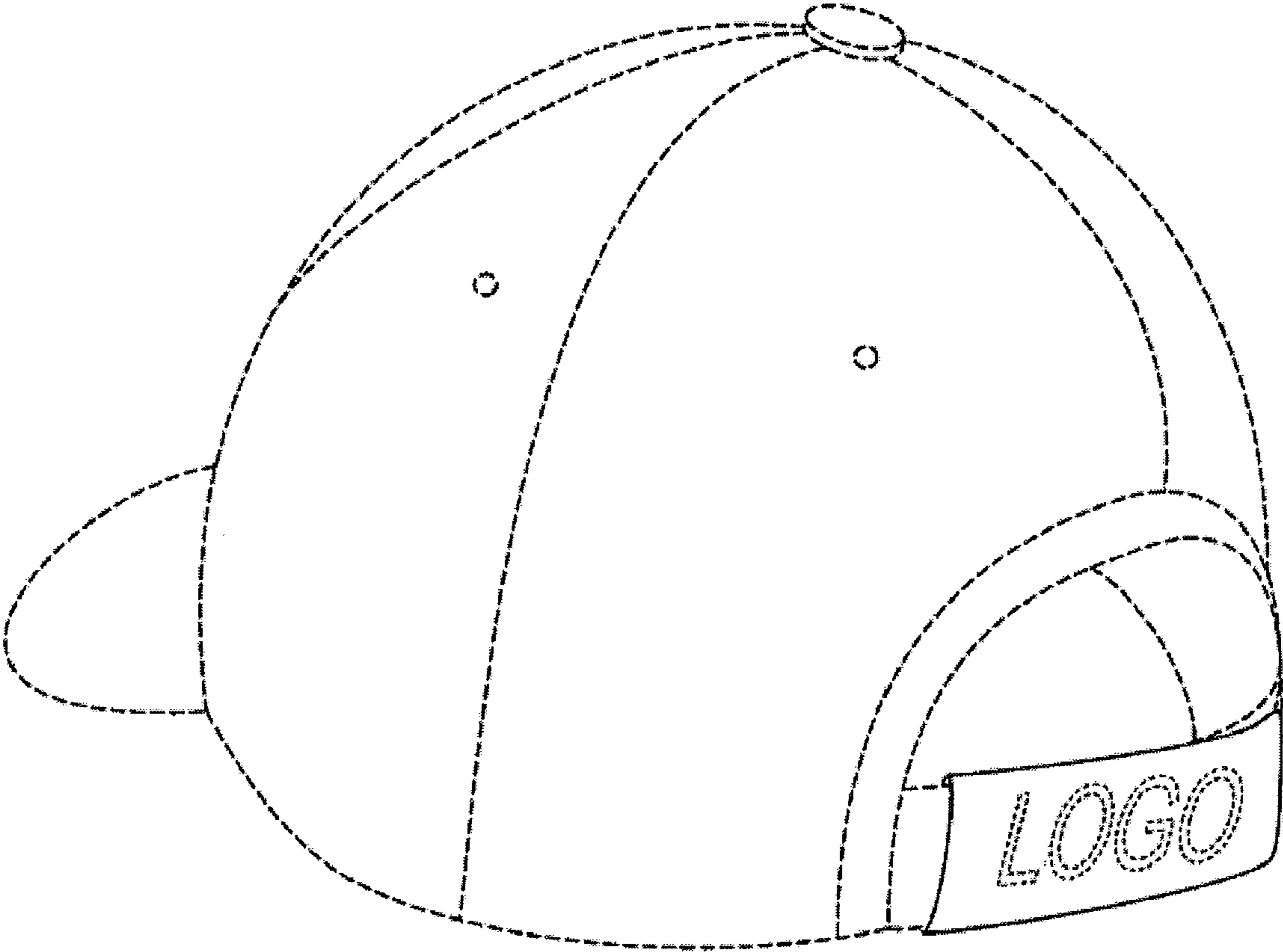


Fig. 1

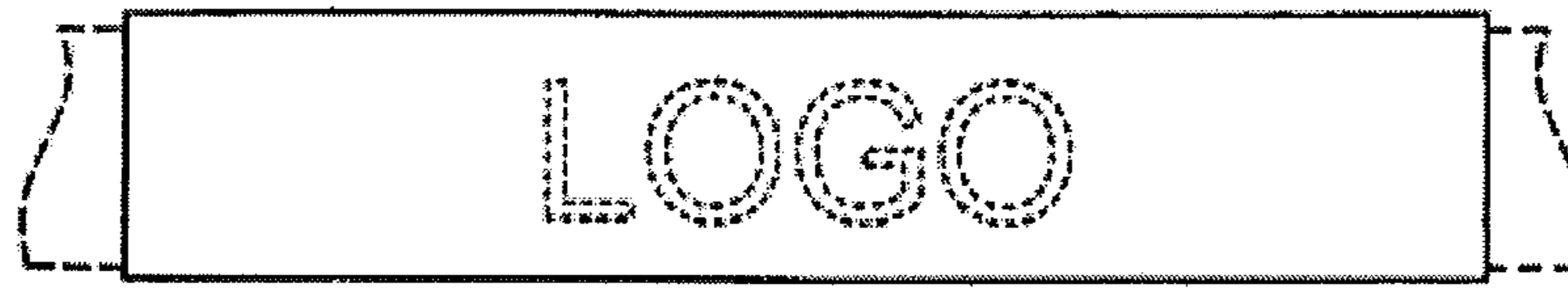


Fig. 2

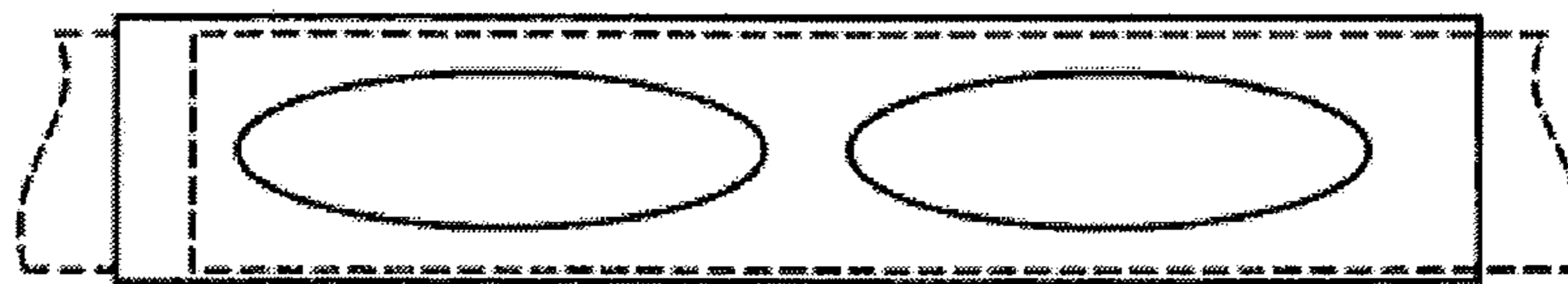


Fig. 3



Fig. 4

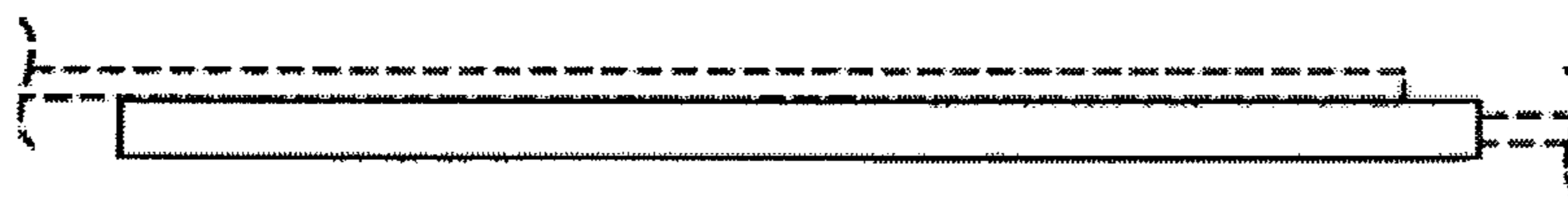


Fig. 5

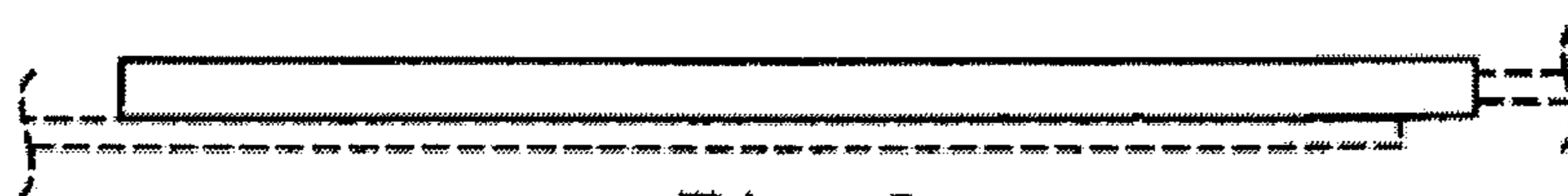


Fig. 6