



US00D605380S

(12) **United States Design Patent**  
**Denny**

(10) **Patent No.:** **US D605,380 S**  
(45) **Date of Patent:** **\*\* Dec. 8, 2009**

(54) **HAT**  
(76) **Inventor:** **Zina Ann Denny**, 4941 Hummingbird  
La., Juneau, AK (US) 99801  
(\*\*) **Term:** **14 Years**  
(21) **Appl. No.:** **29/339,064**  
(22) **Filed:** **Jun. 23, 2009**

D392,926 S \* 3/1998 Adelaar ..... D12/162  
6,170,087 B1 \* 1/2001 Brannon ..... 2/209.13  
D458,735 S \* 6/2002 Cook et al. .... D2/869  
D470,643 S \* 2/2003 Brown ..... D2/886  
D474,326 S \* 5/2003 Williams ..... D2/886  
6,561,393 B1 \* 5/2003 Cheng ..... 2/171.03  
D513,988 S \* 1/2006 Malik ..... D9/451  
D538,513 S \* 3/2007 Serratelli ..... D2/888

(51) **LOC (9) Cl.** ..... **02-03**  
(52) **U.S. Cl.** ..... **D2/887**  
(58) **Field of Classification Search** ..... D2/865,  
D2/866, 869, 878, 879, 882, 886, 887, 888;  
2/171, 175.1, 175.3, 175.4, 175.5  
See application file for complete search history.

**OTHER PUBLICATIONS**

Denny, Zina Ann, Hat, A co-pending U.S. Design patent application by the inventor of this application U.S. Appl. No. 29/339,054, filed Jun. 23, 2009.  
Denny, Zina Ann, Hat, A co-pending U.S. Design patent application by the inventor of this application U.S. Appl. No. 29/339,055, filed Jun. 23, 2009.

\* cited by examiner

*Primary Examiner*—Elizabeth A Albert  
*Assistant Examiner*—Karen E Eldridge Powers  
(74) *Attorney, Agent, or Firm*—Gerard Carlson, Agent

(56) **References Cited**  
U.S. PATENT DOCUMENTS

31,724 A \* 3/1861 Lyon et al. .... 2/207  
D1,701 S 12/1862 Warburton  
D4,356 S 9/1870 Wentworth  
218,086 A \* 7/1879 Thompson ..... 2/175.3  
D35,660 S 2/1902 Mundheim  
D69,439 S 2/1926 Caradine et al.  
1,672,217 A \* 6/1928 Holmes ..... 2/175.3  
D123,182 S 10/1940 Stricker  
D153,538 S \* 4/1949 Moore ..... D2/887  
D169,486 S 5/1953 Hoefflich  
D175,061 S \* 6/1955 Young ..... D2/865  
D175,451 S \* 8/1955 Young ..... D2/865  
2,725,571 A \* 12/1955 Young ..... 2/175.2  
2,879,518 A 3/1959 Welton  
D280,147 S 8/1985 Wolff  
D287,062 S 12/1986 Hancock  
D350,427 S \* 9/1994 Vig et al. .... D2/887  
5,369,808 A \* 12/1994 Brewer et al. .... 2/175.3  
D359,383 S \* 6/1995 Hutchinson et al. .... D2/866  
5,592,696 A \* 1/1997 Oliver ..... 2/175.3  
D386,305 S \* 11/1997 Lau ..... D3/271.4

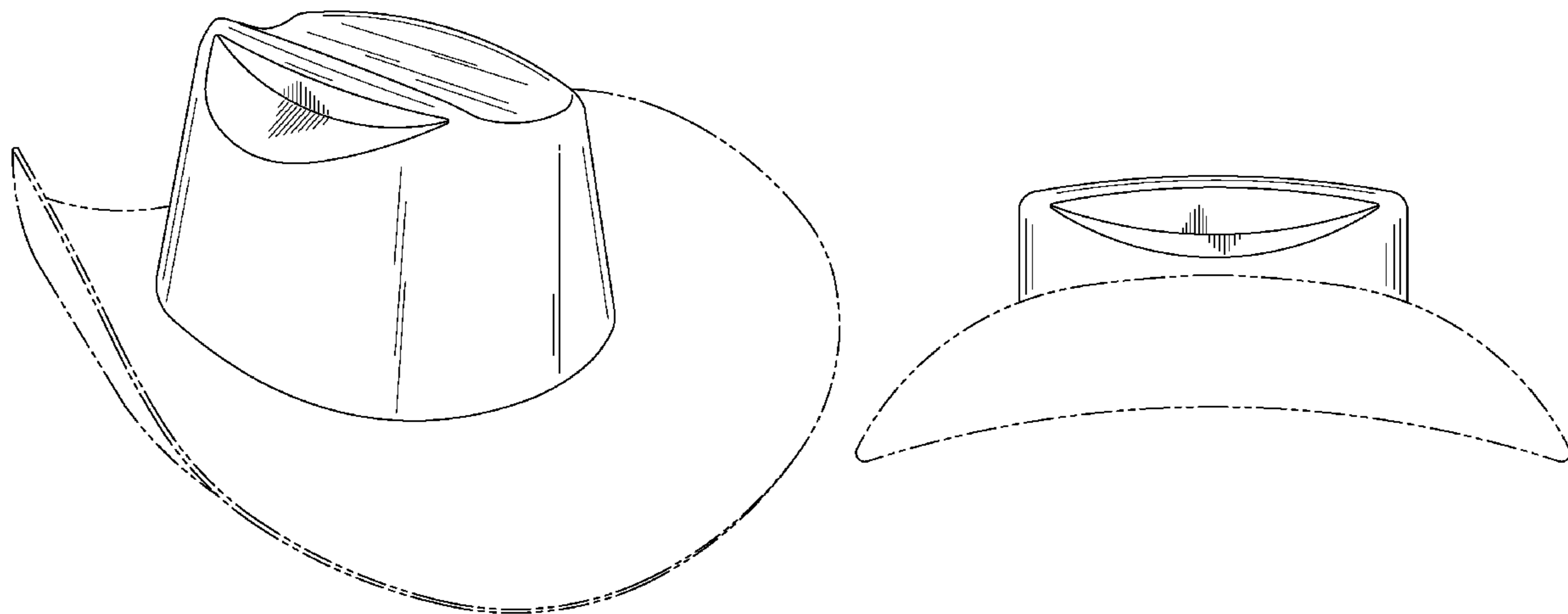
(57) **CLAIM**

The ornamental design for a hat, as shown and described.

**DESCRIPTION**

FIG. 1 is a front perspective view of the hat;  
FIG. 2 is a front elevation view of the hat, the rear elevation view being a mirror image thereof;  
FIG. 3 is a left side elevation view of the hat, the right side elevation view being a mirror image thereof; and,  
FIG. 4 is a plan view of the hat from above, is not shown because it has no ornamental content.  
FIGS. 1–4, the broken lines showing the brim of the hat are for the purpose of illustrating environmental structure only and form no part of the claimed design.

**1 Claim, 2 Drawing Sheets**



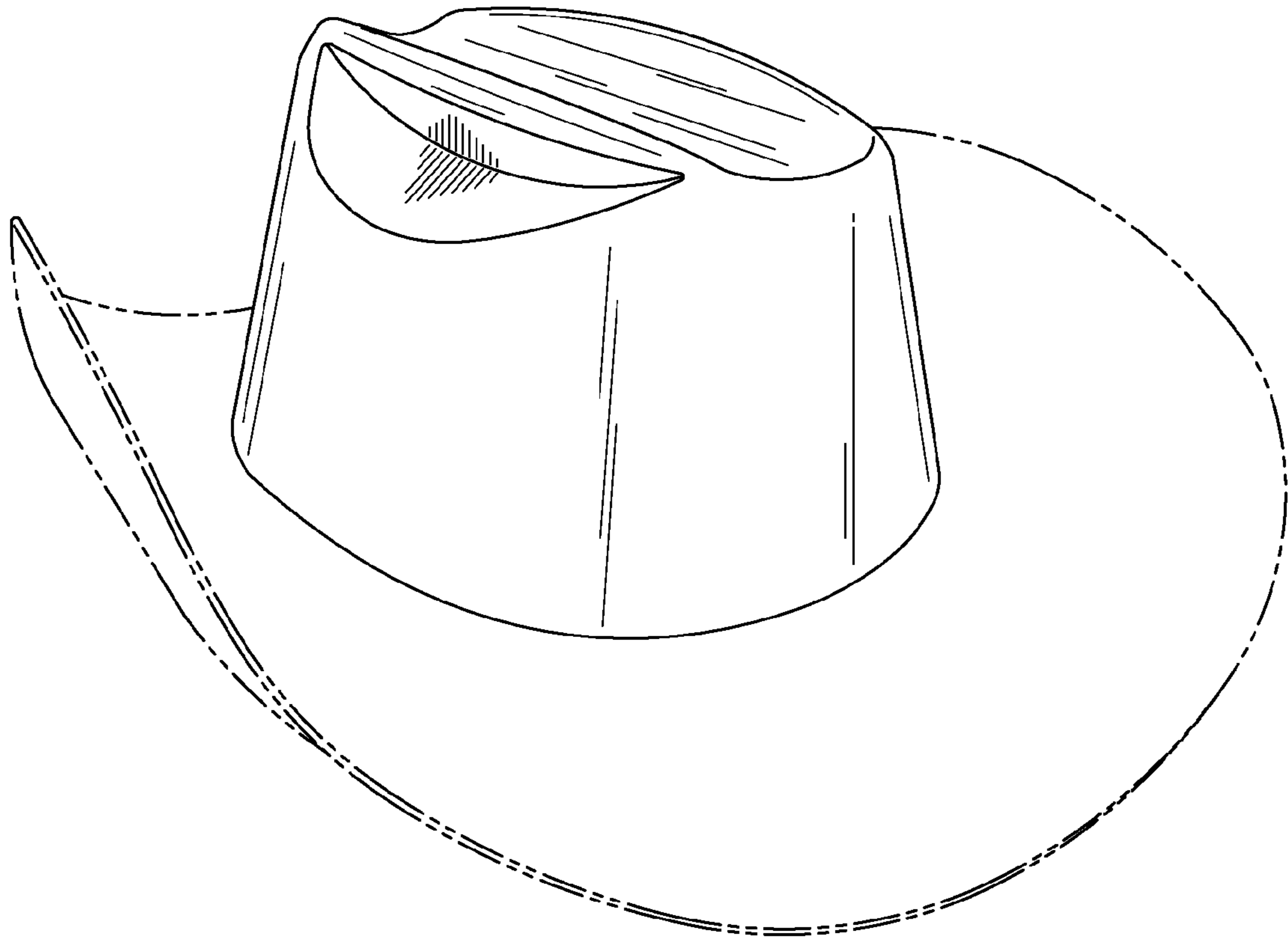


FIG. 1

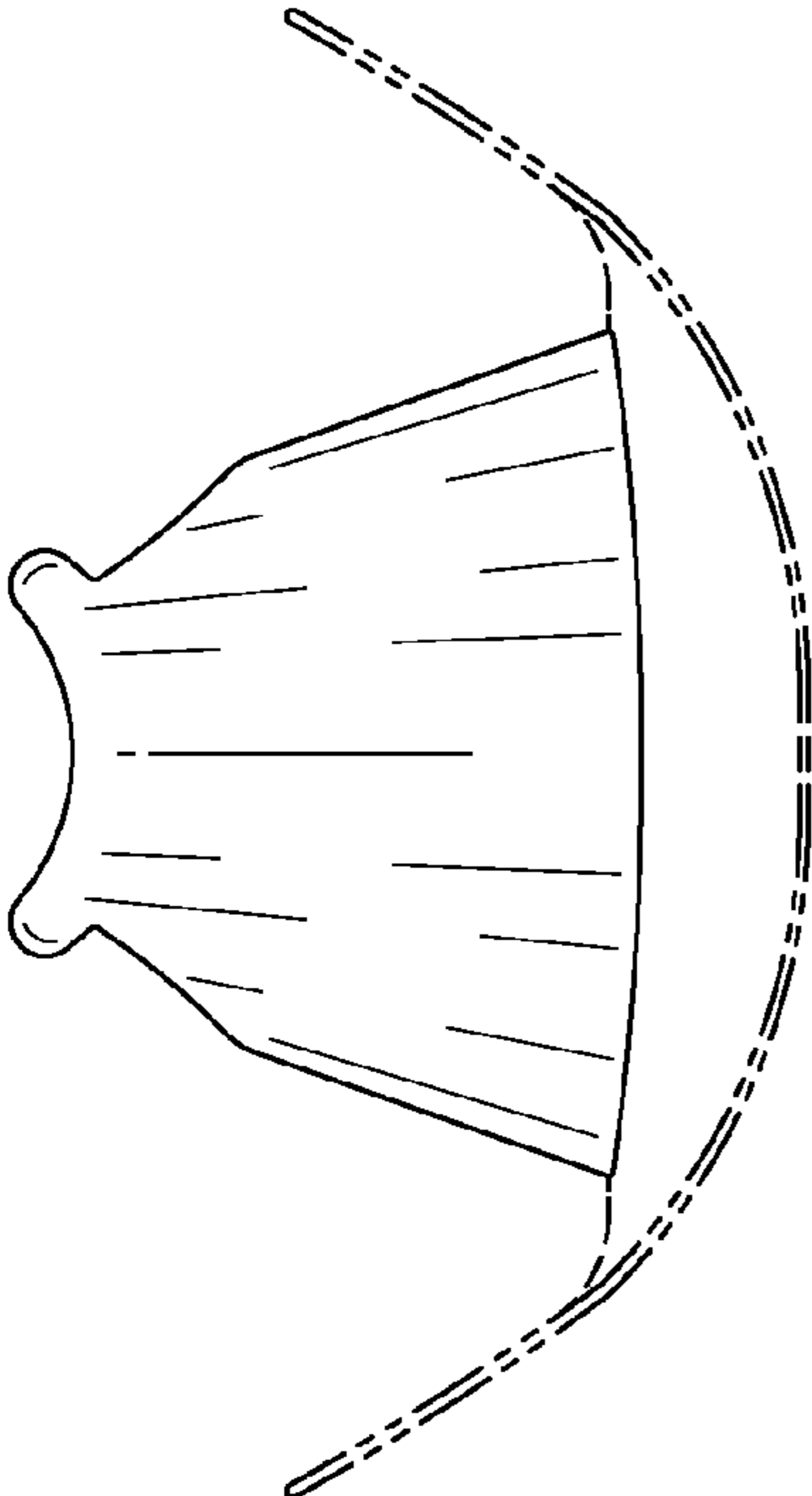


FIG. 2

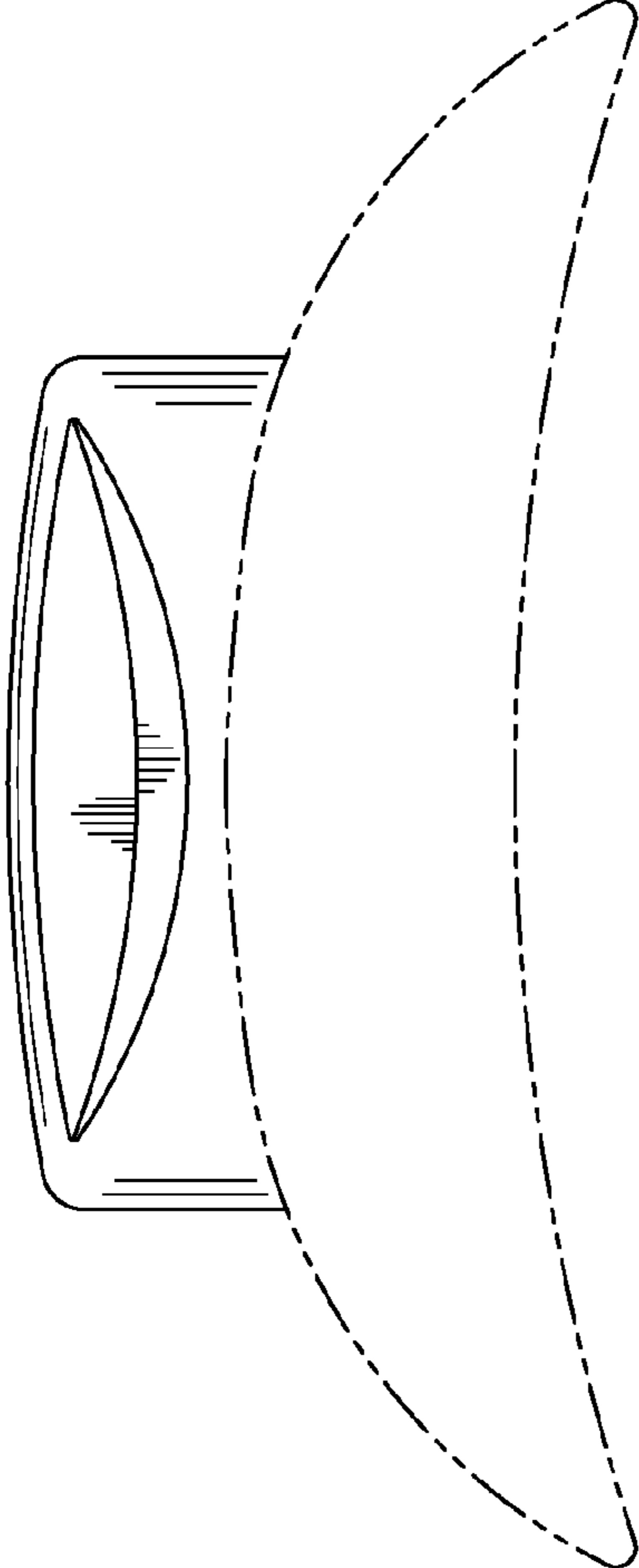


FIG. 3

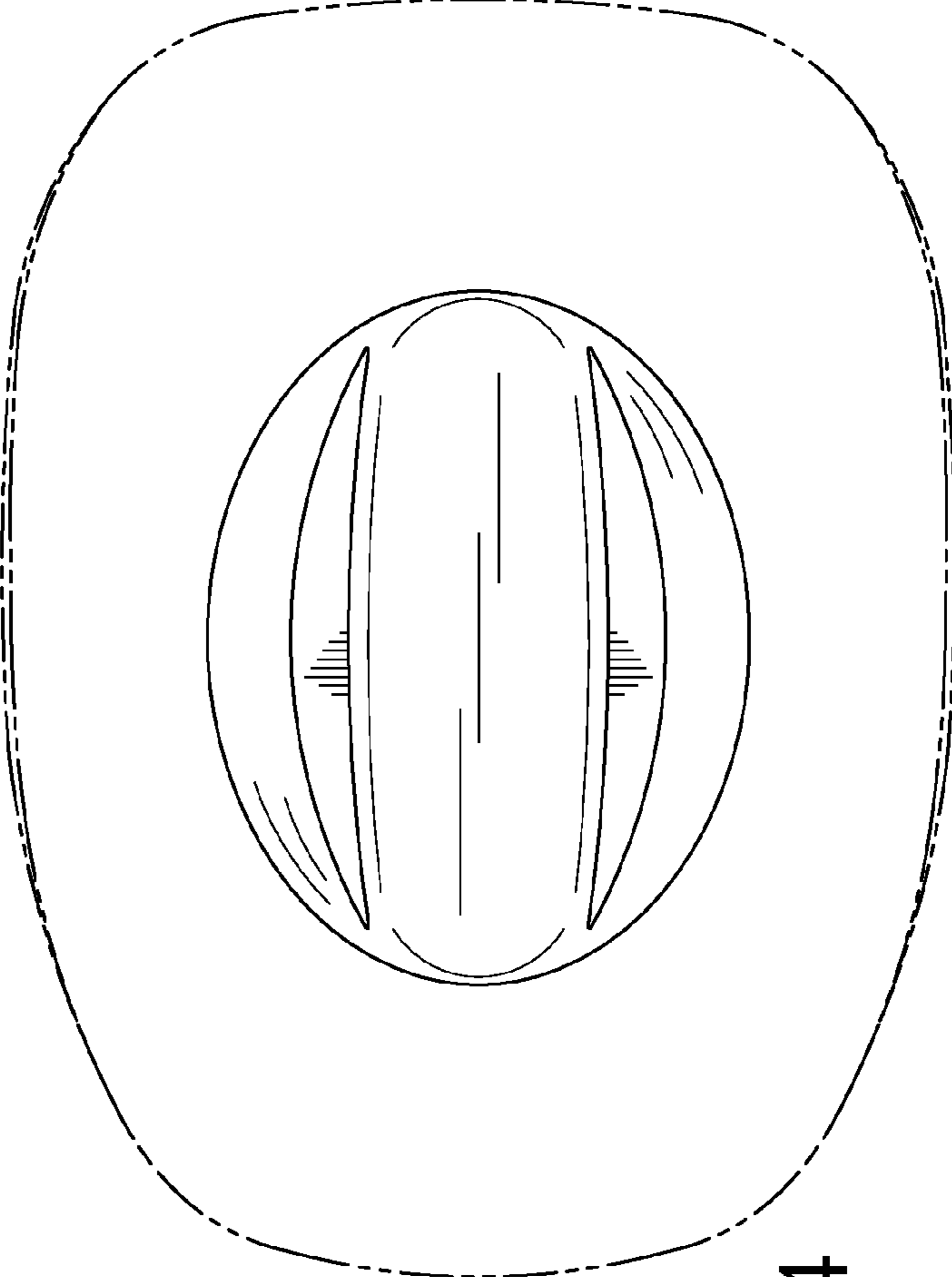


FIG. 4