



US00D605374S

(12) **United States Design Patent**
Nishikawa et al.

(10) **Patent No.:** **US D605,374 S**

(45) **Date of Patent:** **** *Dec. 1, 2009**

(54) **FORKLIFT TRUCK**

(75) Inventors: **Takeshi Nishikawa**, Tokyo (JP); **Koji Shiizaki**, Tokyo (JP); **Hidenobu Himeji**, Tokyo (JP); **Kenji Hane**, Tokyo (JP)

(73) Assignee: **TCM Corporation**, Tokyo (JP)

(**) Term: **14 Years**

(21) Appl. No.: **29/309,655**

(22) Filed: **Sep. 23, 2008**

(30) **Foreign Application Priority Data**

Mar. 26, 2008 (JP) 2008-007508

(51) **LOC (9) Cl.** **12-05**

(52) **U.S. Cl.** **D34/34**

(58) **Field of Classification Search** D34/34;
180/89.12, 89.17, 89.13; 414/572, 592, 631;
187/222, 237, 238

See application file for complete search history.

(56) **References Cited**

U.S. PATENT DOCUMENTS

4,266,808 A * 5/1981 Fassett 280/756
5,297,645 A * 3/1994 Eckersley et al. 180/68.5
5,890,562 A * 4/1999 Bartels et al. 187/224
6,182,797 B1 * 2/2001 Tebbe et al. 187/227
D544,673 S * 6/2007 Quinlan et al. D34/34

7,306,280 B1 * 12/2007 Kraimer 296/190.03
D580,124 S * 11/2008 Babel et al. D34/34
D585,623 S * 1/2009 Quinlan et al. D34/34
2007/0080024 A1 * 4/2007 Langenkamp et al. 187/222

FOREIGN PATENT DOCUMENTS

JP 997874 12/1997

* cited by examiner

Primary Examiner—Cynthia E Ramirez

(74) *Attorney, Agent, or Firm*—McGinn IP Law Group, PLLC

(57) **CLAIM**

The ornamental design for a forklift truck, as shown and described.

DESCRIPTION

FIG. 1 is a perspective view of top, front and right side of a forklift truck showing our new design;

FIG. 2 is a perspective view of top, rear and left view thereof;

FIG. 3 is a front view thereof;

FIG. 4 is a rear view thereof;

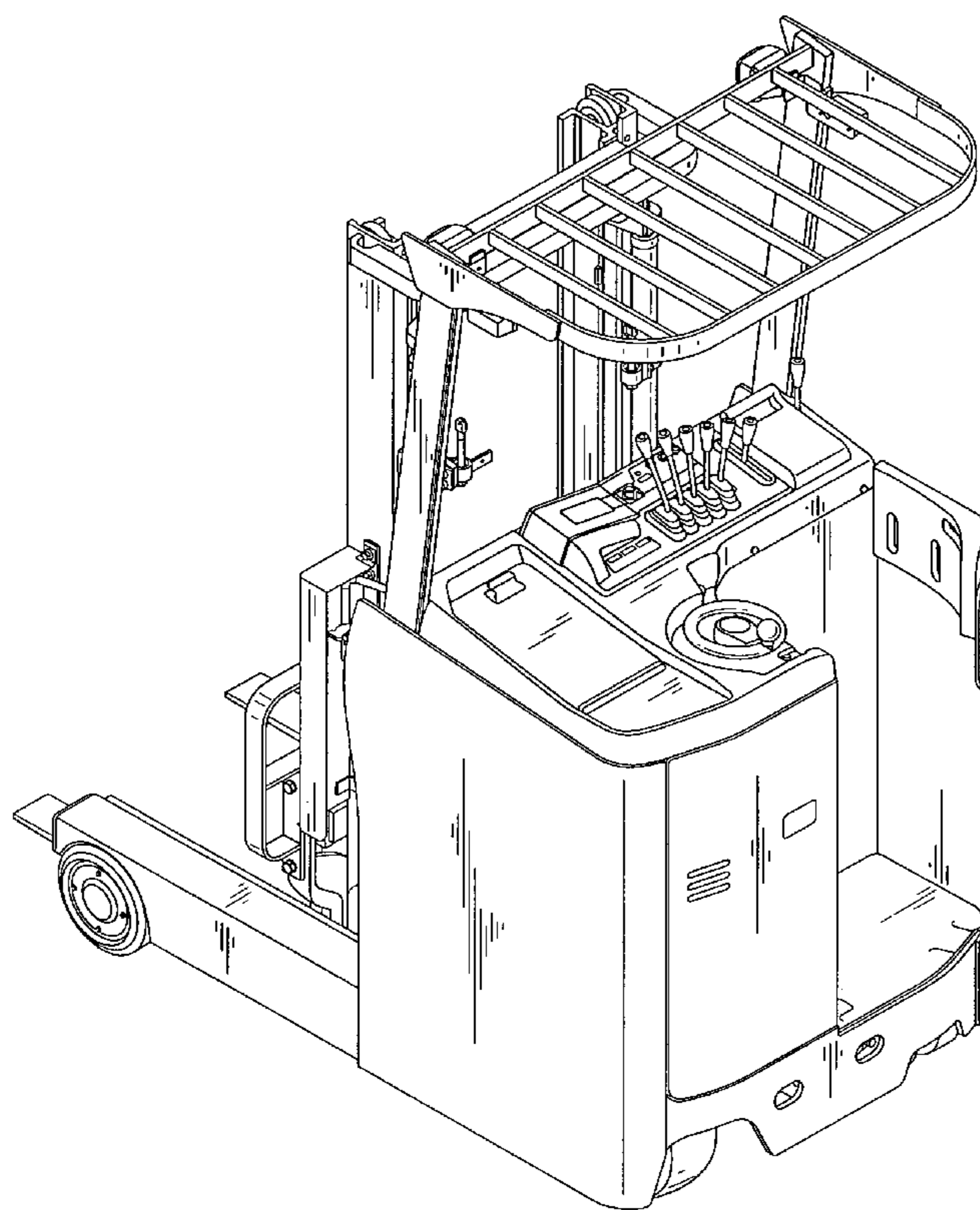
FIG. 5 is a top plan view thereof;

FIG. 6 is a bottom view thereof;

FIG. 7 is a right side view thereof; and,

FIG. 8 is a left side view thereof.

1 Claim, 7 Drawing Sheets



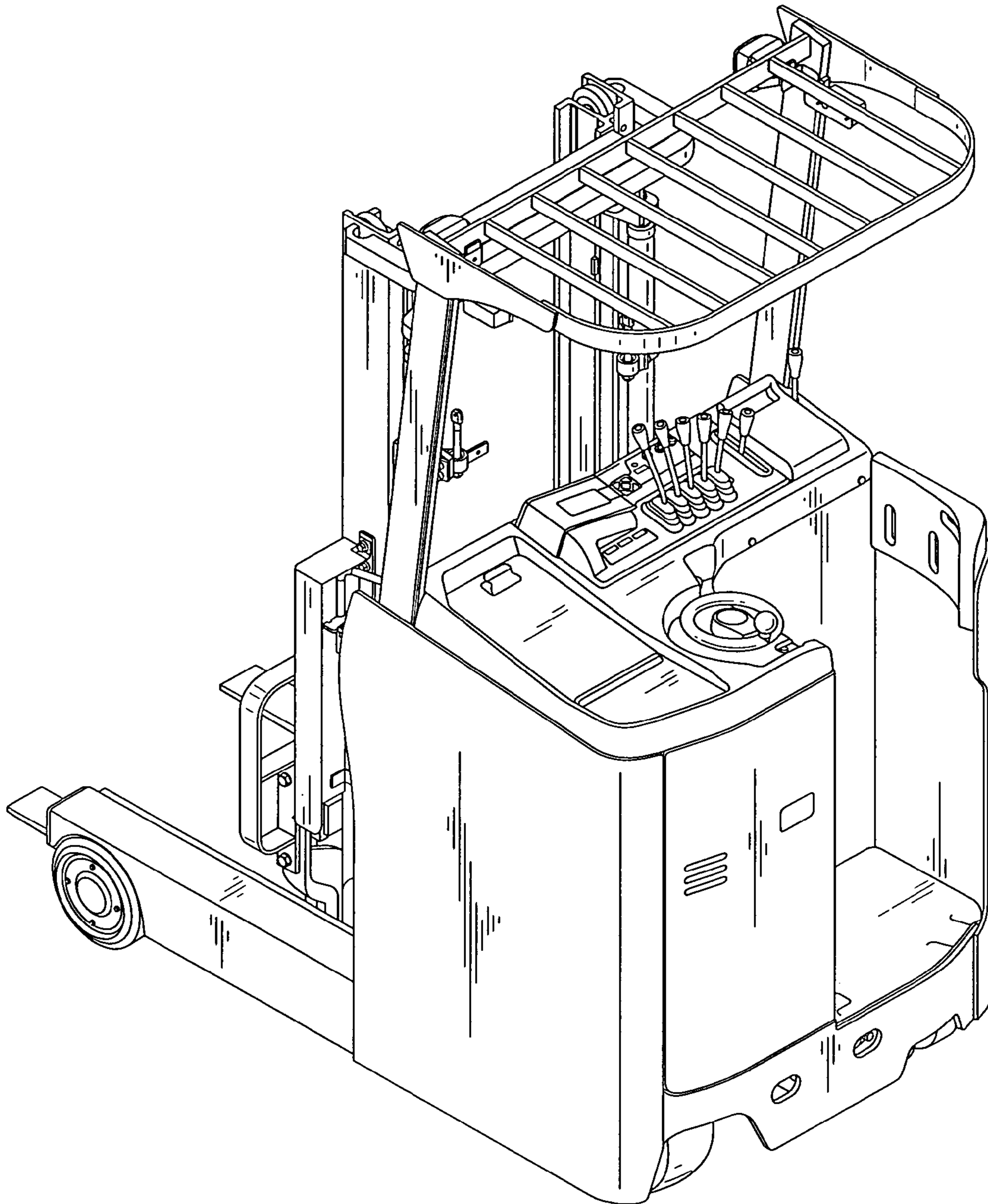


FIG. 1

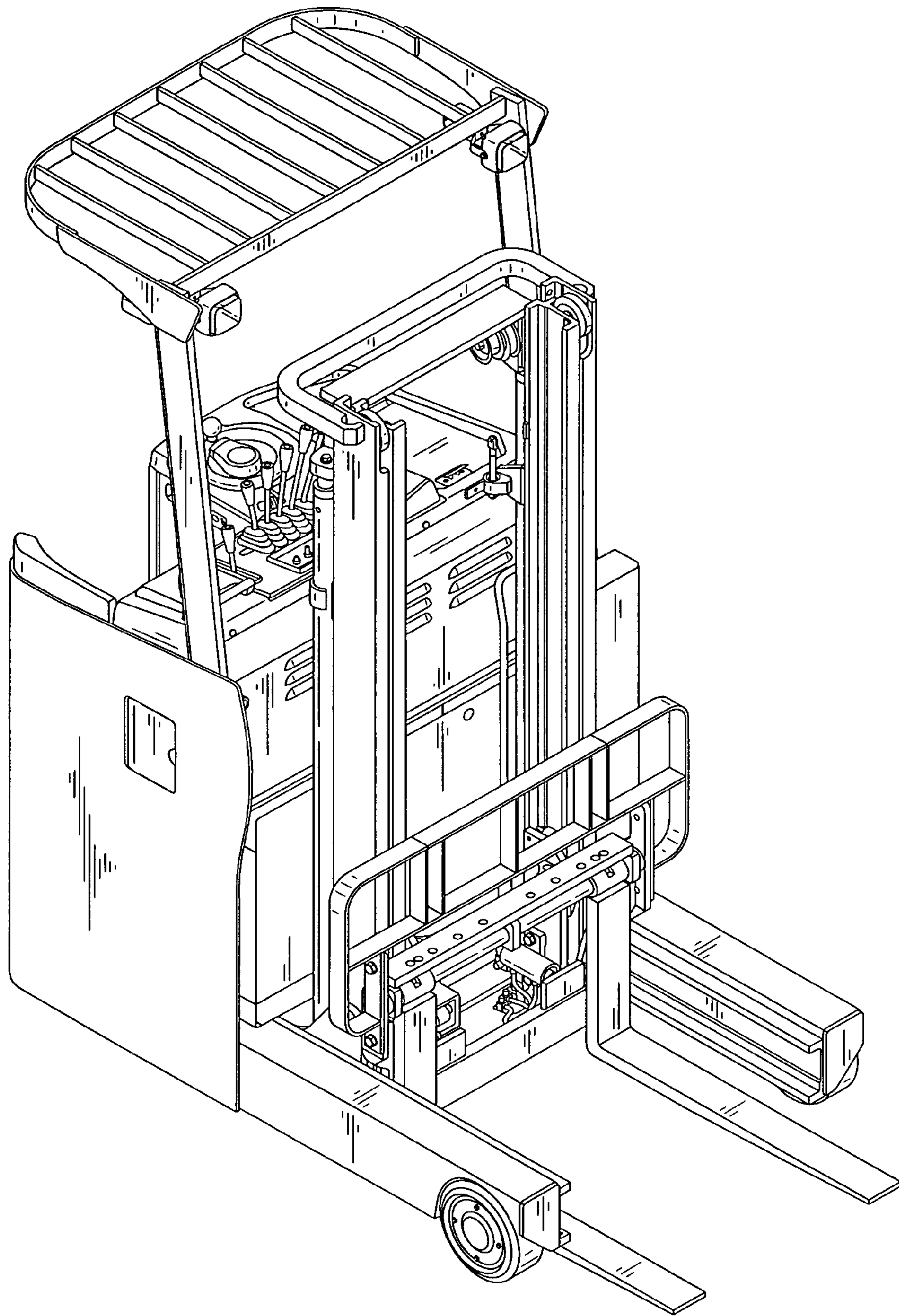


FIG. 2

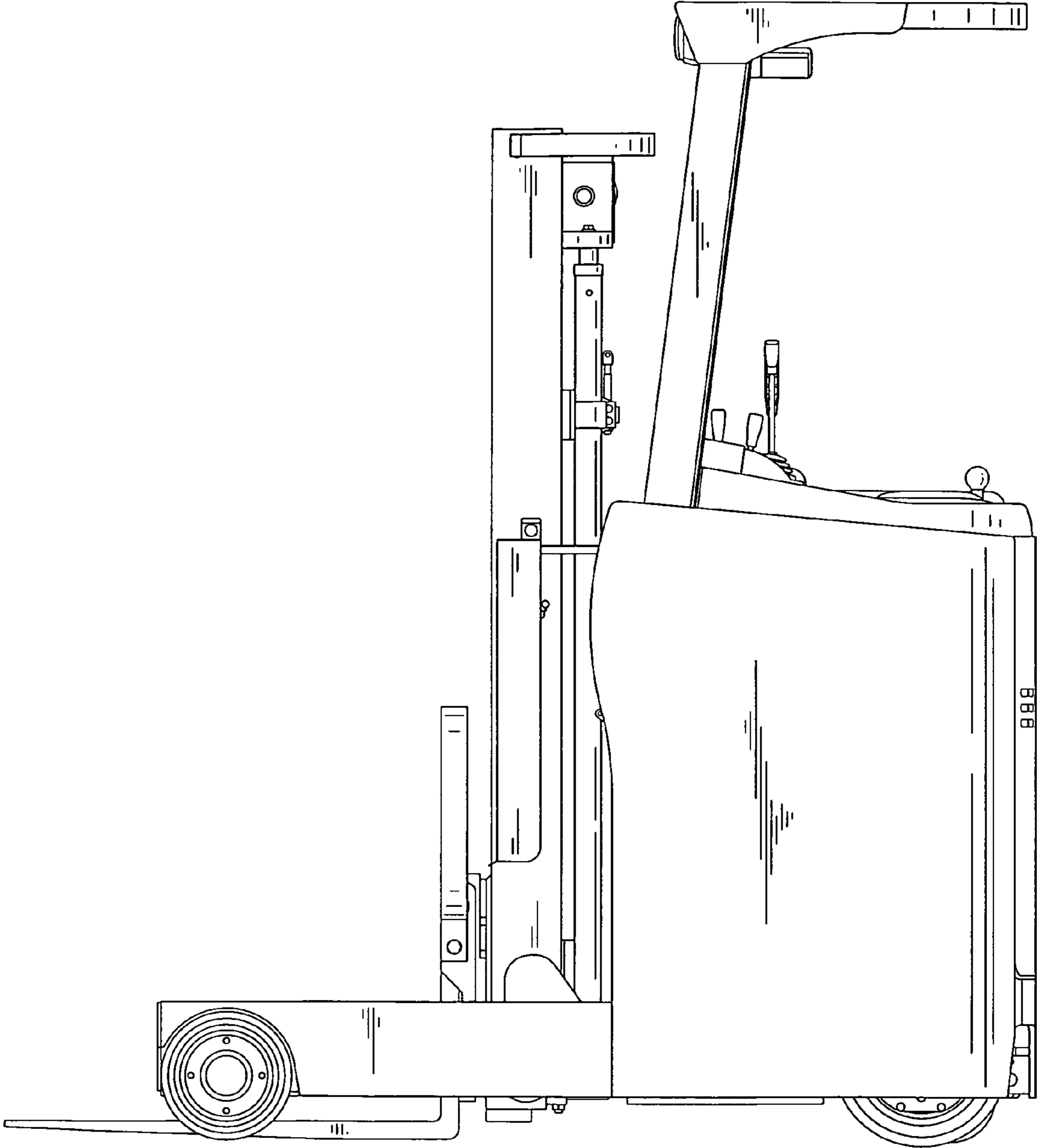


FIG. 3

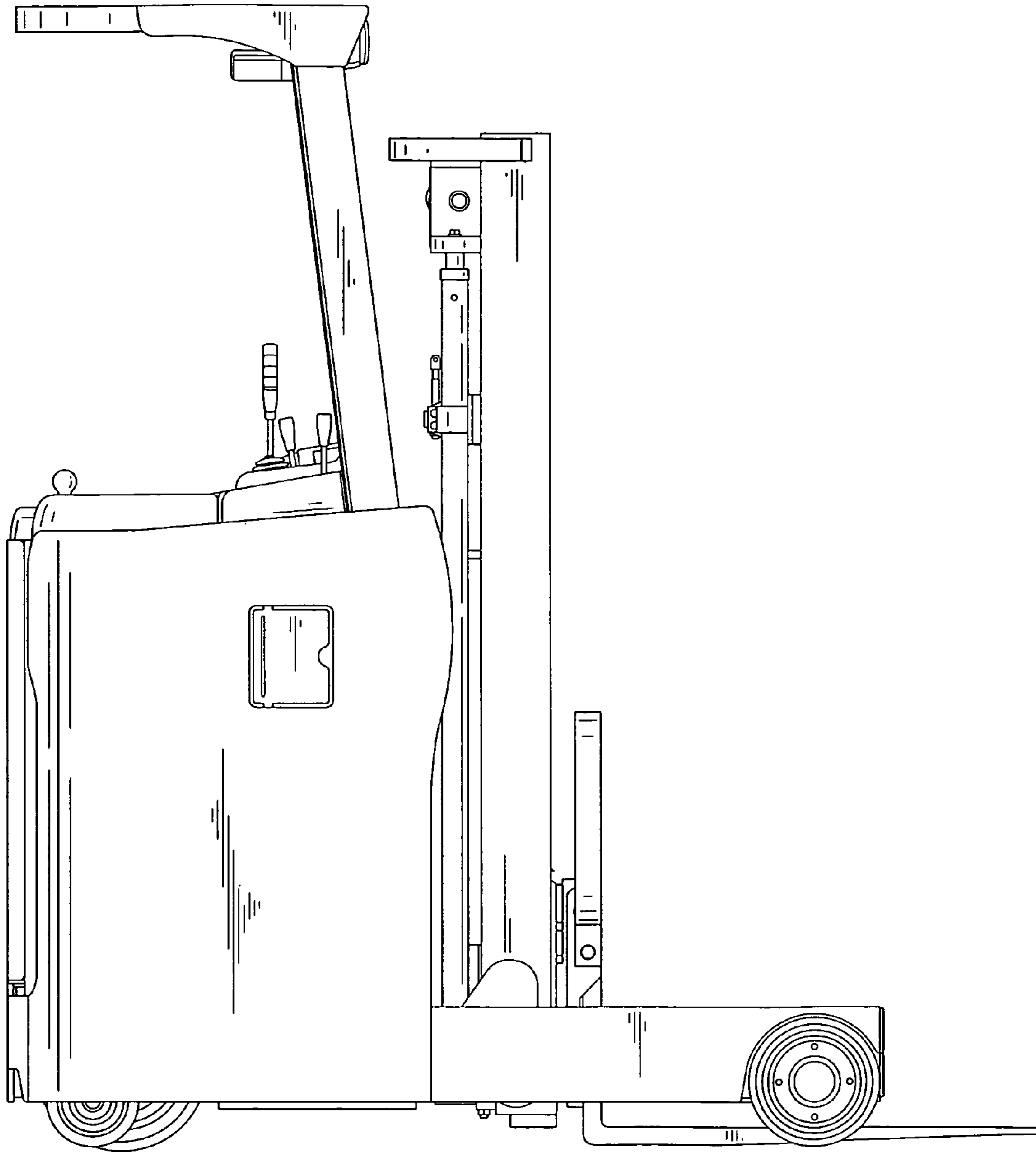


FIG. 4

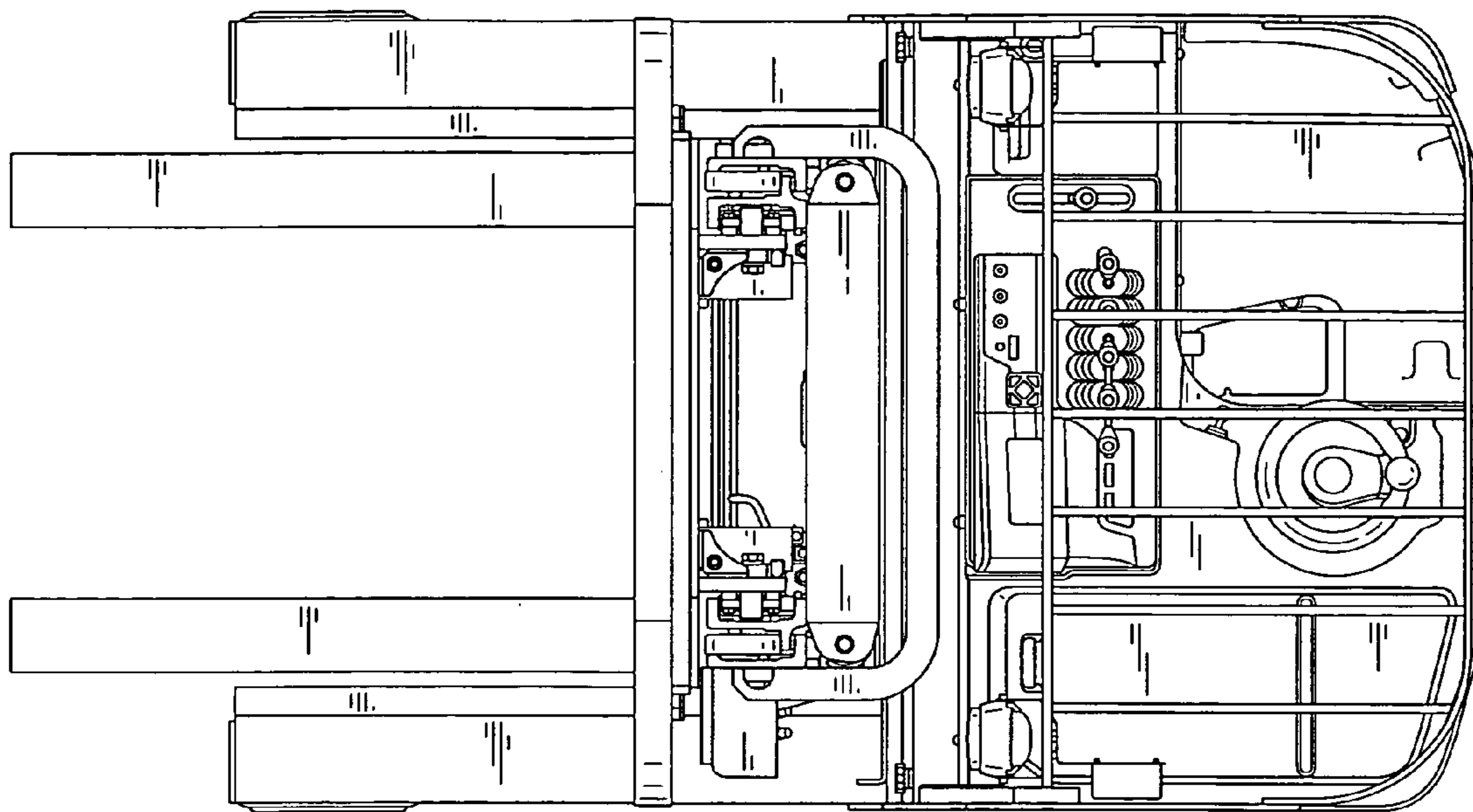


FIG. 5

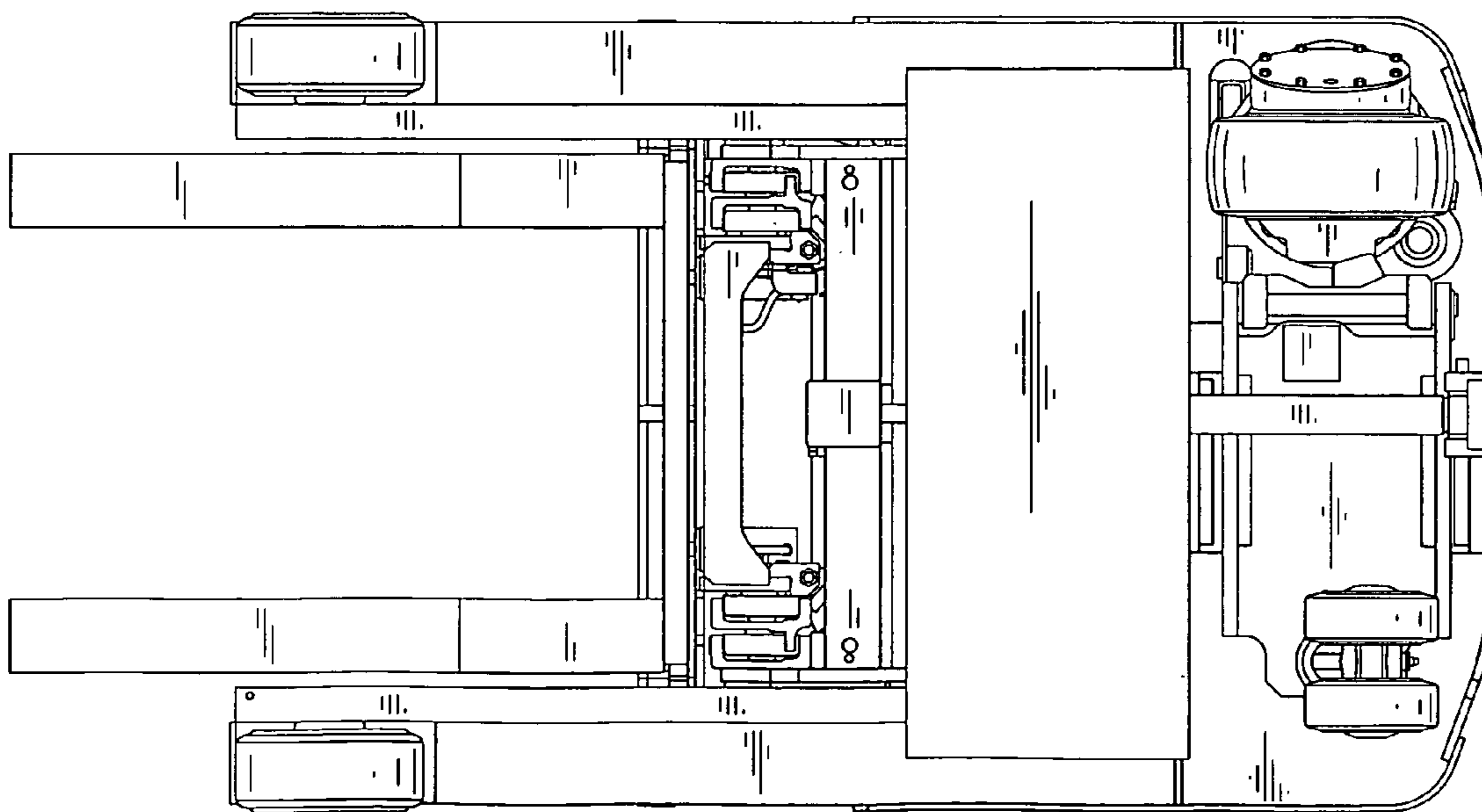


FIG. 6

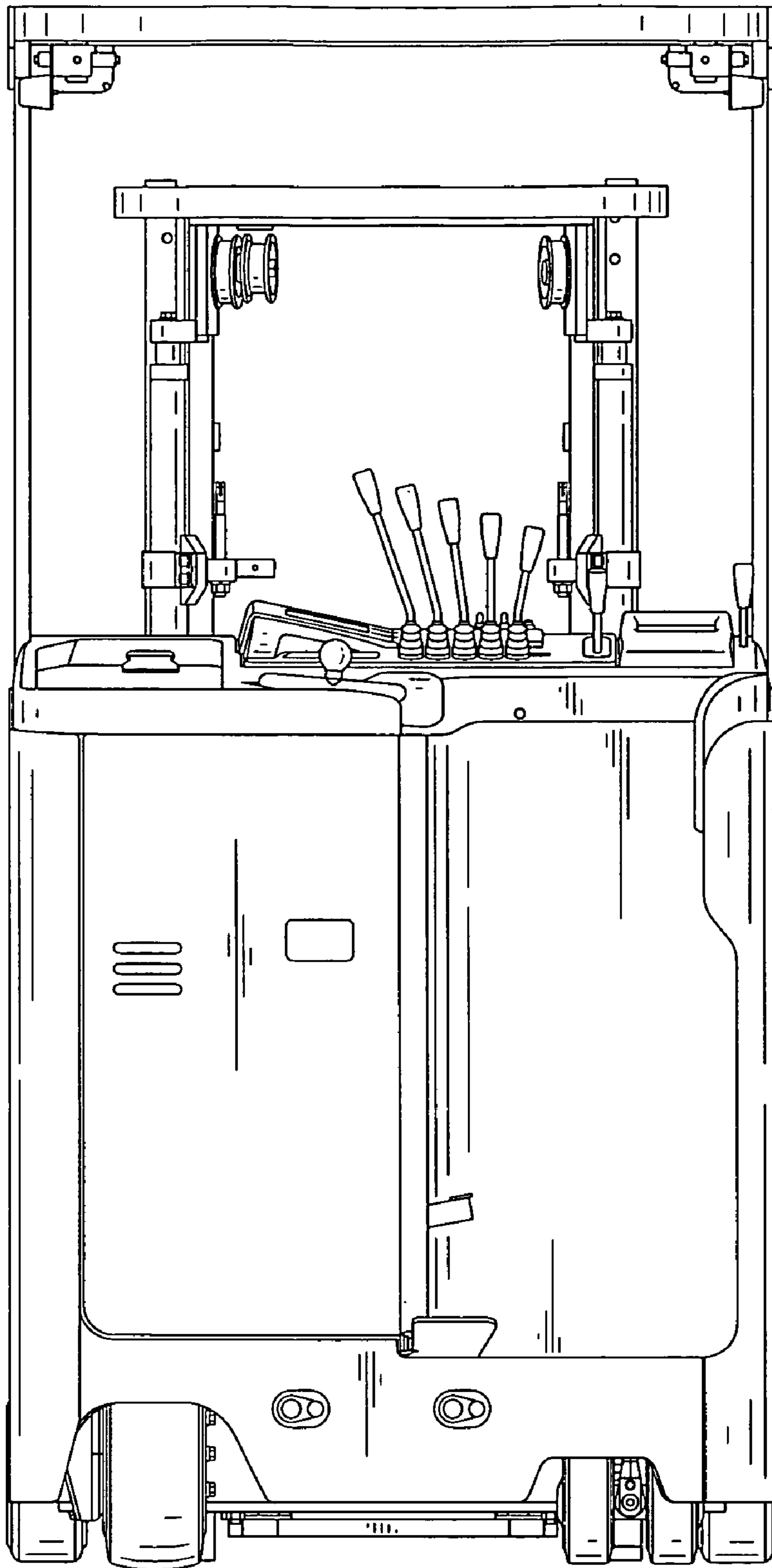


FIG. 7

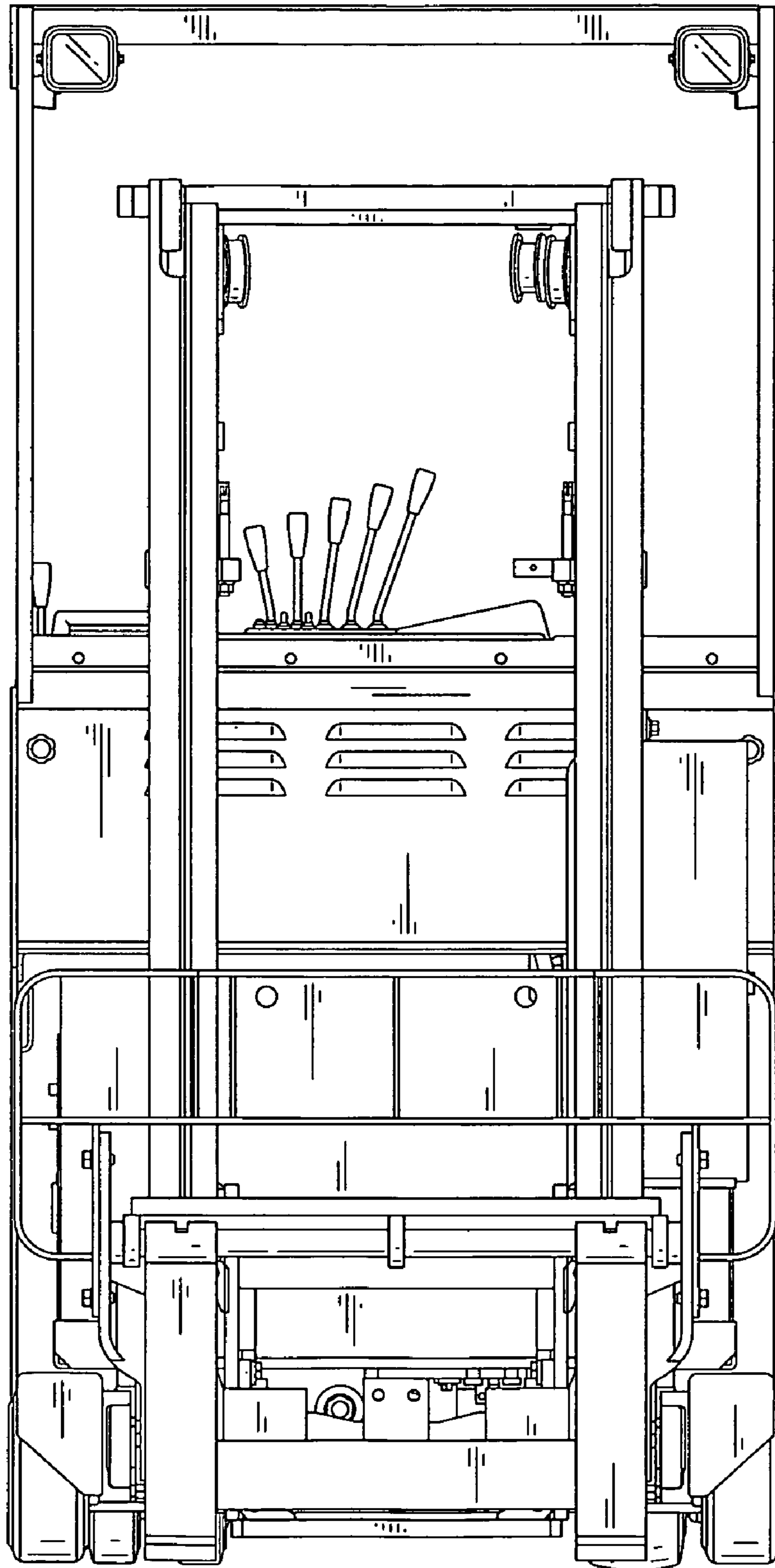


FIG. 8