



US00D605373S

(12) **United States Design Patent**  
**Raphael**

(10) **Patent No.:** **US D605,373 S**

(45) **Date of Patent:** **\*\* Dec. 1, 2009**

(54) **CART FOR SUPPORTING A TACT BOX**

D477,900 S \* 7/2003 Ditmars, Jr. .... D34/24

(76) Inventor: **Robin Terry Raphael**, 19516 Crescent Rd., Odessa, FL (US) 33556

\* cited by examiner

*Primary Examiner*—Cynthia E Ramirez

(74) *Attorney, Agent, or Firm*—Larson & Larson, P.A.; Frank Liebenow

(\*\*) Term: **14 Years**

(21) Appl. No.: **29/329,814**

(57) **CLAIM**

(22) Filed: **Dec. 22, 2008**

I claim the ornamental design for a cart for supporting a tact box, as shown and described.

(51) **LOC (9) Cl.** ..... **12-02**

(52) **U.S. Cl.** ..... **D34/24**

(58) **Field of Classification Search** ..... D34/12-27;  
280/651, 79.2, 79.11, 47.34, 79.4, 79.5, 79.6  
See application file for complete search history.

**DESCRIPTION**

FIG. 1 is a front elevation view of the cart for supporting a tact box showing my novel design;

FIG. 2 is a rear elevation view thereof;

FIG. 3 is a right side elevation view thereof;

FIG. 4 is a left side elevation view thereof;

FIG. 5 is a top plan view thereof;

FIG. 6 is a bottom plan view thereof; and,

FIG. 7 is a perspective view thereof.

(56) **References Cited**

U.S. PATENT DOCUMENTS

D173,483 S	*	11/1954	Haynes, Sr.	.....	D34/13
D326,174 S	*	5/1992	McDonald	.....	D34/17
D333,899 S	*	3/1993	Caceres	.....	D34/17
D340,562 S	*	10/1993	Kean et al.	.....	D34/23
D391,732 S	*	3/1998	Spear et al.	.....	D34/19
D396,023 S	*	7/1998	Mello	.....	D12/105

**1 Claim, 4 Drawing Sheets**

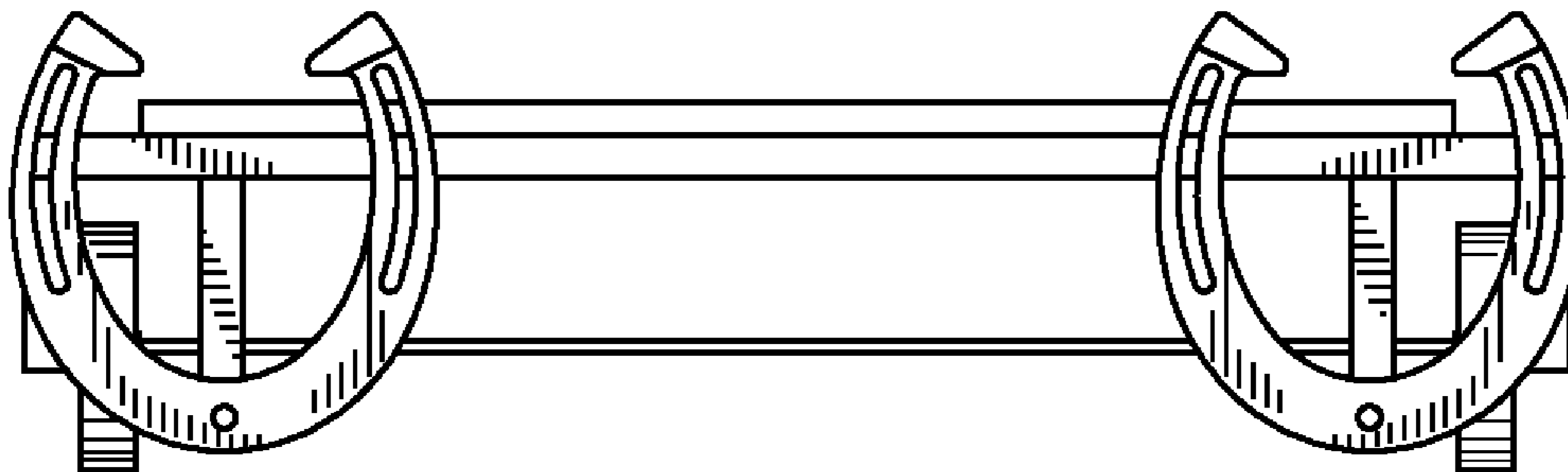


FIG. 1

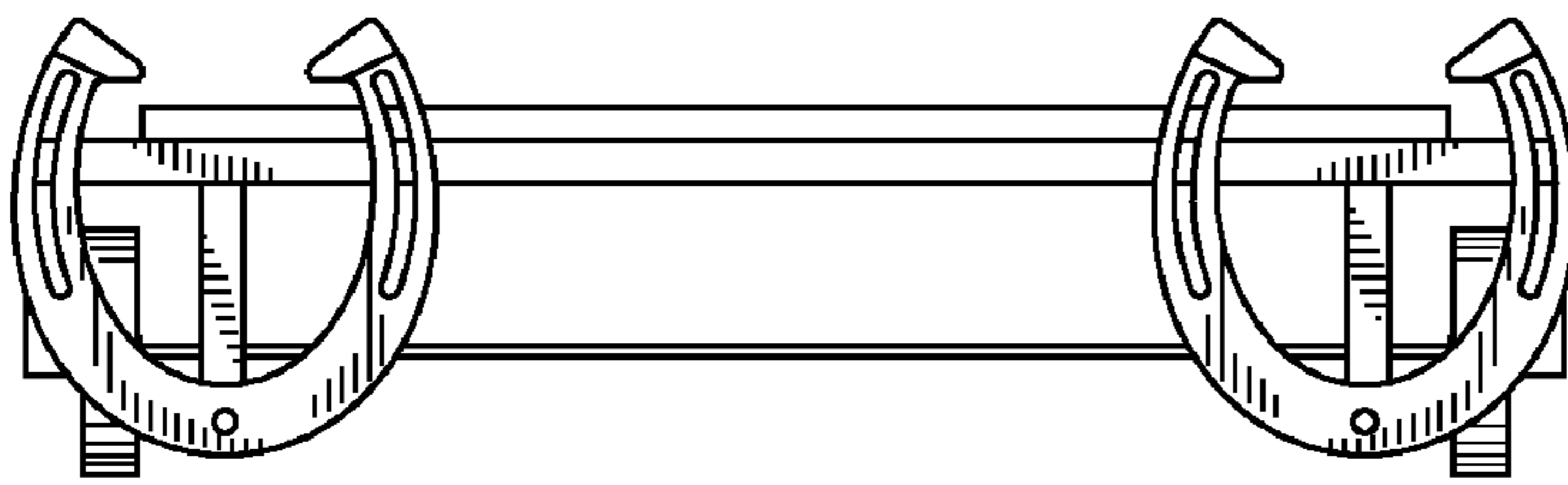


FIG. 2

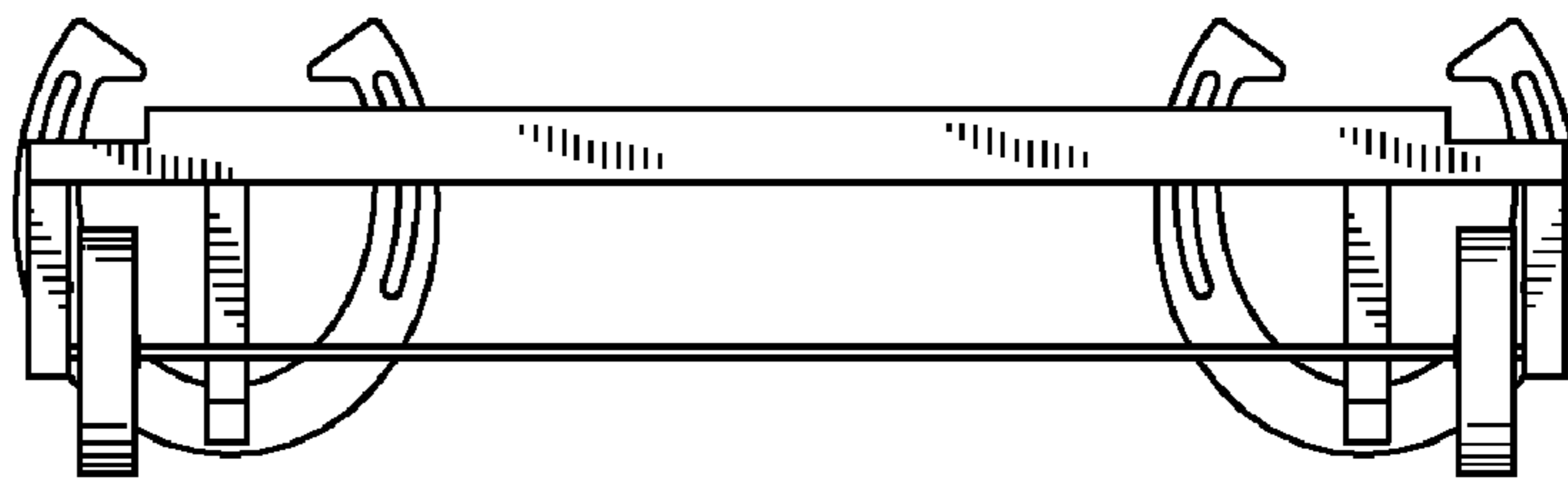


FIG. 3

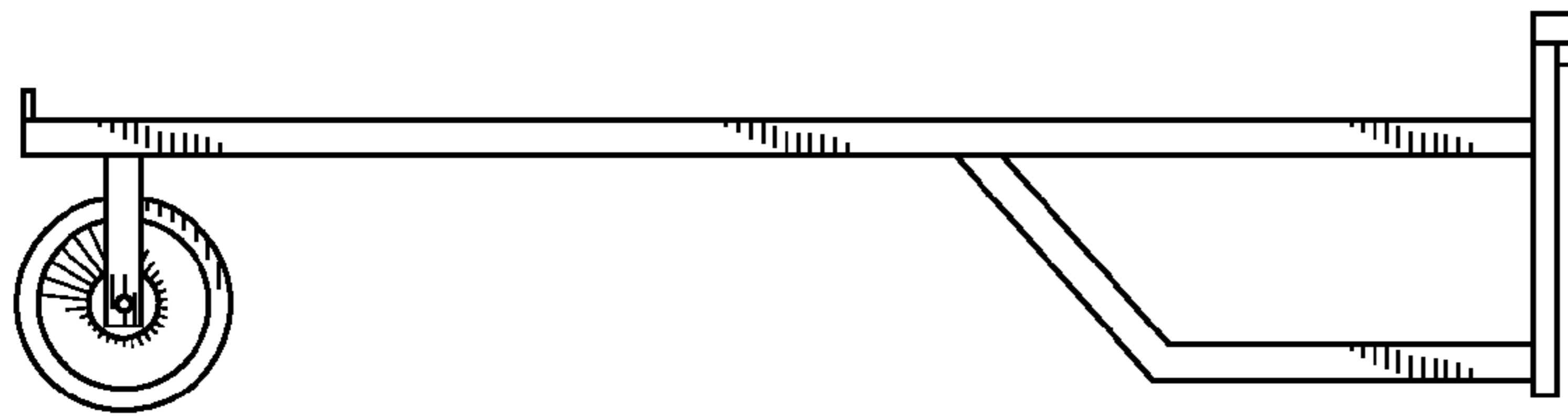


FIG. 4

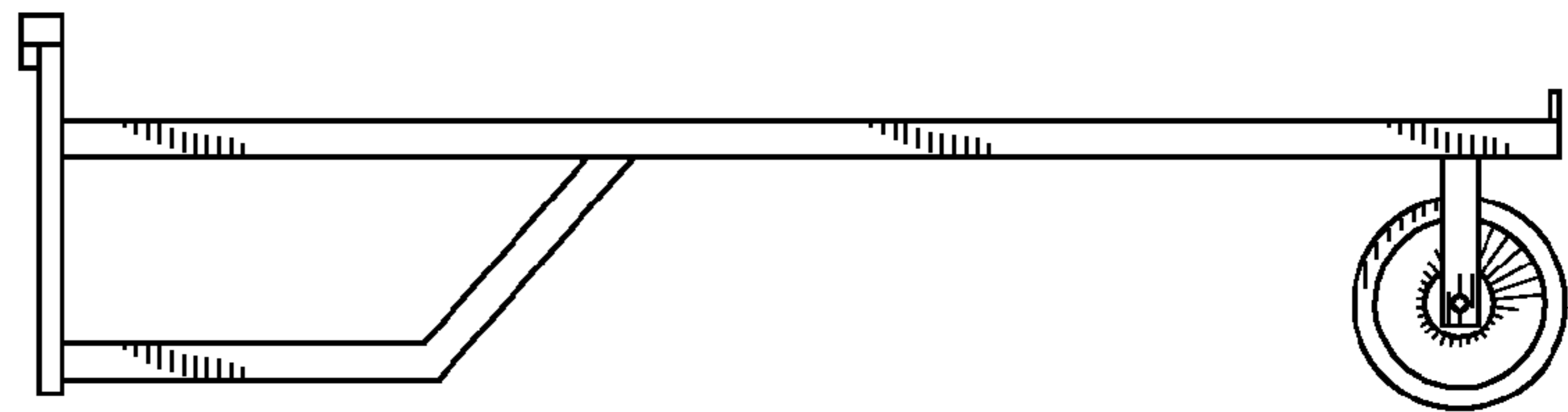


FIG. 5

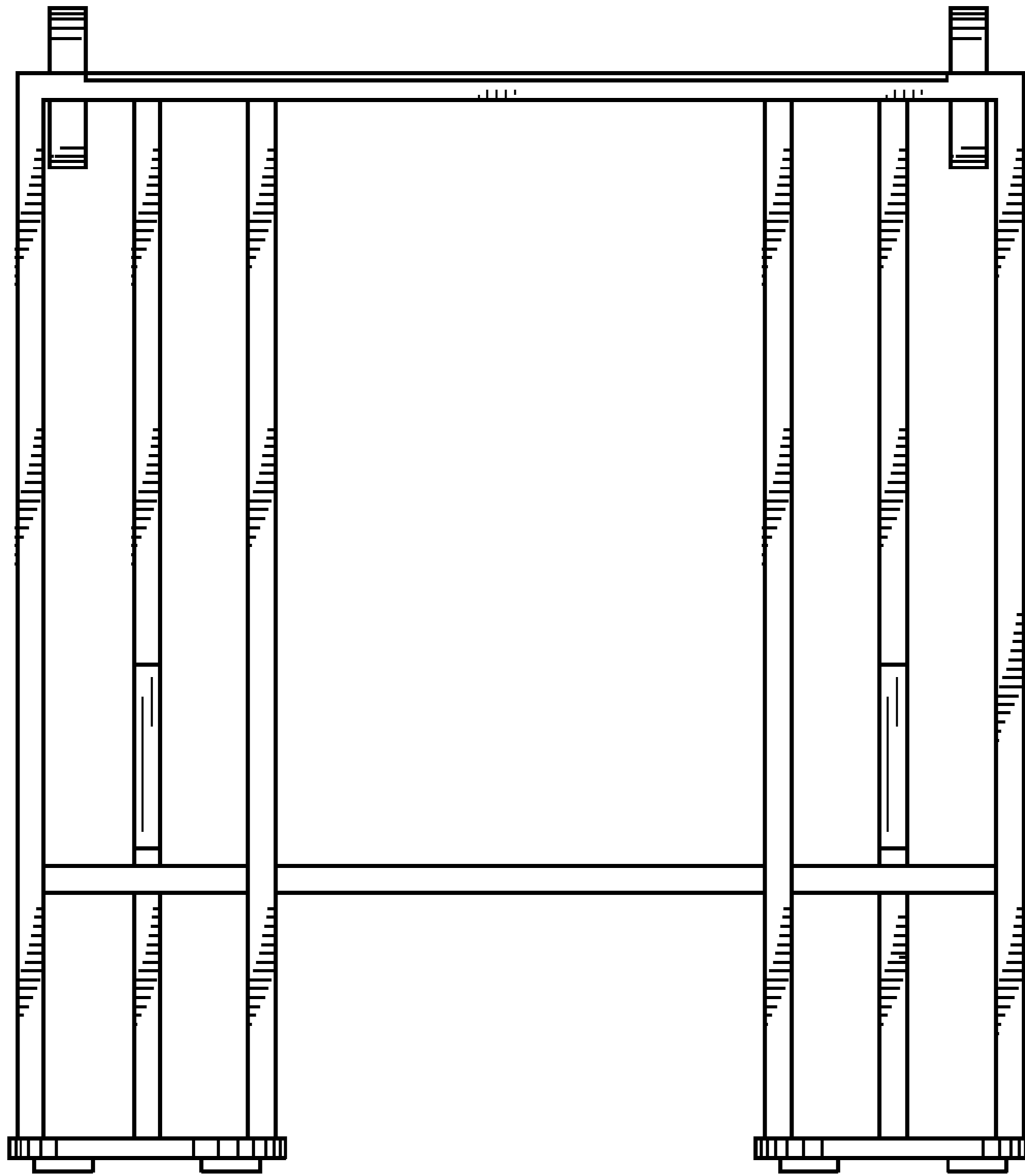


FIG. 6

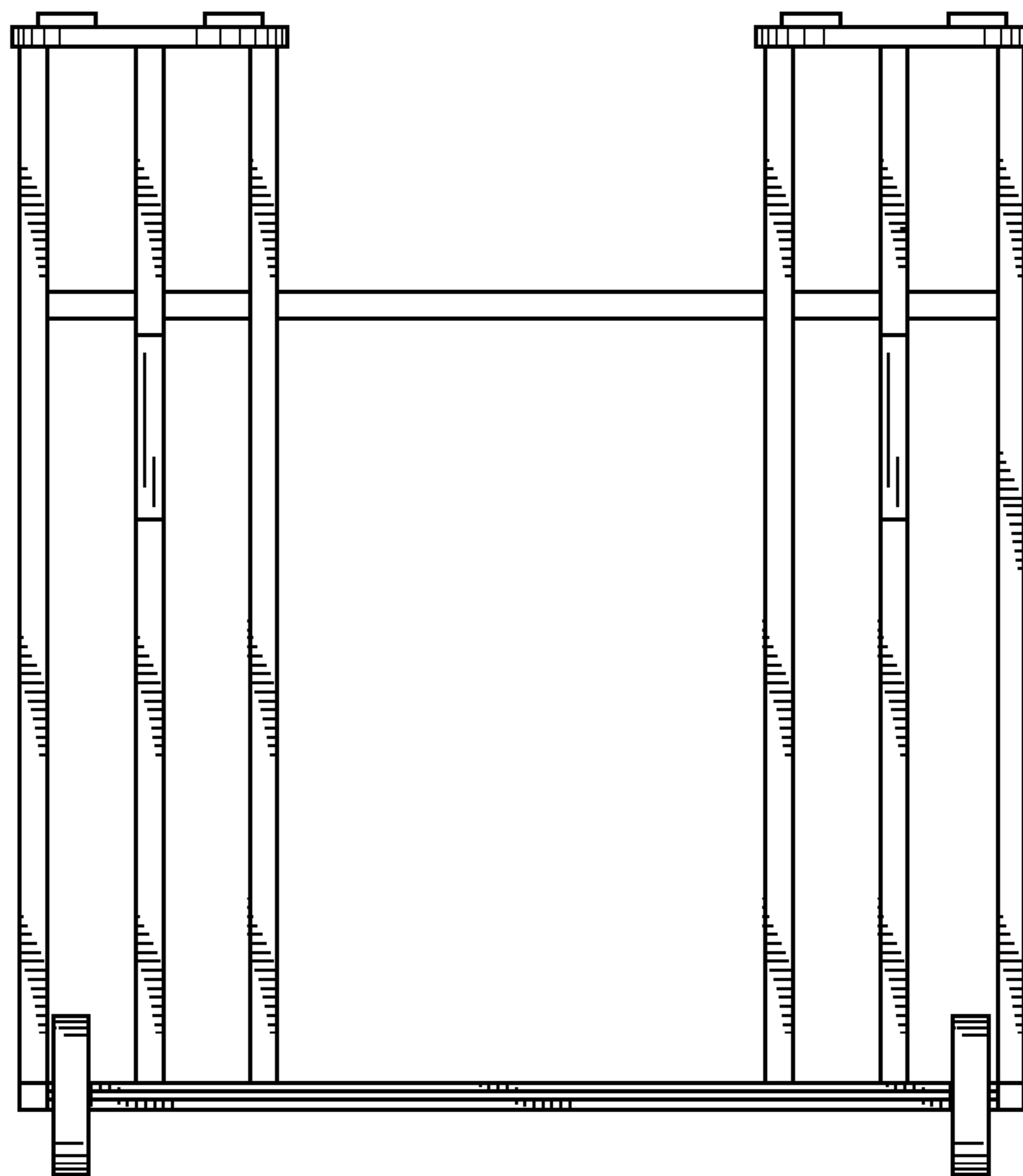


FIG. 7

