



US00D605372S

(12) **United States Design Patent**
Wilkinson

(10) **Patent No.:** **US D605,372 S**

(45) **Date of Patent:** **** Dec. 1, 2009**

(54) **FILING DEVICE**

(76) Inventor: **Thomas F. Wilkinson**, 2816 Aloysia La.
NW., Albuquerque, NM (US) 87104

(**) Term: **14 Years**

(21) Appl. No.: **29/332,100**

(22) Filed: **Feb. 9, 2009**

(51) **LOC (9) Cl.** **09-09**

(52) **U.S. Cl.** **D34/6**

(58) **Field of Classification Search** D34/5,
D34/6, 28, 1; 220/908, 908.1; 248/95, 97,
248/99, 100, 101

See application file for complete search history.

(56) **References Cited**

U.S. PATENT DOCUMENTS

2,731,184	A	1/1956	Thurber	
3,997,169	A	12/1976	Bergstrom	
4,273,167	A *	6/1981	Stillwell	141/314
D289,577	S	4/1987	Graham	
4,664,348	A *	5/1987	Corsaut et al.	248/99
4,671,708	A	6/1987	Hurd	
4,749,011	A *	6/1988	Rylander	141/316
4,776,478	A	10/1988	Miller et al.	
4,832,292	A *	5/1989	Beckham	248/99
D308,270	S *	5/1990	Sarabia	D34/5
5,498,046	A	3/1996	Ridley et al.	
5,593,117	A	1/1997	Alexander, III	
5,655,739	A	8/1997	Teh-Wah Goo	
D389,634	S	1/1998	Shope	
5,785,369	A	7/1998	Ridley et al.	
5,868,364	A *	2/1999	MacMillan	248/97
5,879,039	A	3/1999	Baker et al.	
6,116,548	A	9/2000	Oleson	
6,116,549	A	9/2000	Santa Cruz et al.	
6,135,518	A	10/2000	Holthaus	
D440,729	S	4/2001	Piner et al.	
6,450,461	B1	9/2002	Lohmann	

6,554,810	B1	4/2003	Wilk et al.
6,708,742	B2	3/2004	Weathers et al.
D502,582	S	3/2005	Boles
D513,352	S	12/2005	Weathers et al.
6,974,167	B2	12/2005	Springs, II
7,066,432	B2	6/2006	Wood et al.
7,281,690	B2	10/2007	Kelley
7,302,904	B2	12/2007	Burns
7,302,978	B1	12/2007	Kolarik
2002/0100844	A1	8/2002	Green
2002/0100845	A1	8/2002	Green
2003/0173471	A1	9/2003	Weathers et al.
2003/0218104	A1	11/2003	Klotz
2005/0087657	A1	4/2005	Dran

* cited by examiner

Primary Examiner—Cynthia E Ramirez

(74) *Attorney, Agent, or Firm*—Yorgos Marinakis

(57) **CLAIM**

The ornamental design for a filling device, as shown and described.

DESCRIPTION

FIG. 1 is a rear elevational view of a filling device, showing my new design;

FIG. 2 is a front elevational thereof;

FIG. 3 is a top plan view thereof;

FIG. 4 is a bottom plan view thereof;

FIG. 5 is a right side elevational view thereof;

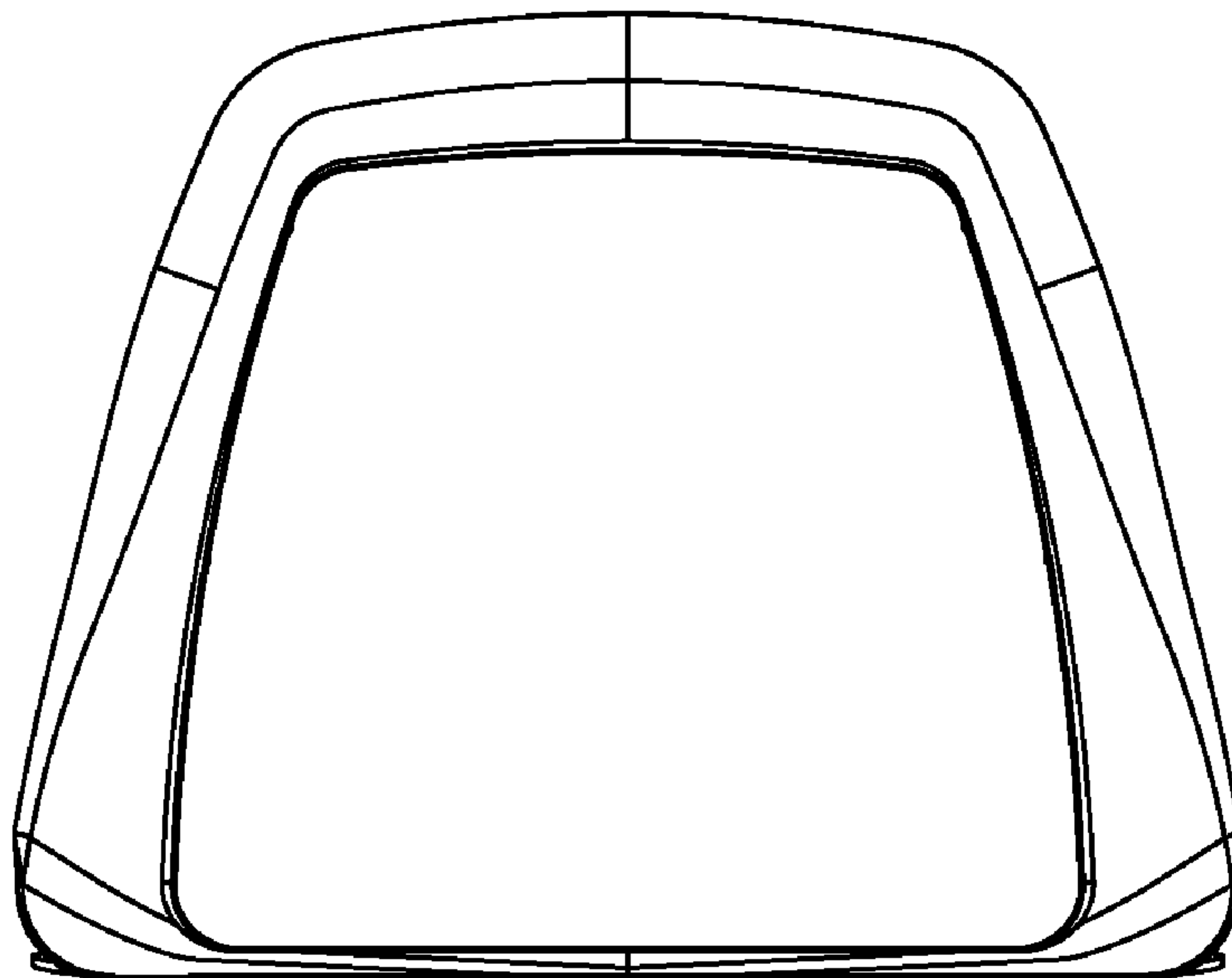
FIG. 6 is a Left side elevational view thereof;

FIG. 7 is a Left side elevational view thereof, with the front pivoted upwards;

FIG. 8 is a Left side elevational view thereof, with the front pivoted downwards; and,

FIG. 9 is a perspective view thereof.

1 Claim, 8 Drawing Sheets



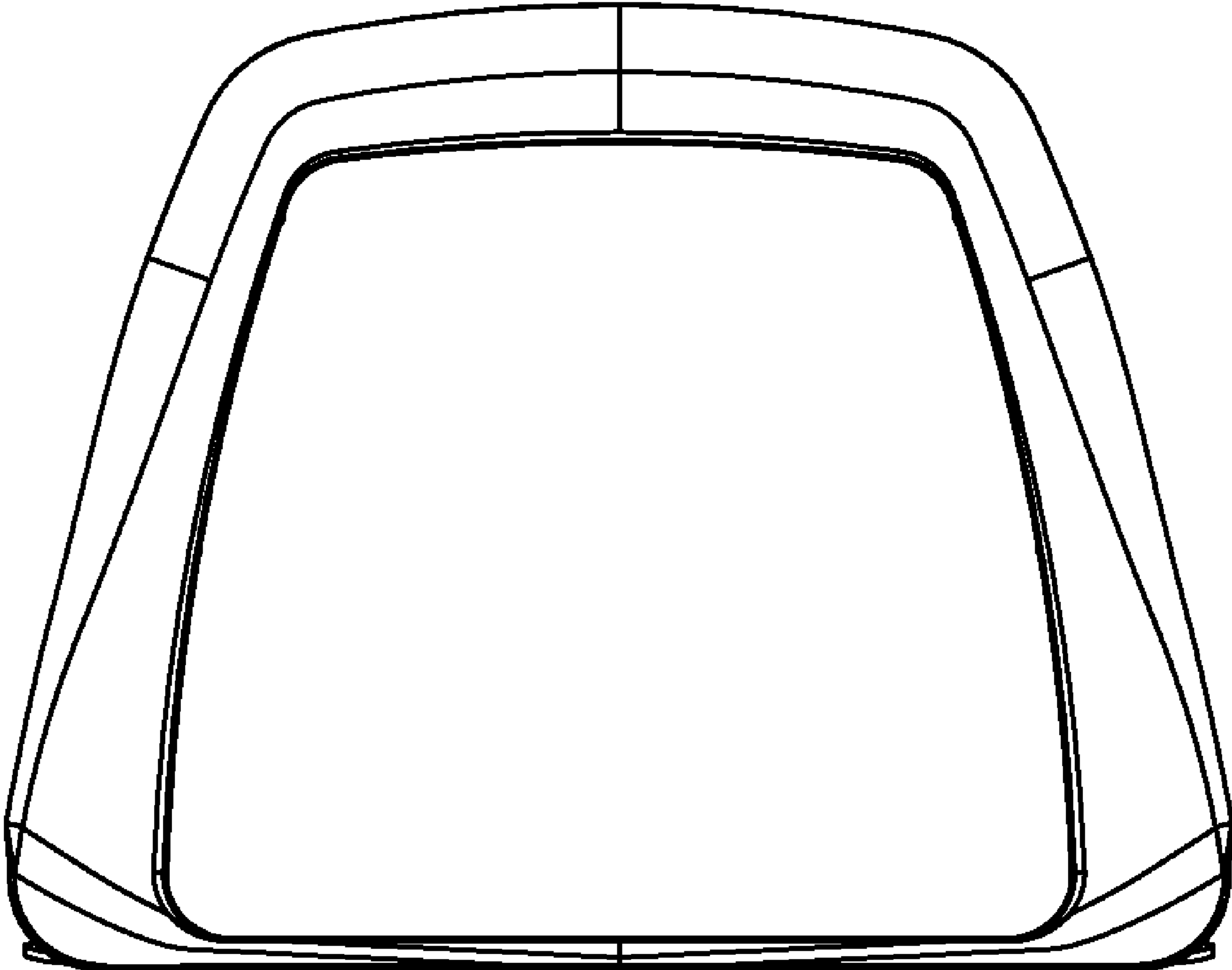


Fig. 1

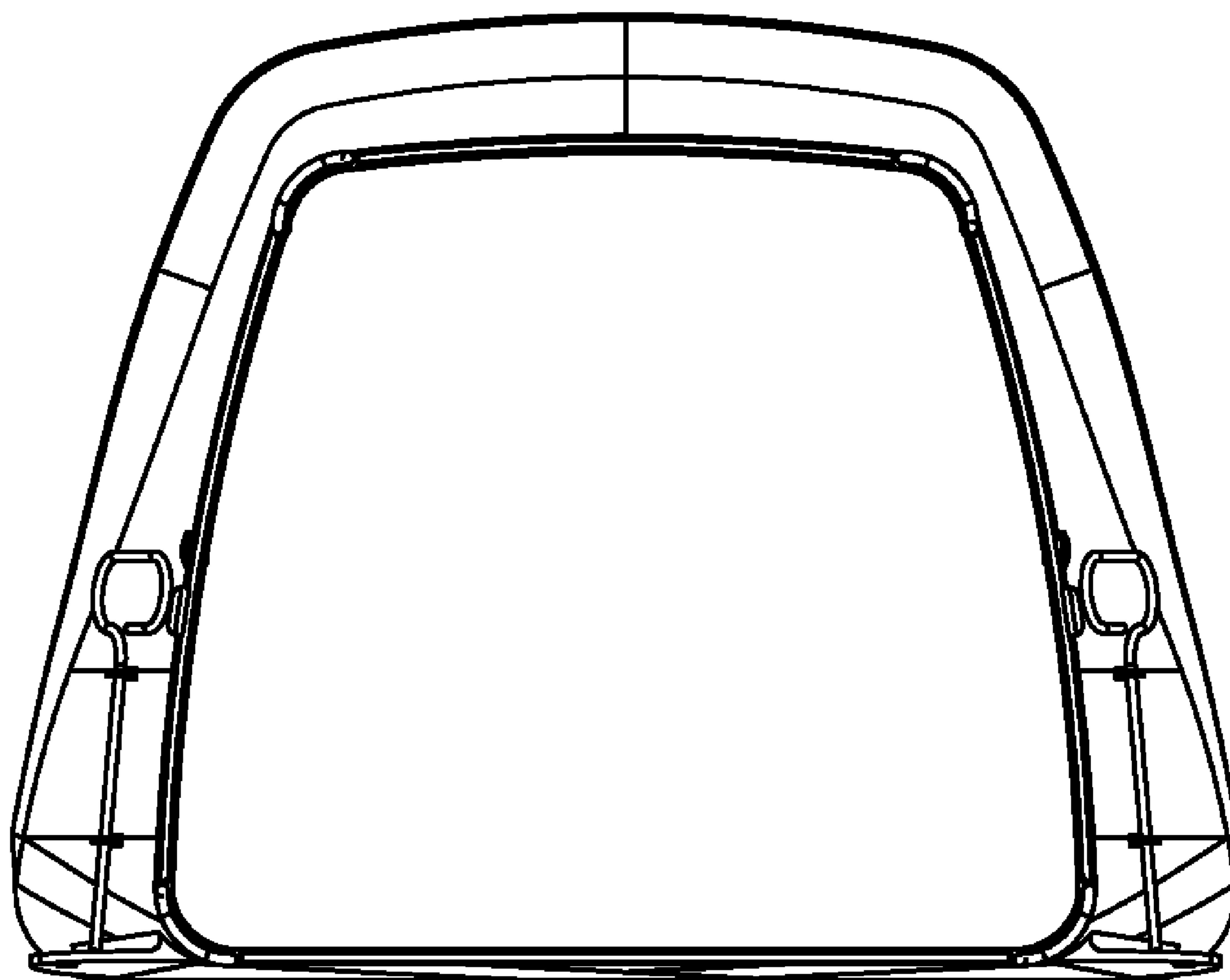


Fig.2

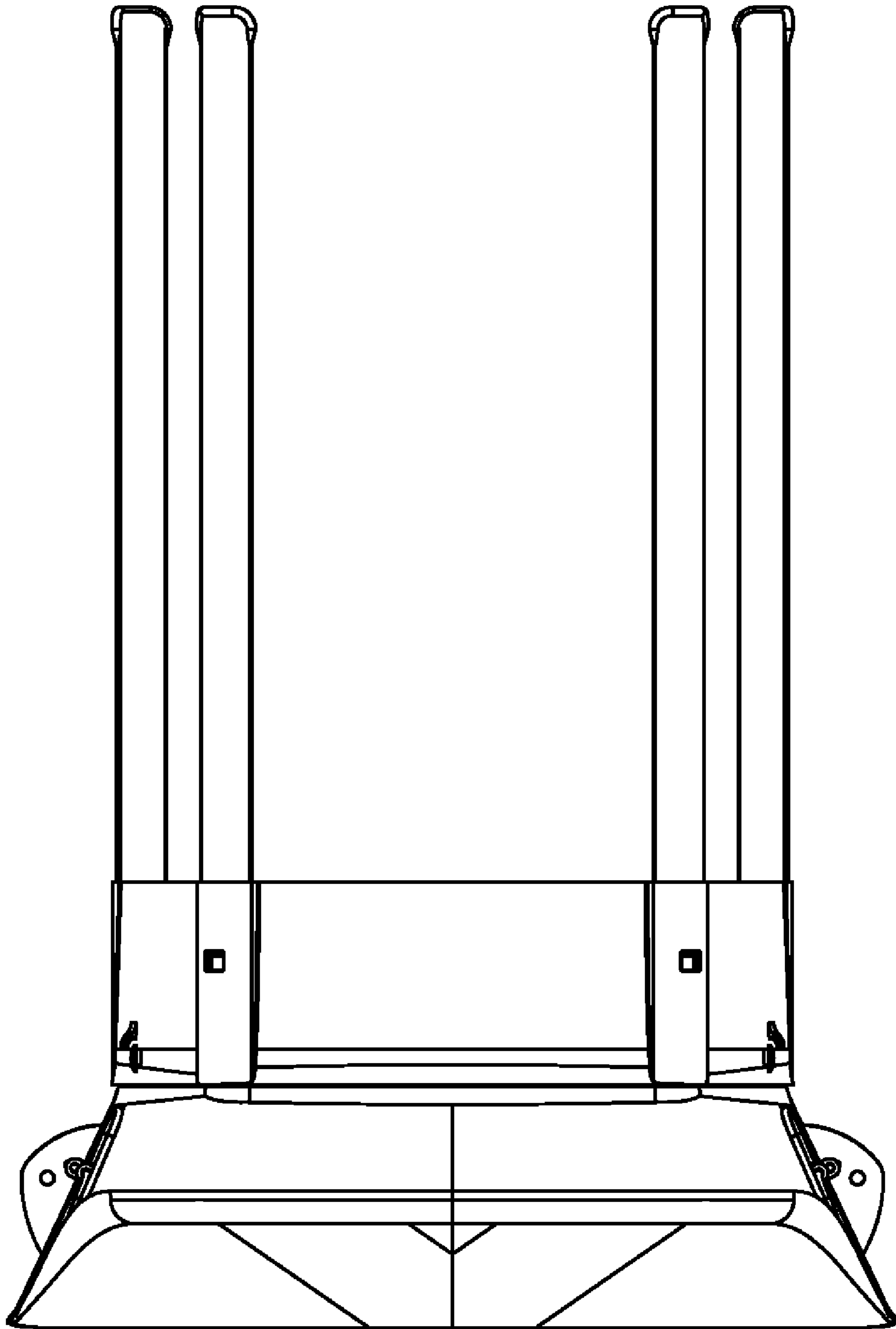


Fig.3

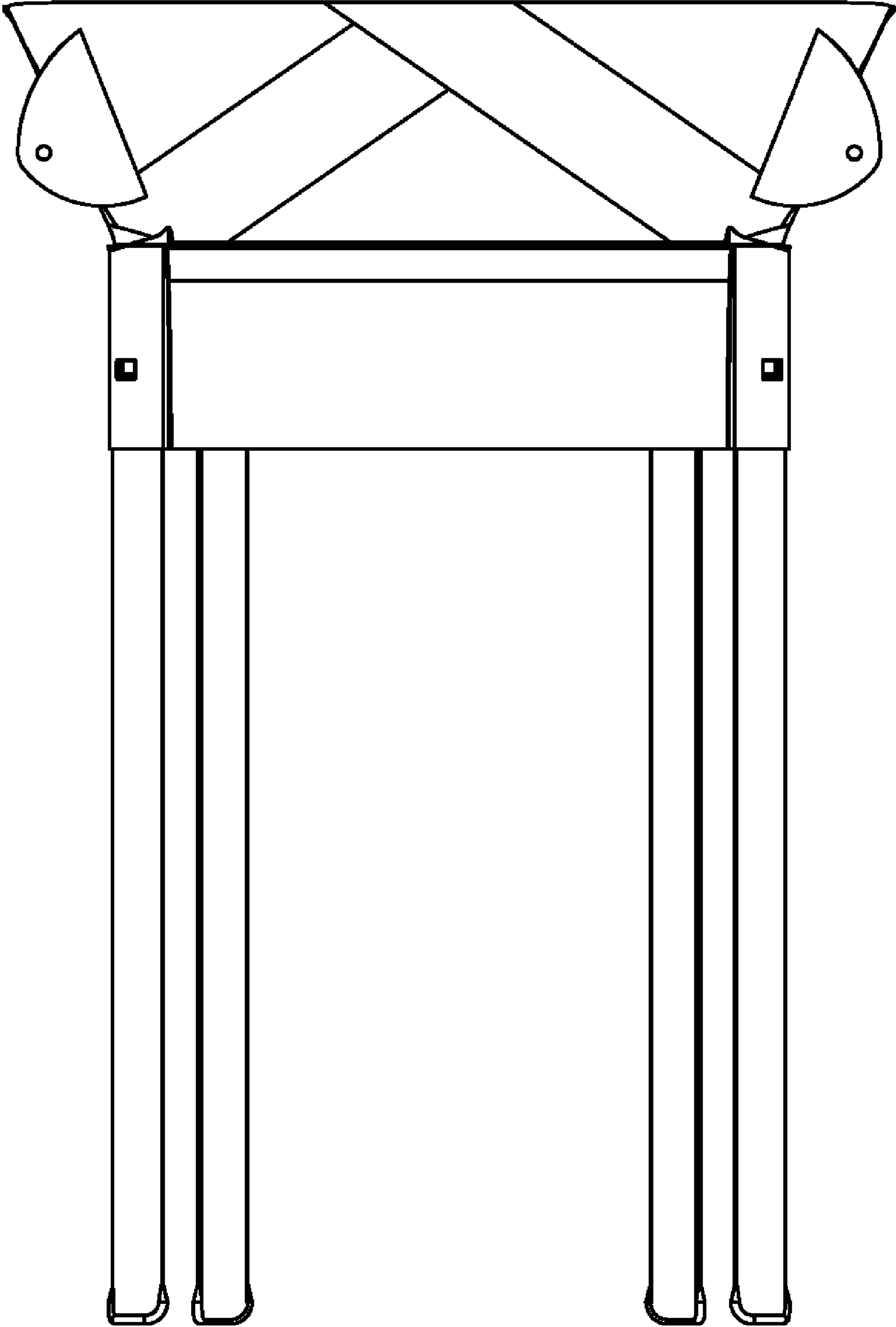


Fig. 4

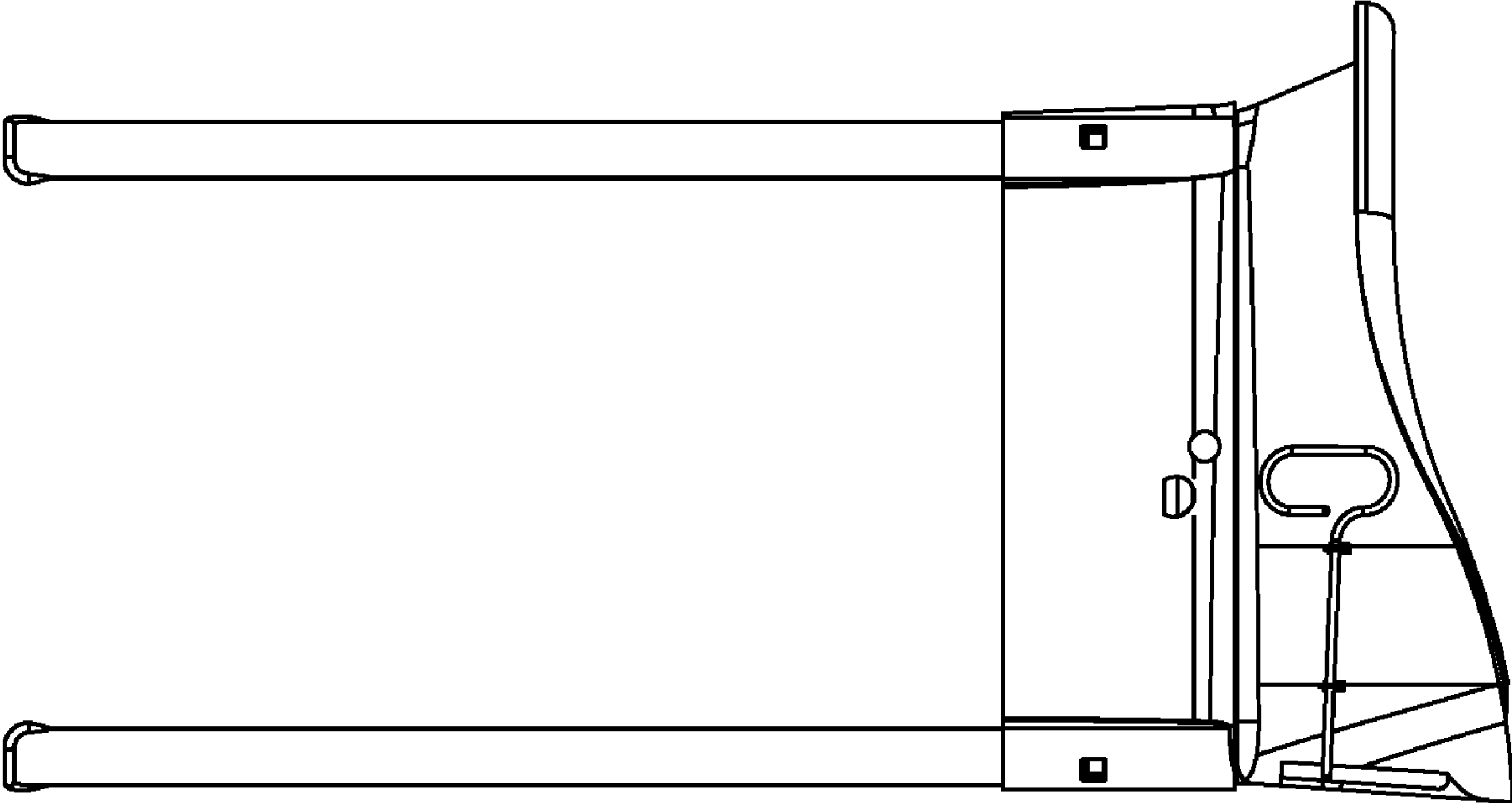


Fig.5

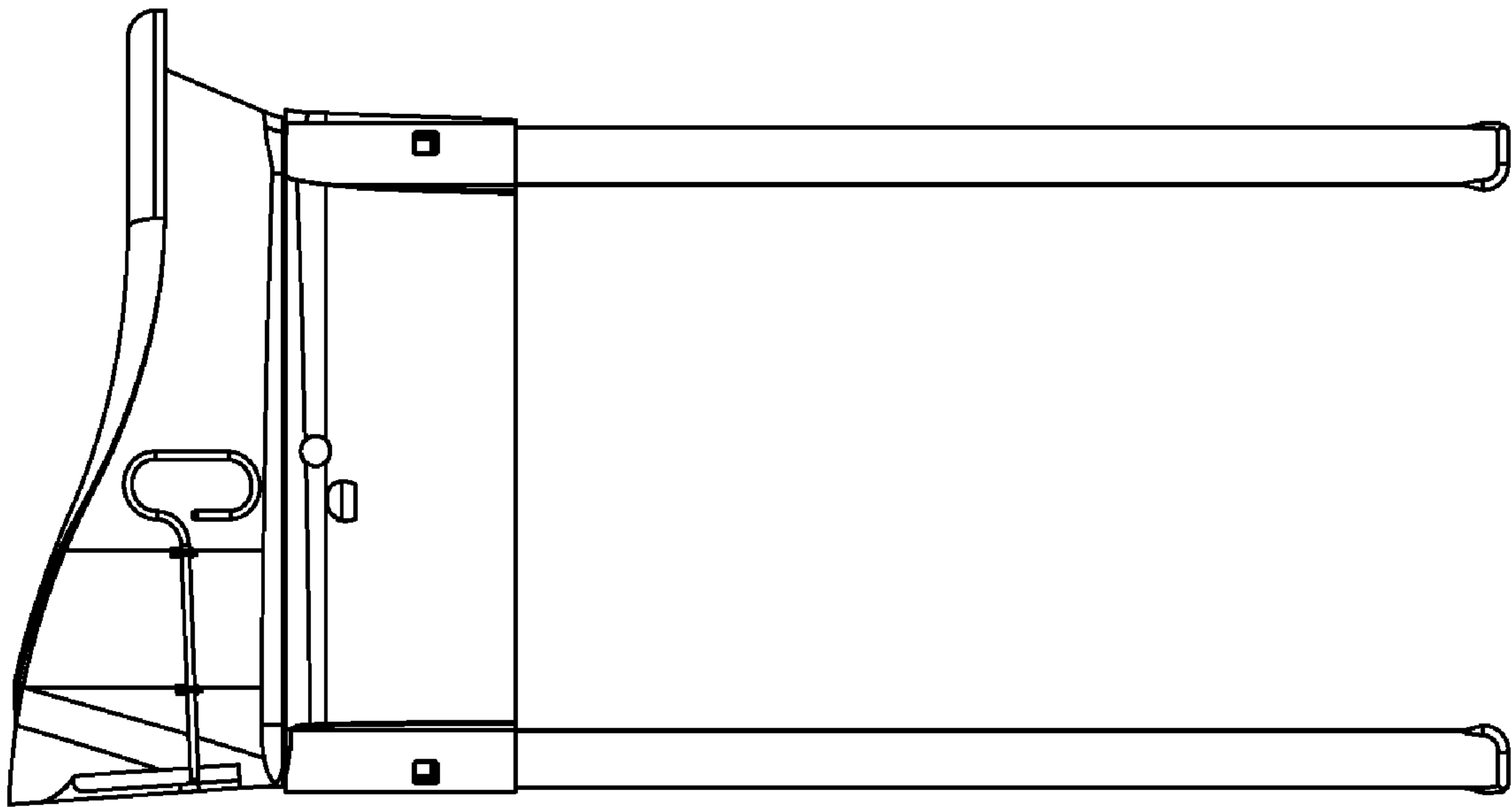


Fig.6

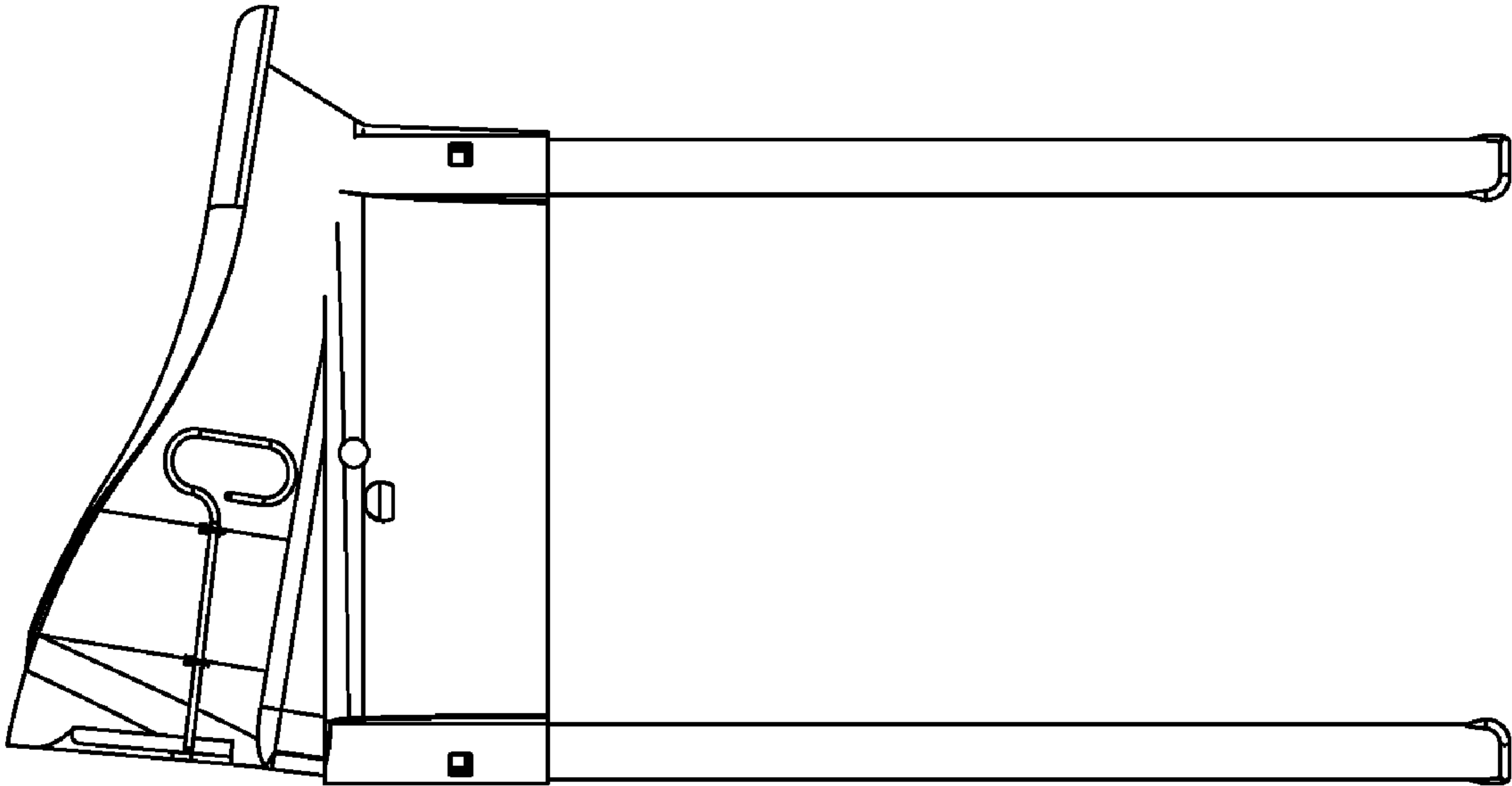


Fig.7

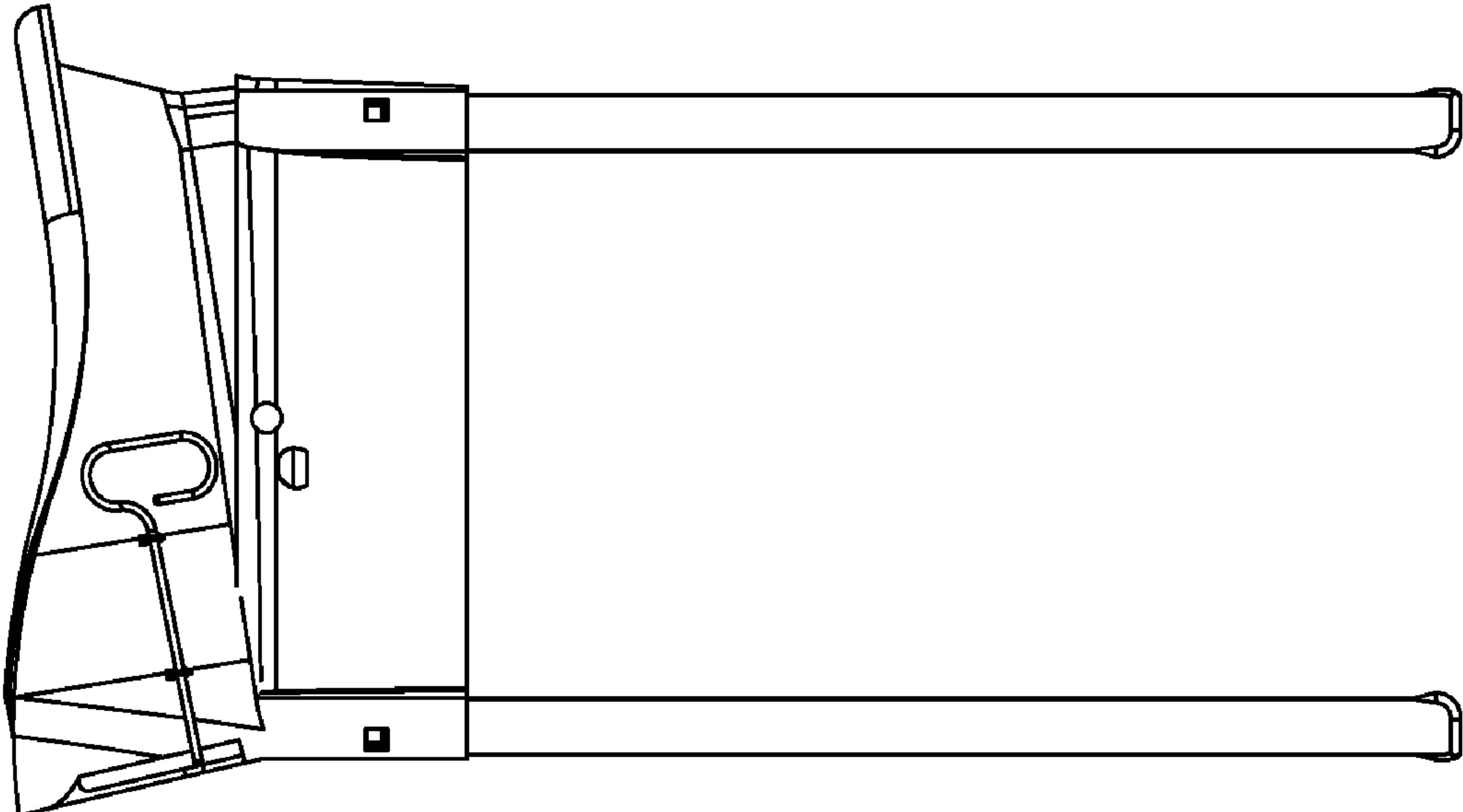


Fig.8

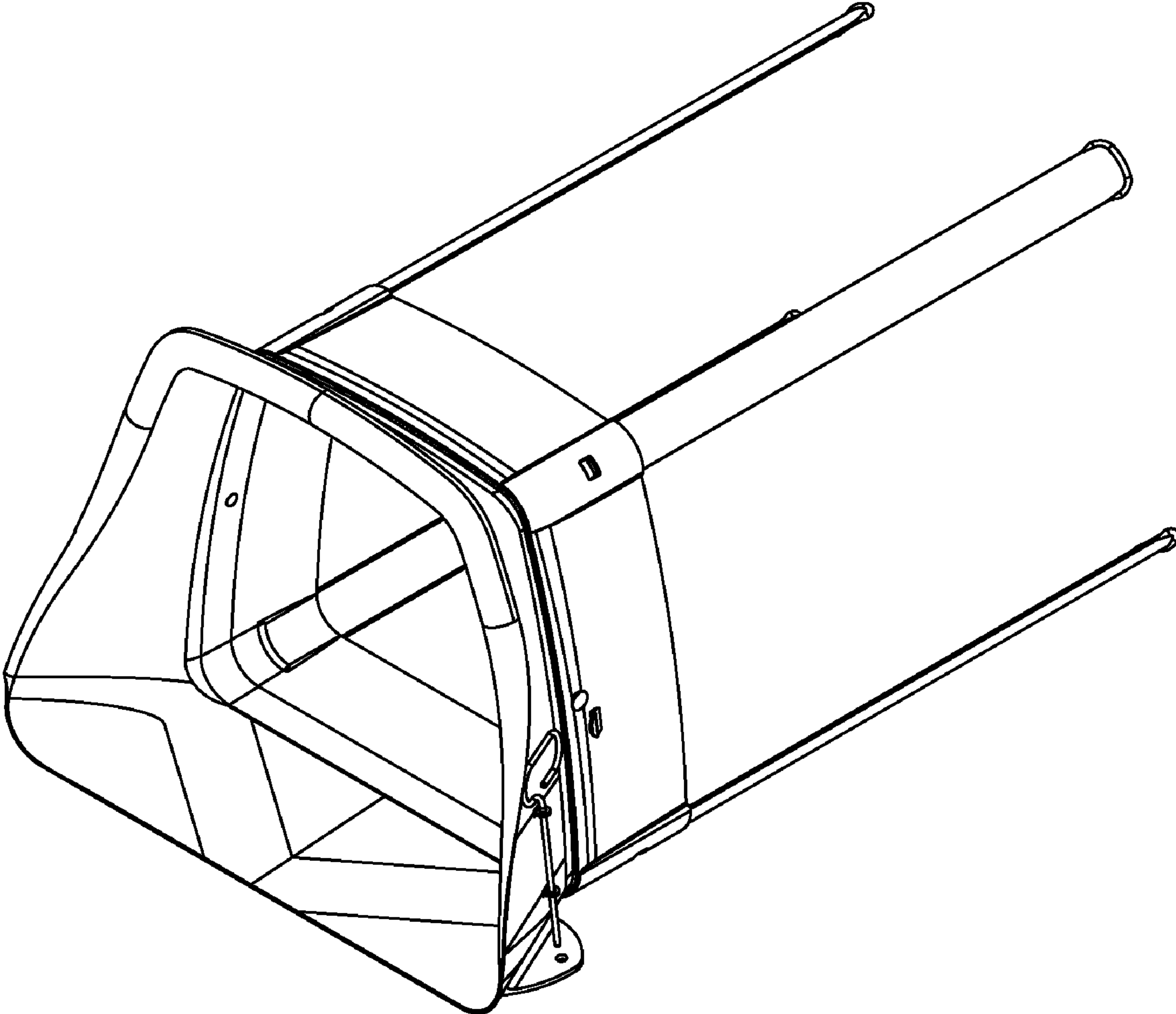


Fig.9