



US00D605367S

(12) **United States Design Patent**
Northrop

(10) **Patent No.:** **US D605,367 S**

(45) **Date of Patent:** **** Dec. 1, 2009**

(54) **PET KENNEL**

(75) Inventor: **Melaney Northrop**, Mansfield, TX (US)

(73) Assignee: **Doskocil Manufacturing Company, Inc.**, Arlington, TX (US)

(**) Term: **14 Years**

(21) Appl. No.: **29/328,384**

(22) Filed: **Nov. 24, 2008**

(51) **LOC (9) Cl.** **30-02**

(52) **U.S. Cl.** **D30/115**

(58) **Field of Classification Search** D30/108–113,
D30/117–118, 125, 161; D21/505; 119/163,
119/165–170, 452, 474, 496–498, 500, 203
See application file for complete search history.

(56) **References Cited**

U.S. PATENT DOCUMENTS

D244,949 S *	7/1977	Welker	D30/108
D248,333 S *	6/1978	Haugen	D30/161
4,177,761 A *	12/1979	Bellocchi, Jr.	119/482
4,201,153 A *	5/1980	Nace	119/224
D255,723 S *	7/1980	Anderson	D30/108
D279,944 S *	8/1985	McLaren et al.	D6/382
D300,965 S	5/1989	Conner		
D300,966 S	5/1989	Conner		
D300,967 S	5/1989	Conner		
D300,968 S	5/1989	Conner		
4,852,520 A	8/1989	Goetz		
4,856,706 A *	8/1989	Van Der Straten	229/110
D308,429 S	6/1990	VanSkiver		
D312,333 S	11/1990	VanSkiver		

(Continued)

OTHER PUBLICATIONS

“Pet Specialty Pet Carriers” Product Advertising Brochure, Doskocil Manufacturing Company, Inc., Copyright 1998.

Primary Examiner—Stella M Reid

Assistant Examiner—Rashida C McCoy

(74) *Attorney, Agent, or Firm*—Locke Lord Bissell & Liddell, LLP

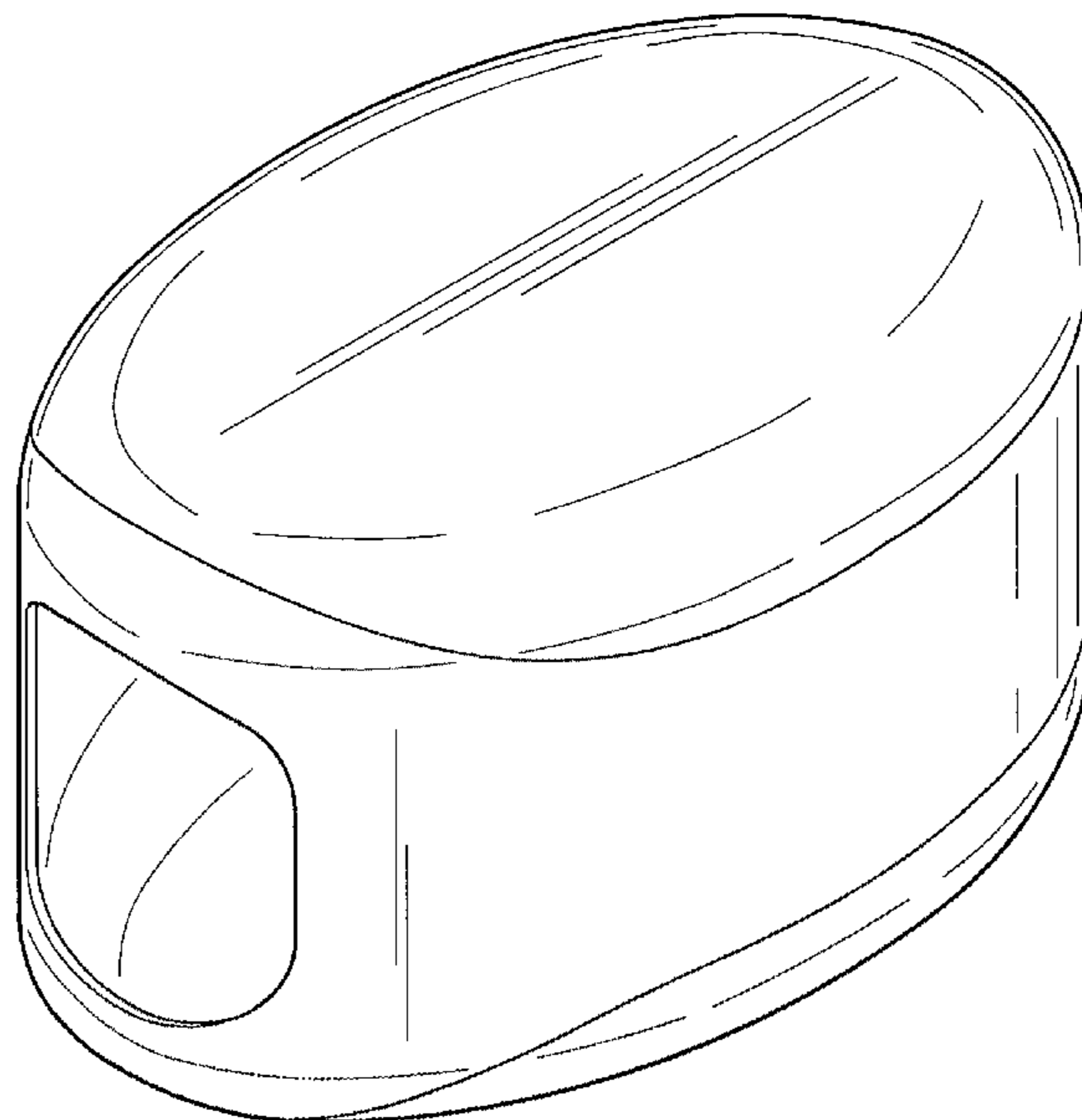
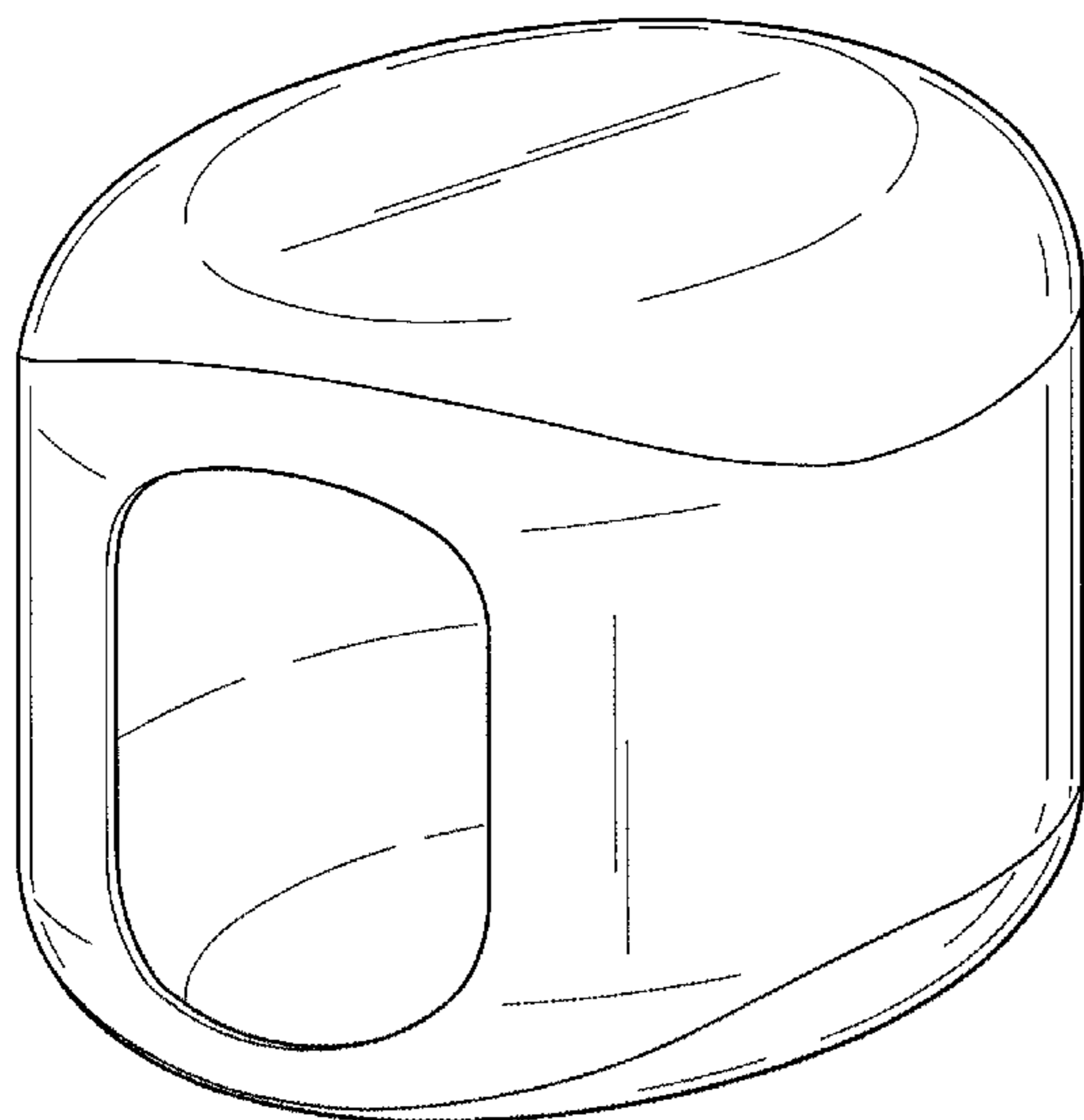
(57) **CLAIM**

The ornamental design for a pet kennel, as shown and described.

DESCRIPTION

FIG. 1 is a perspective view of my new pet kennel;
 FIG. 2 is a right side elevational view, the left side elevational view being a mirror image thereof of the pet kennel shown in FIG. 1;
 FIG. 3 is a front elevational view of the pet kennel shown in FIG. 1;
 FIG. 4 is a top plan view of the pet kennel shown in FIG. 1;
 FIG. 5 is a rear elevational view of the pet kennel shown in FIG. 1;
 FIG. 6 is a perspective view of an alternate embodiment of my new pet kennel;
 FIG. 7 is a right side elevational view, the left side elevational view being a mirror image thereof of the pet kennel shown in FIG. 6;
 FIG. 8 is a front elevational view of the pet kennel shown in FIG. 6;
 FIG. 9 is a top plan view of the pet kennel shown in FIG. 6;
 and,
 FIG. 10 is a rear elevational view of the pet kennel shown in FIG. 6.

1 Claim, 4 Drawing Sheets



US D605,367 S

Page 2

U.S. PATENT DOCUMENTS

D314,251 S	1/1991	VanSkiver	
D317,665 S *	6/1991	Marshall	D30/108
D320,479 S *	10/1991	Cheval et al.	D30/108
D321,068 S *	10/1991	Shantz et al.	D30/108
5,154,137 A	10/1992	Stanaland	
5,383,422 A *	1/1995	Morris	119/499
D361,175 S	8/1995	VanSkiver	
5,462,015 A	10/1995	Murphy	
D364,712 S	11/1995	Murphy et al.	
5,471,950 A	12/1995	White	
D367,732 S	3/1996	Murphy et al.	
D367,733 S	3/1996	Paxman	
D374,510 S	10/1996	Barreto et al.	
D420,471 S *	2/2000	French	D30/108
6,182,611 B1	2/2001	Marchioro	
D445,222 S	7/2001	Ross	
6,427,631 B1	8/2002	Ross	
D470,628 S	2/2003	Kinder et al.	
D471,676 S	3/2003	Kinder et al.	
D483,158 S *	12/2003	Ward	D30/161
D485,649 S *	1/2004	Fick	D30/108
D511,027 S *	10/2005	Mueller	D30/118
7,021,243 B2 *	4/2006	Harper et al.	119/498
D523,182 S *	6/2006	Lieu	D30/108
D534,321 S *	12/2006	Simpson et al.	D30/161
D545,004 S	6/2007	Harper et al.	
D545,507 S	6/2007	Harper et al.	
D546,005 S	7/2007	Harper et al.	
D551,399 S	9/2007	Harper et al.	
D555,292 S	11/2007	Harper et al.	
D555,294 S *	11/2007	Northrop	D30/108
2003/0116098 A1	6/2003	Chrisco et al.	
2004/0139922 A1	7/2004	Kost et al.	

* cited by examiner

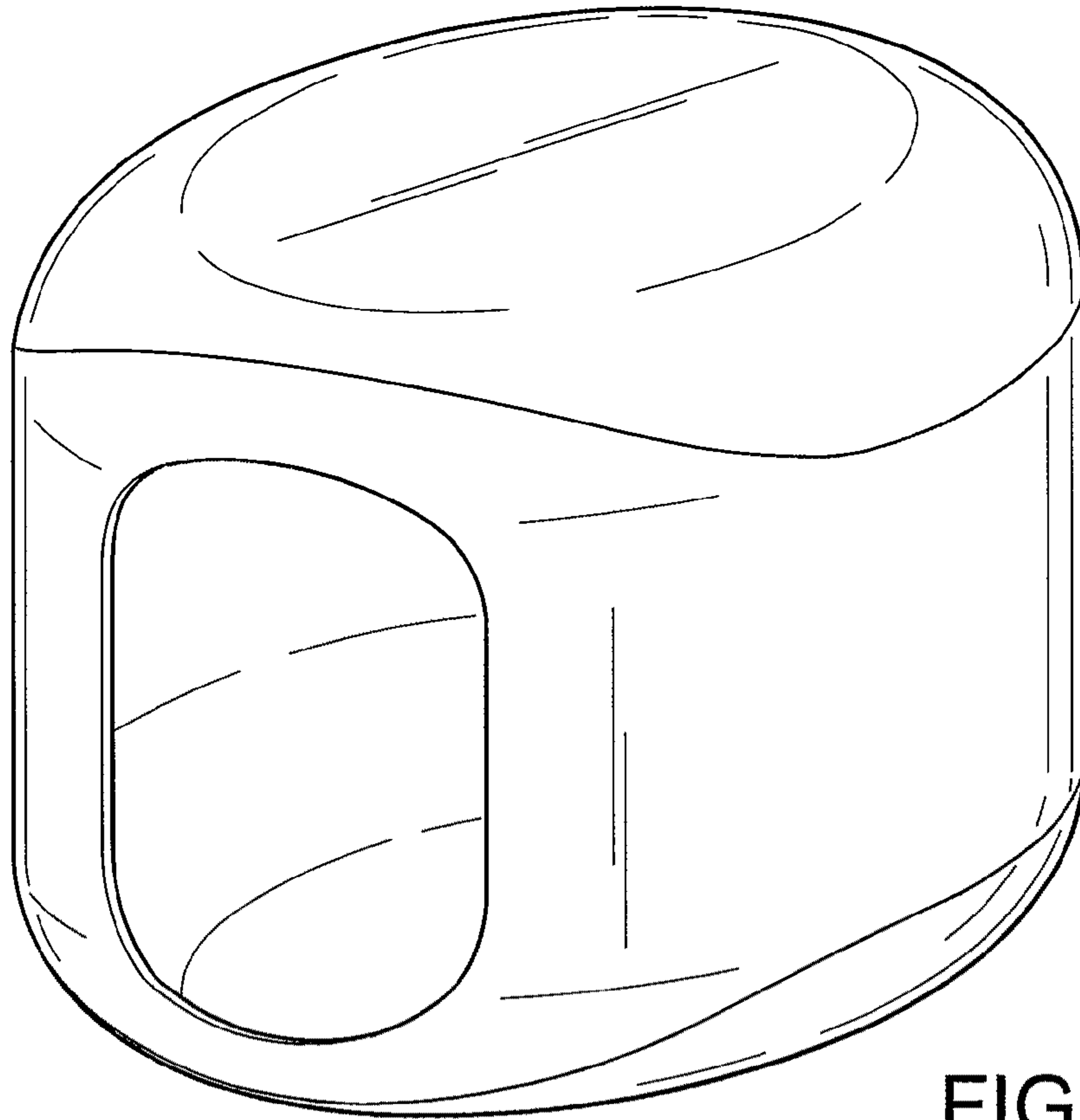


FIG. 1

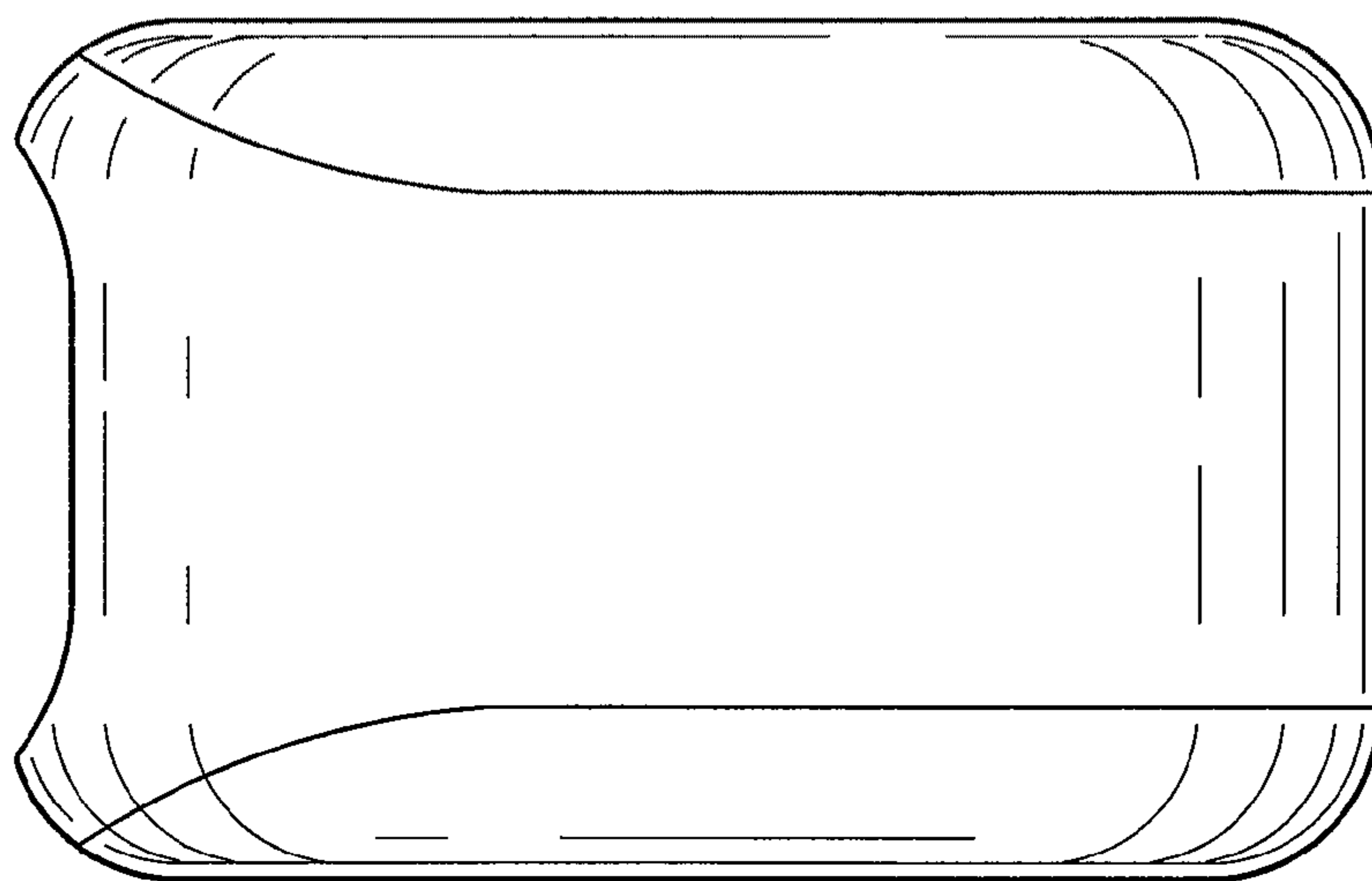


FIG. 2

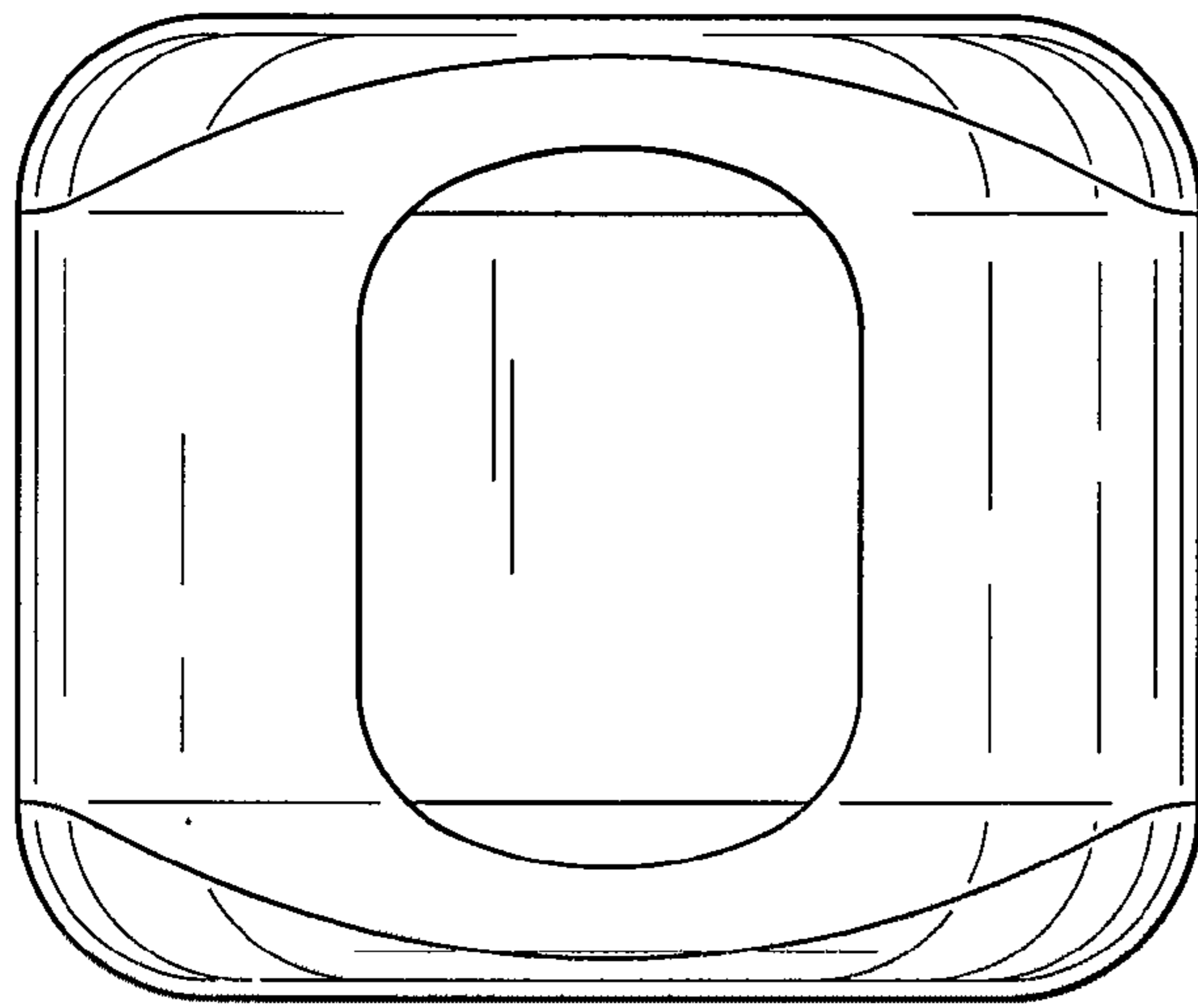


FIG. 3

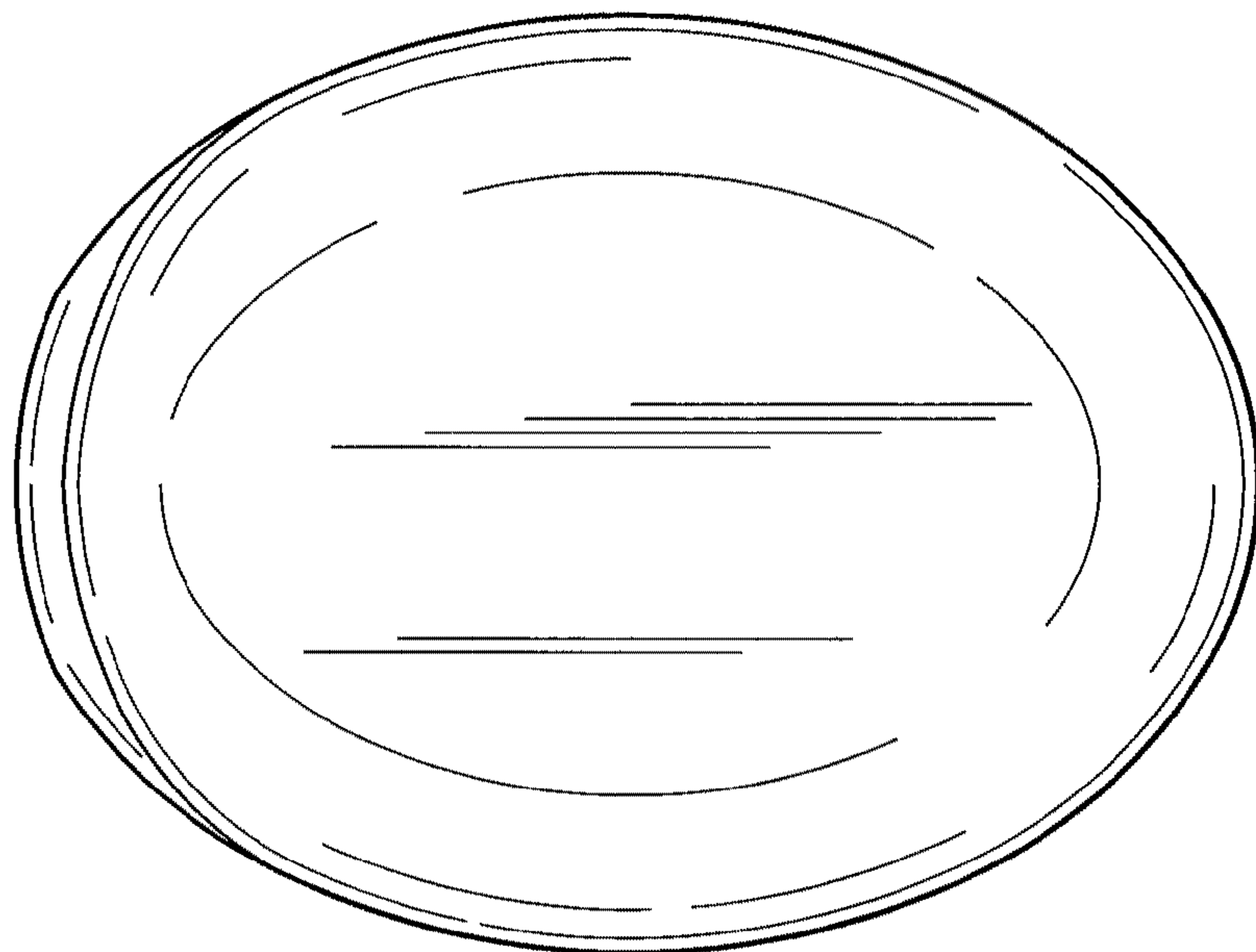


FIG. 4

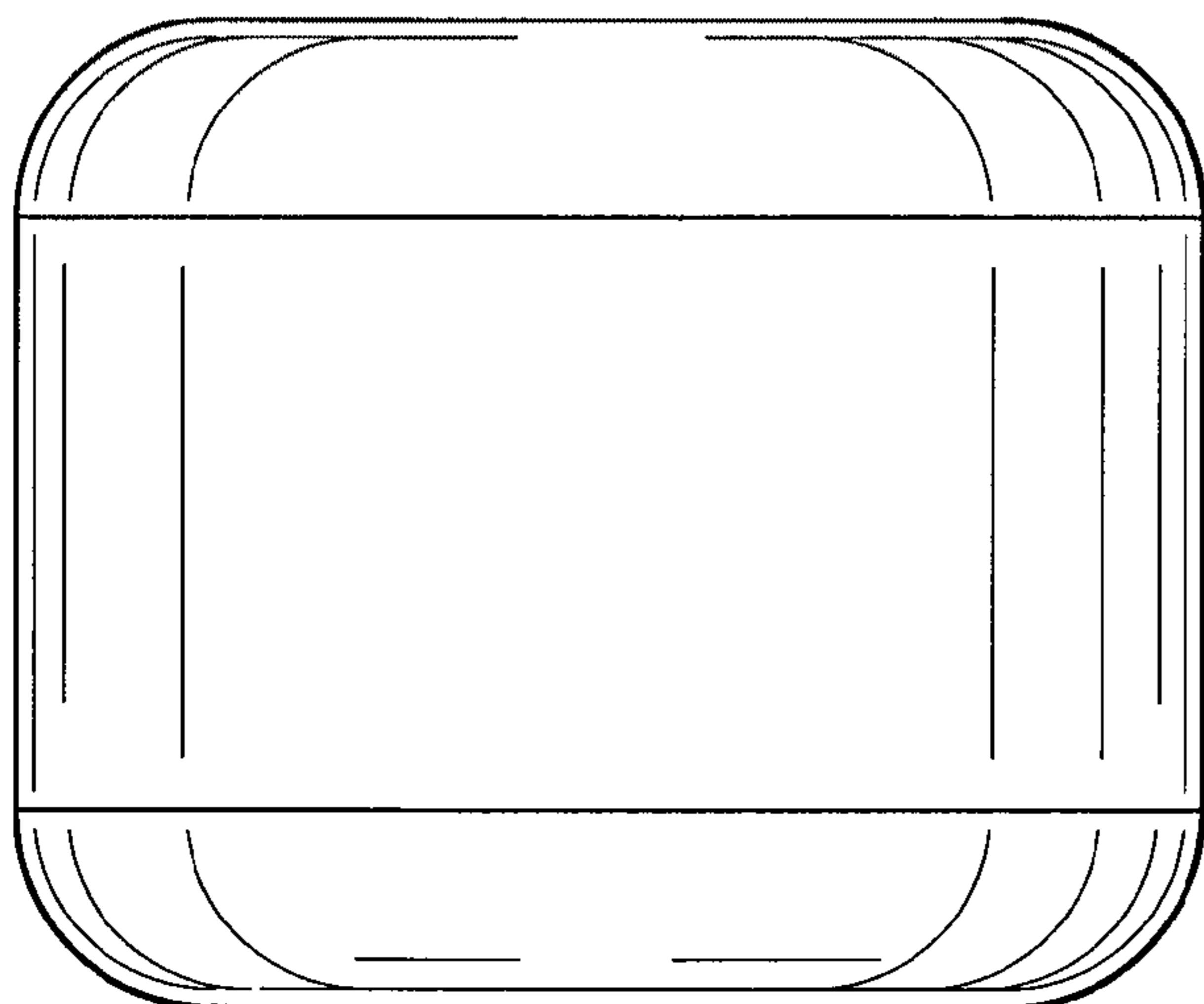


FIG. 5

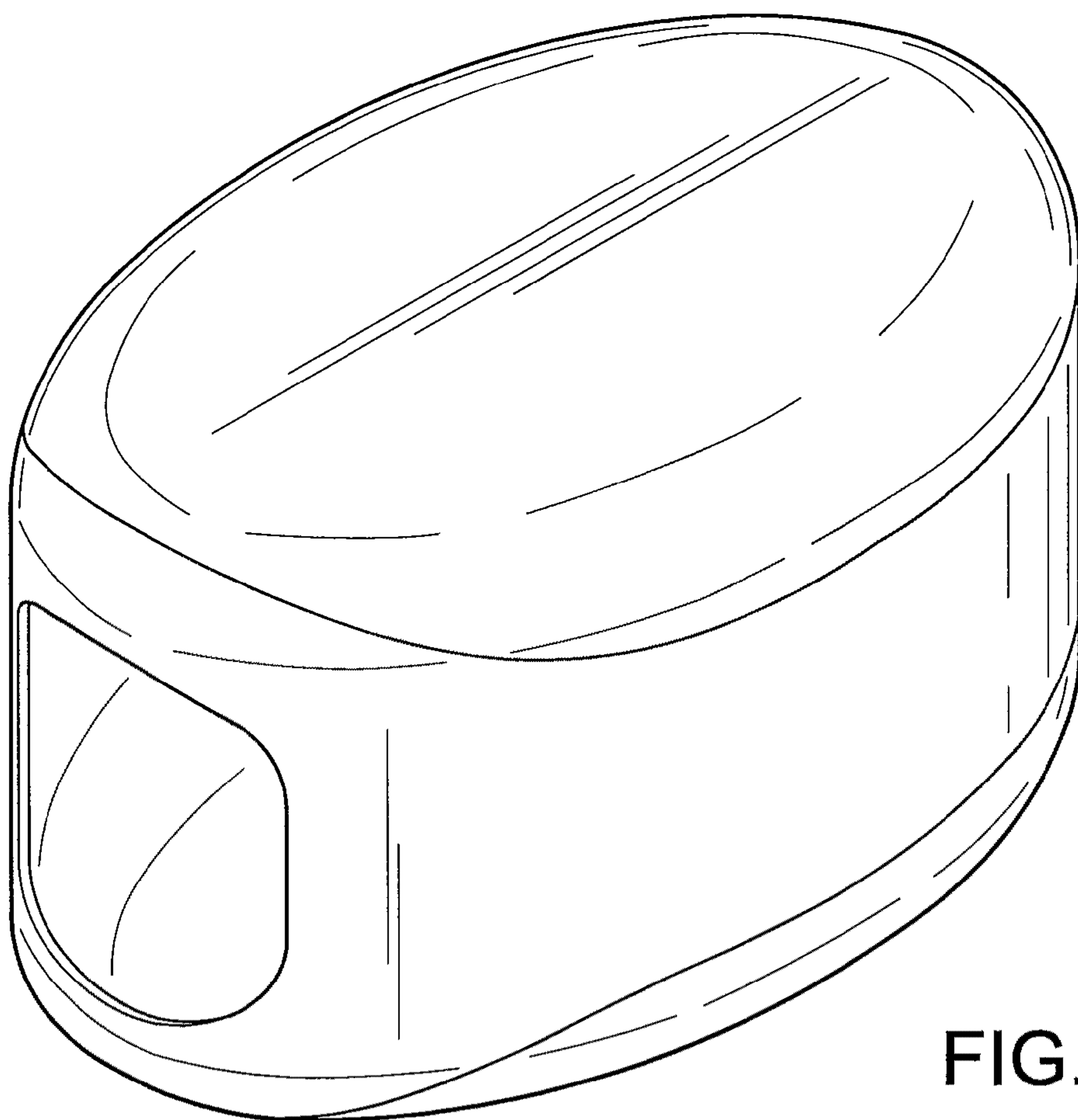


FIG. 6

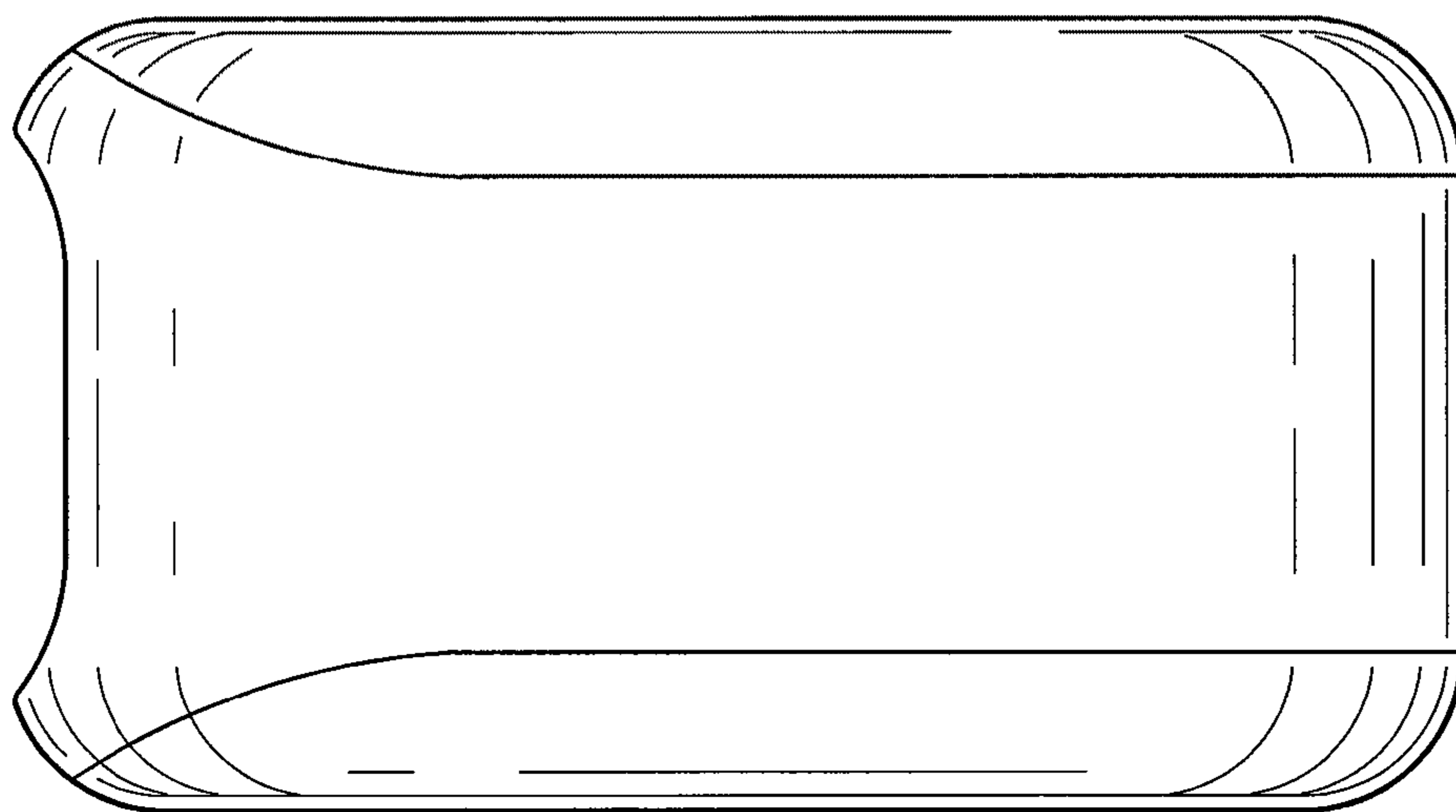


FIG. 7

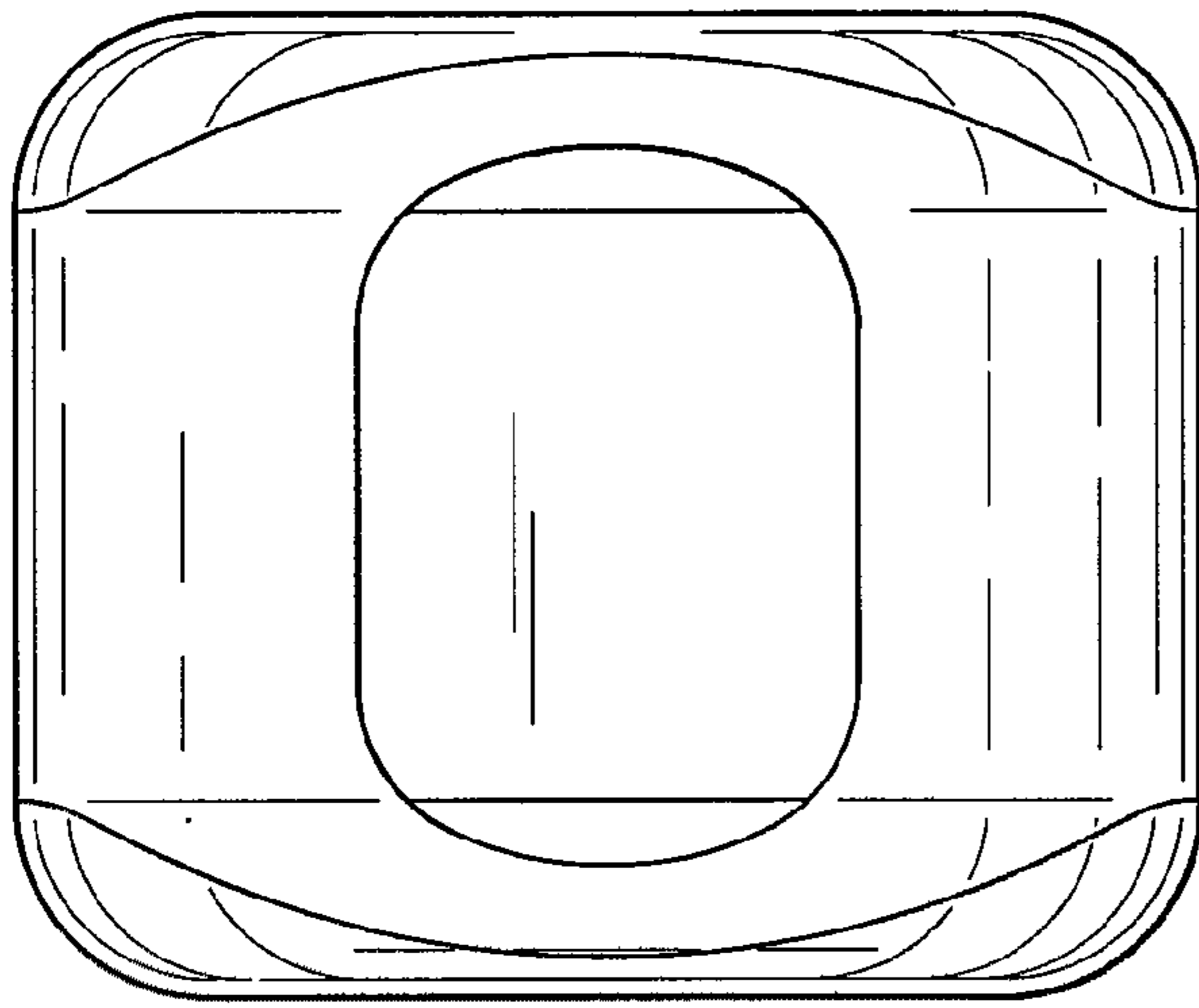


FIG. 8

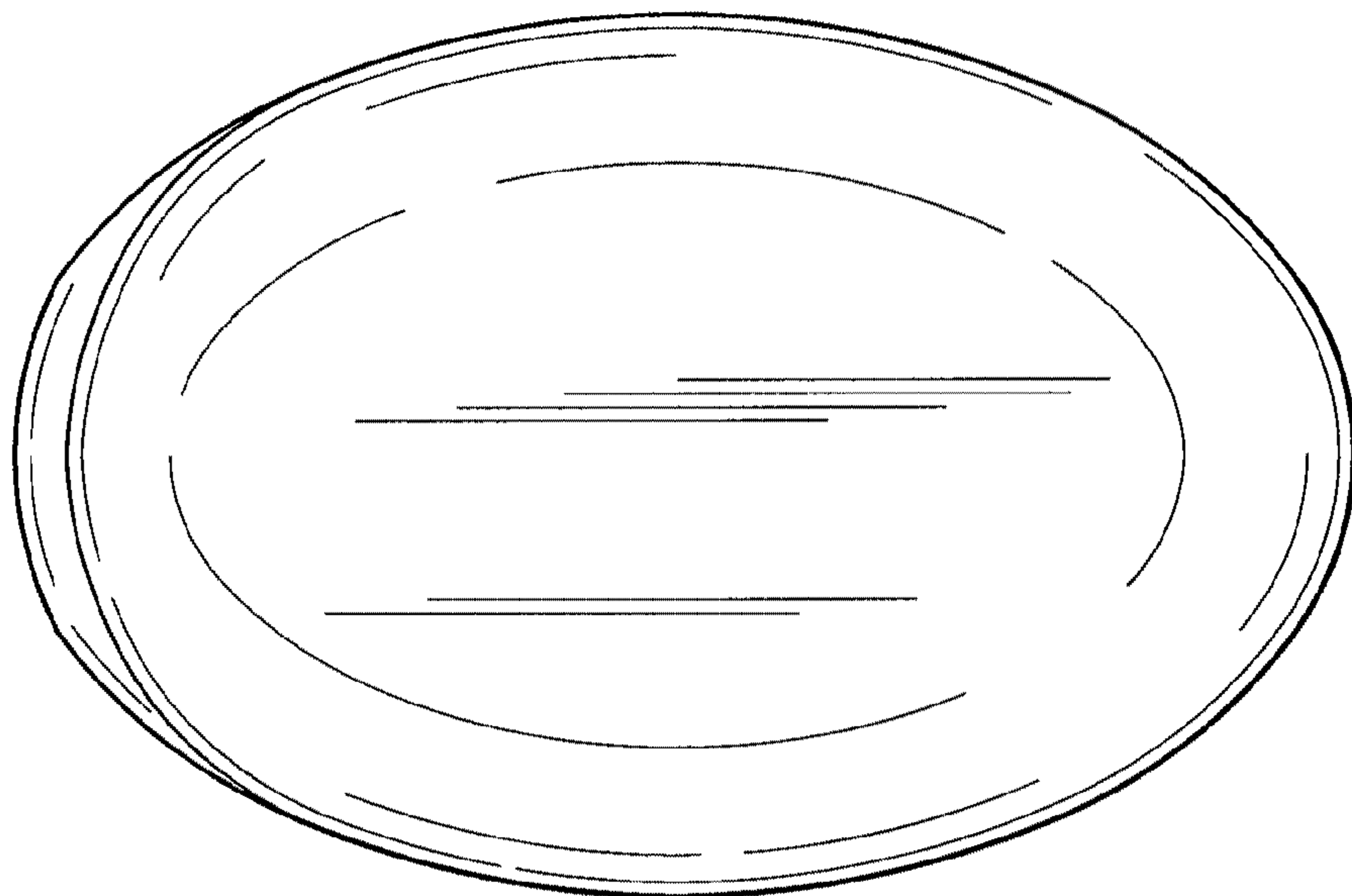


FIG. 9

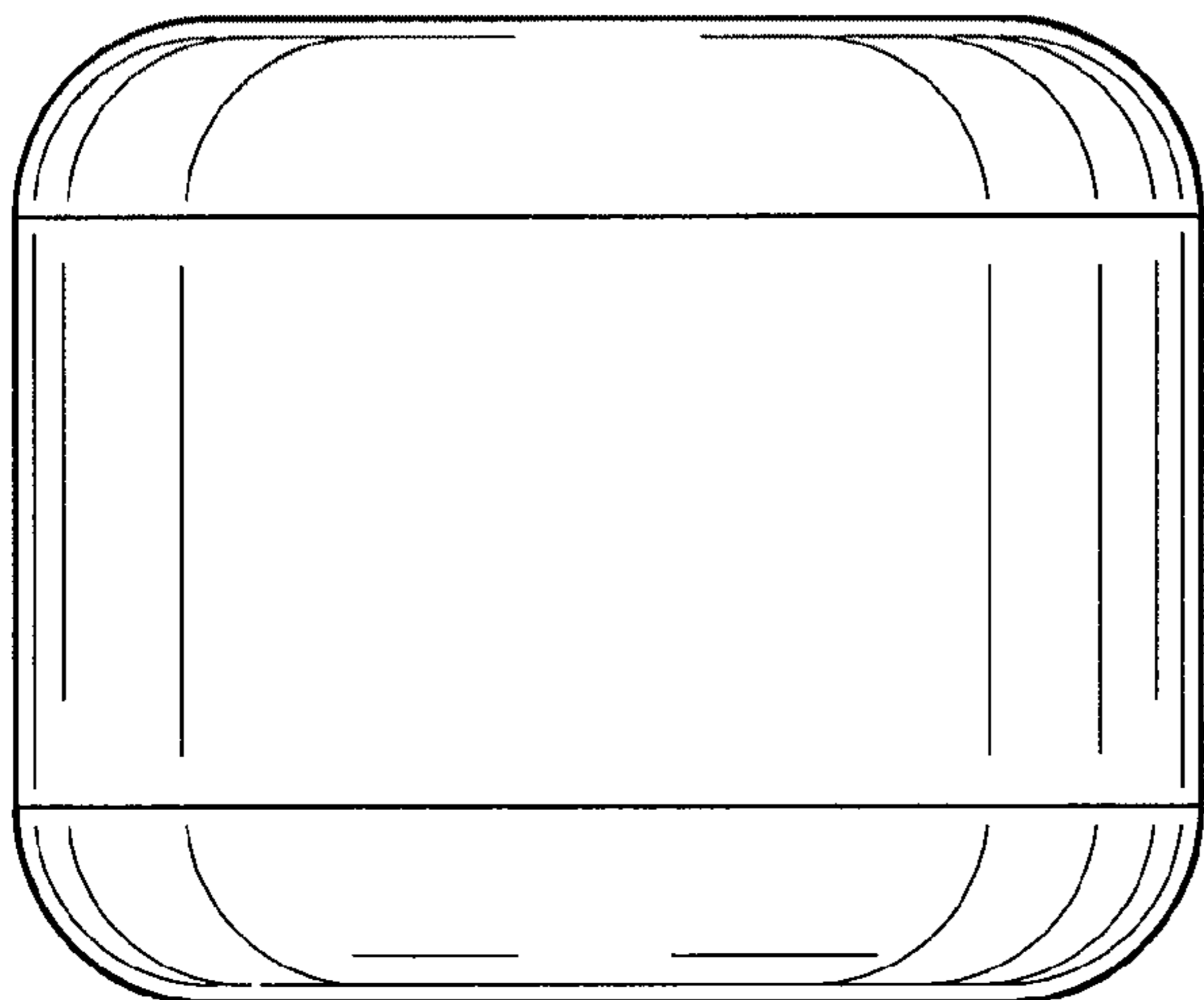


FIG. 10