



US00D605362S

(12) **United States Design Patent**
Andersen

(10) **Patent No.:** **US D605,362 S**

(45) **Date of Patent:** **** Dec. 1, 2009**

(54) **ADJUSTABLE EXTENDABLE SHAVING DEVICE**

Primary Examiner—Jennifer Rivard
(74) *Attorney, Agent, or Firm*—Robert C. Montgomery; Joseph T. Yaksich

(76) **Inventor:** **Nancy A. Andersen**, 4507 N. 16th St.,
Terre Haute, IN (US) 47805

(57) **CLAIM**

(**) **Term:** **14 Years**

The ornamental design for an adjustable extendable shaving device.

(21) **Appl. No.:** **29/314,026**

(22) **Filed:** **Feb. 27, 2009**

DESCRIPTION

(51) **LOC (9) Cl.** **28-03**

(52) **U.S. Cl.** **D28/48**

(58) **Field of Classification Search** 30/32,
30/34.05, 34.1, 34.2, 41–41.8, 44–45, 47–51,
30/53–58, 526–533; D28/44.1–48

See application file for complete search history.

FIG. 1 is an isometric view of an adjustable extendable shaving device in a partially extended state;

FIG. 2 is an isometric view of an adjustable extendable shaving device in a fully extended state;

FIG. 3 is a front view of the device of FIG. 2;

FIG. 4 is a rear view of the device of FIG. 2;

FIG. 5 is a left side view of the device of FIG. 2 with a right side view being the mirror image thereof;

FIG. 6 is a top view of the device of FIG. 2;

FIG. 7 is a bottom view of the device of FIG. 2;

FIG. 8 is an isometric view of an adjustable extendable shaving device in a fully retracted state;

FIG. 9 is a front view of the device of FIG. 8;

FIG. 10 is a rear view of the device of FIG. 8;

FIG. 11 is a left side view of the device of FIG. 8 with a right side view being the mirror image thereof; and,

FIG. 12 is a bottom view of the device of FIG. 8.

The broken lines shown in the drawings illustrate portions of the article and form no part of the claimed design.

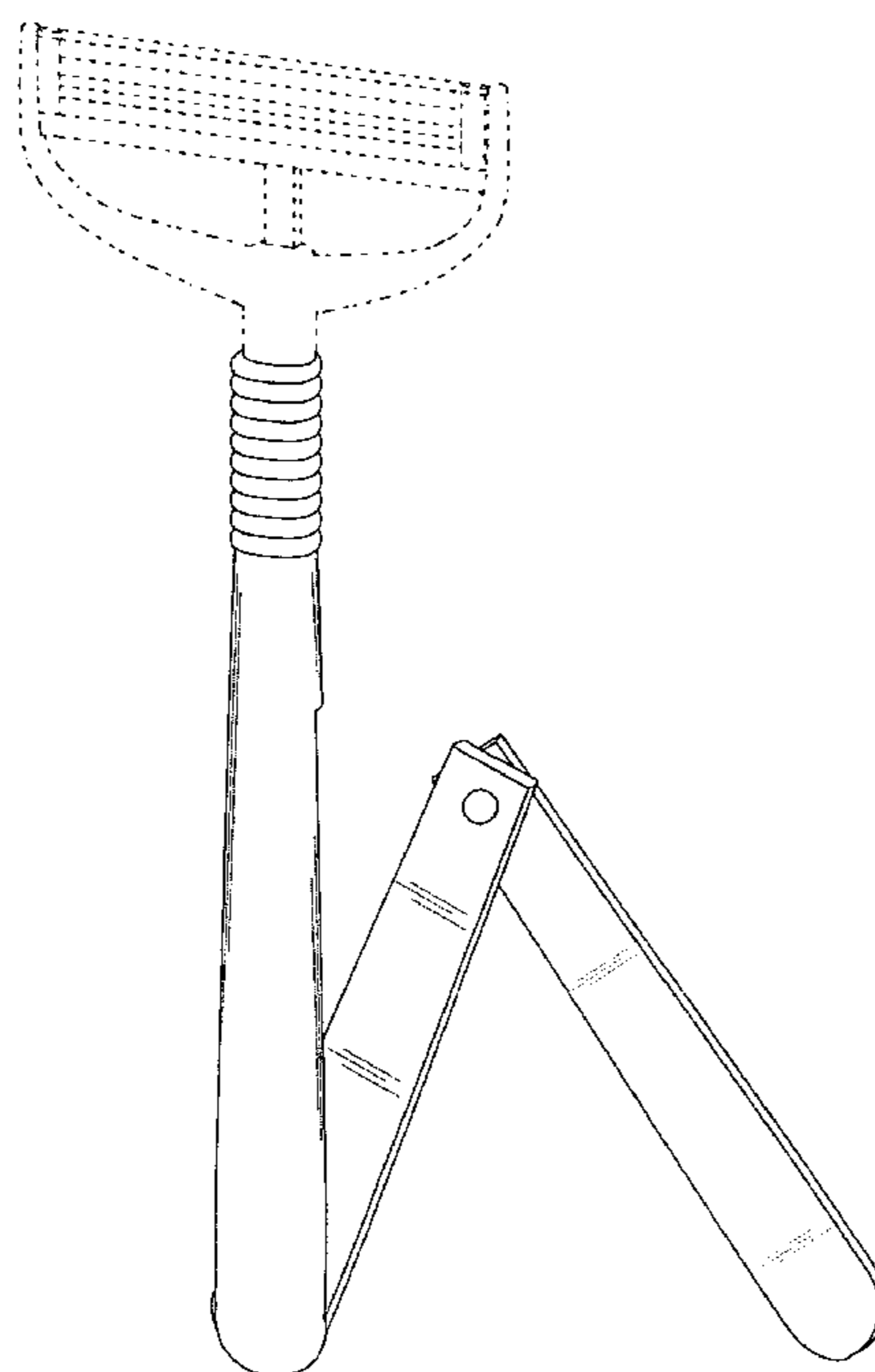
(56) **References Cited**

U.S. PATENT DOCUMENTS

3,750,280	A	8/1973	LePaliscot et al.	
5,167,069	A	12/1992	Quinn	
5,240,339	A	8/1993	DeForest et al.	
5,673,455	A	10/1997	Per-Lee et al.	
5,911,480	A	6/1999	Morgan	
6,189,222	B1	2/2001	Doyle	
6,266,888	B1 *	7/2001	Zowaski	30/527
D500,172	S	12/2004	Fields	
6,830,552	B1	12/2004	Gonzalez	
7,028,407	B2	4/2006	Ehrlich et al.	
7,309,180	B2	12/2007	Russell et al.	
2003/0177648	A1 *	9/2003	Zeiter	30/526
2004/0107585	A1 *	6/2004	Helmrich	30/537
2004/0194325	A1	10/2004	Ehrlich et al.	
2007/0062043	A1	3/2007	Marut	

* cited by examiner

1 Claim, 11 Drawing Sheets



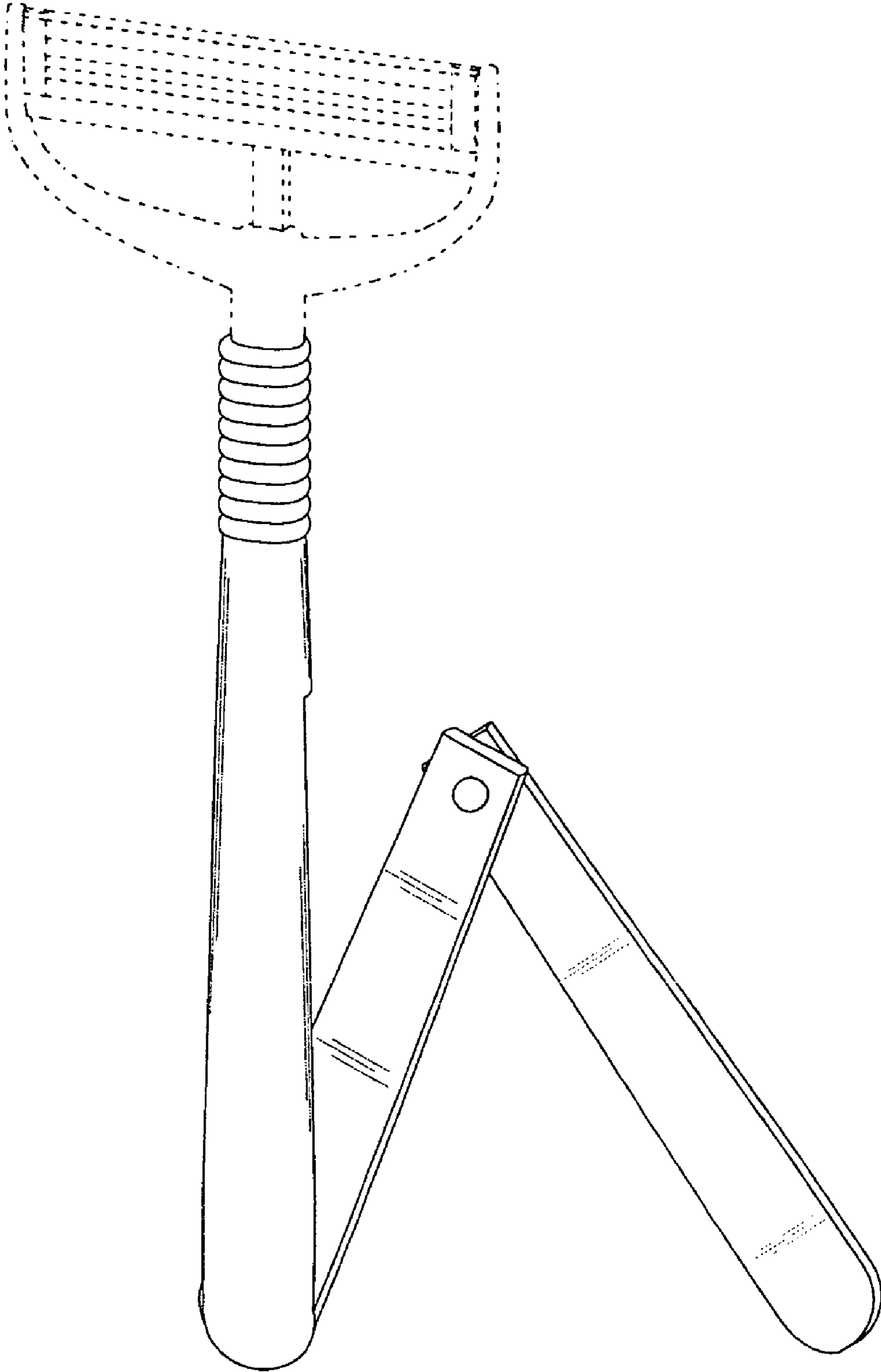


Fig. 1

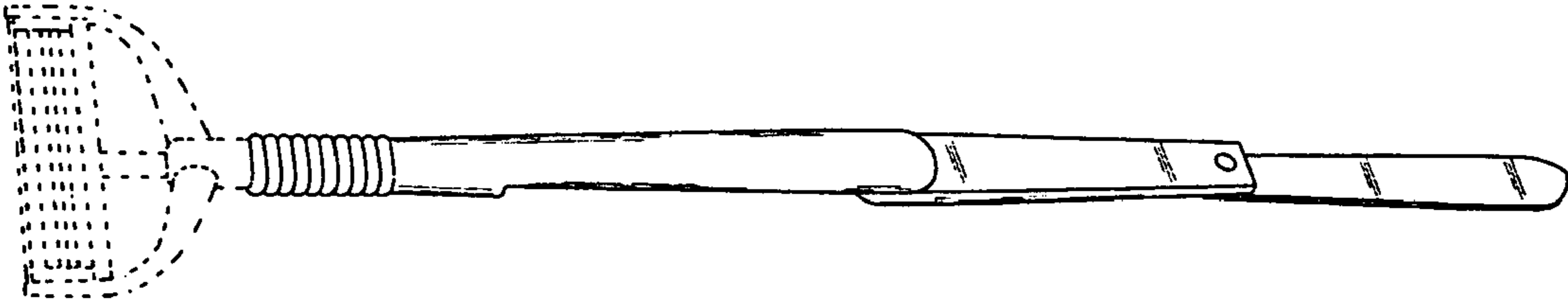


Fig. 2

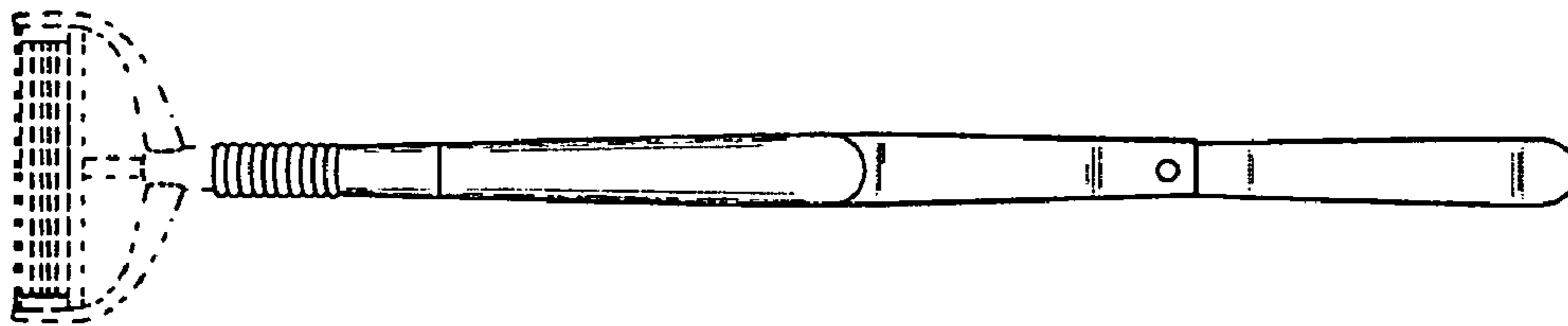


Fig. 3

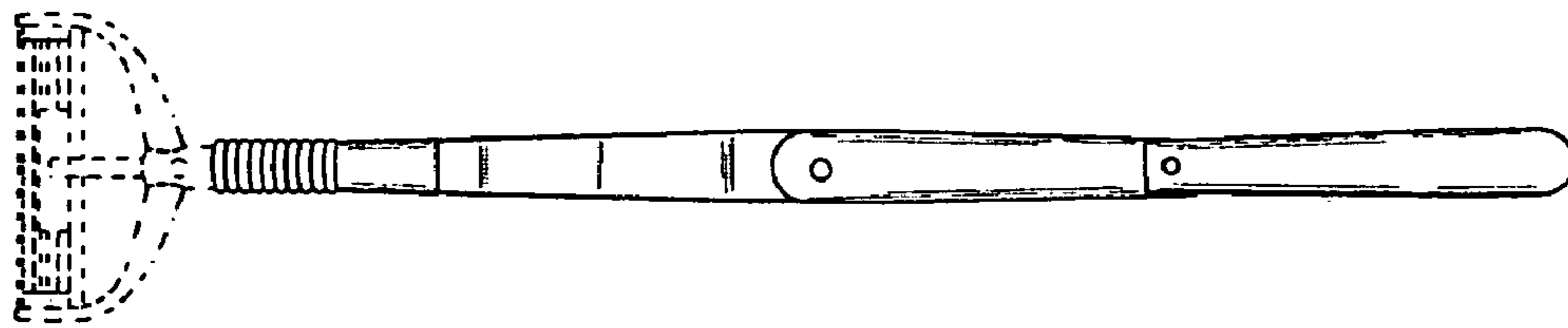


Fig. 4



Fig. 5

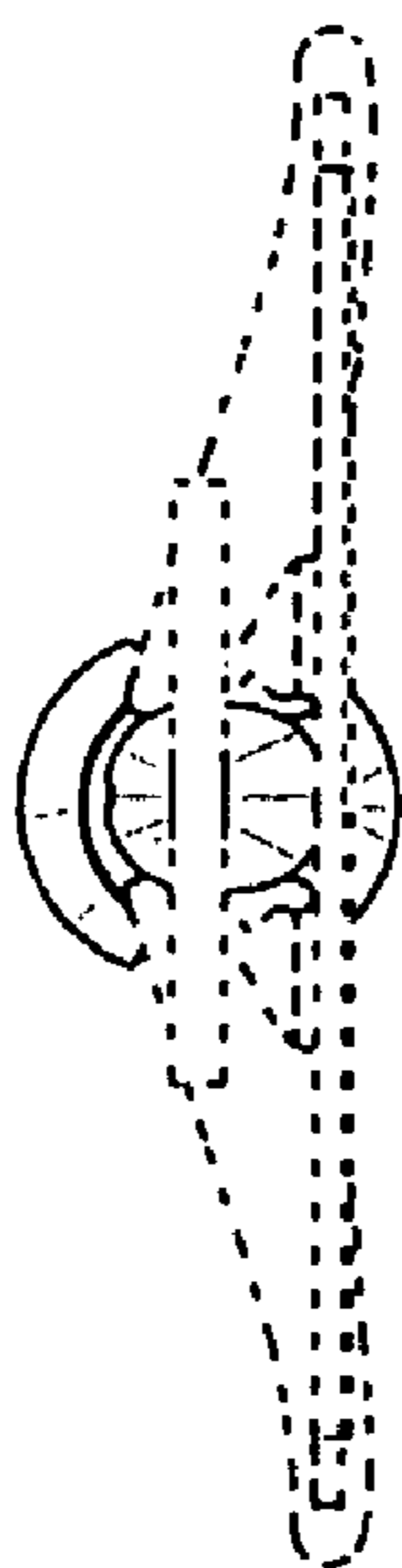


Fig. 6

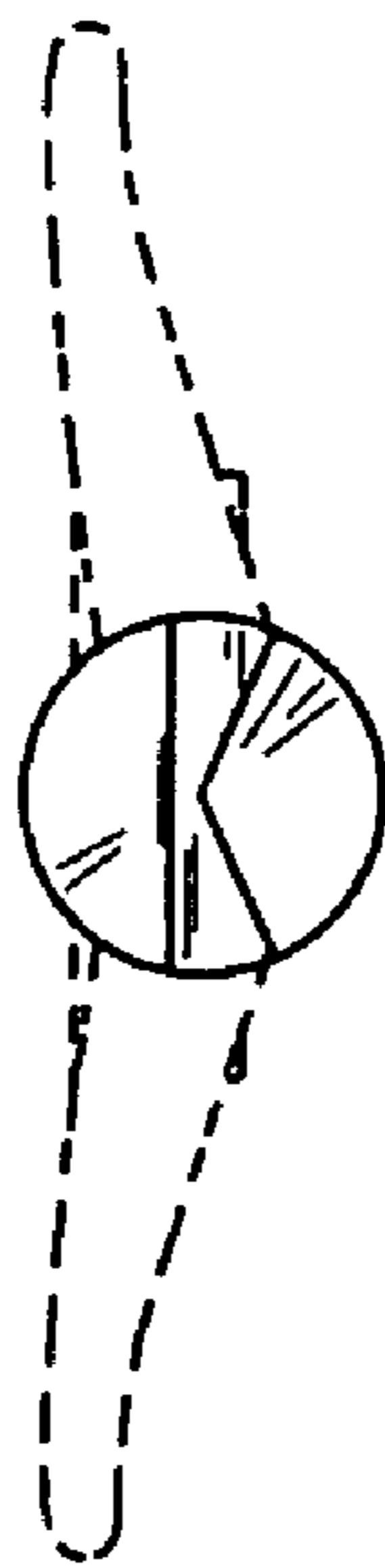


Fig. 7

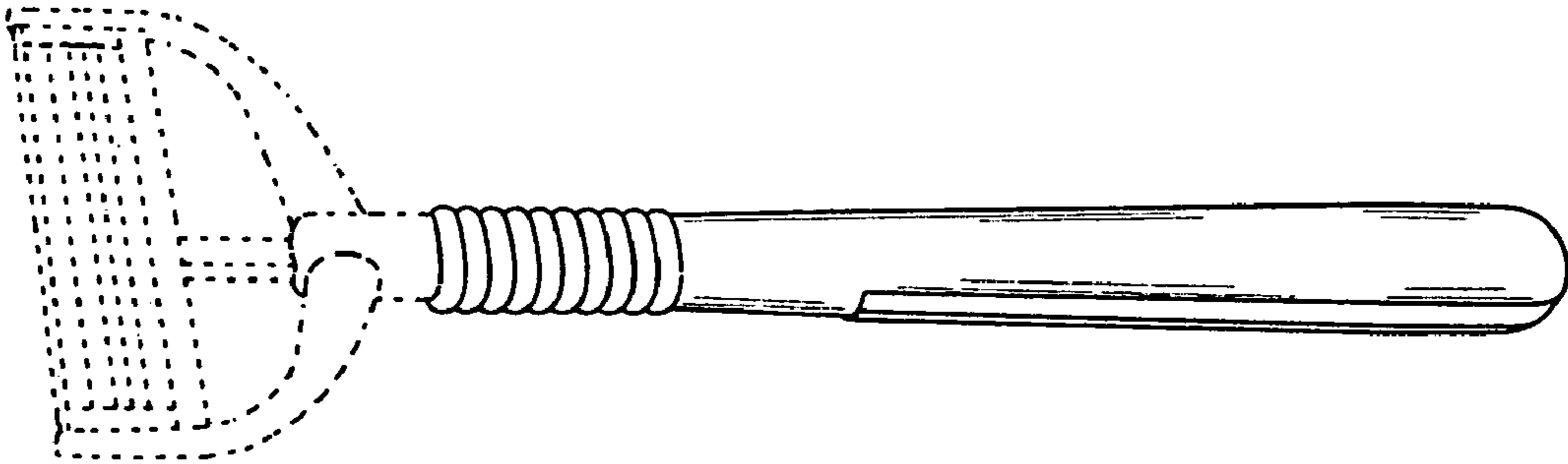


Fig. 8

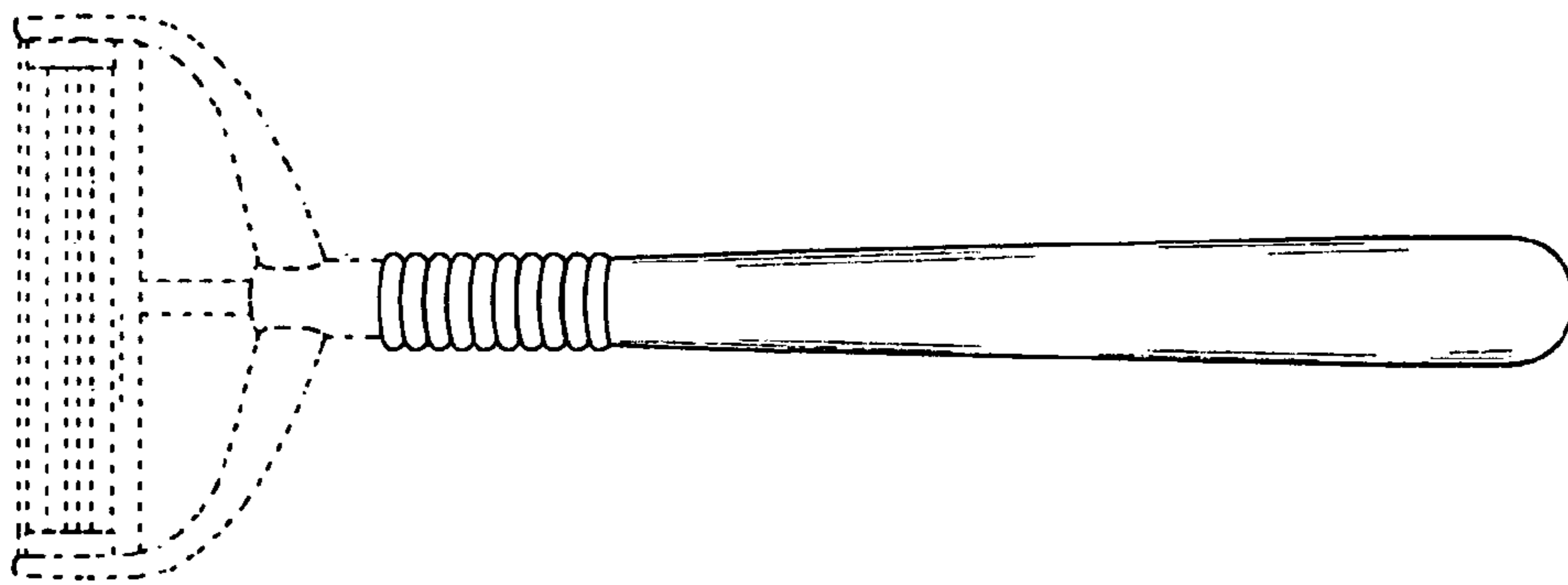


Fig. 9

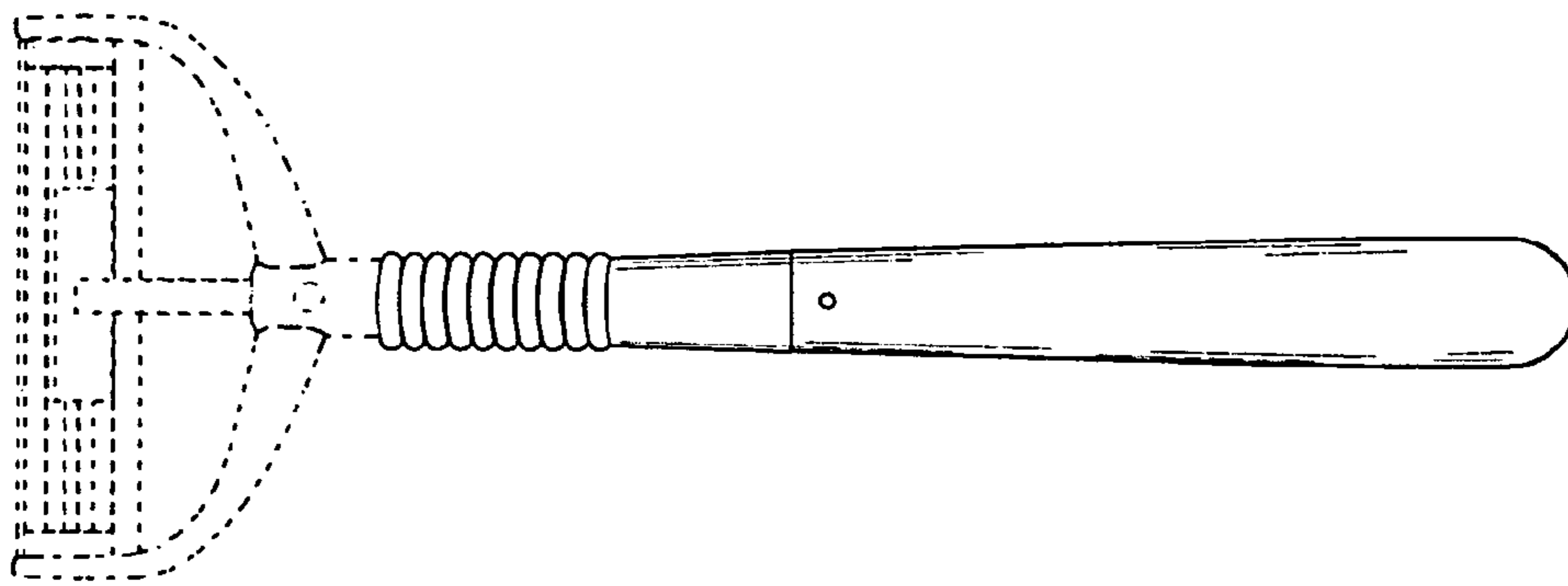


Fig. 10

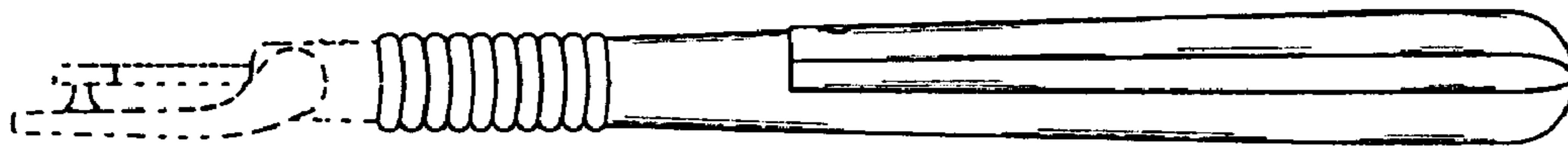


Fig. 11

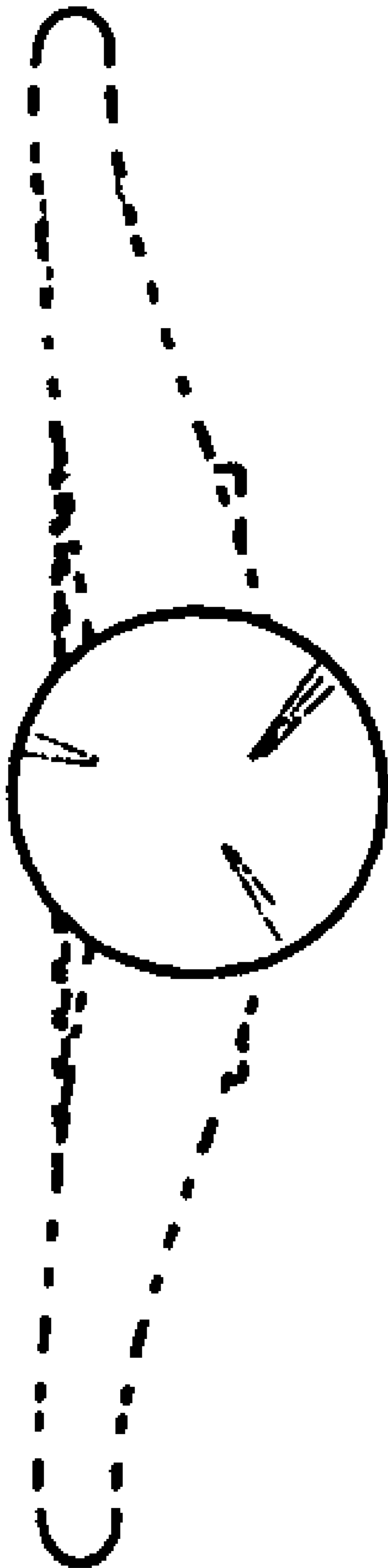


Fig. 12