



US00D605357S

(12) **United States Design Patent**  
**Kwok**

(10) **Patent No.:** **US D605,357 S**

(45) **Date of Patent:** **\*\* Dec. 1, 2009**

(54) **HAIR STRAIGHTENER**

D567,999 S \* 4/2008 Leung ..... D28/35  
D586,038 S \* 2/2009 Kim ..... D28/35

(75) Inventor: **Kin Sun Kwok**, New Territories (HK)

\* cited by examiner

(73) Assignee: **Kenford Industrial Co. Ltd.**, New Territories (HK)

*Primary Examiner*—Jennifer Rivard  
(74) *Attorney, Agent, or Firm*—Intellectual Property Law Group LLP; Juneko Jackson; Otto O. Lee

(\*\*) Term: **14 Years**

(21) Appl. No.: **29/331,195**

(57) **CLAIM**

(22) Filed: **Jan. 21, 2009**

The ornamental design for a hair straightener, as shown and described.

(30) **Foreign Application Priority Data**

**DESCRIPTION**

Jul. 24, 2008 (CN) ..... 2008 3 0211325

FIG. 1 is a perspective view of a hair straightener embodying my new design;

(51) **LOC (9) Cl.** ..... **28-03**

FIG. 2 is a left side elevational view thereof;

(52) **U.S. Cl.** ..... **D28/35**

FIG. 3 is a right side elevational view thereof;

(58) **Field of Classification Search** ..... 132/222–225,  
132/227–229, 236, 245; 219/222, 225–226;  
D28/37–38, 35

FIG. 4 is a front elevational view thereof; the rear elevational view being a mirror image thereof;

See application file for complete search history.

FIG. 5 is a top plan view thereof; and,

(56) **References Cited**

FIG. 6 is a bottom plan view thereof.

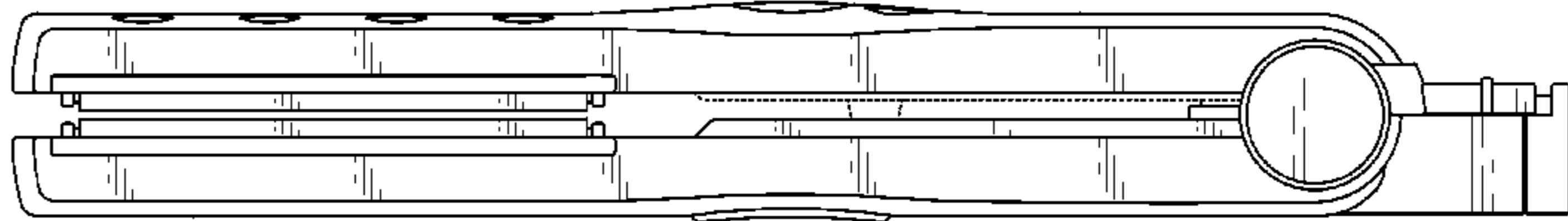
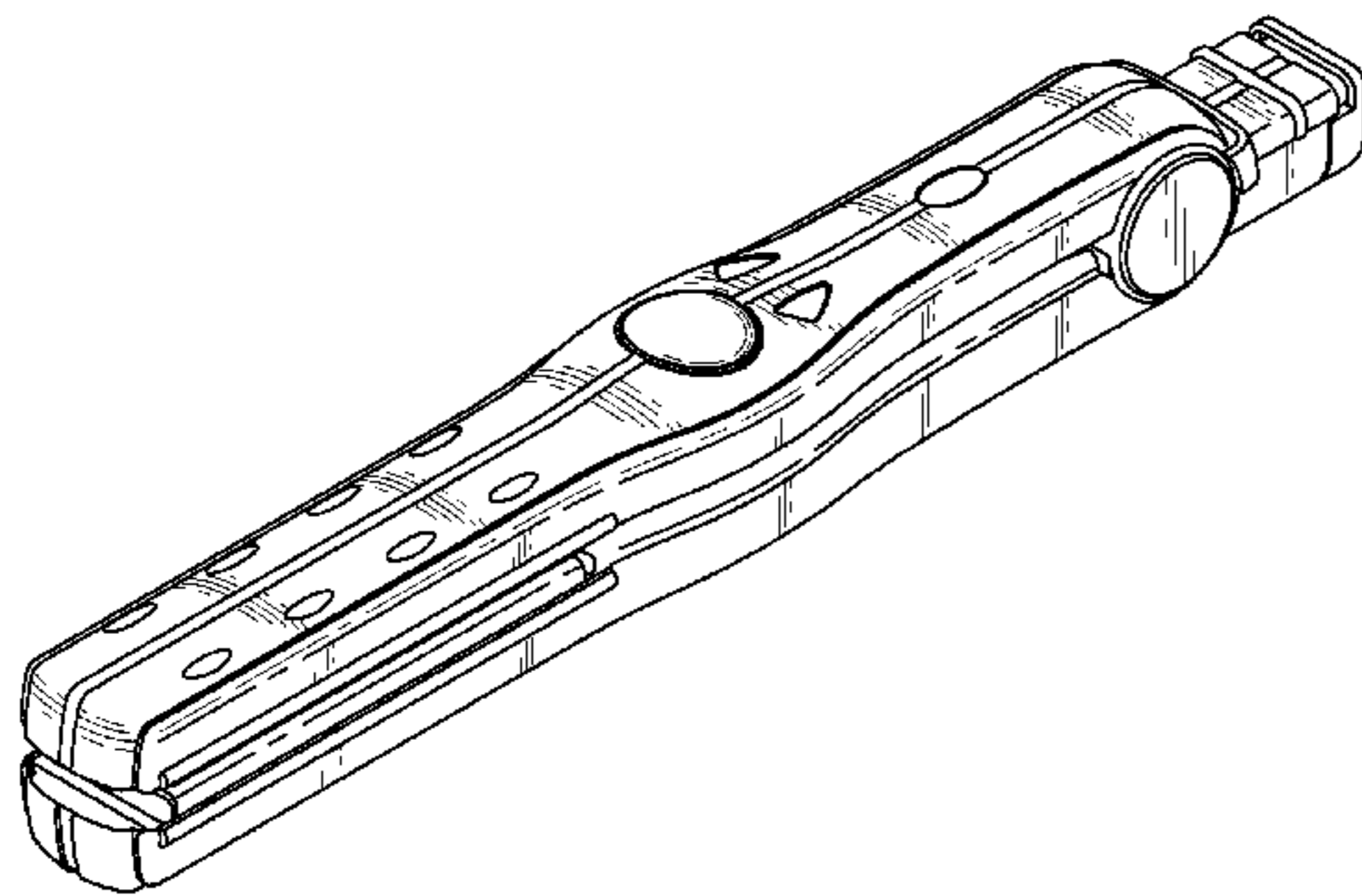
**U.S. PATENT DOCUMENTS**

The broken lines shown in the drawings illustrate portions of the hair straightener and form no part of the claimed design.

D534,684 S \* 1/2007 Ceva ..... D28/35

D543,314 S \* 5/2007 Morgandi ..... D28/35

**1 Claim, 2 Drawing Sheets**



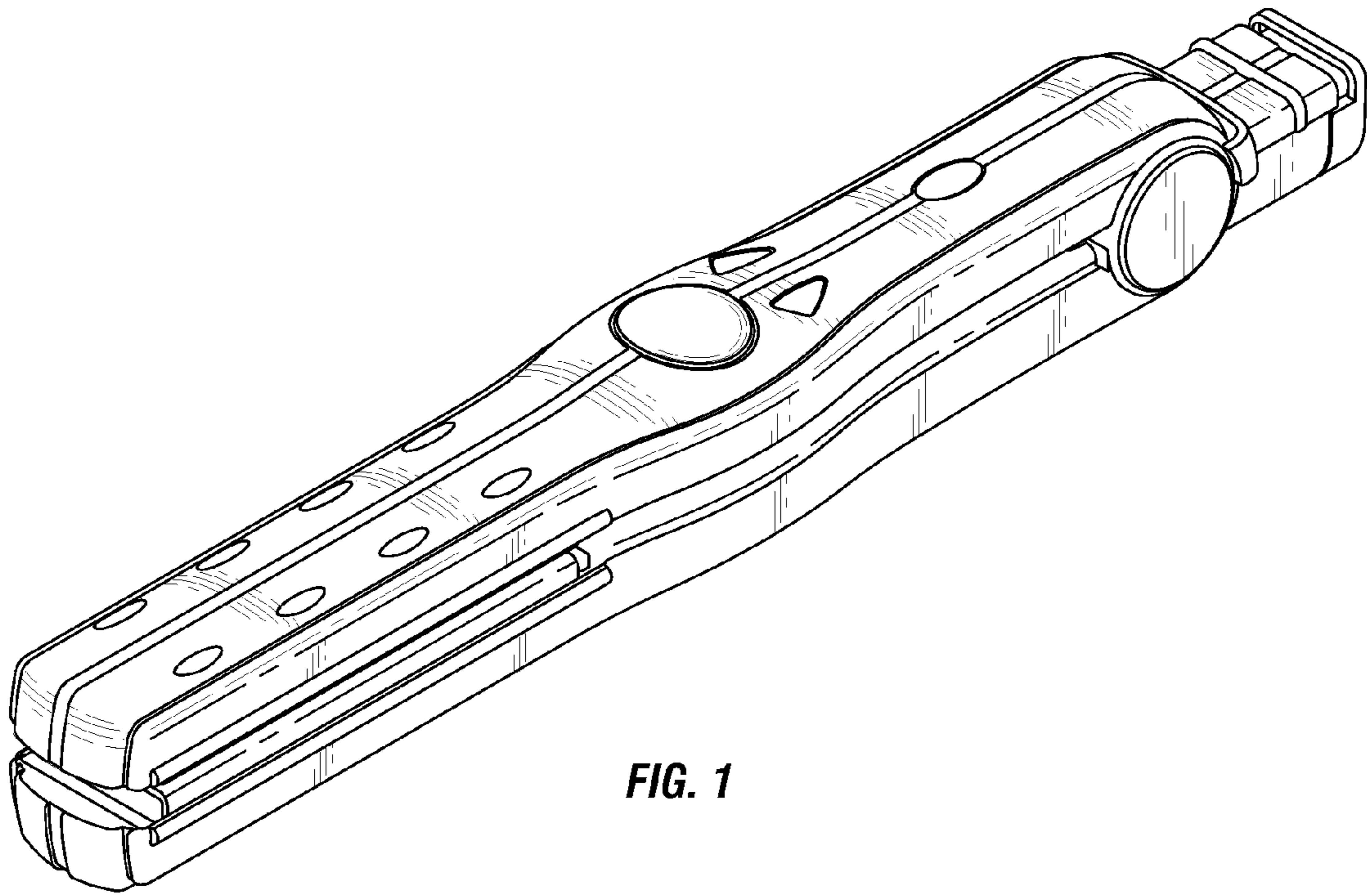


FIG. 1

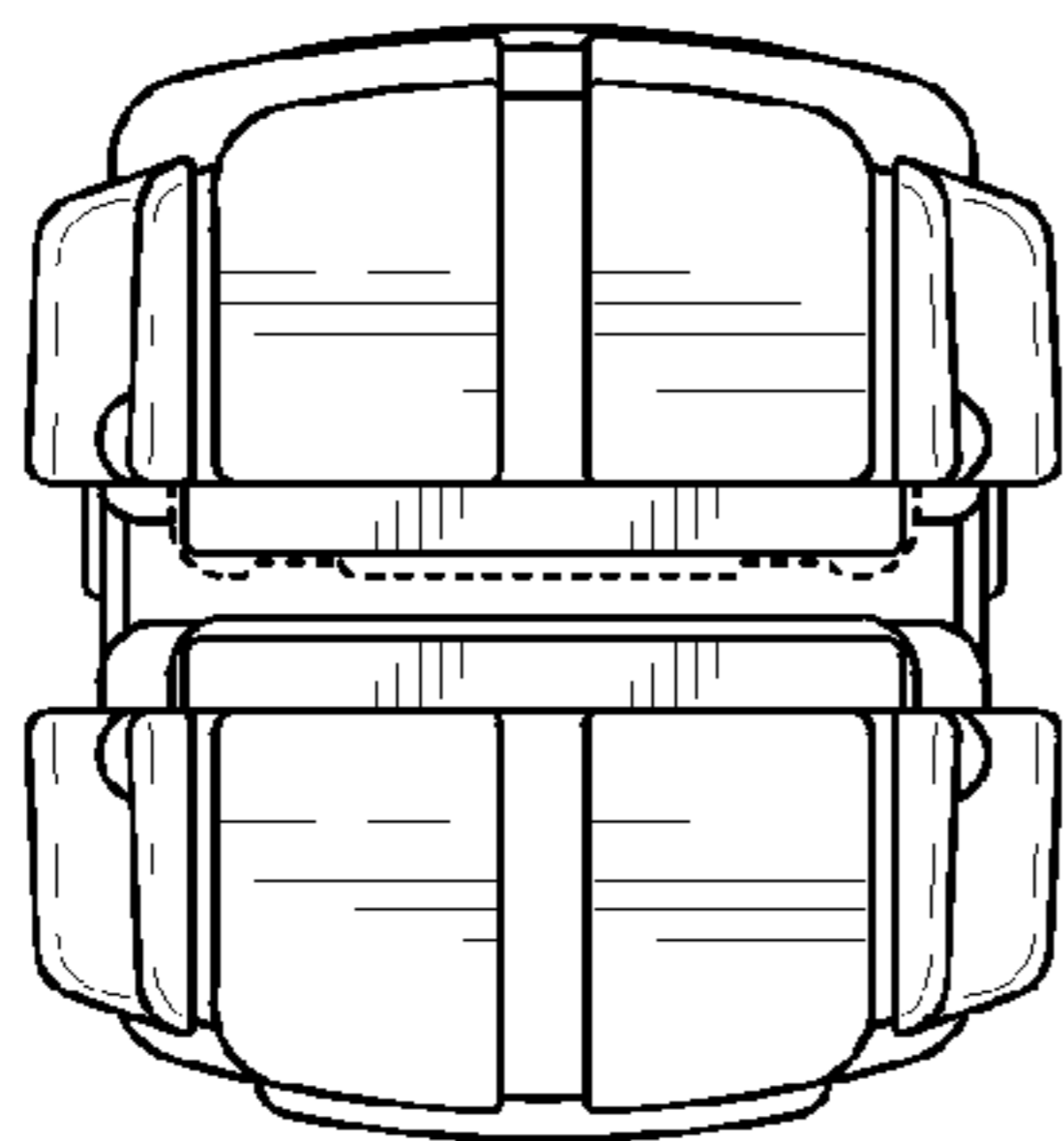


FIG. 2

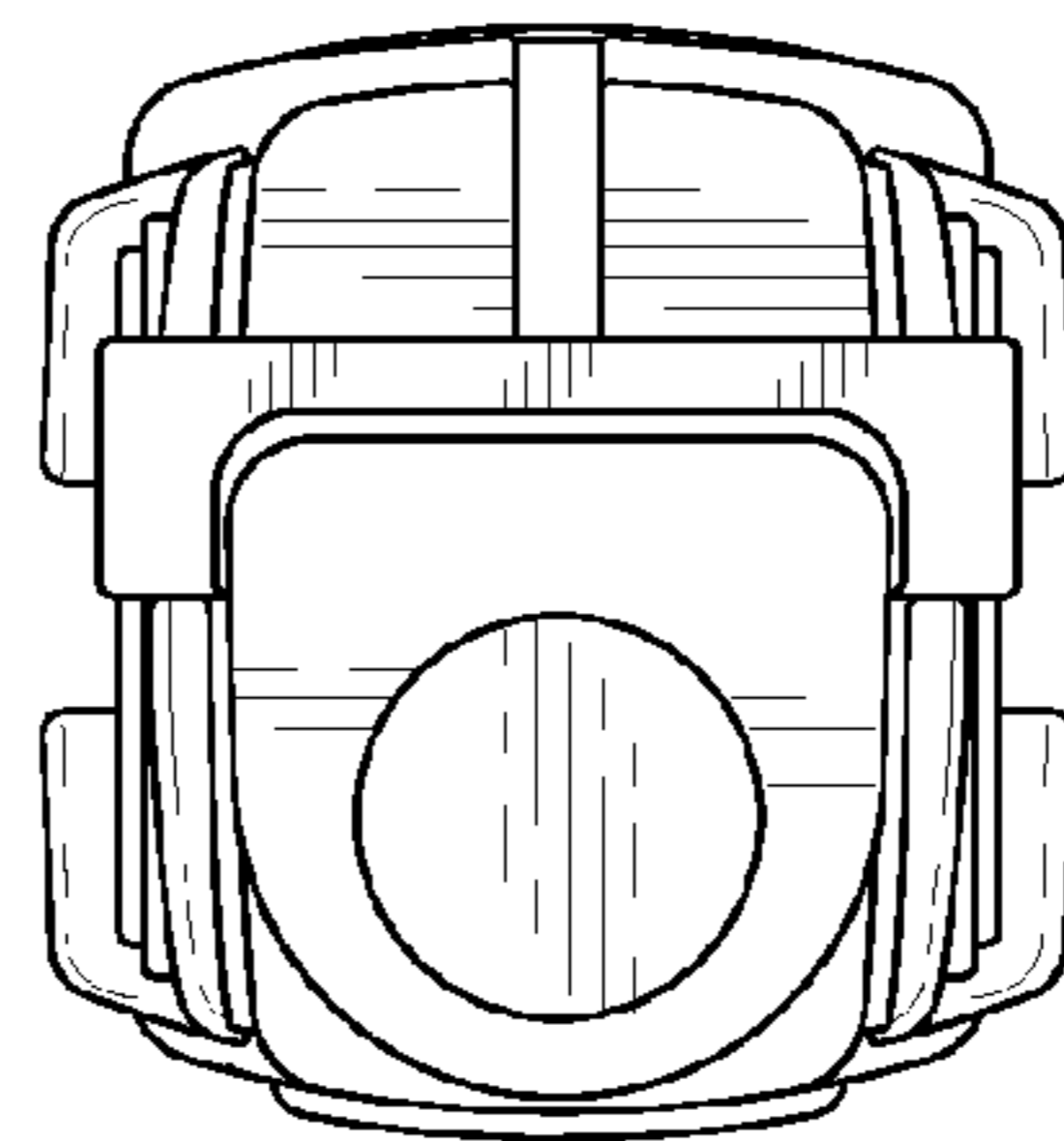


FIG. 3

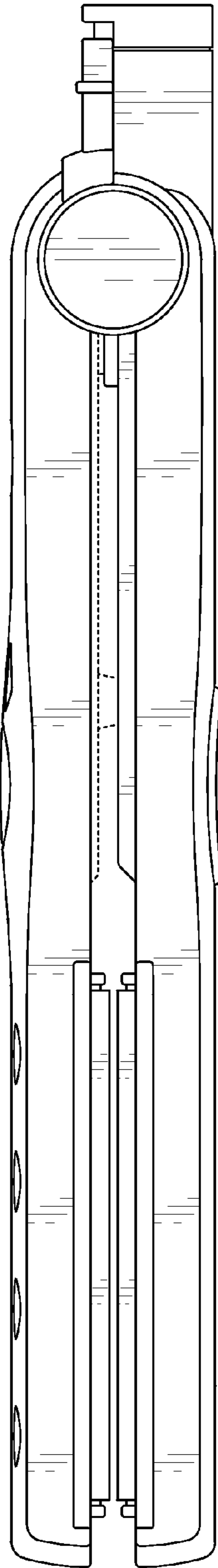


FIG. 4

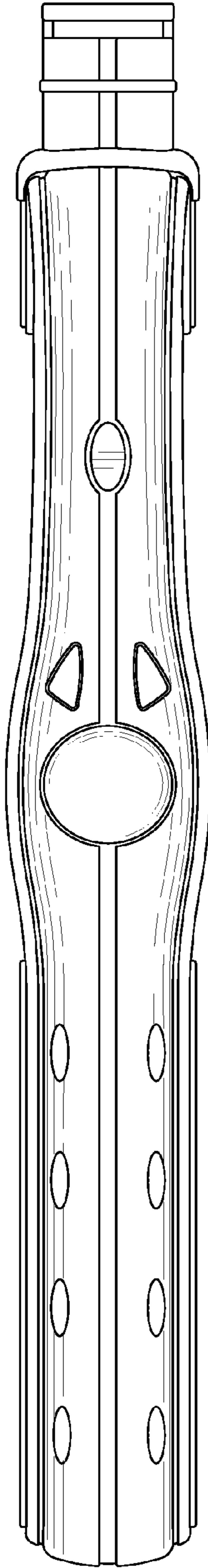


FIG. 5

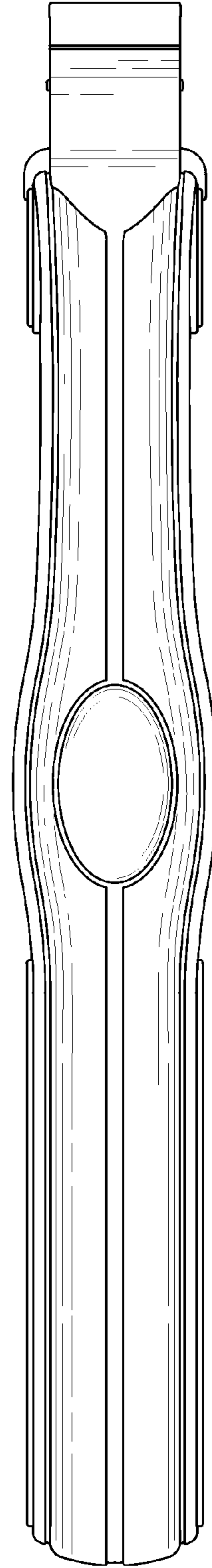


FIG. 6