

US00D605355S

(12) **United States Design Patent**  
**Keong et al.**

(10) **Patent No.:** **US D605,355 S**

(45) **Date of Patent:** **\*\* Dec. 1, 2009**

(54) **HAIR DRYER**

(75) Inventors: **Wai Ho Michael Keong**, New Territories (HK); **King Kuen Yu**, New Territories (HK)

(73) Assignee: **Kenford Industrial Co. Ltd.**, New Territories (HK)

(\*\*) Term: **14 Years**

(21) Appl. No.: **29/331,194**

(22) Filed: **Jan. 21, 2009**

(30) **Foreign Application Priority Data**

Jul. 24, 2008 (CN) ..... 2008 3 0211330

(51) **LOC (9) Cl.** ..... **28-03**

(52) **U.S. Cl.** ..... **D28/13**

(58) **Field of Classification Search** ..... D28/12-19;  
392/380-385; 219/222

See application file for complete search history.

(56) **References Cited**

**U.S. PATENT DOCUMENTS**

- D391,017 S \* 2/1998 Gudefin ..... D28/13
- D412,219 S \* 7/1999 Goetschi ..... D28/13
- D425,663 S \* 5/2000 Greubel et al. .... D28/13
- D432,716 S \* 10/2000 Goetschi ..... D28/13
- D438,340 S \* 2/2001 Gudefin ..... D28/13

- D456,943 S \* 5/2002 Micinilio et al. .... D28/13
- D469,574 S \* 1/2003 Lai ..... D28/13
- D473,341 S \* 4/2003 Bokelman-Dumas ..... D28/13
- D541,982 S \* 5/2007 Choi ..... D28/13
- D544,147 S \* 6/2007 Baudouin ..... D28/13

\* cited by examiner

*Primary Examiner*—Janice E Seeger

*Assistant Examiner*—Zenia I Bennett

(74) *Attorney, Agent, or Firm*—Intellectual Property Law Group LLP; Juneko Jackson; Otto O. Lee

(57) **CLAIM**

The ornamental design for a hair dryer, as shown and described.

**DESCRIPTION**

FIG. 1 is a perspective view of a hair dryer, embodying our new design;

FIG. 2 is a left side elevational view thereof;

FIG. 3 is a right side elevational view thereof;

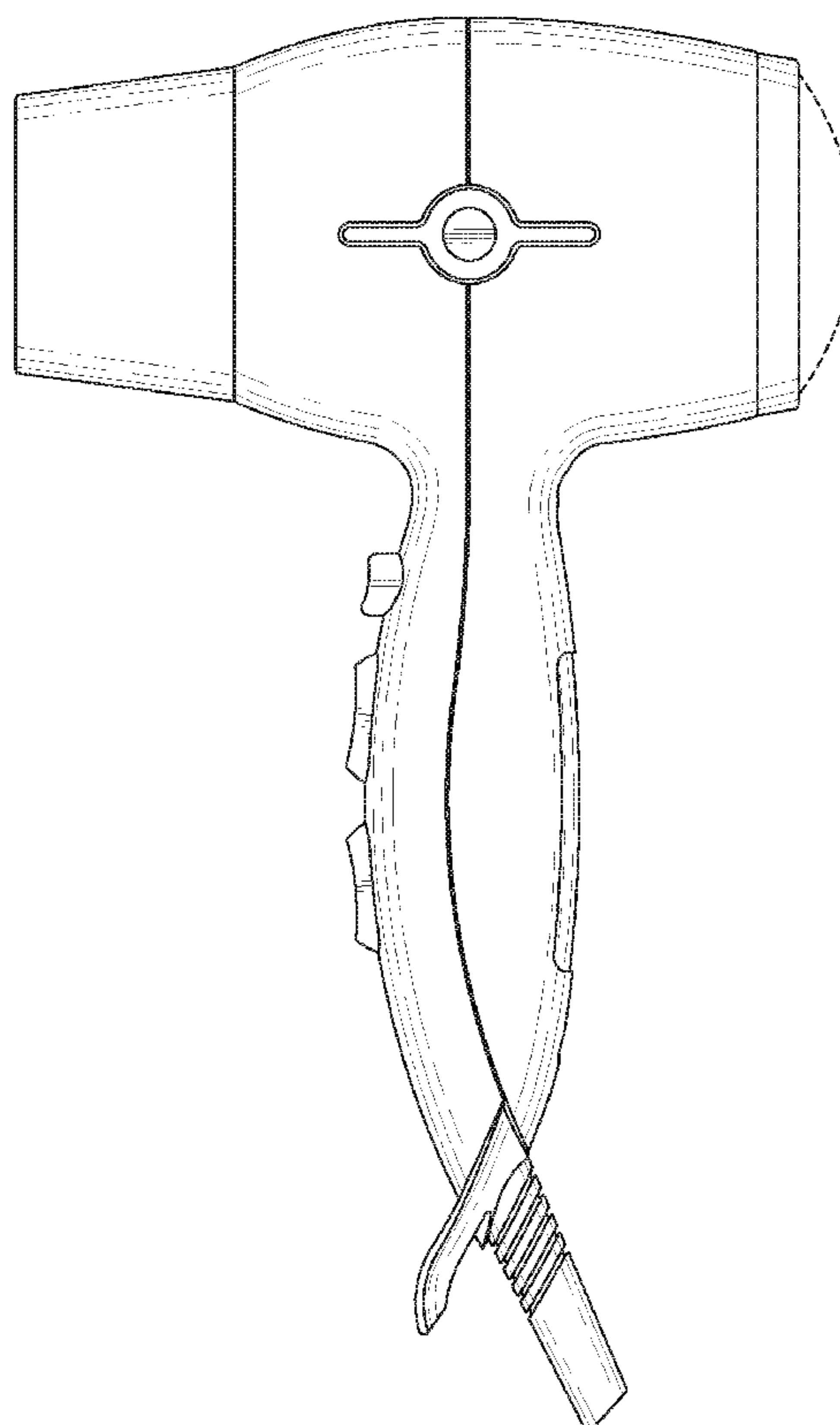
FIG. 4 is a front elevational view thereof; the rear elevational view being a mirror image thereof;

FIG. 5 is a top plan view thereof; and,

FIG. 6 is a bottom plan view thereof.

The broken lines are for environmental purposes only and form no part of the claimed design.

**1 Claim, 4 Drawing Sheets**



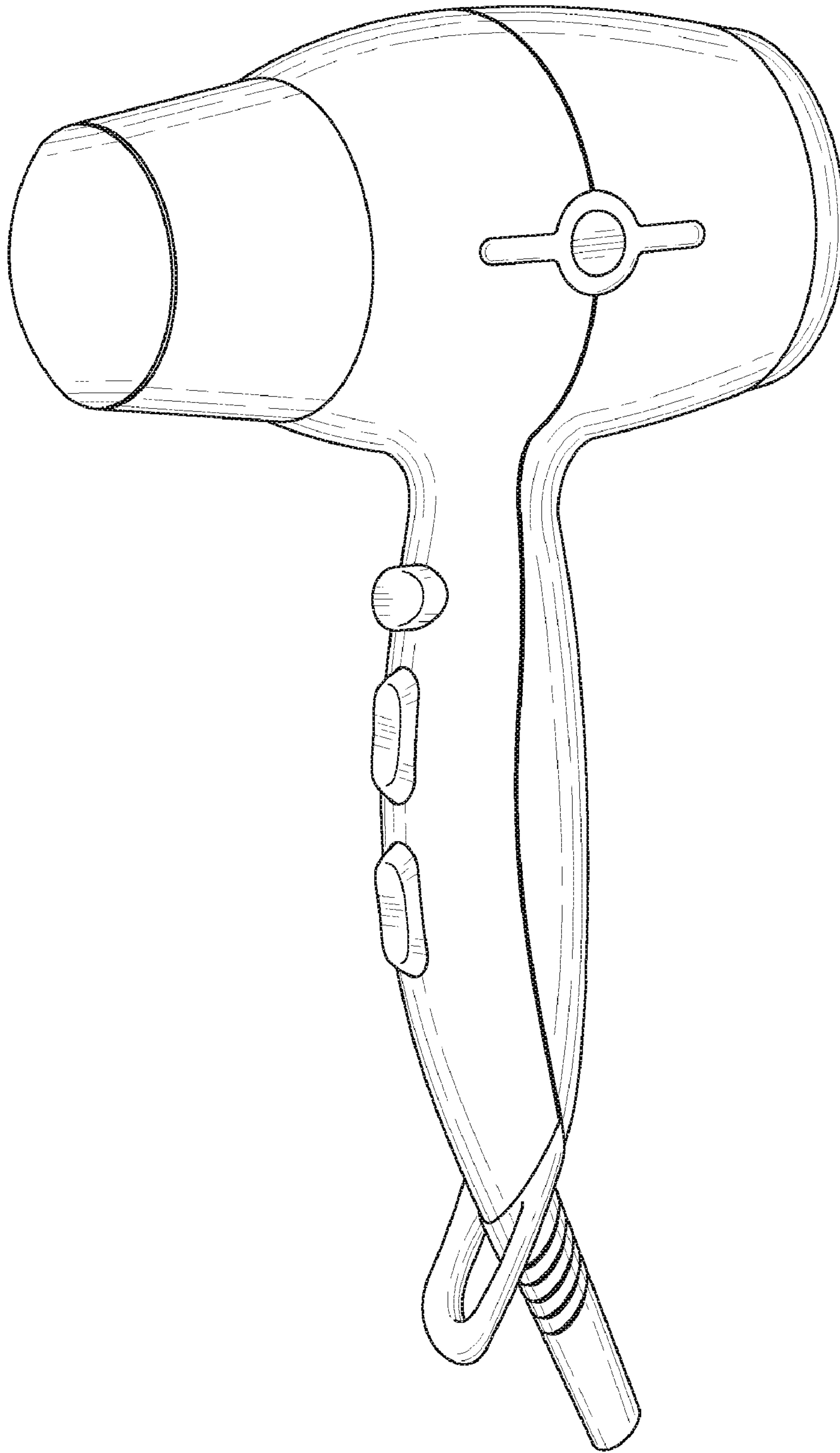


FIG. 1

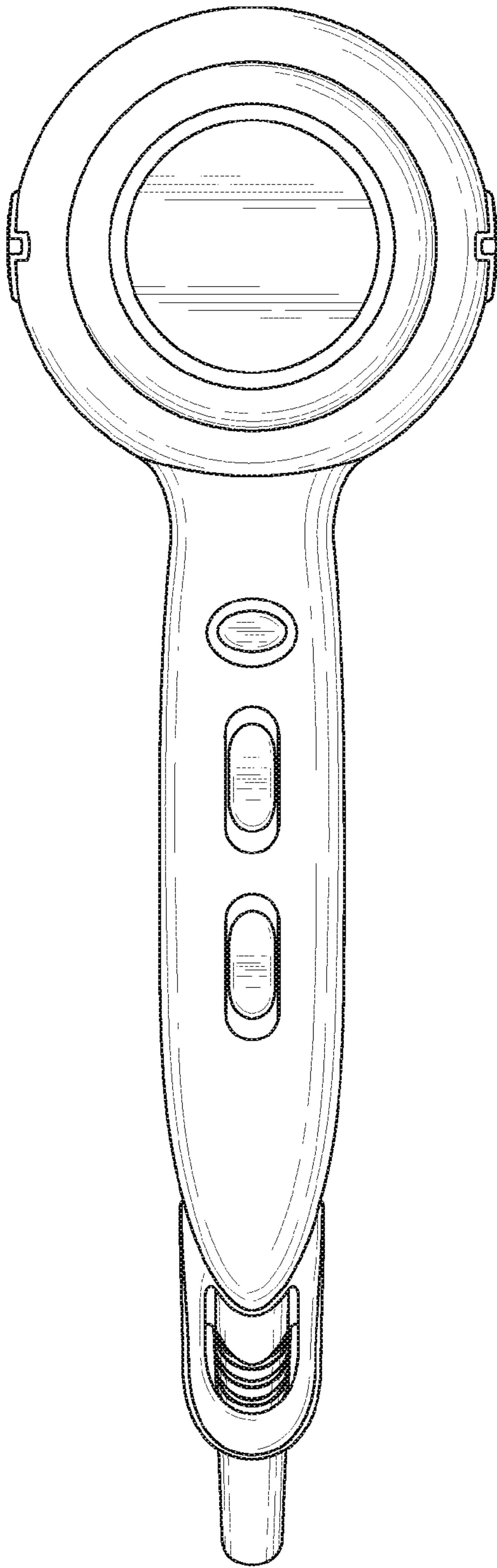


FIG. 2

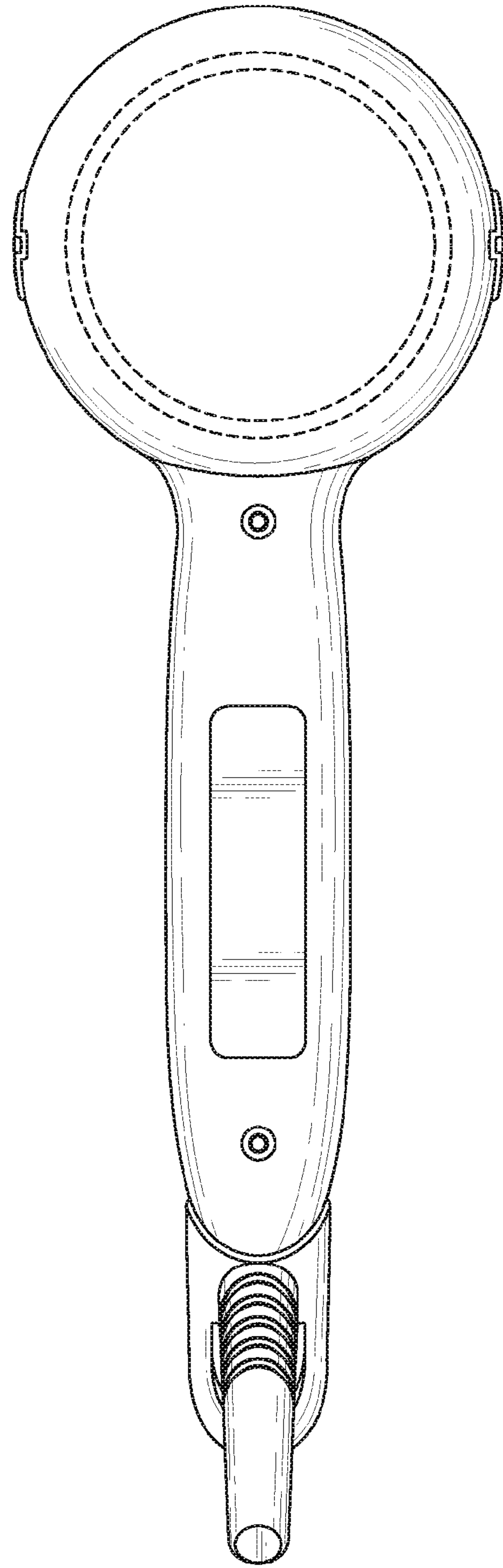


FIG. 3

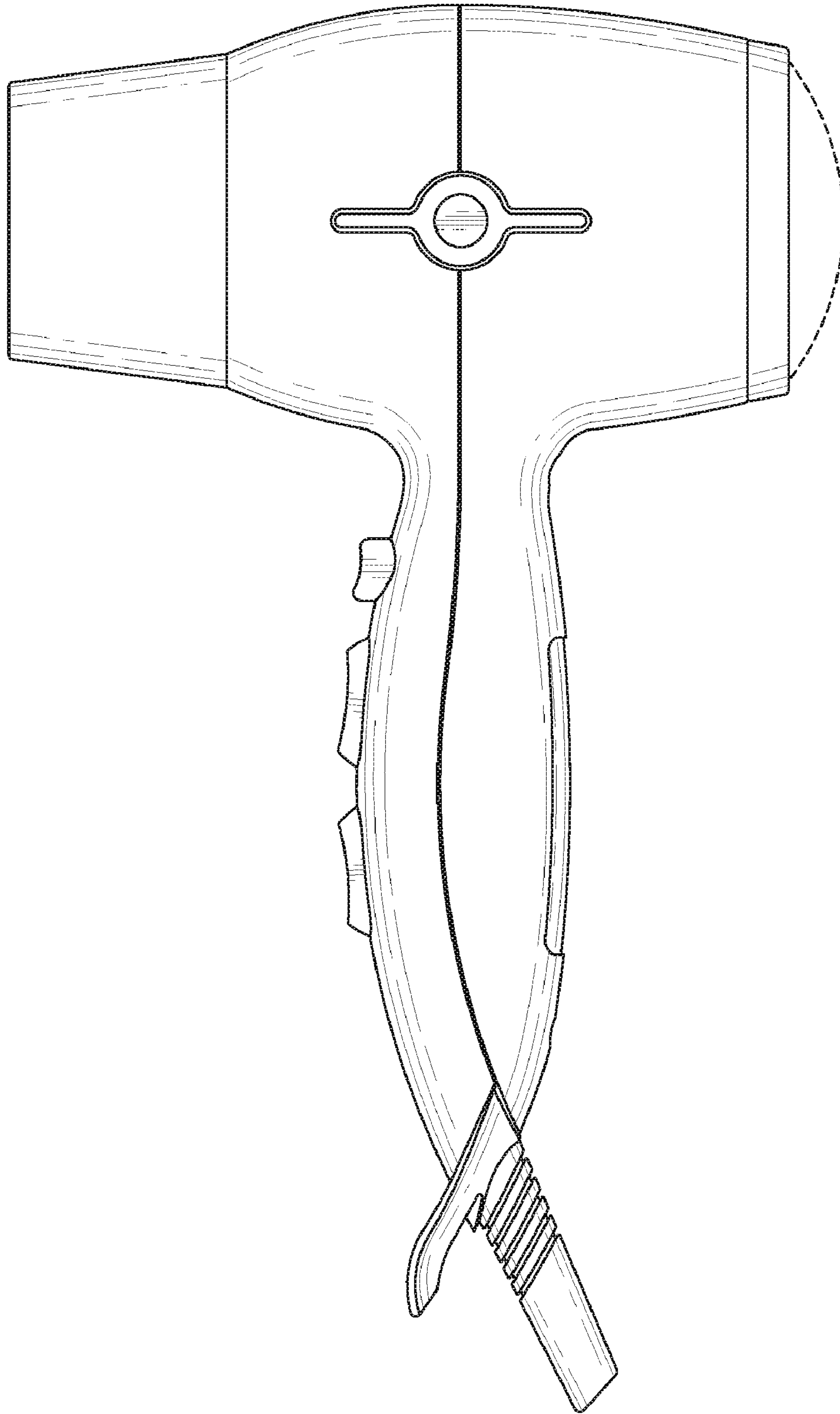
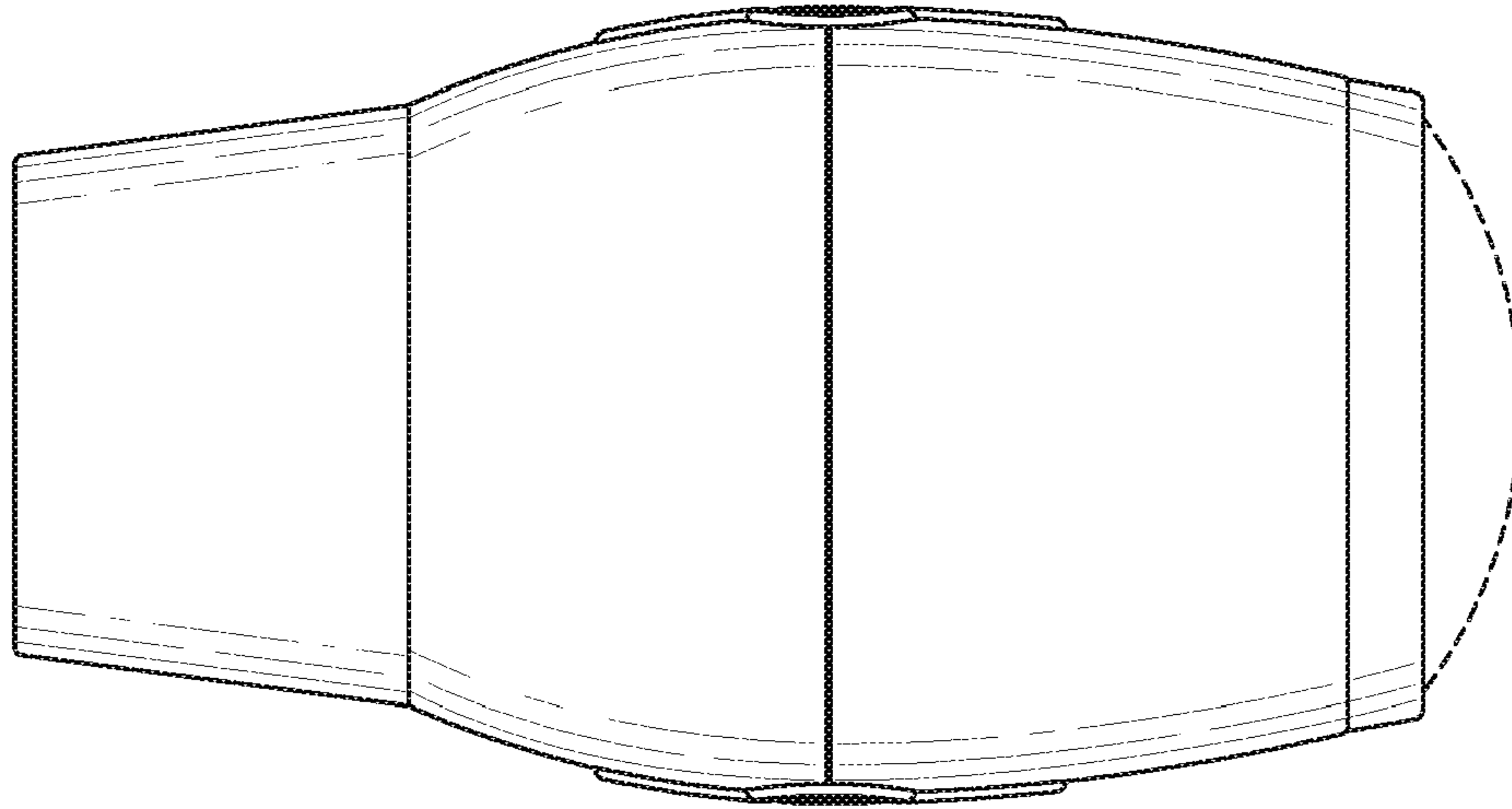
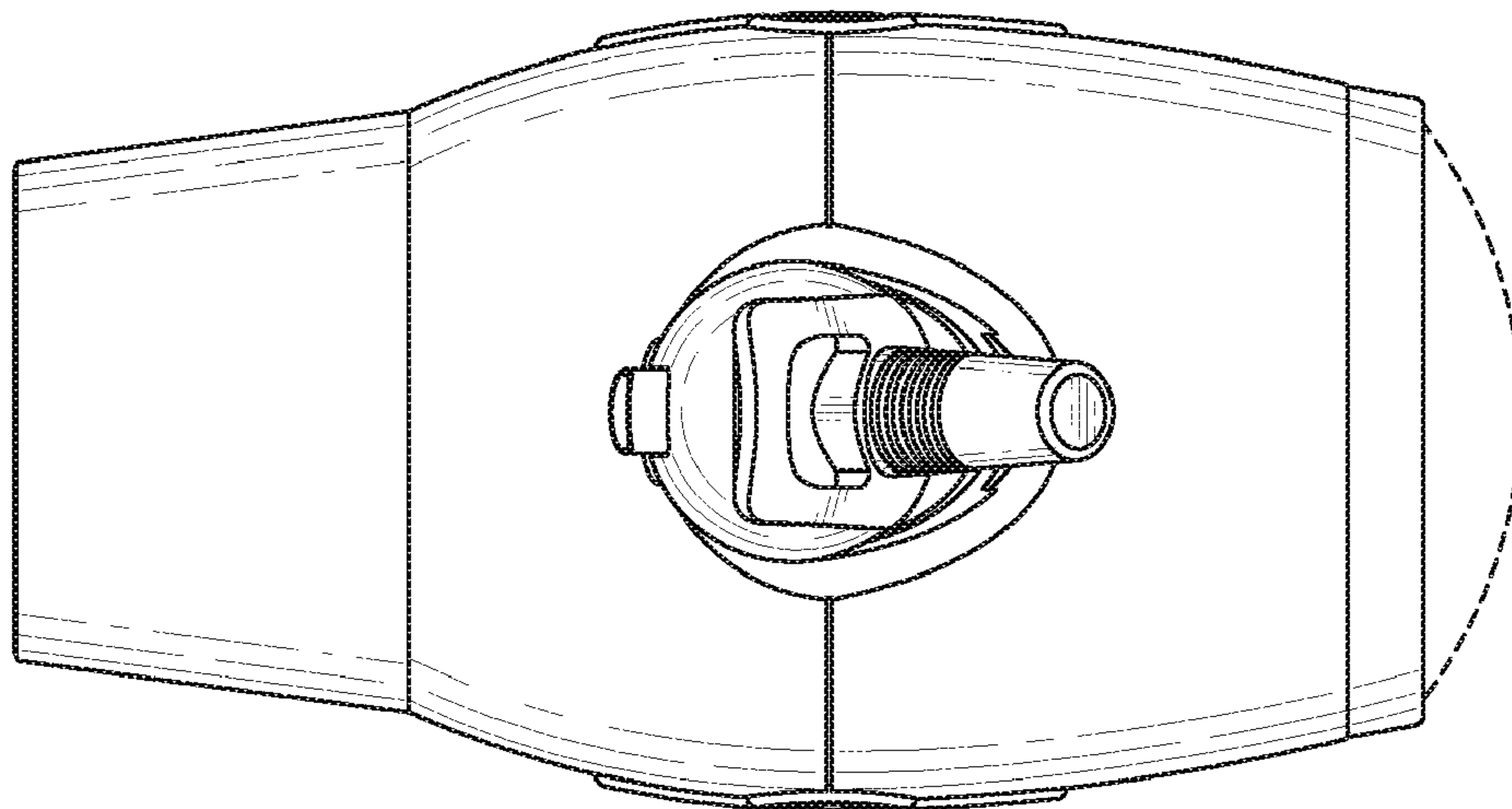


FIG. 4





*FIG. 5*



*FIG. 6*