

US00D605354S

(12) **United States Design Patent**
Keong

(10) **Patent No.:** **US D605,354 S**

(45) **Date of Patent:** **** Dec. 1, 2009**

(54) **HAIR DRYER**

(75) Inventor: **Wai Ho Michael Keong**, New Territories (HK)

(73) Assignee: **Kenford Industrial Co., Ltd.**, New Territories (HK)

(**) Term: **14 Years**

(21) Appl. No.: **29/331,193**

(22) Filed: **Jan. 21, 2009**

(30) **Foreign Application Priority Data**

Aug. 14, 2008 (CN) 2008 3 0137296

(51) **LOC (9) Cl.** **28-03**

(52) **U.S. Cl.** **D28/13**

(58) **Field of Classification Search** D28/12-19;
392/380-385; 219/222

See application file for complete search history.

(56) **References Cited**

U.S. PATENT DOCUMENTS

- D276,941 S * 12/1984 Stansbury, Jr. D28/13
- D280,338 S * 8/1985 Skarsten D8/29.1
- D425,243 S * 5/2000 Mattis D28/13
- D428,528 S * 7/2000 Deguines D28/13
- D429,028 S * 8/2000 Muller et al. D28/13
- D436,227 S * 1/2001 Smal et al. D28/13
- D445,216 S * 7/2001 Spagnolo D28/13

- D468,862 S * 1/2003 Barski D28/13
- D472,345 S * 3/2003 Altamore et al. D28/13
- D525,389 S * 7/2006 Yu D28/13
- D559,443 S * 1/2008 Smith et al. D28/13
- D580,594 S * 11/2008 Leung D28/13

* cited by examiner

Primary Examiner—Janice E Seeger

Assistant Examiner—Zenia I Bennett

(74) *Attorney, Agent, or Firm*—Intellectual Property Law Group LLP; Juneko Jackson; Otto O. Lee

(57) **CLAIM**

The ornamental design for a hair dryer, as shown and described.

DESCRIPTION

FIG. 1 is a perspective view of a hair dryer, embodying my new design;

FIG. 2 is a left side elevational view thereof;

FIG. 3 is a right side elevational view thereof;

FIG. 4 is a front elevational view thereof;

FIG. 5 is a rear elevational view thereof;

FIG. 6 is a top plan view thereof; and,

FIG. 7 is a bottom plan view thereof.

The broken lines are for environmental purposes only and form no part of the claimed design.

1 Claim, 5 Drawing Sheets

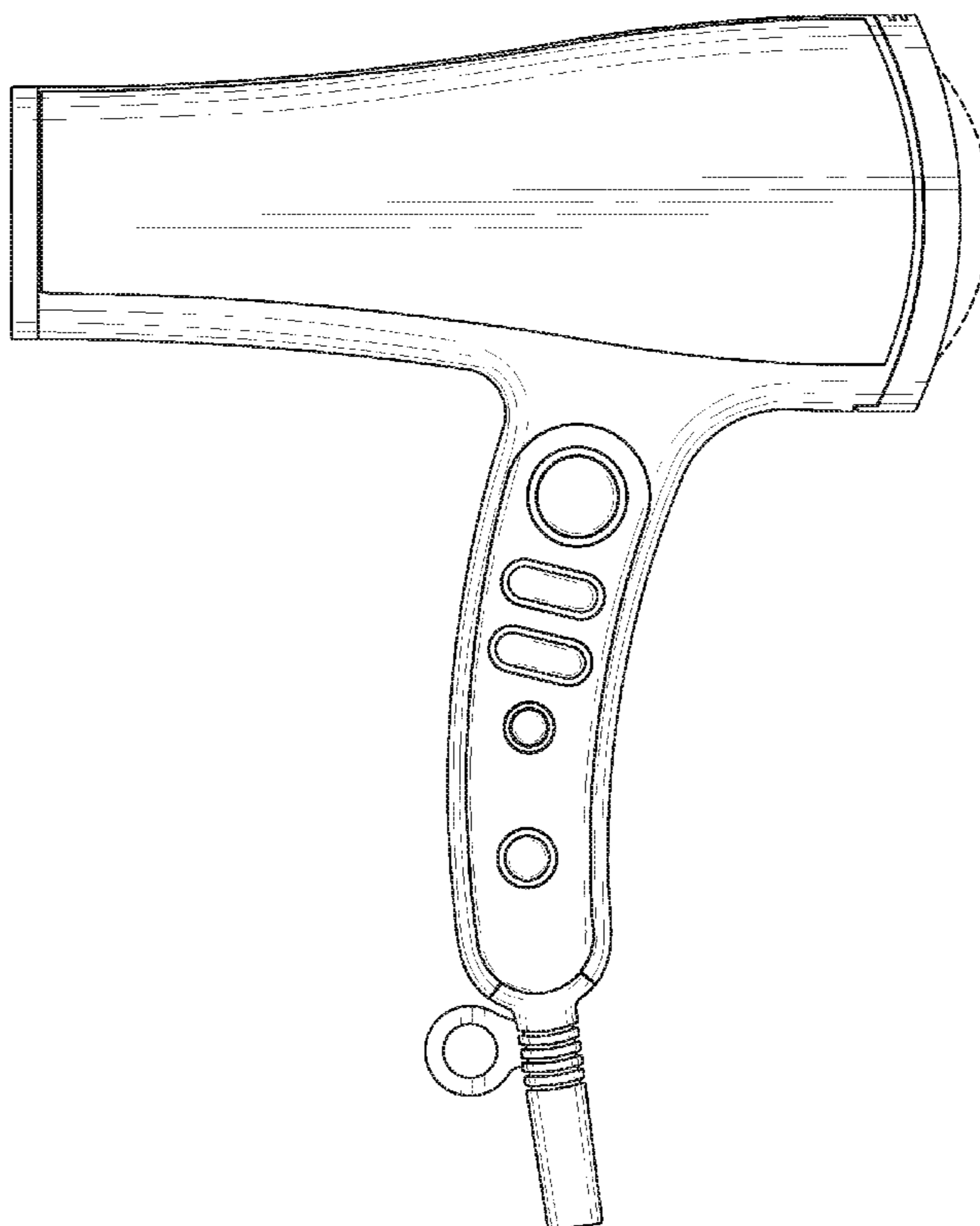




FIG. 1

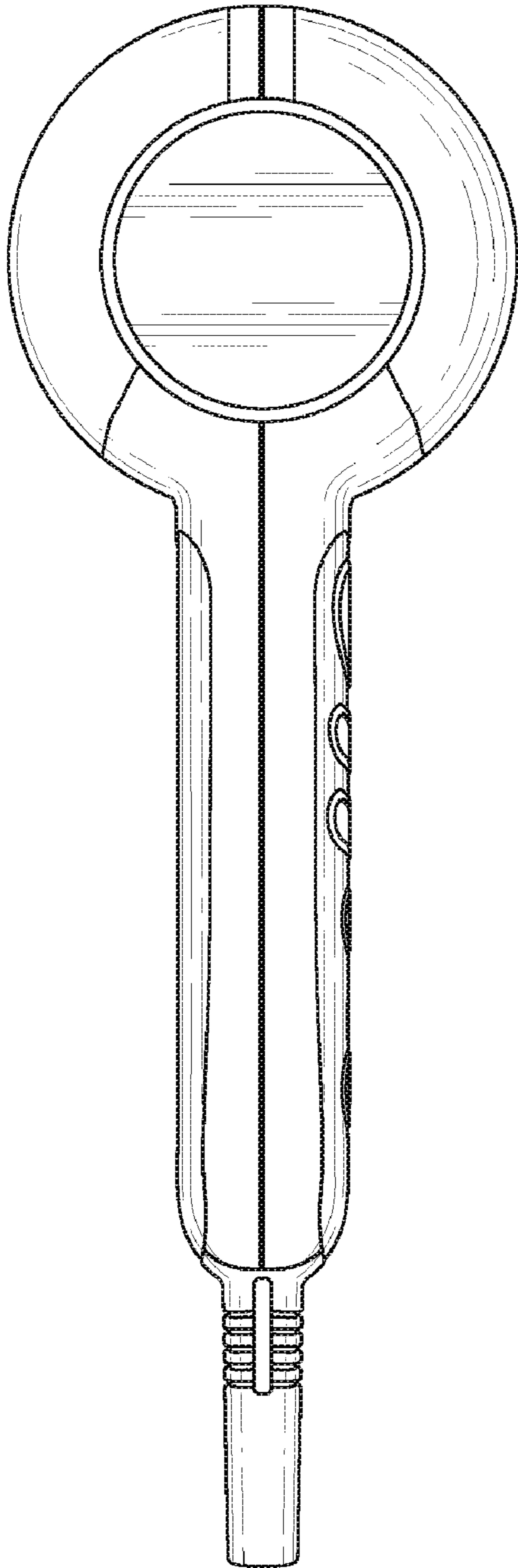


FIG. 2

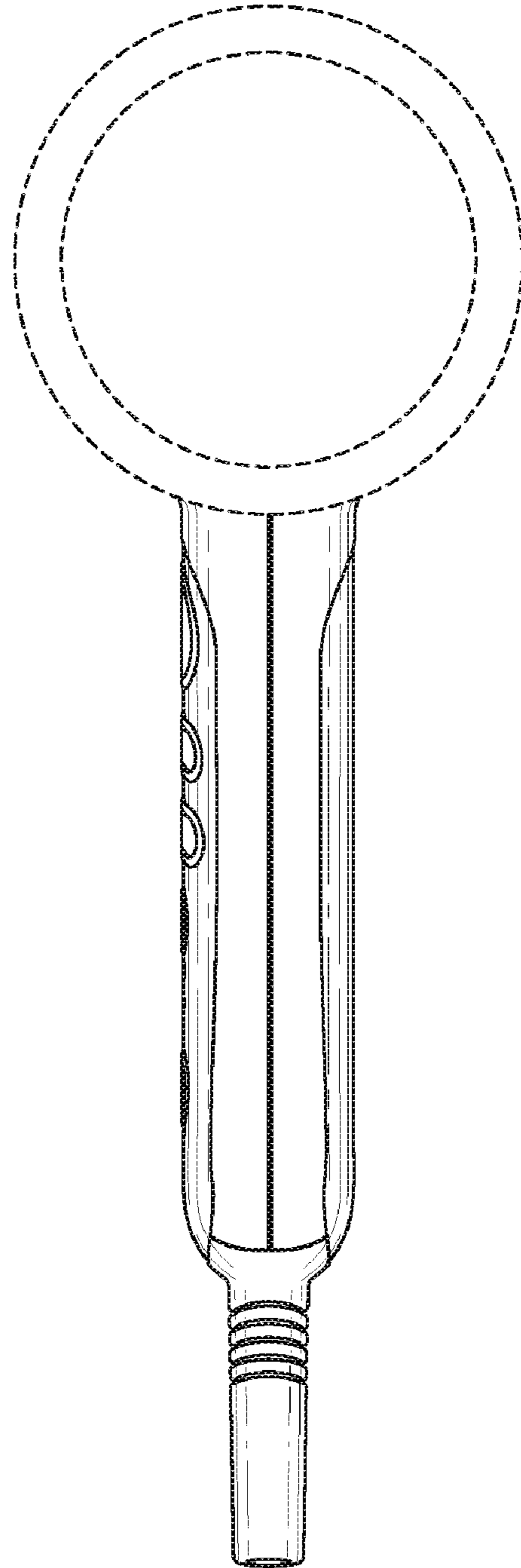


FIG. 3

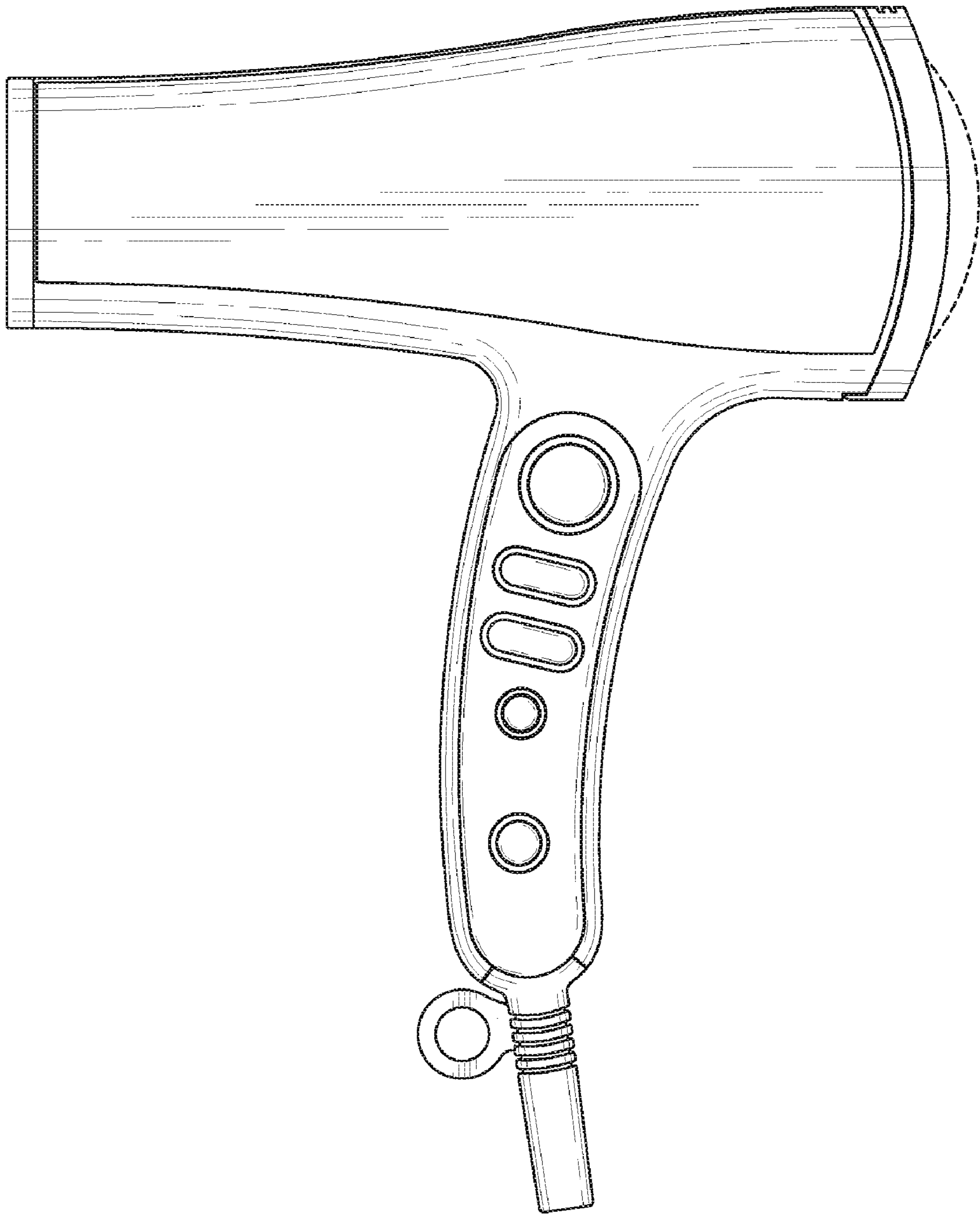


FIG. 4

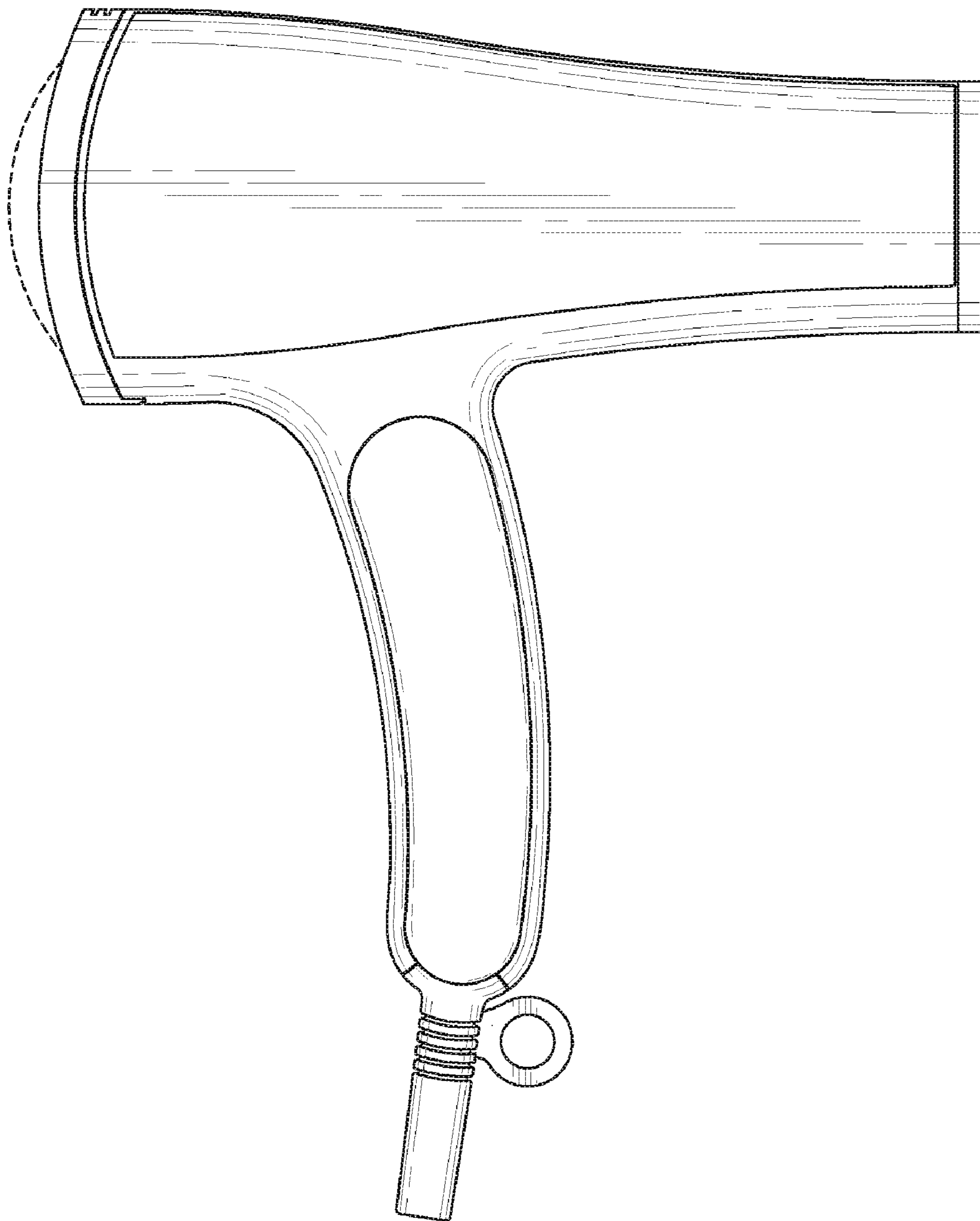


FIG. 5

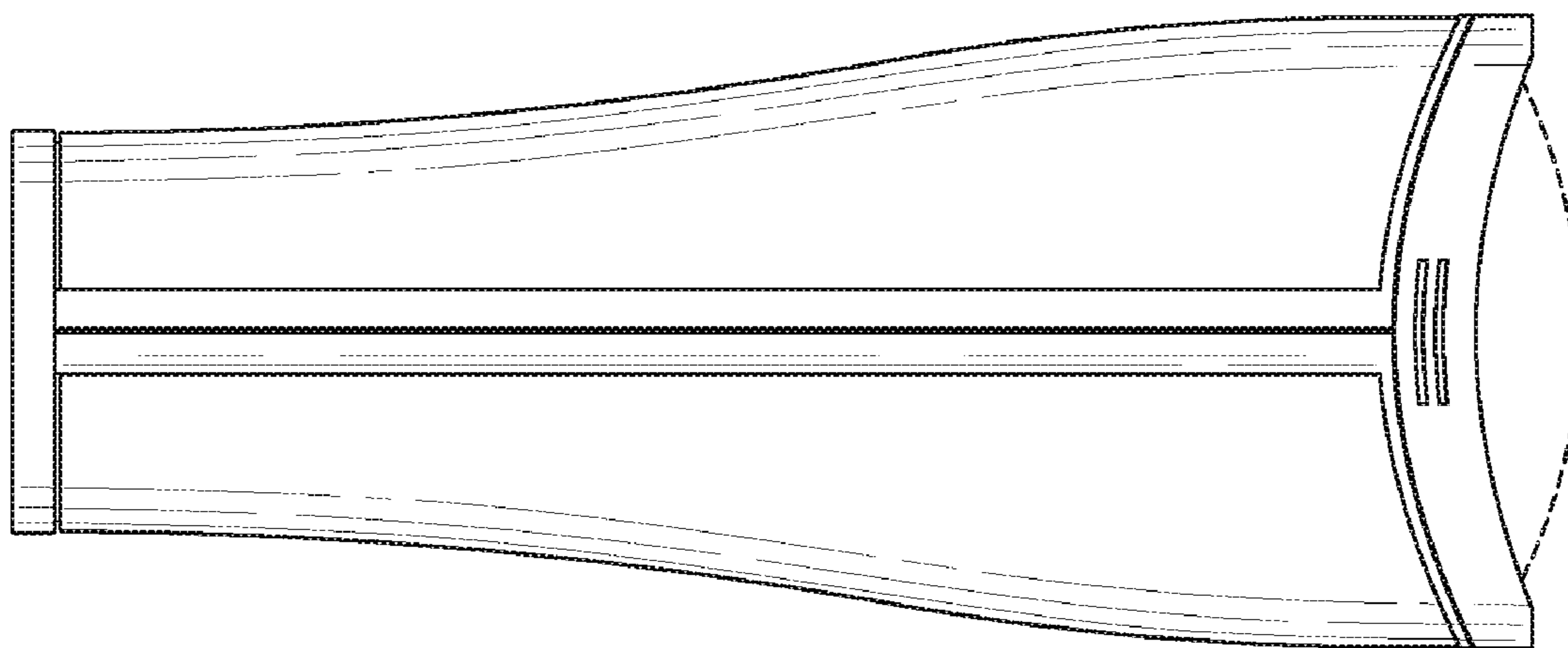


FIG. 6

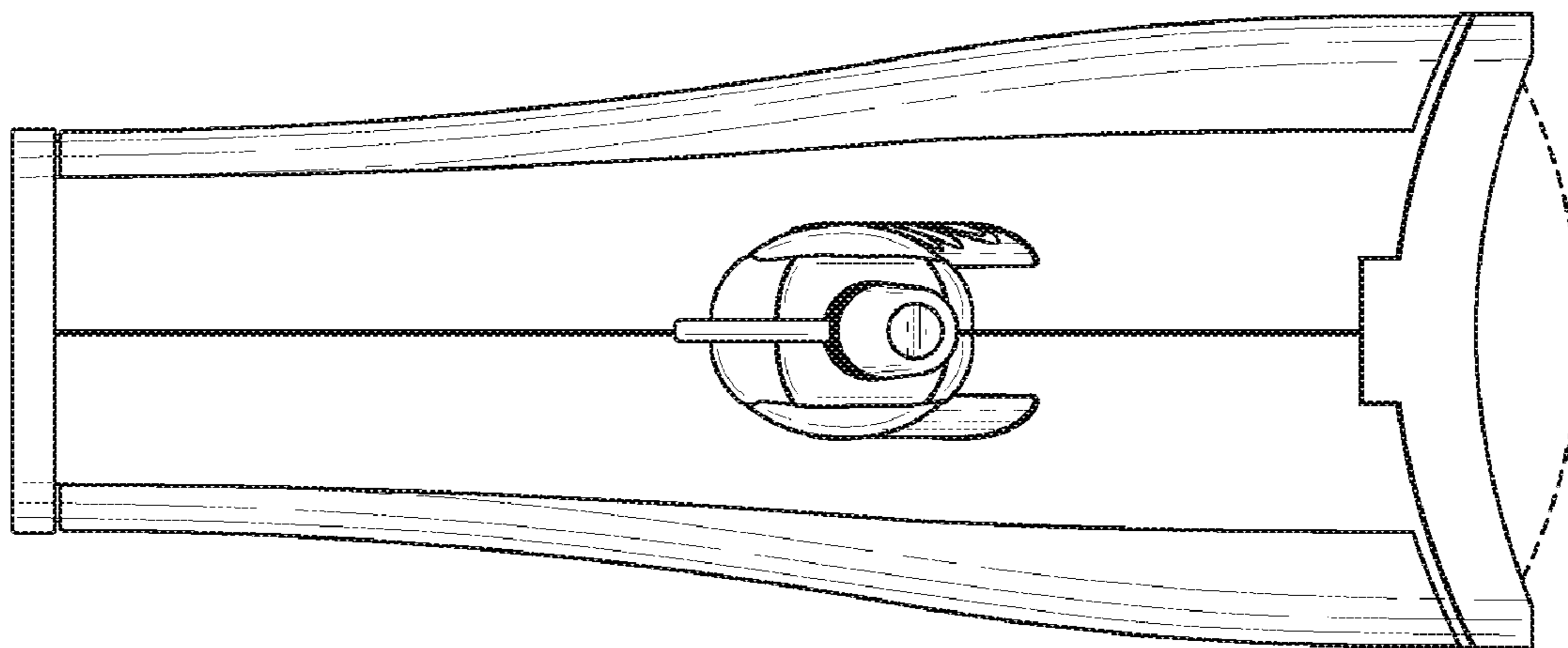


FIG. 7