



US00D605353S

(12) **United States Design Patent**
Lee et al.

(10) **Patent No.:** **US D605,353 S**
(45) **Date of Patent:** **** Dec. 1, 2009**

(54) **COSMETIC STATION**

(75) Inventors: **Judy Lee**, Taipei (TW); **Tony Ho**, Taipei (TW)

(73) Assignee: **Test Rite Products Corp.**, Ontario, CA (US)

(**) Term: **14 Years**

(21) Appl. No.: **29/332,229**

(22) Filed: **Feb. 11, 2009**

(51) **LOC (9) Cl.** **28-03**

(52) **U.S. Cl.** **D28/9; D28/73; D6/460**

(58) **Field of Classification Search** D28/73,
D28/9-10; 108/92; D6/460, 464, 474; 248/129,
248/159, 349.1; 211/128.1, 133.1, 133.4,
211/205

See application file for complete search history.

(56) **References Cited**

U.S. PATENT DOCUMENTS

D218,865 S *	9/1970	Zolkware	D6/460
4,678,089 A *	7/1987	Lang	211/133.4
D292,953 S	12/1987	Cave		
D297,191 S *	8/1988	Frieden, Jr.	D6/461
D308,921 S	7/1990	Keller		
D309,388 S	7/1990	Kee		
D319,547 S	9/1991	Kee		
D322,522 S	12/1991	Ferris		
D345,871 S	4/1994	Anderson		
D373,912 S	9/1996	Roig et al.		
D395,560 S	6/1998	Powell		
5,819,960 A *	10/1998	Bonazza	D28/73
D447,889 S *	9/2001	Finlay	D6/474
D482,212 S	11/2003	Nakaoka		

6,688,239 B1 *	2/2004	Pettini et al.	108/92
D502,786 S *	3/2005	Cheung	D28/73
7,159,728 B2 *	1/2007	Smith	D28/10
D549,985 S	9/2007	Carroll		
7,314,203 B2	1/2008	Yue		

* cited by examiner

Primary Examiner—Jennifer Rivard

(74) *Attorney, Agent, or Firm*—Tsircou Law, P.C.

(57) **CLAIM**

We claim the ornamental design for a cosmetic station, as shown and described.

DESCRIPTION

FIG. 1 is a front perspective view of a cosmetic station in accordance with the new design.

FIG. 2 is a front perspective view of the cosmetic station of FIG. 1, showing exemplary items in phantom.

FIG. 3 is a back elevational view of the cosmetic station of FIG. 1.

FIG. 4 is a front elevational view of the cosmetic station of FIG. 1.

FIG. 5 is a right side elevational view of the cosmetic station of FIG. 1.

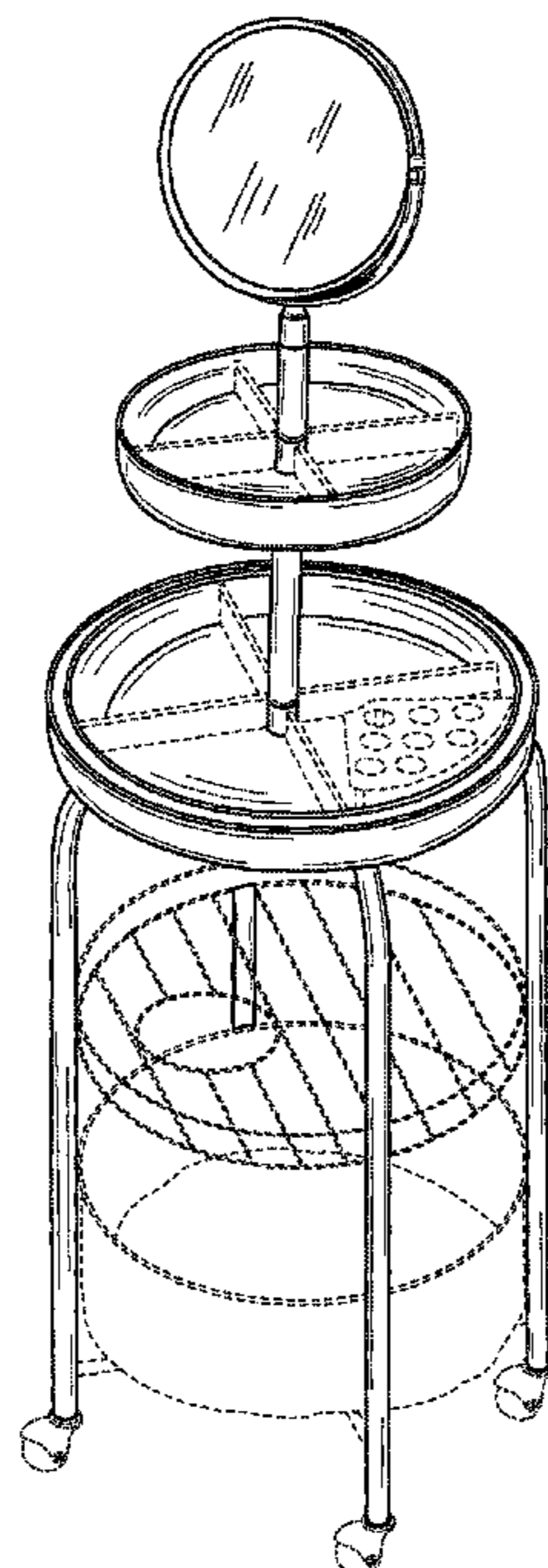
FIG. 6 is a left side elevational view of the cosmetic station of FIG. 1.

FIG. 7 is a top view of the cosmetic station of FIG. 1; and,

FIG. 8 is a bottom view of the cosmetic station of FIG. 1.

The dashed lines depict environmental aspects and form no part of the claimed design.

1 Claim, 4 Drawing Sheets



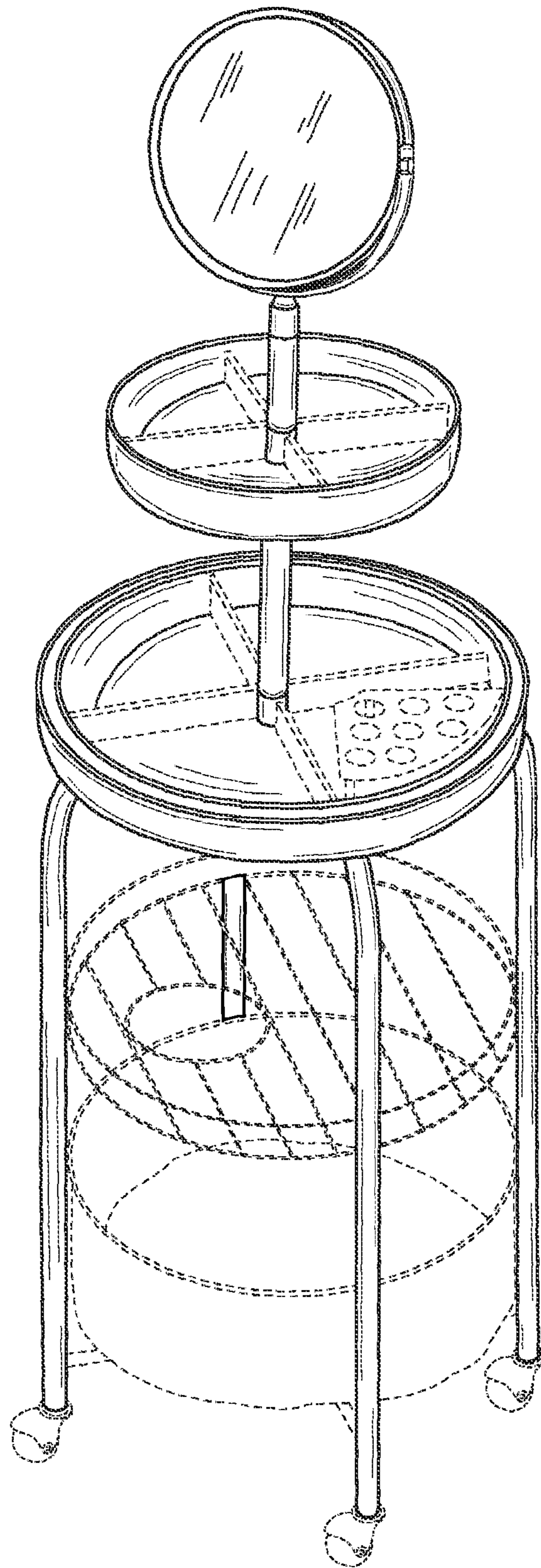


FIG. 1

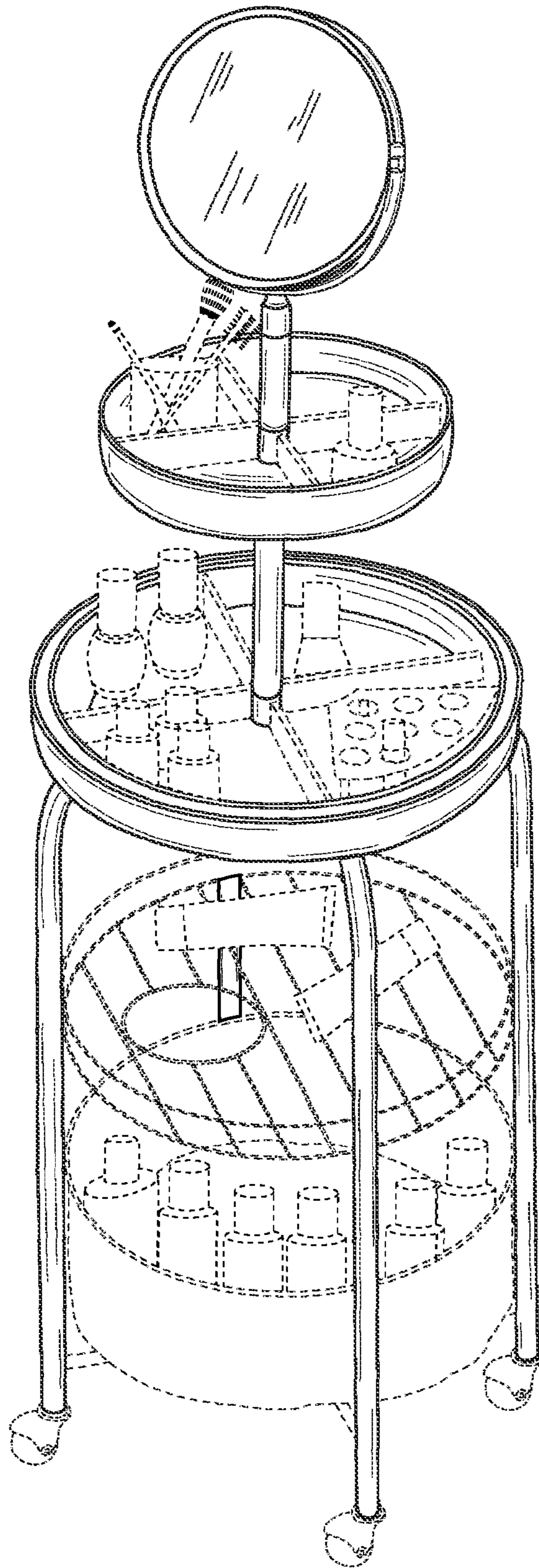


FIG. 2

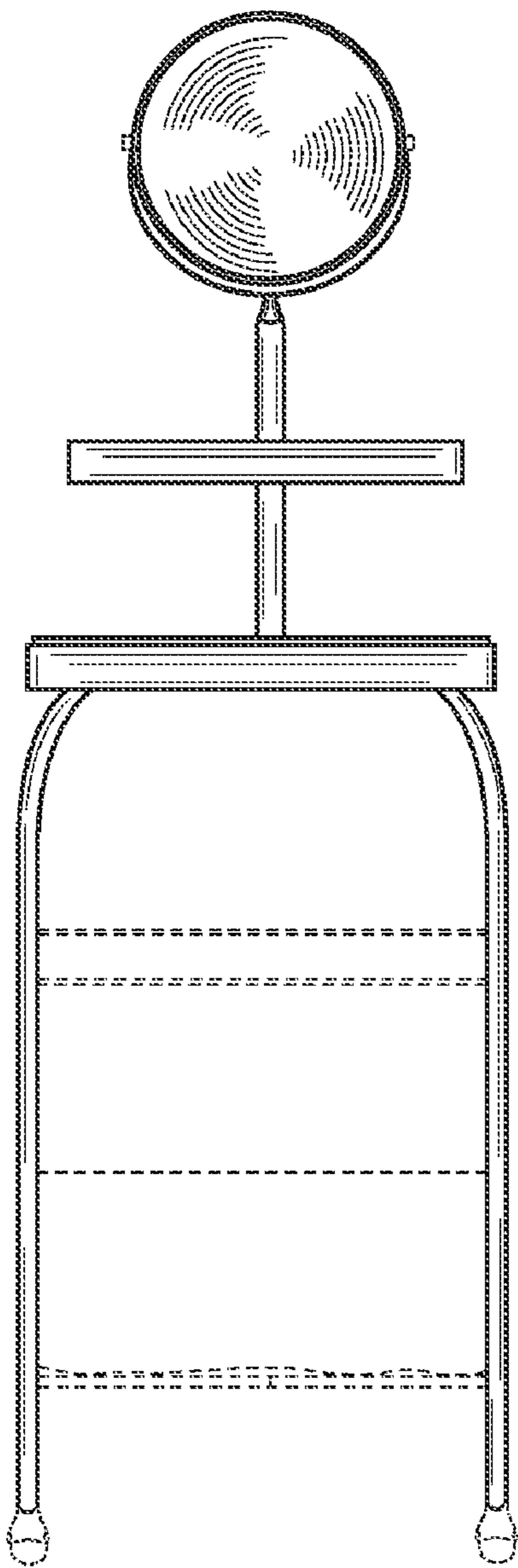


FIG. 3

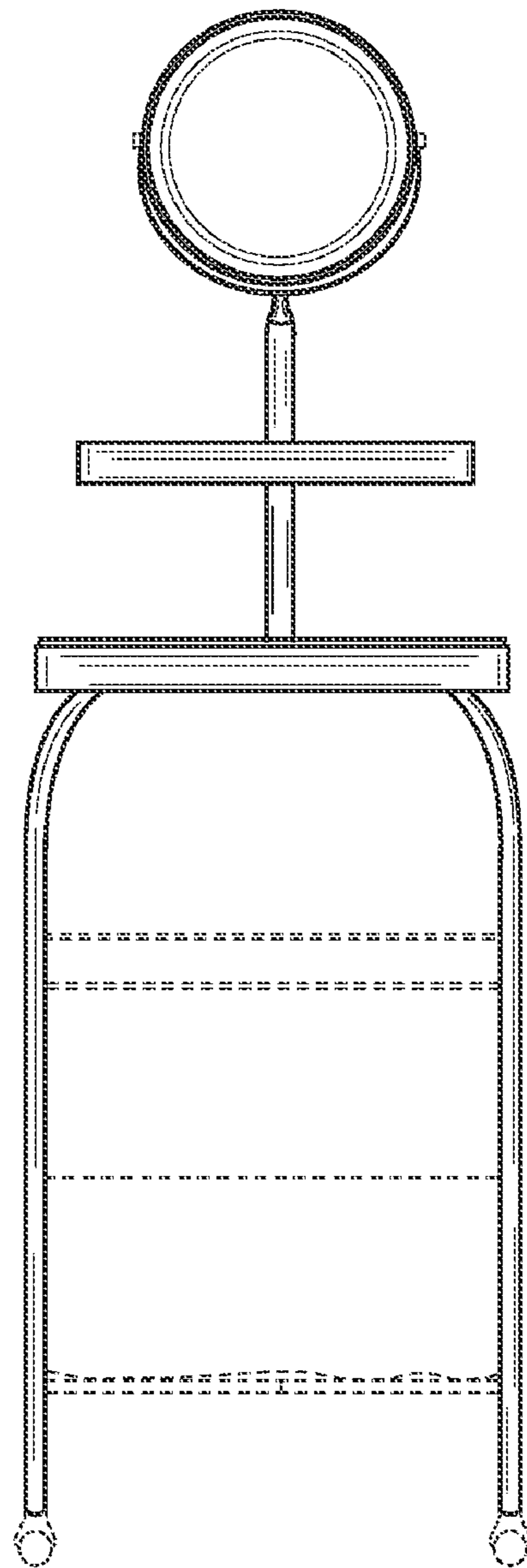


FIG. 4

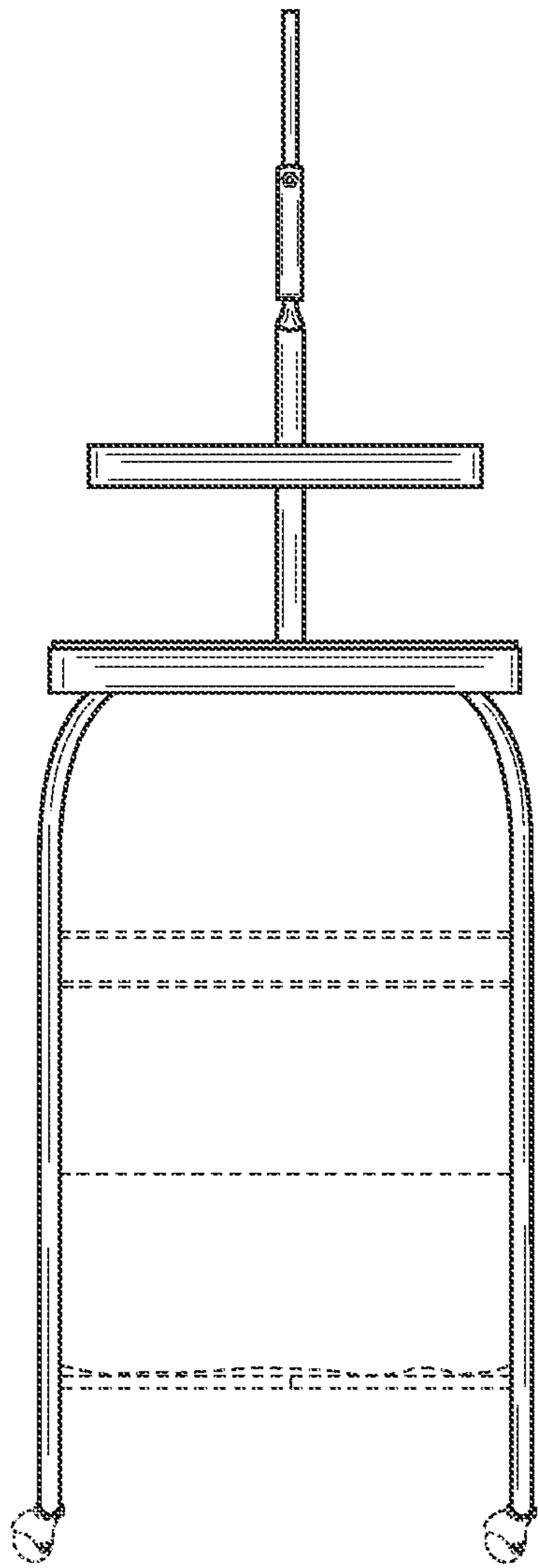


FIG. 5

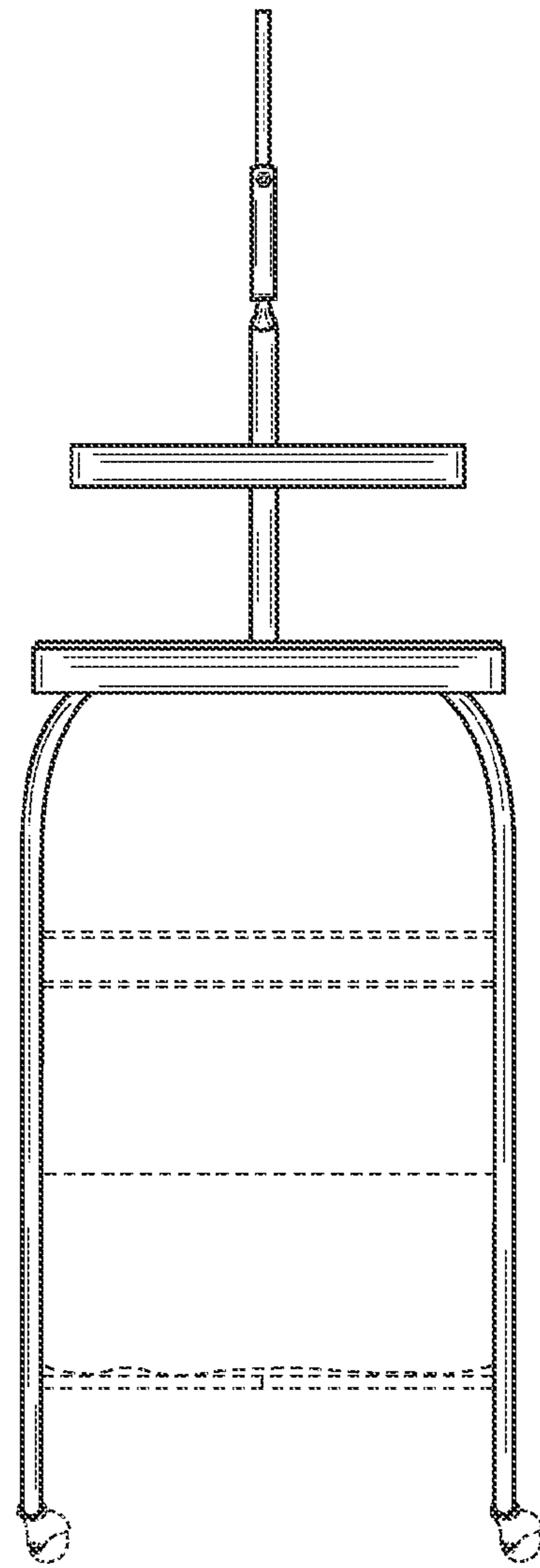


FIG. 6

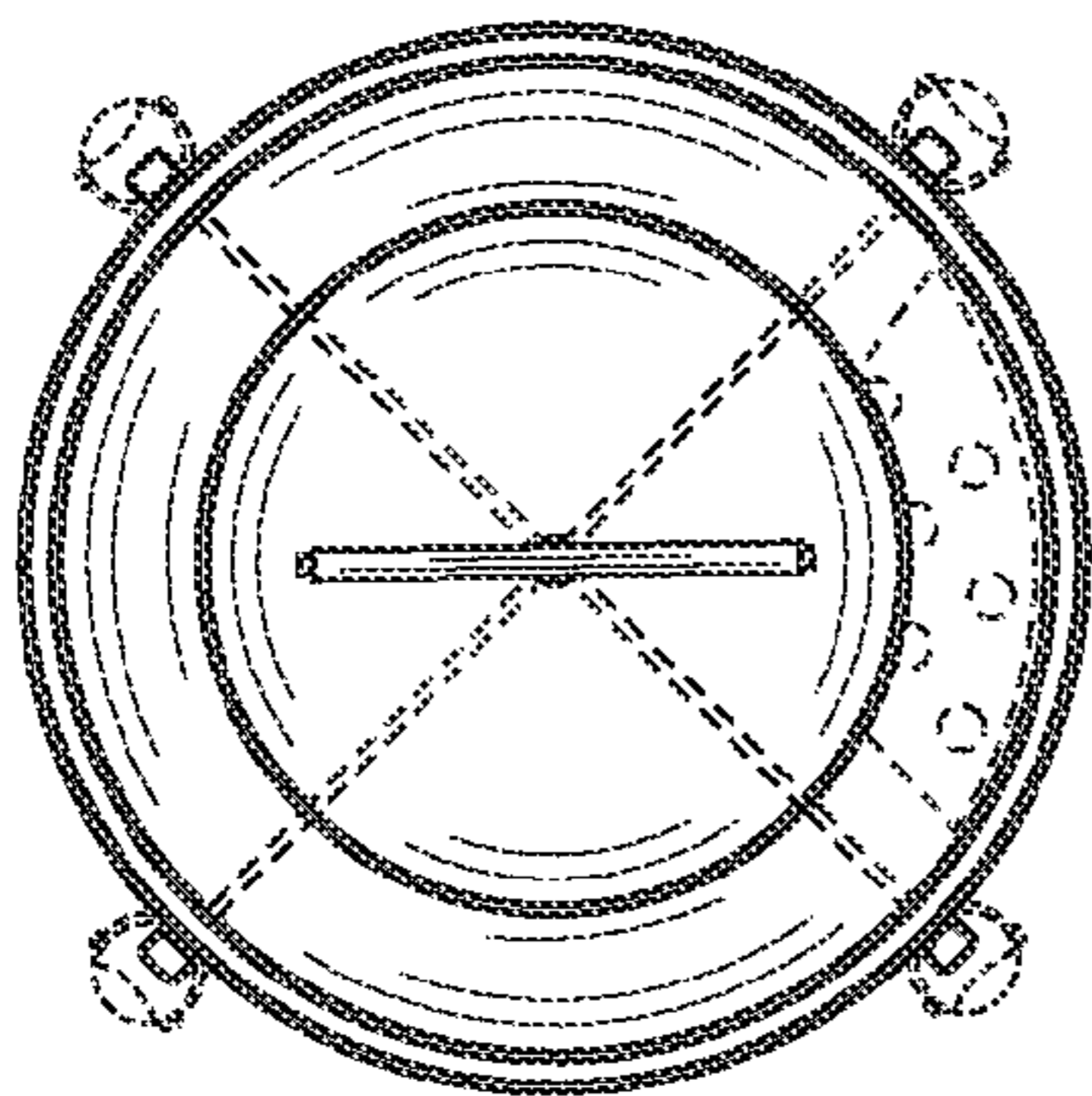


FIG. 7

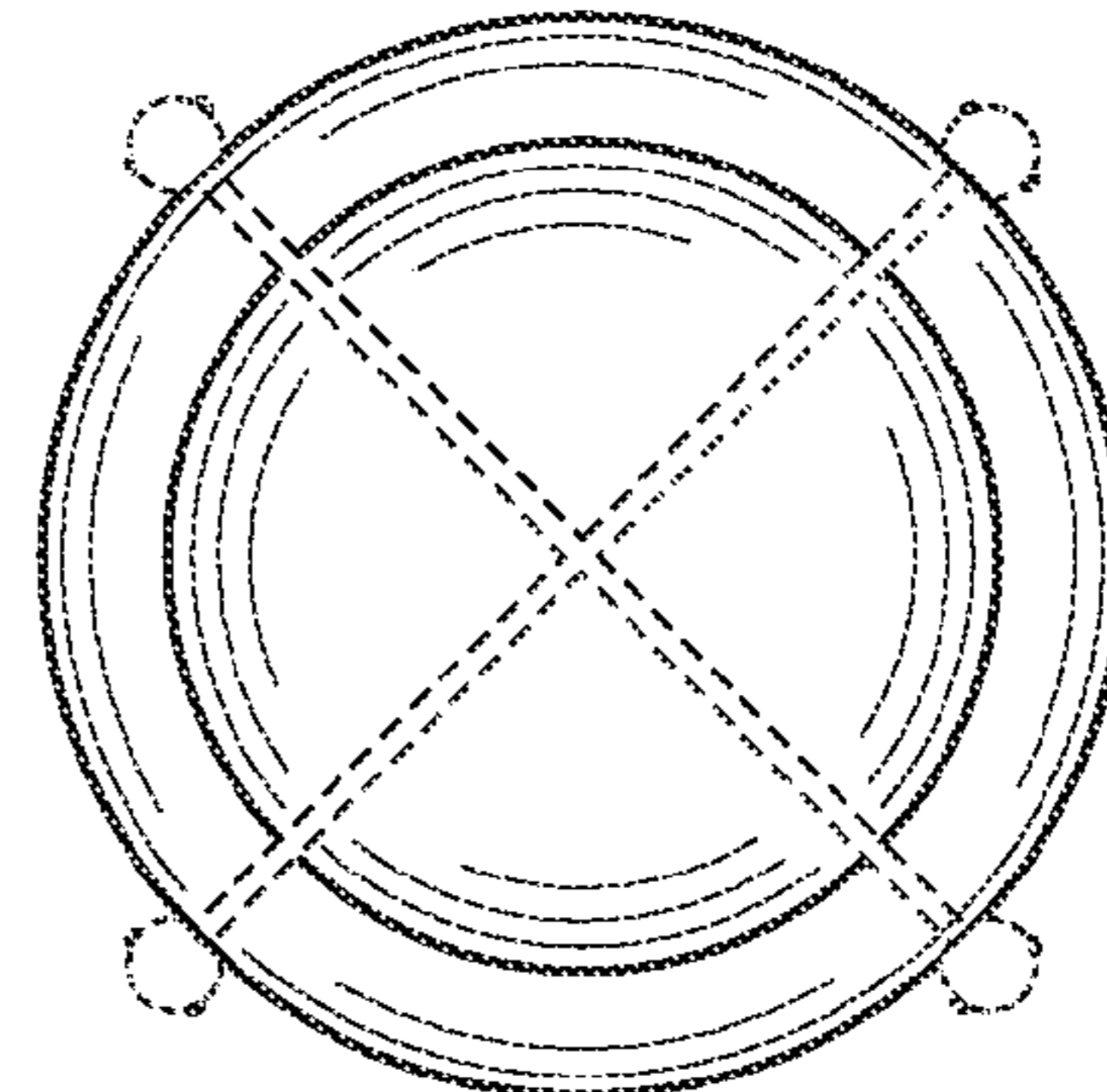


FIG. 8