



US00D605349S

(12) **United States Design Patent**
Clark et al.

(10) **Patent No.:** **US D605,349 S**
(45) **Date of Patent:** **** Dec. 1, 2009**

- (54) **CEILING HOOP**
 - (75) Inventors: **Jeremy A. Clark**, Minneapolis, MN (US); **Michael A. Whittier**, Minneapolis, MN (US); **David H. Cheney**, Shoreview, MN (US)
 - (73) Assignee: **Target Brands, Inc.**, Minneapolis, MN (US)
 - (**) Term: **14 Years**
 - (21) Appl. No.: **29/306,295**
 - (22) Filed: **Apr. 4, 2008**
 - (51) **LOC (9) Cl.** **26-99**
 - (52) **U.S. Cl.** **D26/152**
 - (58) **Field of Classification Search** D26/11, D26/118, 152, 88, 84, 85, 90, 142, 138, 143, D26/153, 110, 65, 145, 155, 87, 13, 19, 61, D26/72, 76, 91, 92, 93, 128, 129, 135, 140, D26/154; 362/402, 352, 147, 217, 257, 277, 362/285, 287, 317, 351, 355, 356, 370, 371, 362/395, 405, 410, 432
- See application file for complete search history.

- D445,940 S * 7/2001 Davis, Jr. D26/81
- D459,525 S * 6/2002 Barry D26/88
- D465,870 S 11/2002 Dolan
- D483,541 S 12/2003 Liu
- D494,705 S 8/2004 Tai
- D499,201 S 11/2004 Parres
- 6,851,211 B2 2/2005 Sender
- 7,150,539 B2 12/2006 Chen et al.
- D558,912 S * 1/2008 Crosby et al. D26/88

OTHER PUBLICATIONS

Jeremy A. Clark et al., Rack Accessories, U.S. Appl. No. 12/098,330, filed Apr. 4, 2008.
Jeremy A. Clark et al., Tower Cover and Hoop Extender, U.S. Appl. No. 29/306,296, filed Apr. 4, 2008.

* cited by examiner

Primary Examiner—Cathron C Brooks
Assistant Examiner—Kevin K Rudzinski
(74) *Attorney, Agent, or Firm*—Griffiths & Seaton PLLC

(57) **CLAIM**

The ornamental design for a ceiling hoop, as shown and described.

DESCRIPTION

This application is related to co-pending U.S. patent application Ser. No. 12/098,330, filed on even date herewith, entitled Rack Accessories, the entire contents of which are incorporated herein by reference.

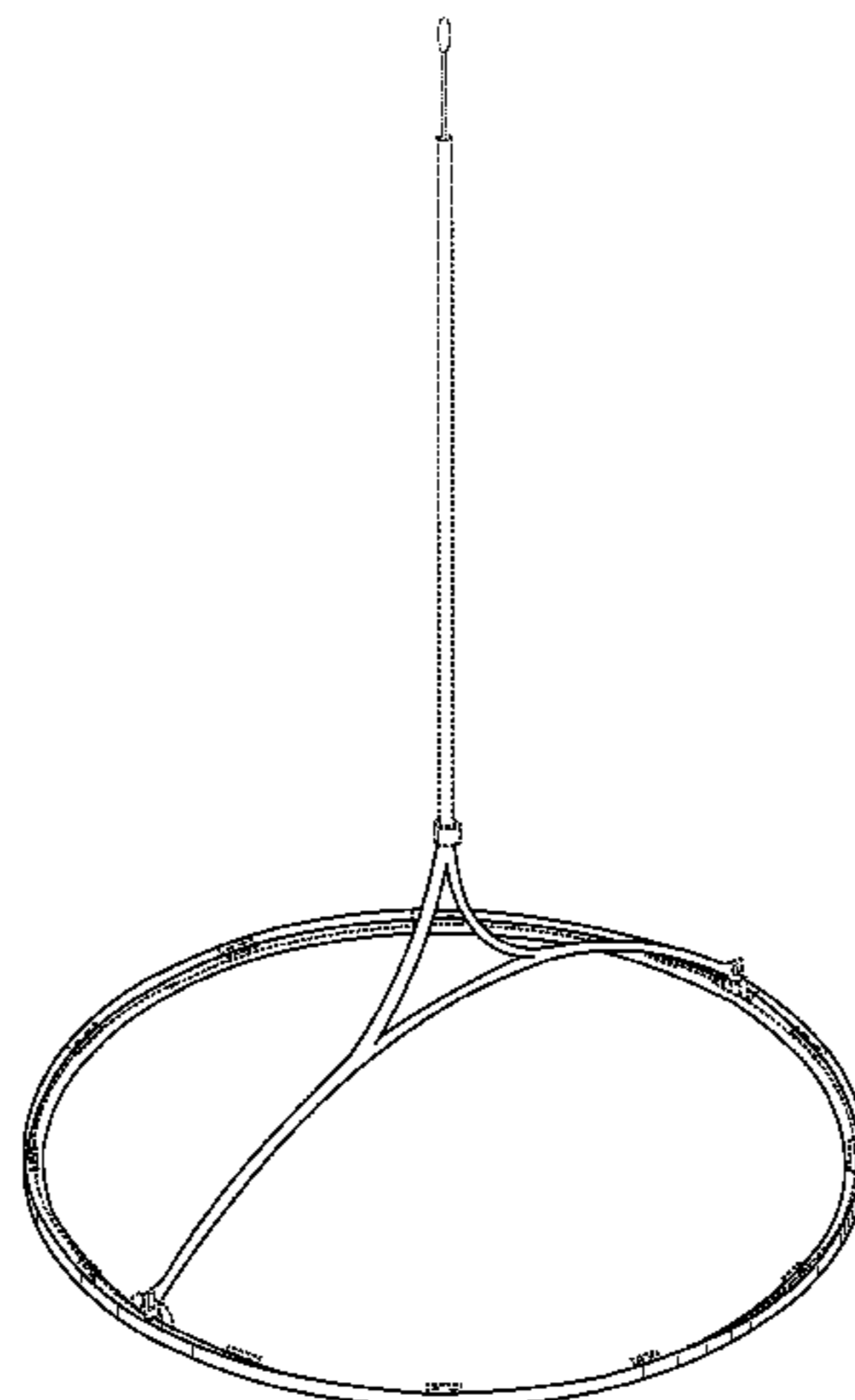
FIG. 1 is an isometric view of a ceiling hoop;
FIG. 2 is a front view thereof;
FIG. 3 is a right end view thereof, a left end view being a mirror image of the right end view;
FIG. 4 is a top view thereof; and
FIG. 5 is a bottom view thereof; and,
FIG. 6 is an additional isometric view of a ceiling hoop having a shorter hanging assembly.
The broken lines shown are included for the purpose of illustrating environmental structures and form no part of the claimed design.

1 Claim, 6 Drawing Sheets

(56) **References Cited**

U.S. PATENT DOCUMENTS

- D45,539 S * 3/1914 Meyers D26/90
- D264,136 S * 4/1982 Castiglioni D26/85
- 4,528,764 A 7/1985 Cobb
- D319,320 S * 8/1991 Wilda D26/85
- D325,446 S * 4/1992 Collymore D26/13
- 5,128,850 A 7/1992 Juodvalkis
- D340,313 S * 10/1993 Husted D26/144
- 5,274,938 A 1/1994 McDonald et al.
- 5,282,331 A 2/1994 Fell
- D372,551 S * 8/1996 Dolan D26/81
- 5,772,314 A 6/1998 Brumer
- D403,460 S 12/1998 Littman et al.
- D403,799 S 1/1999 Dolan
- D421,507 S 3/2000 Borders et al.
- D430,331 S * 8/2000 Bleisch D26/91
- 6,174,075 B1 1/2001 Fuwasa
- D439,365 S 3/2001 Hoffbauer
- D440,864 S 4/2001 Cropelli
- D441,119 S 4/2001 Crosby



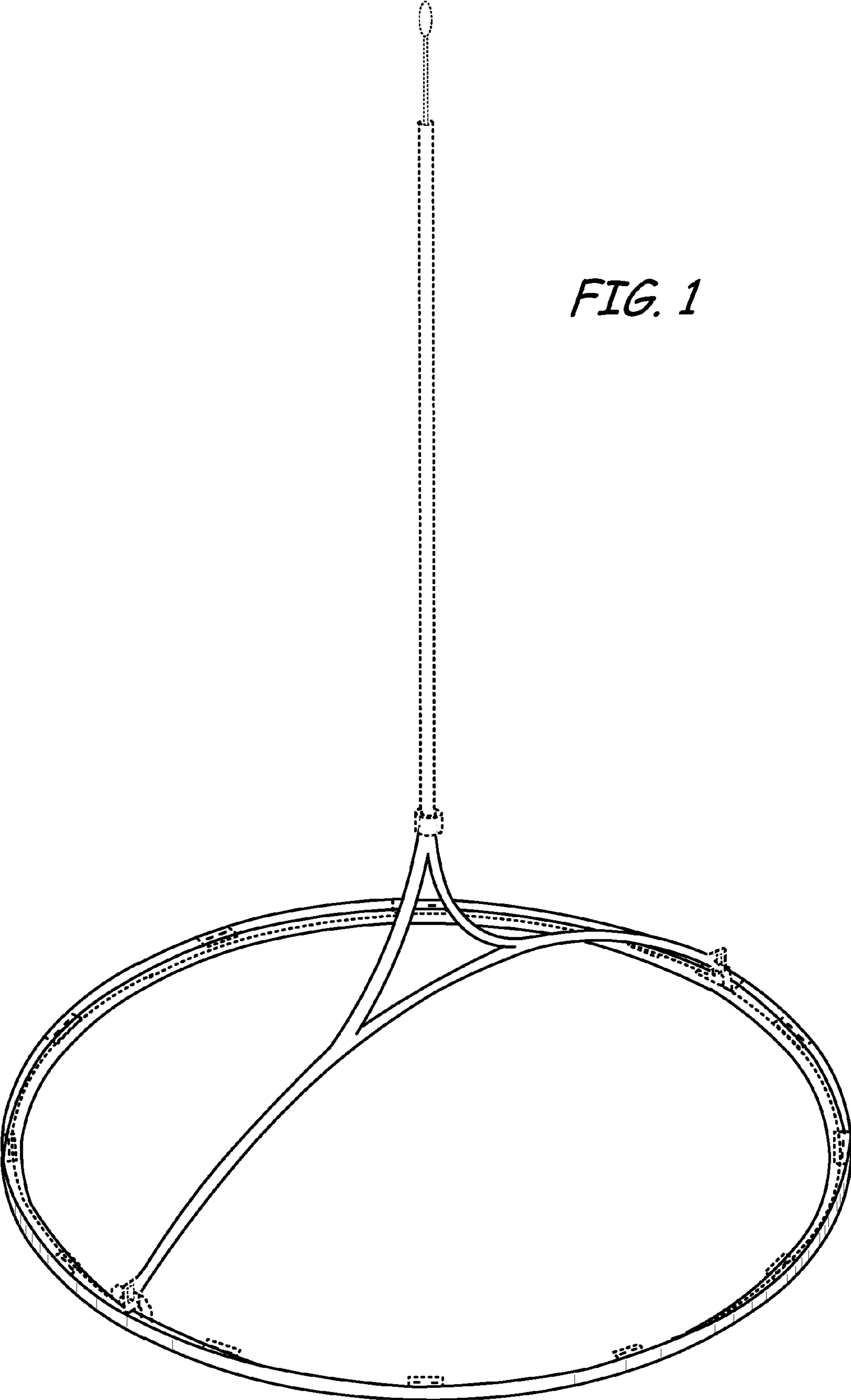


FIG. 1

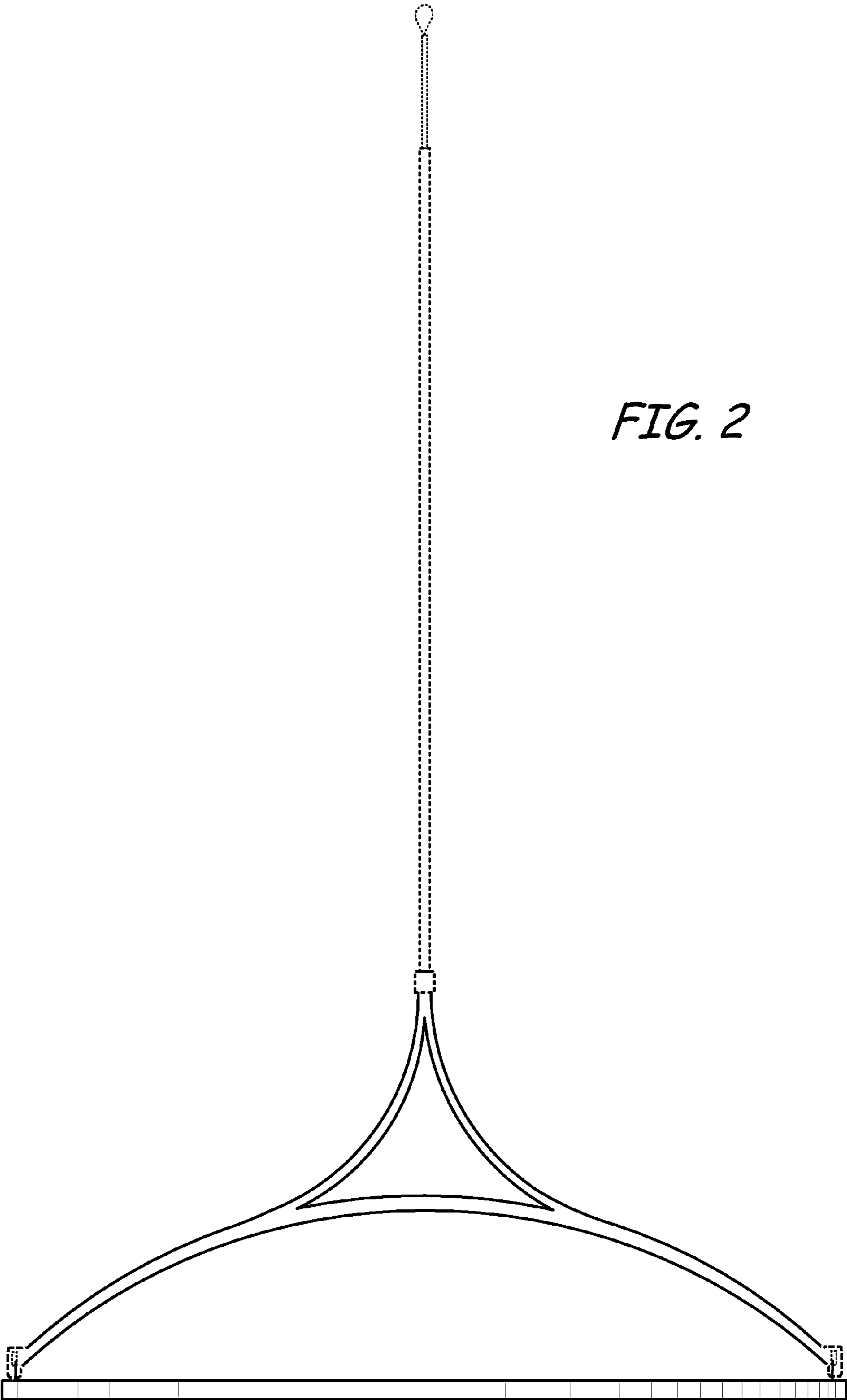
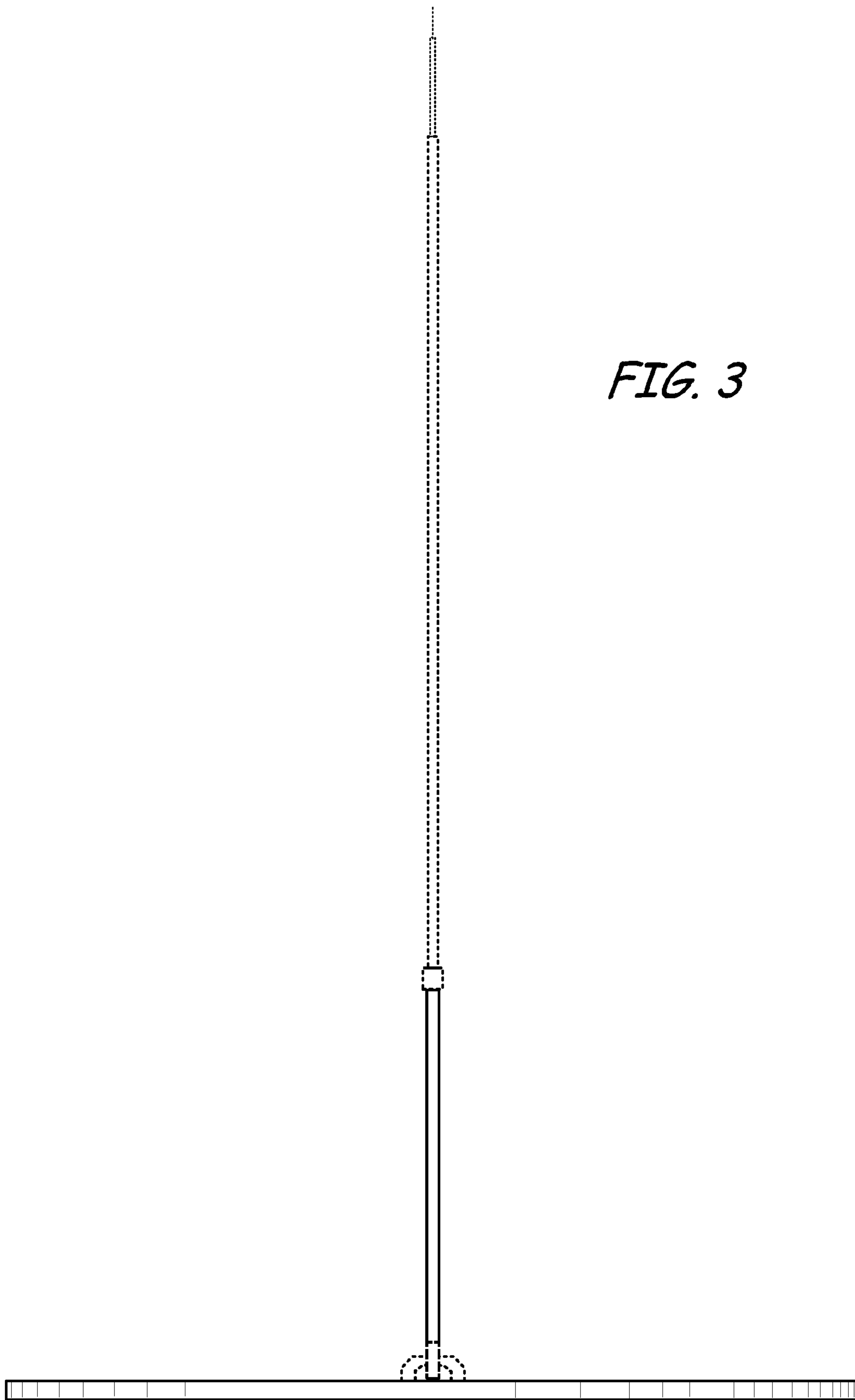


FIG. 2



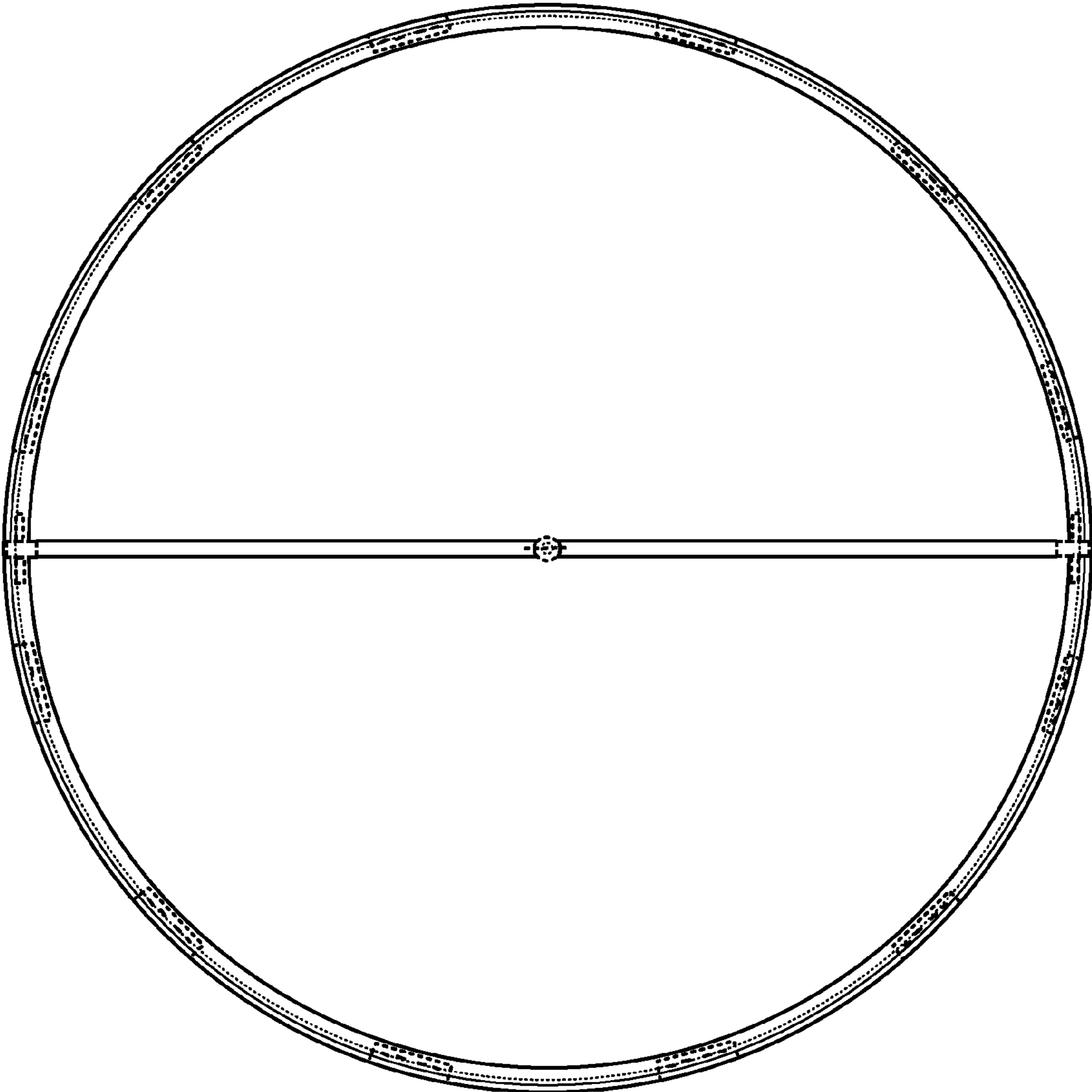


FIG. 4

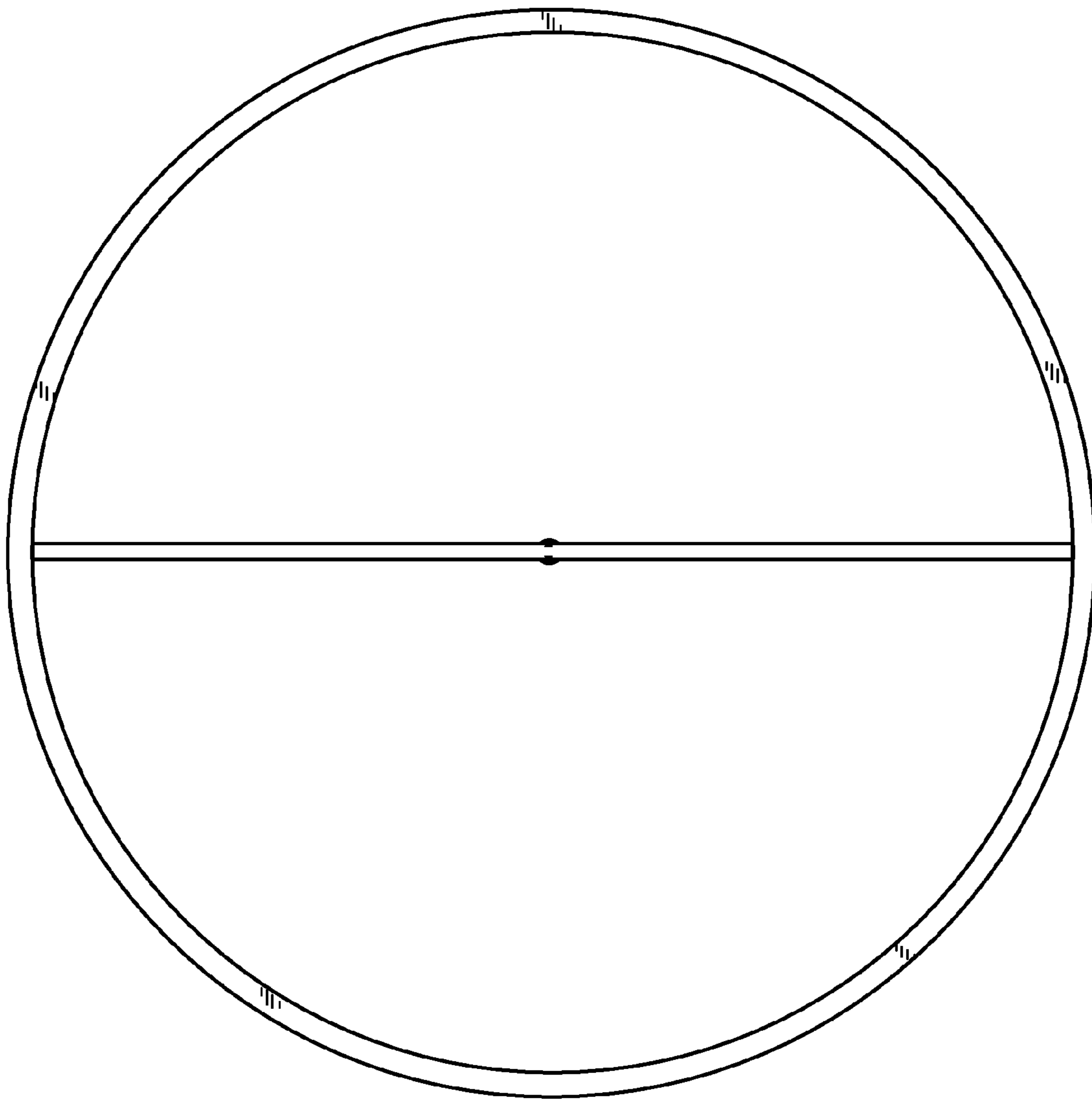


FIG. 5

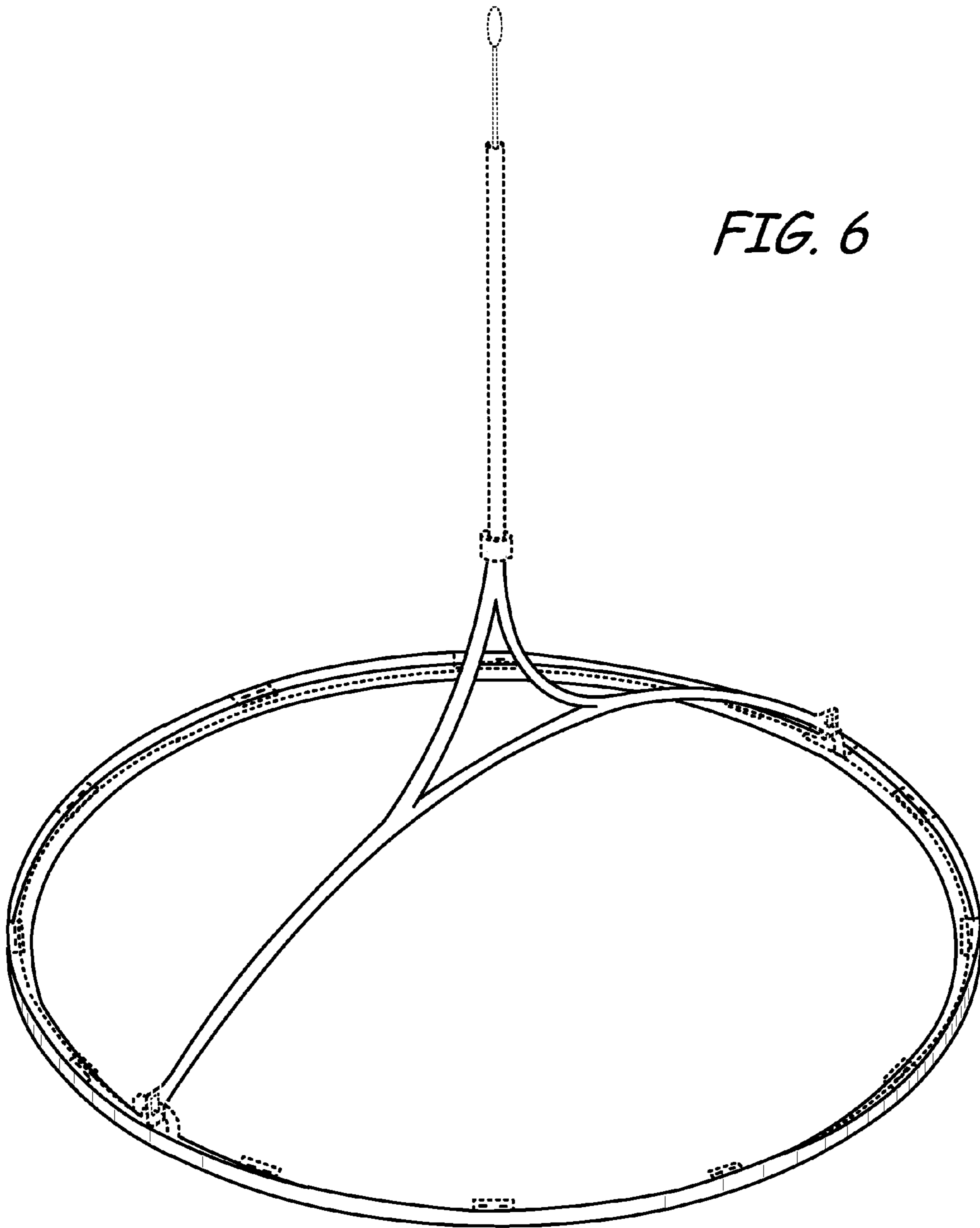


FIG. 6