

US00D605347S

(12) **United States Design Patent**
Miranda

(10) **Patent No.:** **US D605,347 S**

(45) **Date of Patent:** **** Dec. 1, 2009**

(54) **LIGHTING FIXTURE**

(76) Inventor: **Pasquale Miranda**, 63- 2nd St., Garden City, NY (US) 10454

(**) Term: **14 Years**

(21) Appl. No.: **29/315,233**

(22) Filed: **Jun. 5, 2009**

(51) **LOC (9) Cl.** **26-99**

(52) **U.S. Cl.** **D26/144; D26/81**

(58) **Field of Classification Search** D26/72,
D26/81-86, 88-91; 362/147, 404-408, 443,
362/457

See application file for complete search history.

(56) **References Cited**

U.S. PATENT DOCUMENTS

- D430,689 S * 9/2000 Chiang D26/80
- D445,940 S * 7/2001 Davis, Jr. D26/81
- D498,870 S * 11/2004 Parres D26/86

- D553,782 S * 10/2007 Nicholas D26/81
- D578,700 S * 10/2008 Chen D26/81
- D583,089 S * 12/2008 Orozco D26/81

* cited by examiner

Primary Examiner—Clare E Heflin

(57) **CLAIM**

The ornamental design for a lighting fixture, as shown and described.

DESCRIPTION

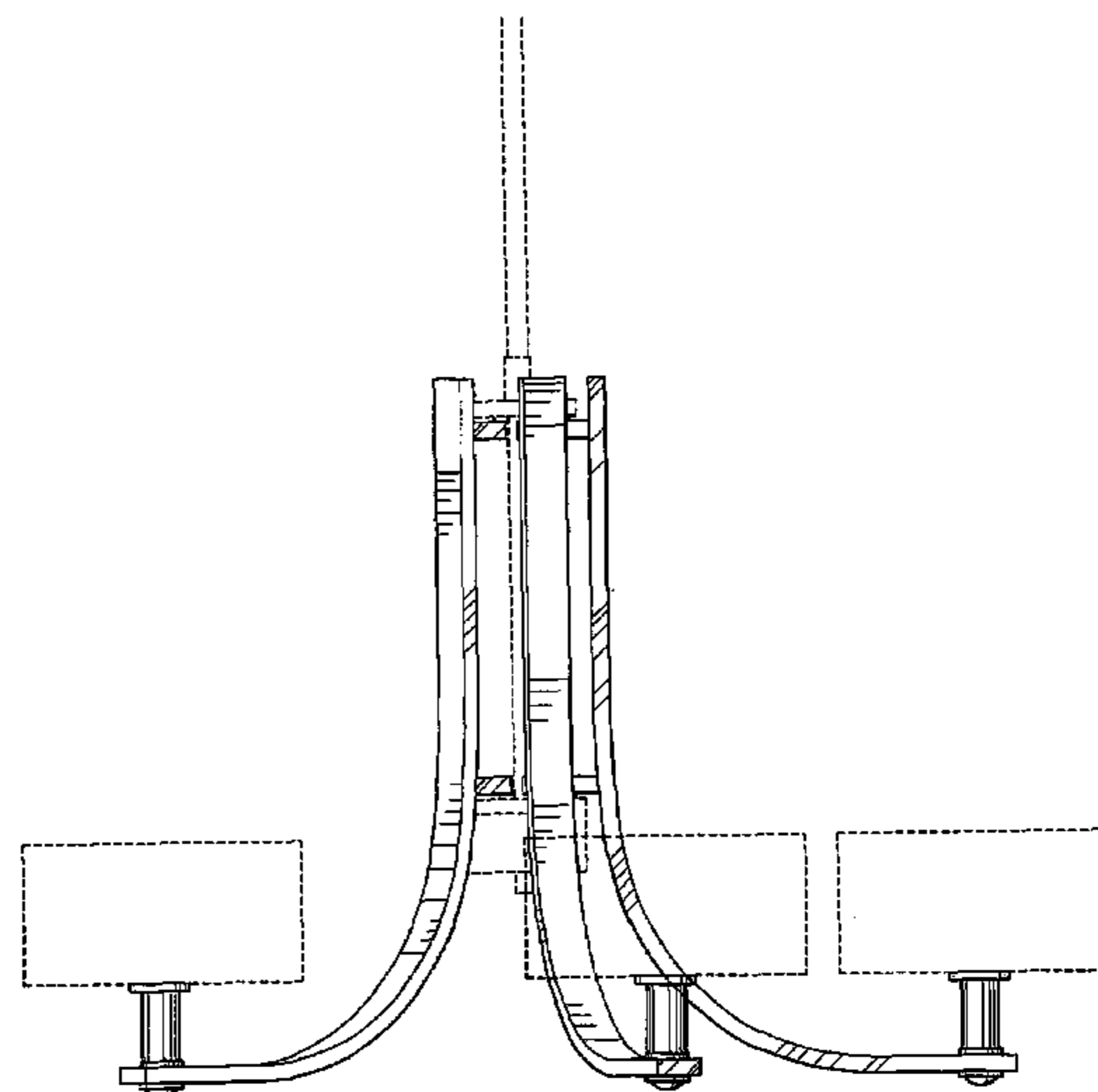
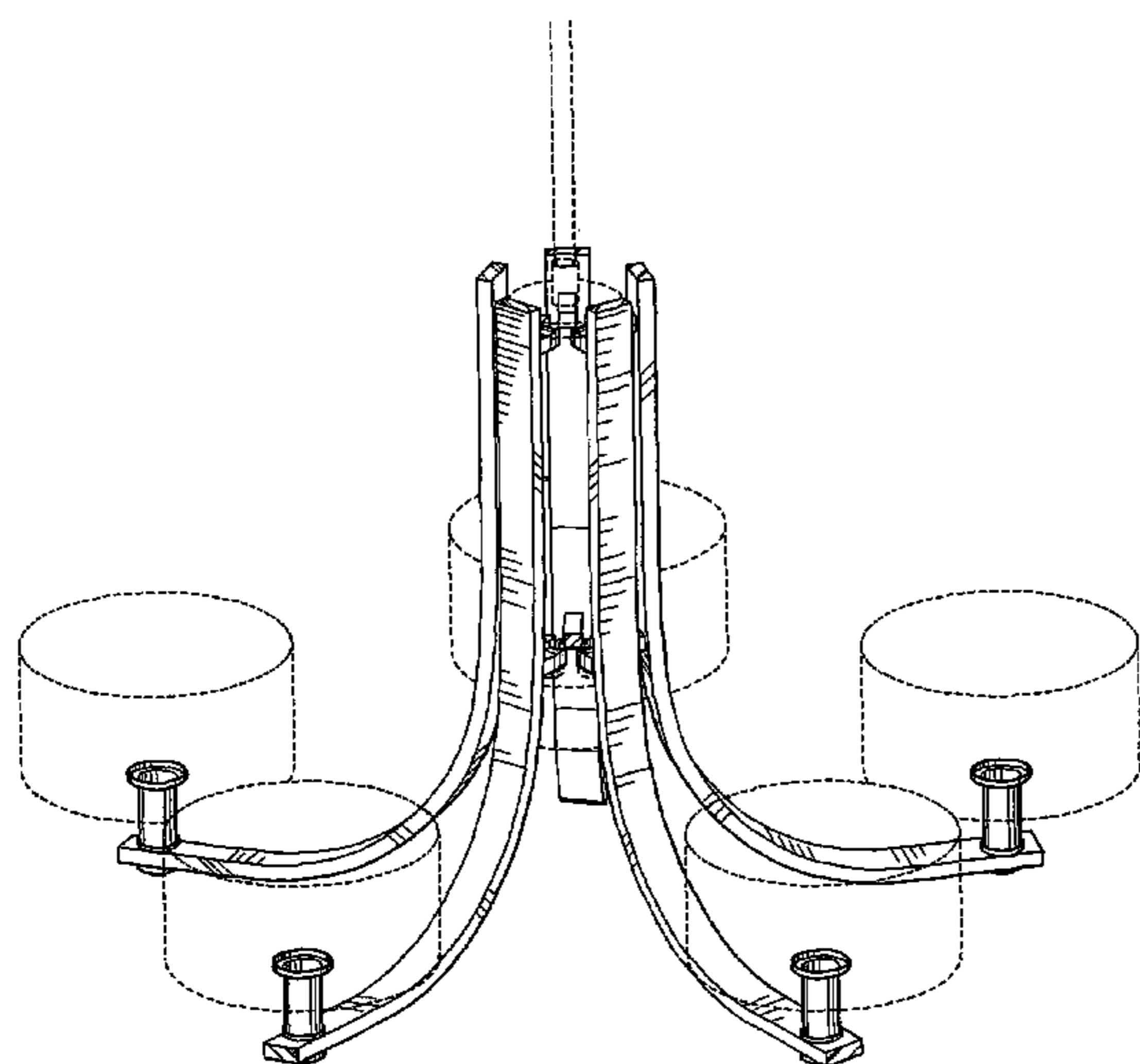
FIG. 1 is a perspective view of a lighting fixture showing my new design;

FIG. 2 is a front elevational view thereof; and,

FIG. 3 is a bottom plan view thereof.

The broken-line showing of environmental structures in FIG. 1-3 is for illustrative purposes only and forms no part of the claimed design.

1 Claim, 3 Drawing Sheets



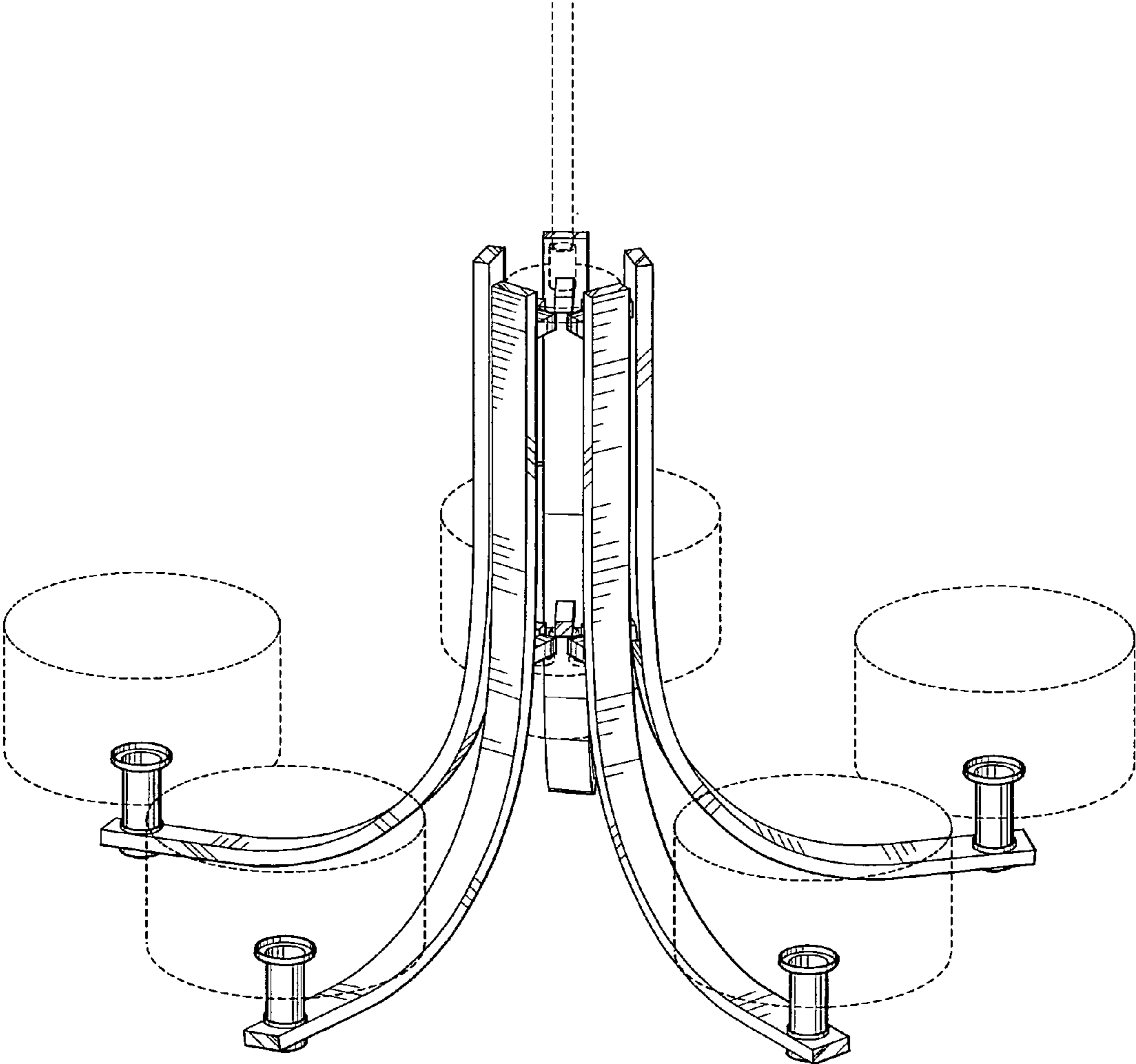


FIG. 1

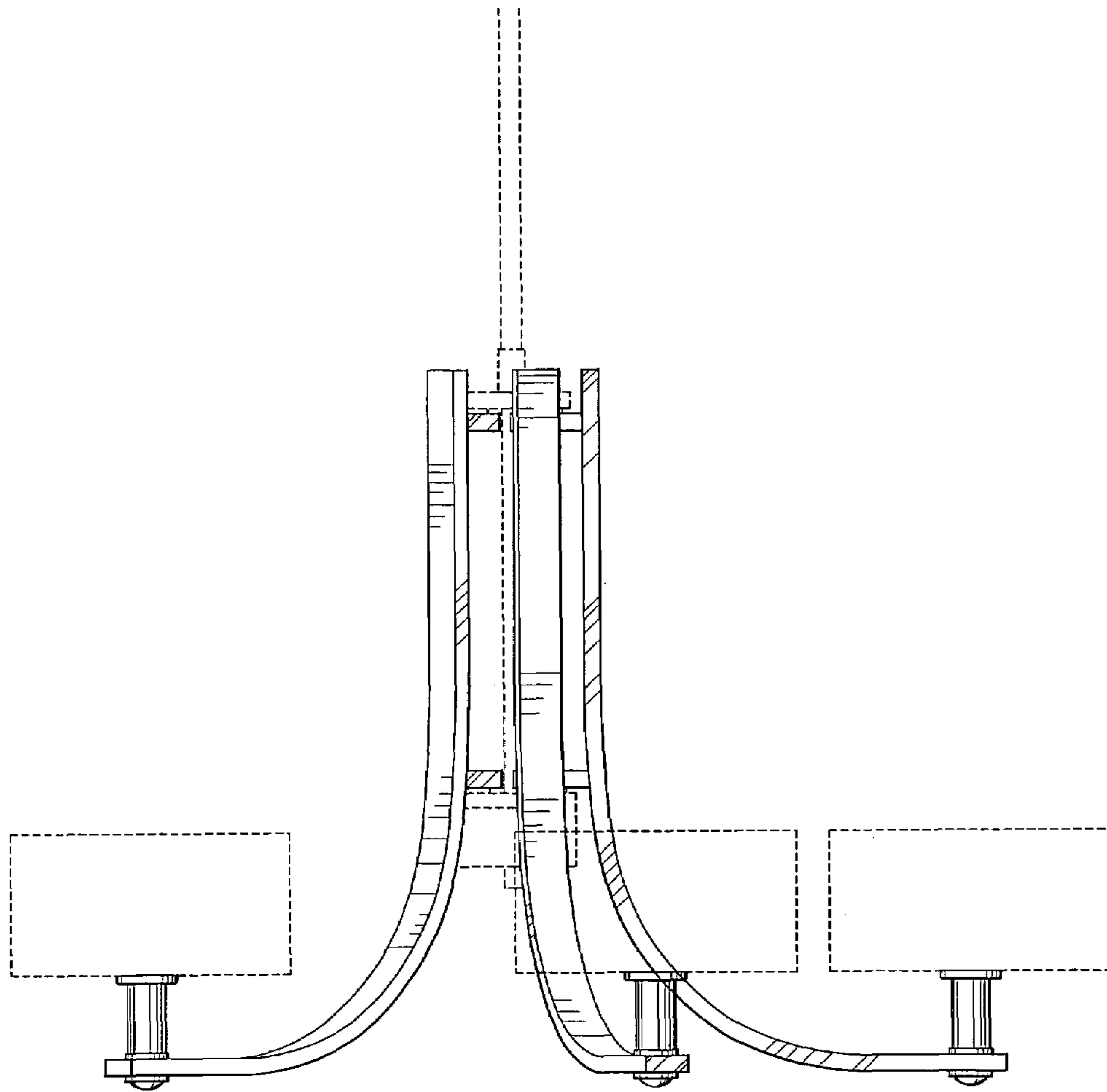


FIG. 2

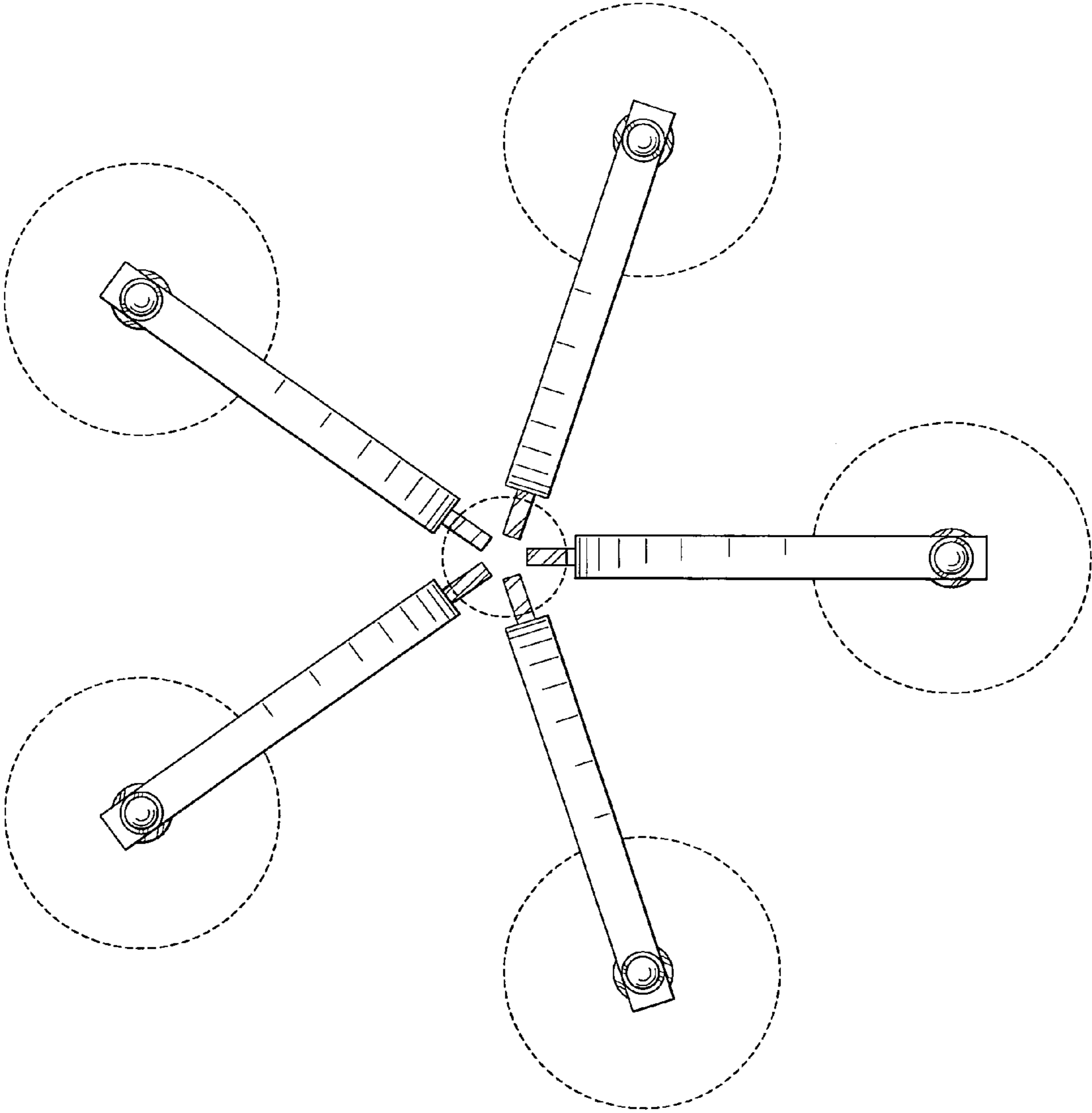


FIG. 3