



US00D605345S

(12) **United States Design Patent**  
**Waring**

(10) **Patent No.:** **US D605,345 S**

(45) **Date of Patent:** **\*\* Dec. 1, 2009**

(54) **LIGHT FIXTURE**

(76) Inventor: **Jennifer S. Waring**, MBW Motorcycle Products, Inc. 351 Liberty La., Unit 5-E, W. Kingston, RI (US) 02892

(\*\*) Term: **14 Years**

(21) Appl. No.: **29/310,114**

(22) Filed: **Jul. 25, 2008**

(51) **LOC (9) Cl.** ..... **26-99**

(52) **U.S. Cl.** ..... **D26/138**

(58) **Field of Classification Search** ..... D26/67, D26/87, 88, 85, 89, 118, 141, 138, 120, 74, D26/113, 68, 79, 81, 83, 119, 121, 122, 123, D26/124, 128, 131, 142, 143; 362/255, 444, 362/606, 95, 145, 147, 148, 805, 153, 153.1, 362/655, 656, 658, 659, 260, 297, 301, 309, 362/331, 335, 353, 364, 365, 416, 431, 435, 362/448, 452; D13/154, 133, 134, 135; D8/354, D8/364, 366, 371, 381; D10/106

See application file for complete search history.

(56) **References Cited**

**U.S. PATENT DOCUMENTS**

D192,478	S	*	3/1962	Hansen et al.	.....	D26/35
3,539,801	A	*	11/1970	Bobrick	.....	362/297
3,919,559	A	*	11/1975	Stevens	.....	378/154
4,321,659	A	*	3/1982	Wheeler	.....	362/293
4,344,115	A	*	8/1982	Pickens et al.	.....	362/216
D301,696	S	*	6/1989	Greenlee et al.	.....	D10/106
D302,324	S	*	7/1989	Moran et al.	.....	D26/59
D309,784	S	*	8/1990	Whitley, II	.....	D26/28
D322,584	S	*	12/1991	Kawashima et al.	.....	D10/114
D341,787	S	*	11/1993	Chan	.....	D10/106
6,410,909	B1	*	6/2002	Rudolph et al.	.....	250/231.13

D468,472	S	*	1/2003	Mullally et al.	.....	D26/67
D482,484	S	*	11/2003	Benghozi	.....	D26/85
6,682,204	B2	*	1/2004	Mullally et al.	.....	362/235
D497,447	S	*	10/2004	Yoneda	.....	D26/72
D505,687	S	*	5/2005	Asai	.....	D16/219

\* cited by examiner

*Primary Examiner*—Cathron C Brooks

*Assistant Examiner*—Kevin K Rudzinski

(74) *Attorney, Agent, or Firm*—Roger A. Gilcrest

(57) **CLAIM**

The ornamental design for a light fixture, as shown and described in the drawings.

**DESCRIPTION**

FIG. 1 is an upper side perspective view of a light fixture of the present invention;

FIG. 2 is a top plan view of a light fixture of the present invention;

FIG. 3 is a bottom plan view of a light fixture of the present invention;

FIG. 4 is a left side elevation view of a light fixture of the present invention;

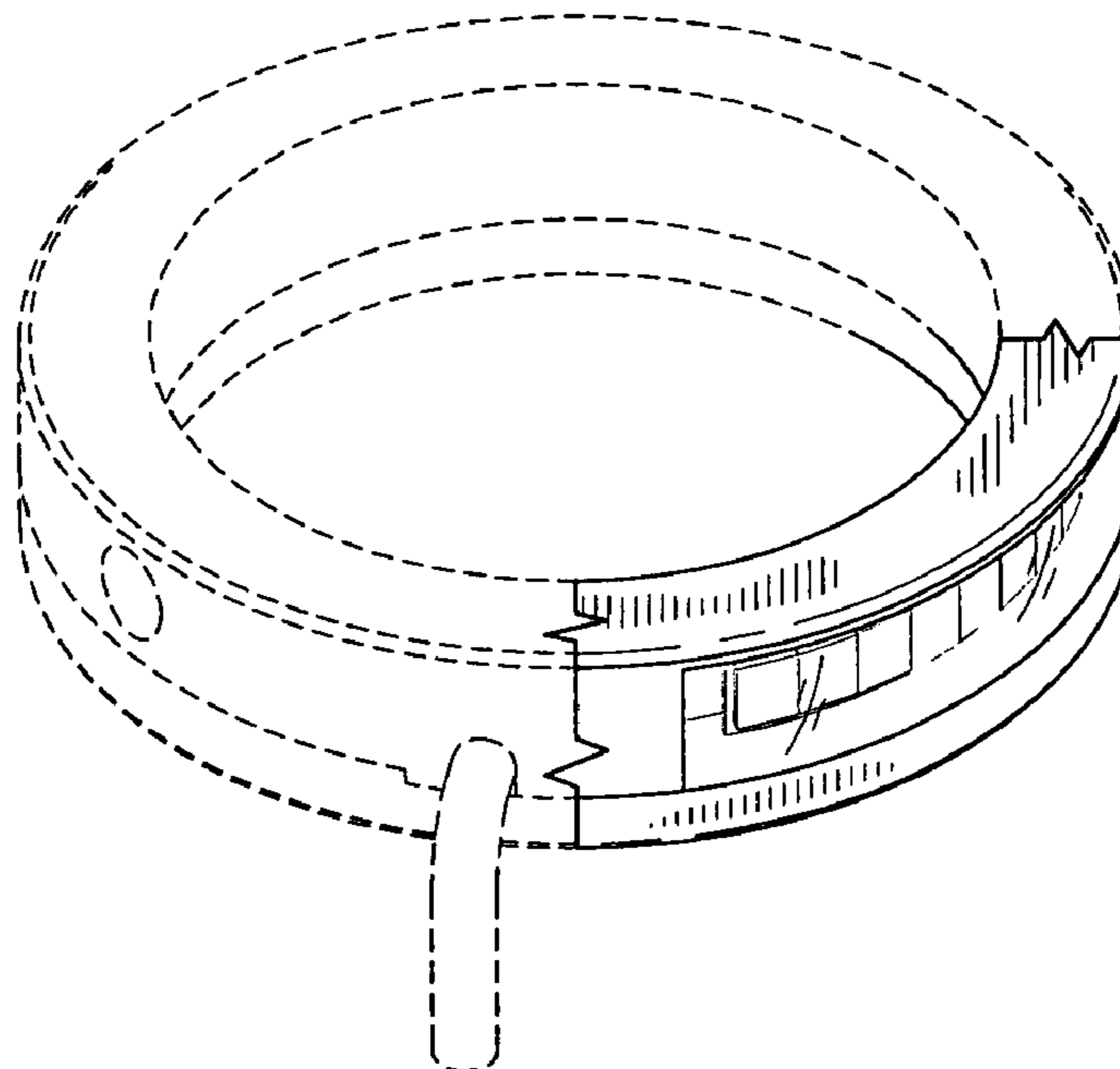
FIG. 5 is a right side elevation view of a light fixture of the present invention;

FIG. 6 is a rear elevation view of a light fixture of the present invention; and,

FIG. 7 is a front elevation view of a light fixture of the present invention.

The broken lines shown are included for the purpose of illustration only and form no part of the claimed design.

**1 Claim, 2 Drawing Sheets**



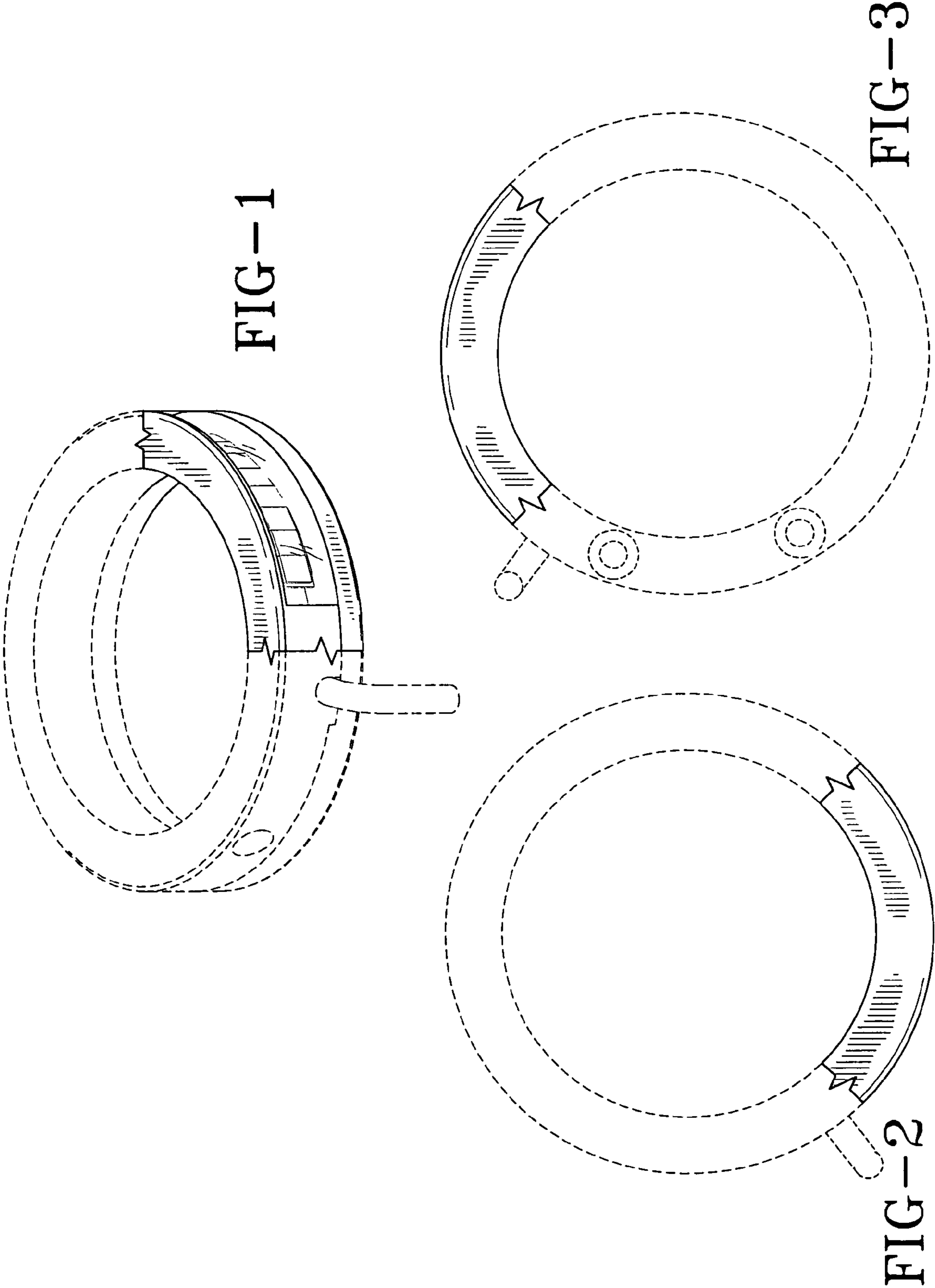


FIG-1

FIG-3

FIG-2

