



US00D605339S

(12) **United States Design Patent**
Quadri

(10) **Patent No.:** **US D605,339 S**
(45) **Date of Patent:** **** Dec. 1, 2009**

(54) **LIGHT PROJECTOR**

(75) **Inventor:** **Pasquale Quadri, Torre De' Roveri (IT)**

(73) **Assignee:** **Clay Paky S.p.A., Seriate (IT)**

(**) **Term:** **14 Years**

(21) **Appl. No.:** **29/308,256**

(22) **Filed:** **Jun. 5, 2008**

(30) **Foreign Application Priority Data**

Dec. 7, 2007 (EM) 000838248-0001

(51) **LOC (9) Cl.** **26-99**

(52) **U.S. Cl.** **D26/118**

(58) **Field of Classification Search** D13/136,
D13/134; 439/242, 241, 239, 236, 232; 362/233,
362/425, 371, 260, 217, 264, 321, 257, 282,
362/606, 561, 580, 125, 126, 181, 277, 285,
362/183, 649, 651, 657, 658, 659, 293, 294,
362/319, 370, 421, 427; D26/135, 113, 118,
D26/128, 37, 138, 63, 65, 2, 78, 3, 24, 26,
D26/49, 59, 60, 61, 64, 72, 75, 79, 93, 129,
D26/130, 132, 133, 134, 136, 137, 140, 141,
D26/142, 152, 153, 40; 353/82, 31, 46, 49,
353/98, 119, 71; 206/591; D16/221, 228,
D16/230, 232, 231; 250/372

See application file for complete search history.

(56) **References Cited**

U.S. PATENT DOCUMENTS

498,345 A * 5/1893 Wilmhurst 84/269
D264,344 S * 5/1982 Miller et al. D16/221

D335,193 S * 4/1993 Shaanan et al. D26/63
5,515,254 A * 5/1996 Smith et al. 362/293
5,882,107 A * 3/1999 Bornhorst et al. 362/281
D417,300 S * 11/1999 Stacy et al. D26/63
D439,356 S * 3/2001 Martinson et al. D26/63
D457,673 S * 5/2002 Martinson et al. D26/63
6,695,452 B2 * 2/2004 Panasewicz et al. 353/119
6,902,302 B2 * 6/2005 Foster 362/324
D551,786 S * 9/2007 Smith D26/28
D562,486 S * 2/2008 Luke D26/61
D575,424 S * 8/2008 Gebhard et al. D26/28
2002/0060911 A1 * 5/2002 Brockmann et al. 362/321
2002/0159262 A1 * 10/2002 Romano et al. 362/345
2004/0095761 A1 * 5/2004 Esakoff 362/226

* cited by examiner

Primary Examiner—Cathron C Brooks

Assistant Examiner—Kevin K Rudzinski

(74) *Attorney, Agent, or Firm*—Ladas and Parry LLP

(57) **CLAIM**

The ornamental design for a light projector, as shown.

DESCRIPTION

FIG. 1 is a left side view of my new design relating to light projector;

FIG. 2 is a front view thereof;

FIG. 3 is a right side view thereof;

FIG. 4 is a rear view thereof;

FIG. 5 is a bottom view thereof;

FIG. 6 is a top view thereof; and,

FIG. 7 is a perspective view thereof.

1 Claim, 7 Drawing Sheets

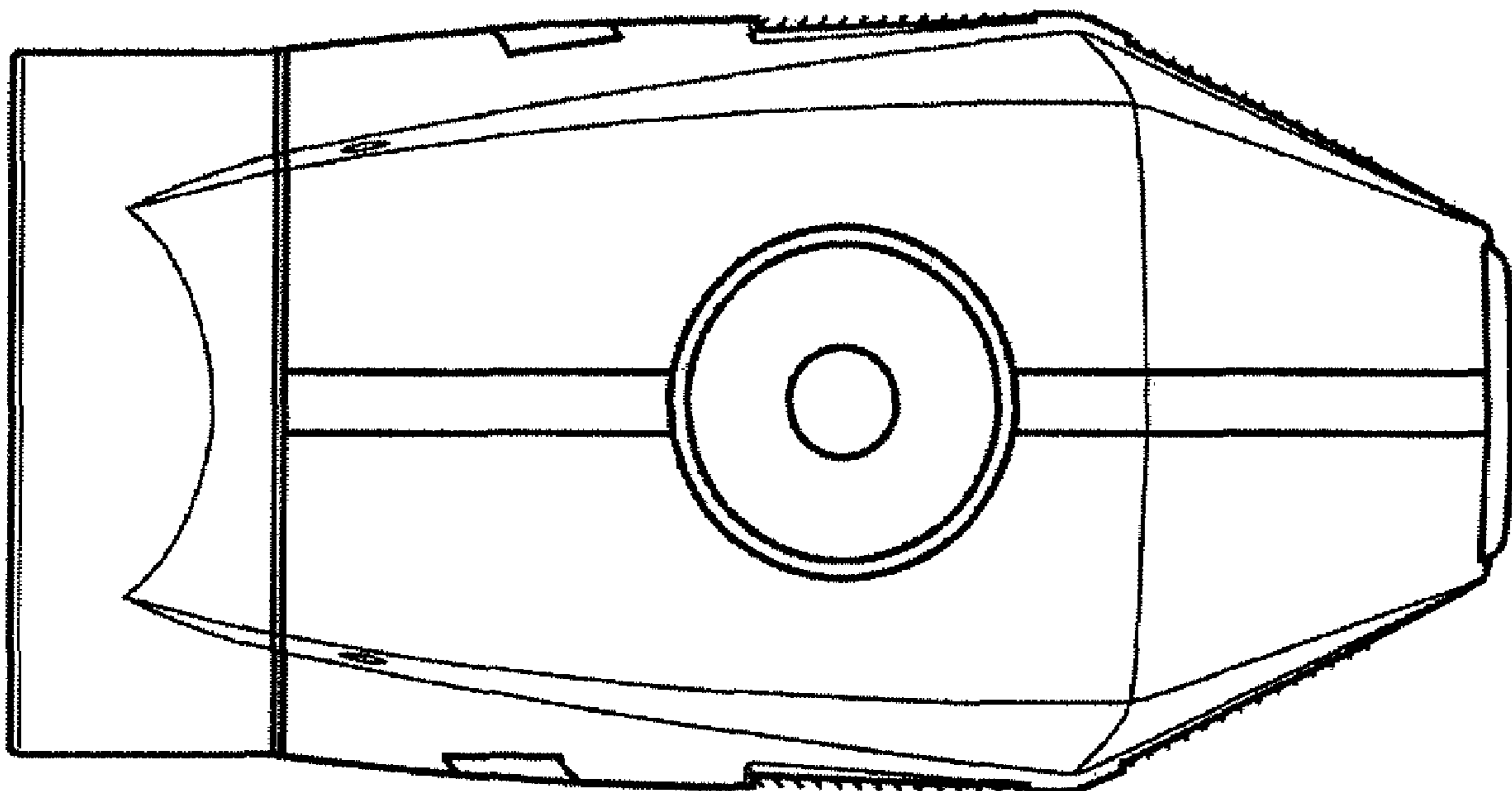


FIG. 1

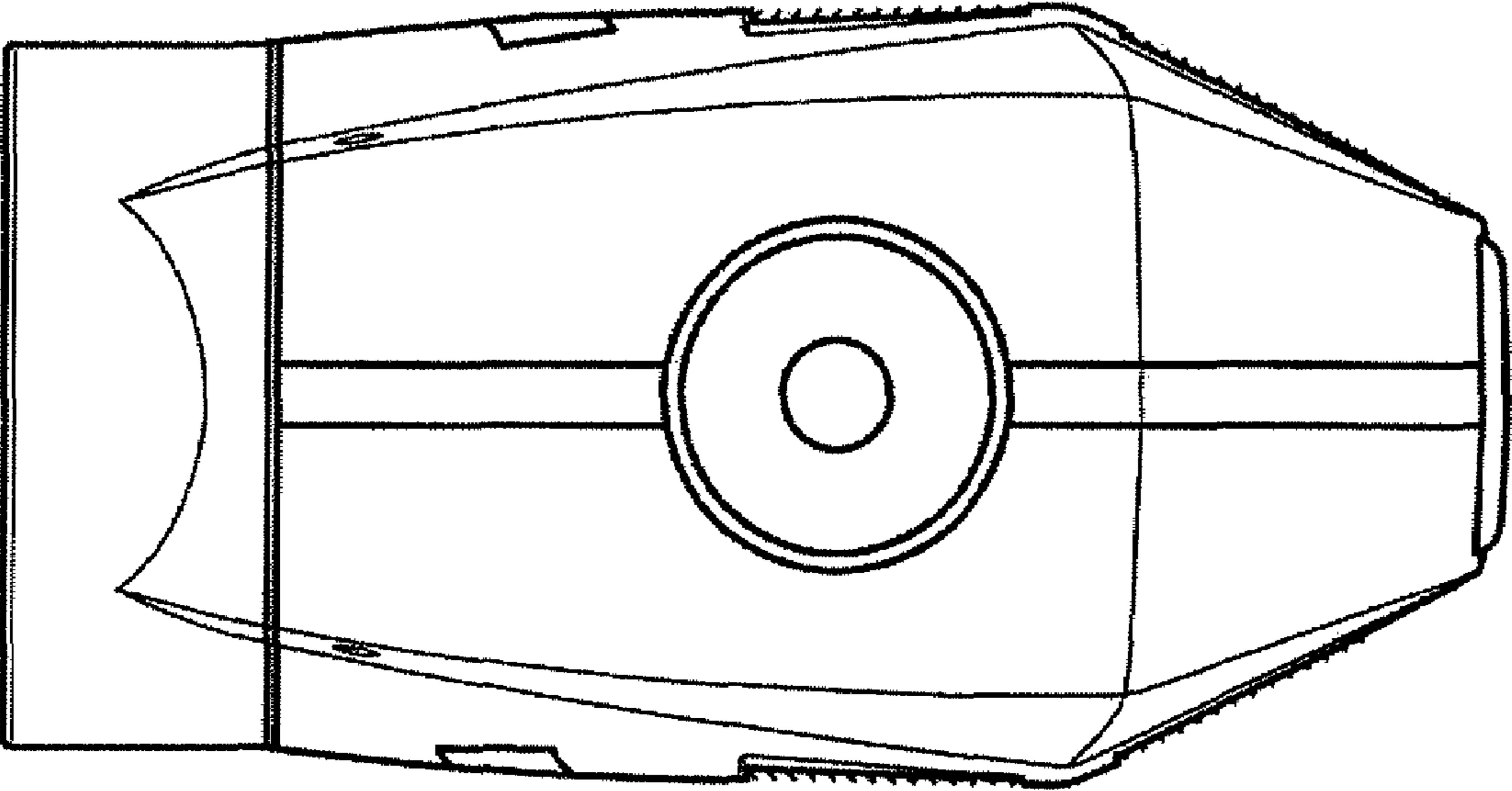


FIG. 2

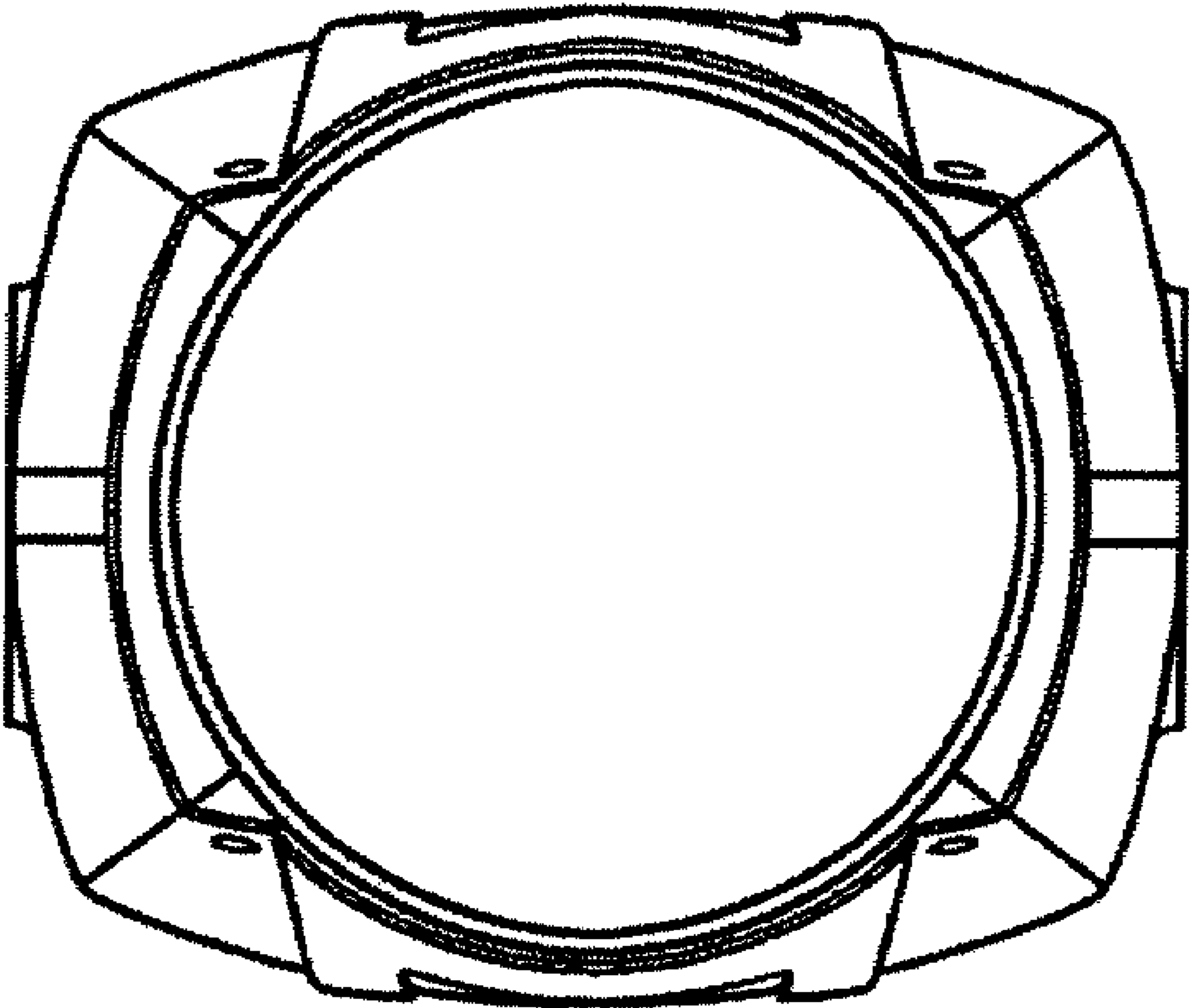


FIG. 3

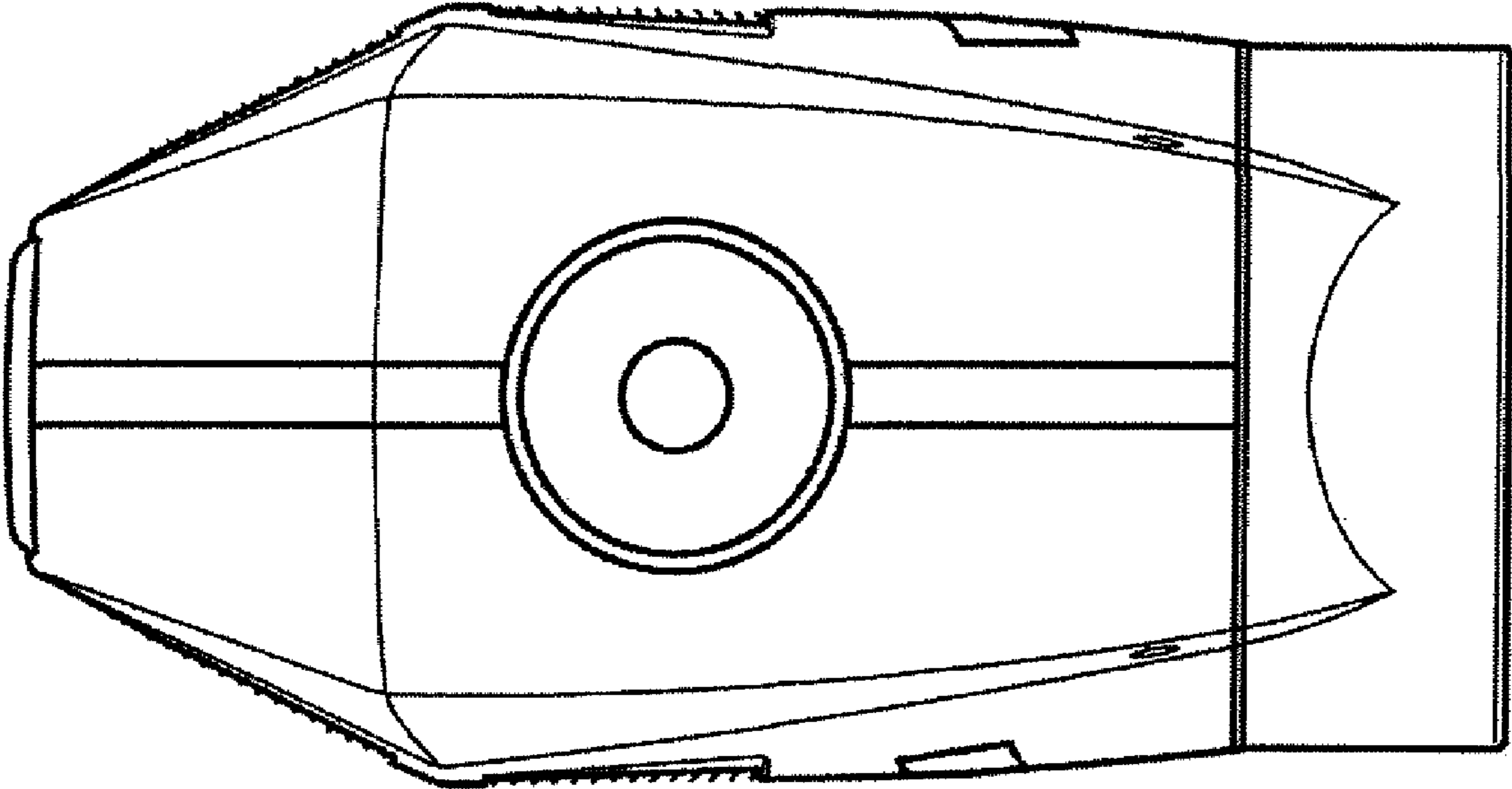


FIG. 4

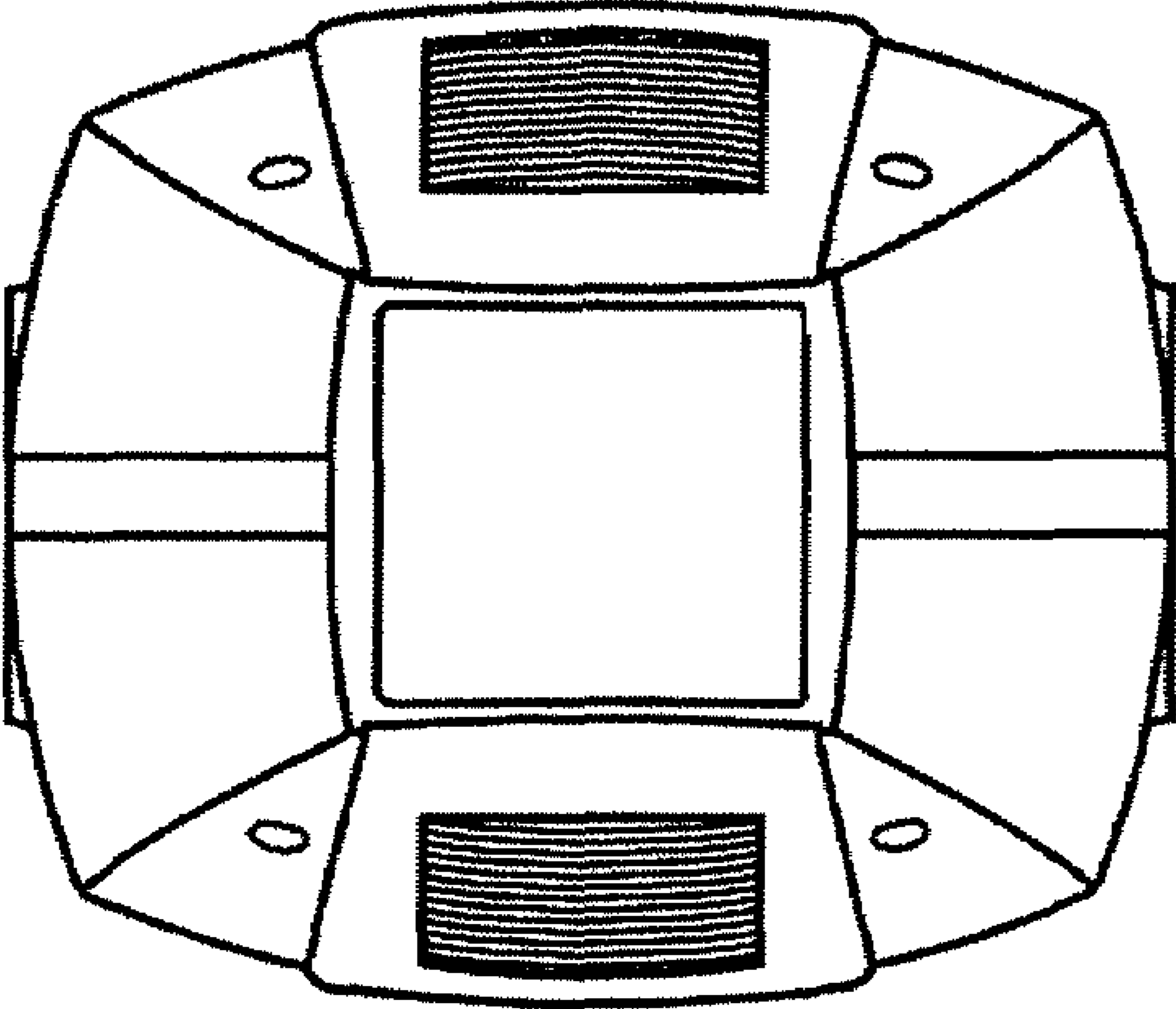


FIG. 5

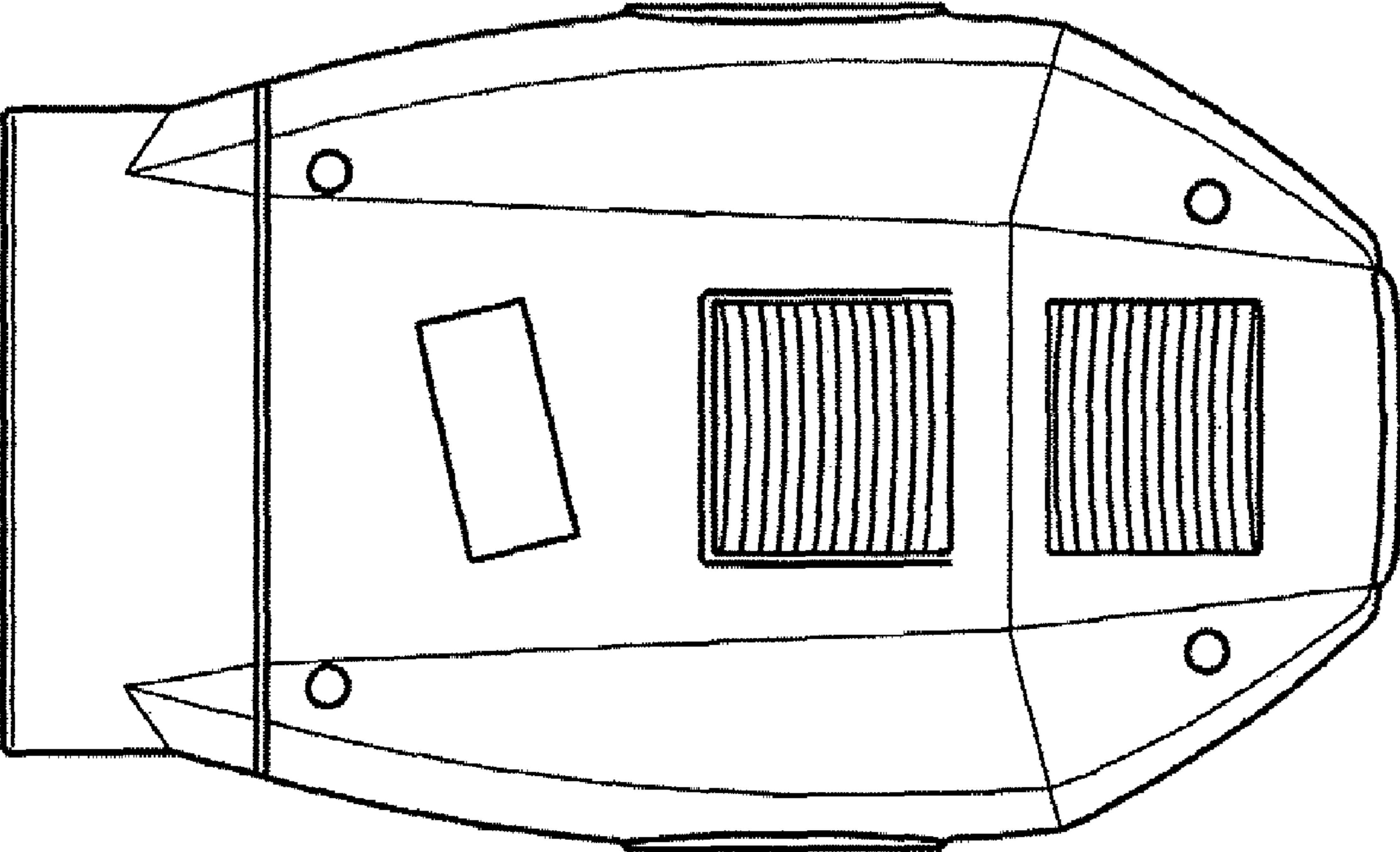


FIG. 6

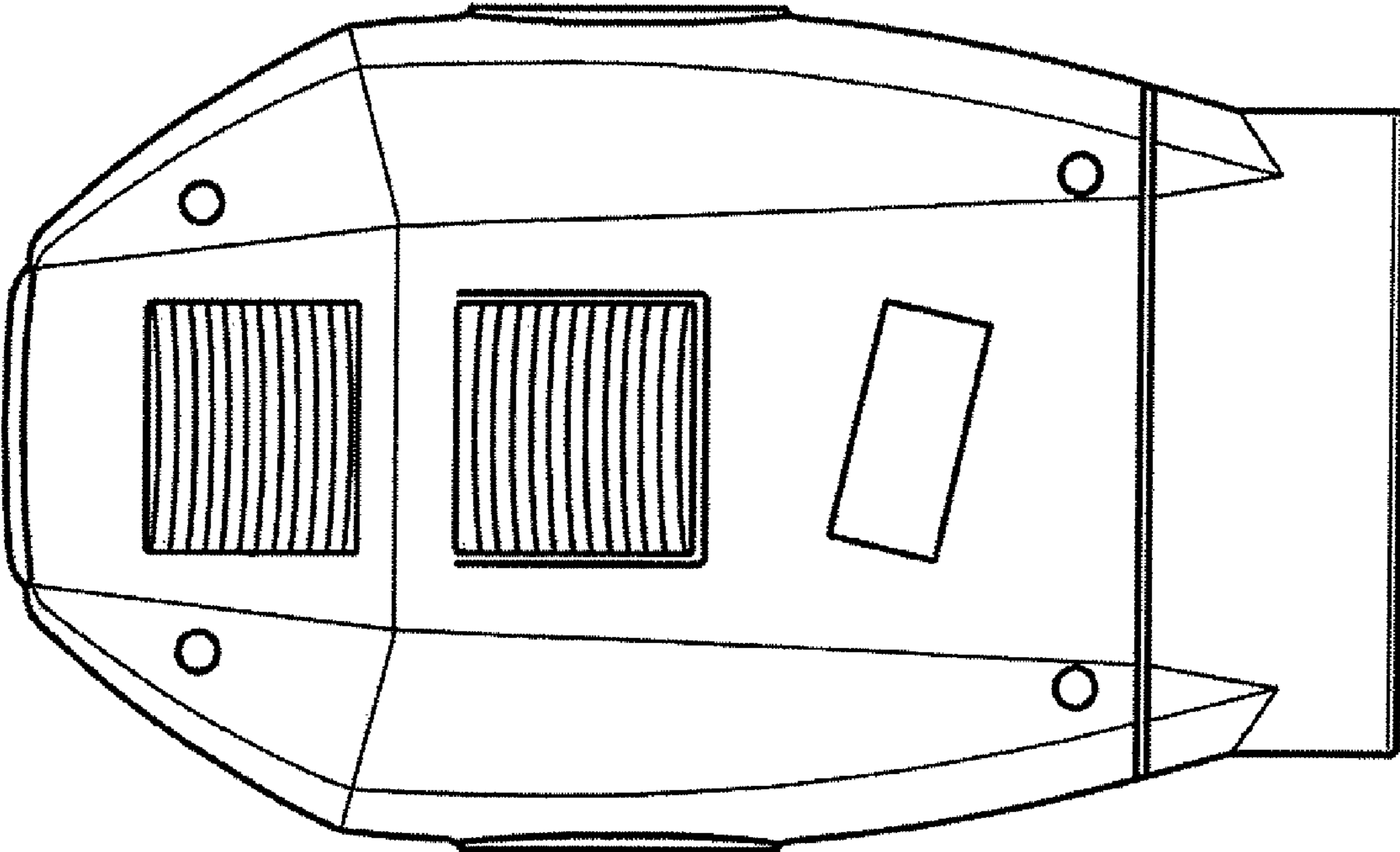


FIG. 7

