

US00D605338S

(12) **United States Design Patent**
Salman

(10) **Patent No.:** **US D605,338 S**
(45) **Date of Patent:** **** Dec. 1, 2009**

(54) **LIGHTING FIXTURE**

(75) Inventor: **Utkan Salman**, Oakland, CA (US)

(73) Assignee: **Acuity Brands, Inc.**, Atlanta, GA (US)

(**) Term: **14 Years**

(21) Appl. No.: **29/331,878**

(22) Filed: **Feb. 3, 2009**

Related U.S. Application Data

(62) Division of application No. 29/268,046, filed on Oct. 26, 2006, now Pat. No. Des. 586,032.

(51) **LOC (9) Cl.** **26-99**

(52) **U.S. Cl.** **D26/113**

(58) **Field of Classification Search** D26/2,
D26/77, 113, 128, 118, 81, 144, 138, 155,
D26/121, 24, 37, 40, 42, 46, 49, 56, 60, 67,
D26/71, 72, 74, 75, 76, 78, 80, 83, 85, 119,
D26/120, 122, 140, 142, 143, 145, 150, 153,
D26/154; D6/300, 301, 314, 313, 312, 310;
362/354, 342, 291, 290, 615, 632, 633, 147,
362/219, 223, 217.1, 217.11, 217.15, 364,
362/367, 370, 416

See application file for complete search history.

(56) **References Cited**

U.S. PATENT DOCUMENTS

- D106,873 S * 11/1937 Stewart D26/24
- D110,165 S * 6/1938 Arenberg D26/85
- 3,829,677 A * 8/1974 DeLlano 362/346
- 4,652,983 A * 3/1987 Mytels 362/220

- 4,799,134 A * 1/1989 Pinch et al. 362/320
- D300,953 S * 5/1989 Hughes et al. D26/78
- D362,315 S * 9/1995 Herst et al. D26/76
- D363,805 S * 10/1995 Cole, Jr. D26/76
- D464,161 S * 10/2002 Nourishad D26/78
- D480,168 S * 9/2003 Herst et al. D26/77
- 6,709,131 B1 * 3/2004 Herst et al. 362/223

* cited by examiner

Primary Examiner—Cathron C Brooks

Assistant Examiner—Kevin K Rudzinski

(74) *Attorney, Agent, or Firm*—Donald L. Beeson; Beeson Skinner Beverly, LLP

(57) **CLAIM**

The ornamental design for a lighting fixture, as shown and described.

DESCRIPTION

FIG. 1 is a bottom perspective view of a lighting fixture showing my new design;

FIG. 2 is a top perspective view thereof;

FIG. 3 is an enlarged bottom plan view thereof;

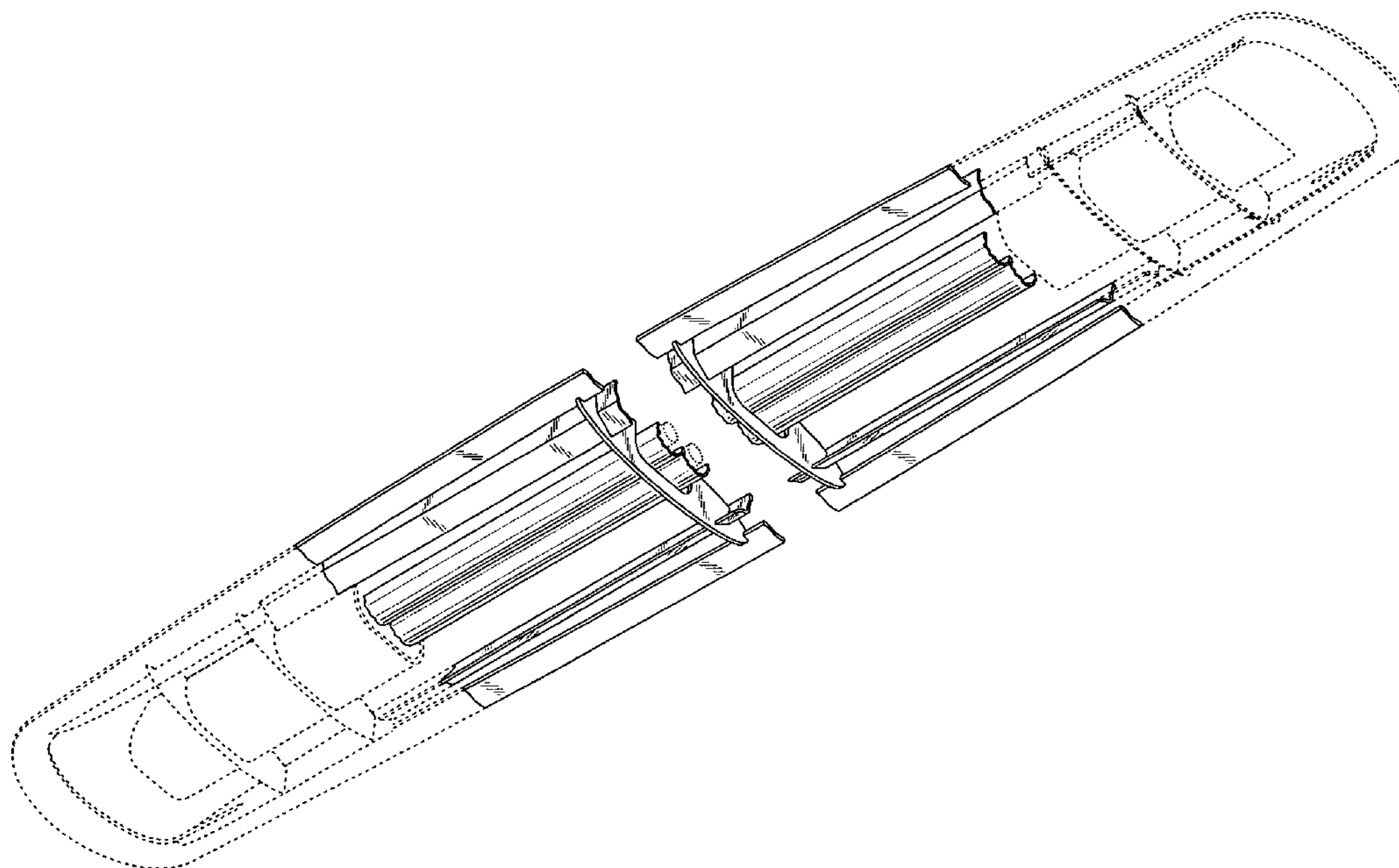
FIG. 4 is an enlarged top plan view thereof;

FIG. 5 is an enlarged side elevational view thereof, the other side being a mirror image; and,

FIG. 6 is an enlarged end elevational view thereof.

FIGS. 1–5 are broken away to indicate that the length of the design is non-specified. The broken lines shown in FIGS. 1 and 2 are for illustrative purposes only and form no part of the claimed design.

1 Claim, 4 Drawing Sheets



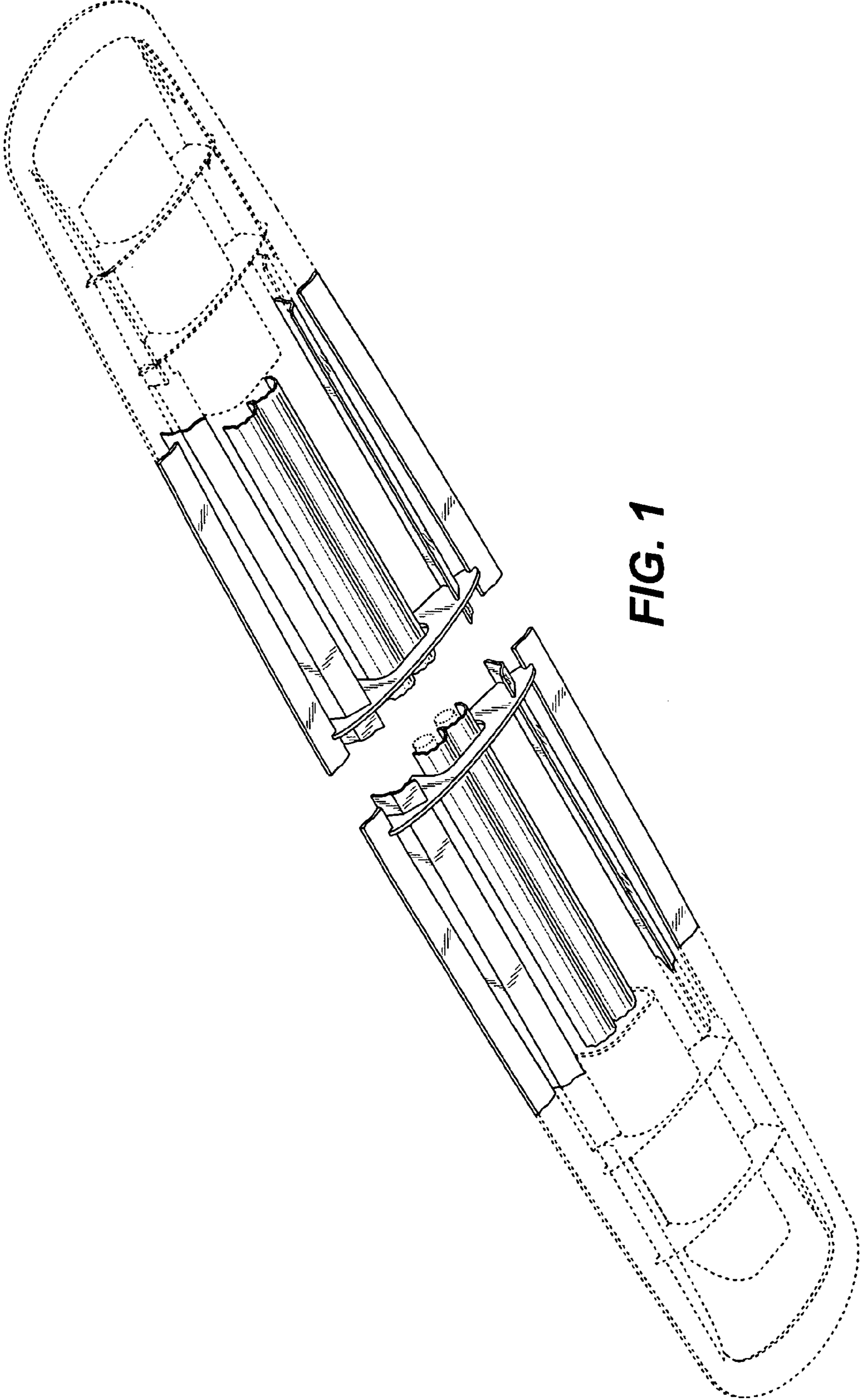


FIG. 1

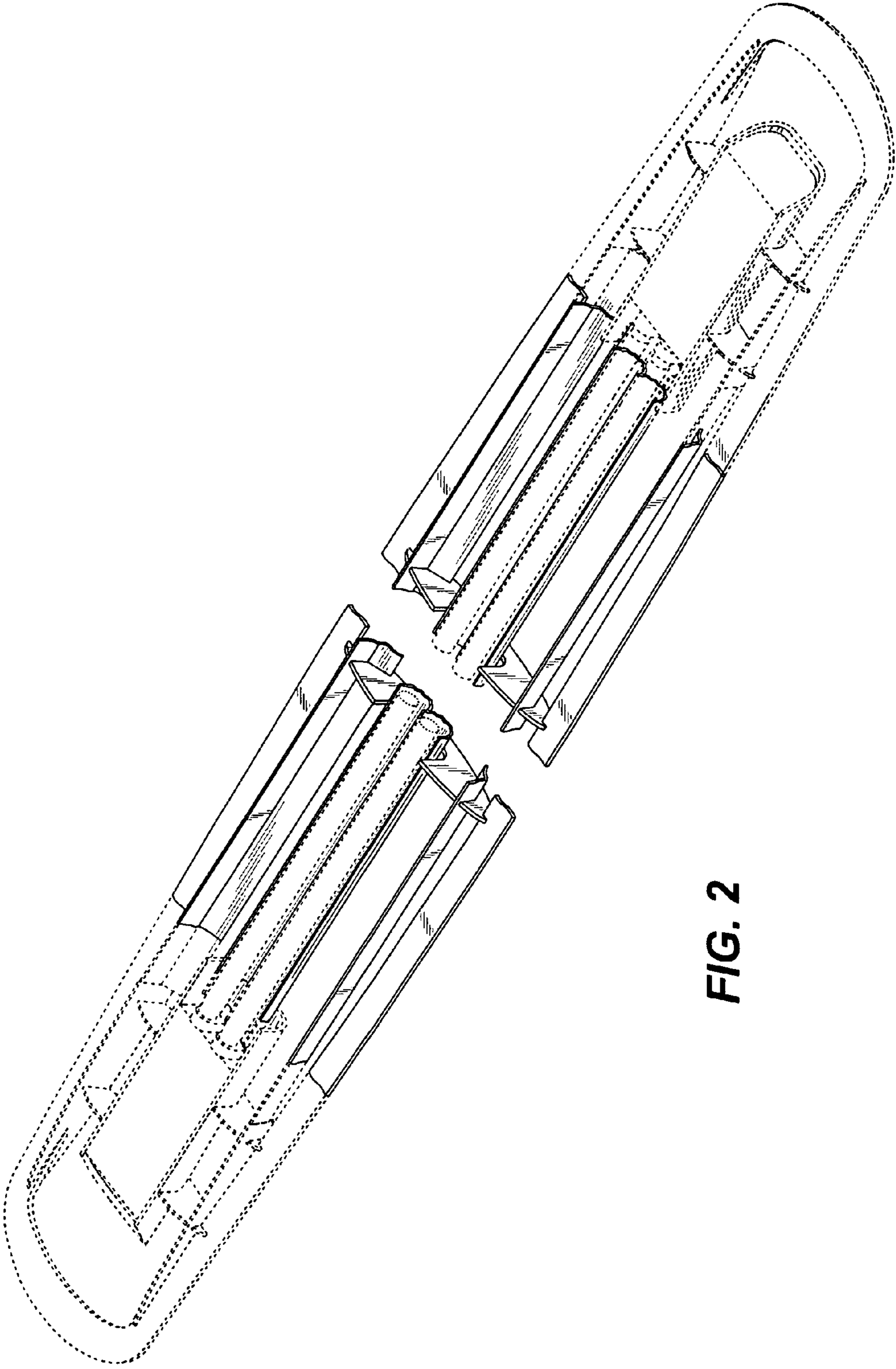


FIG. 2

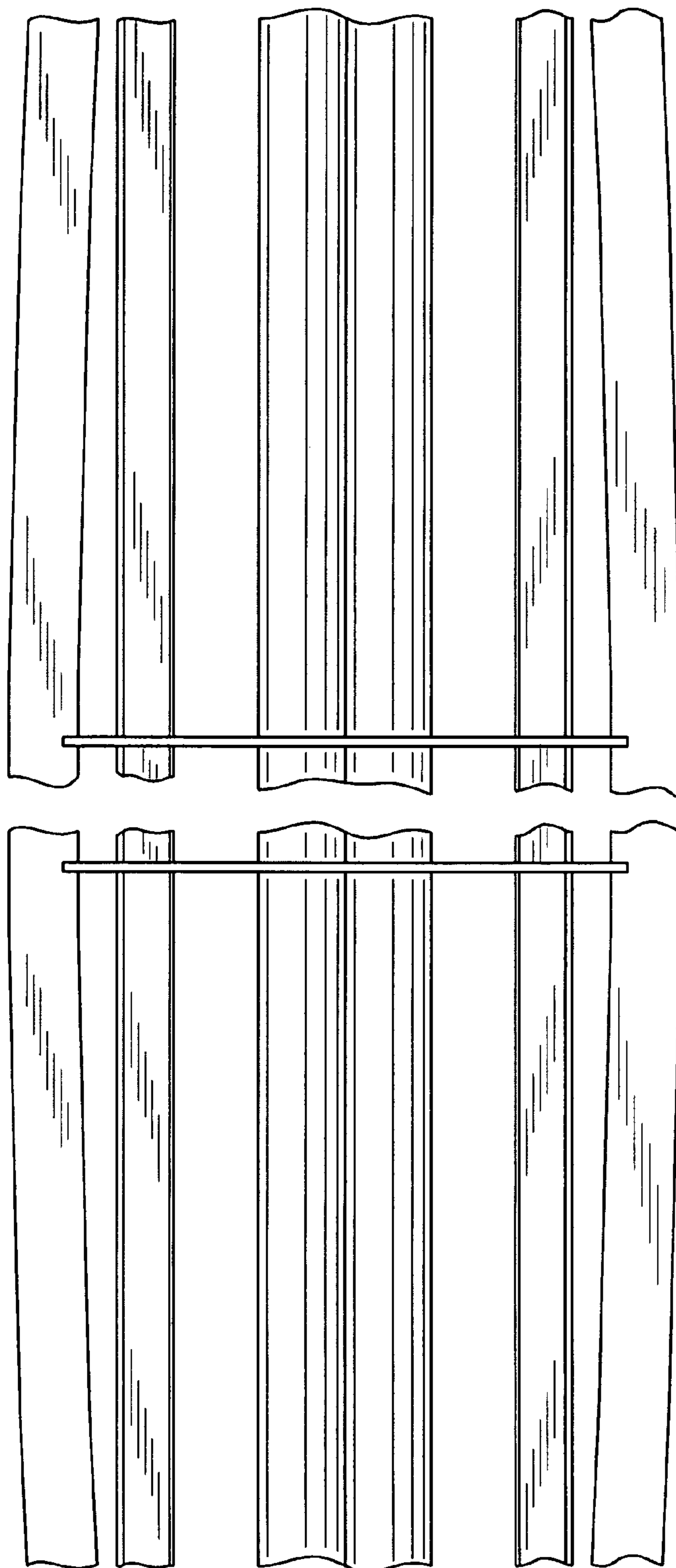


FIG. 3

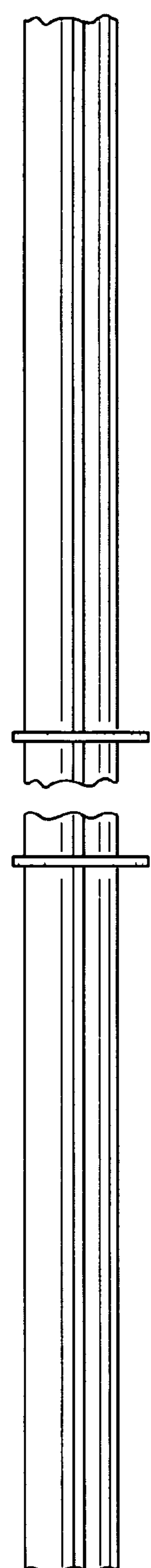


FIG. 5

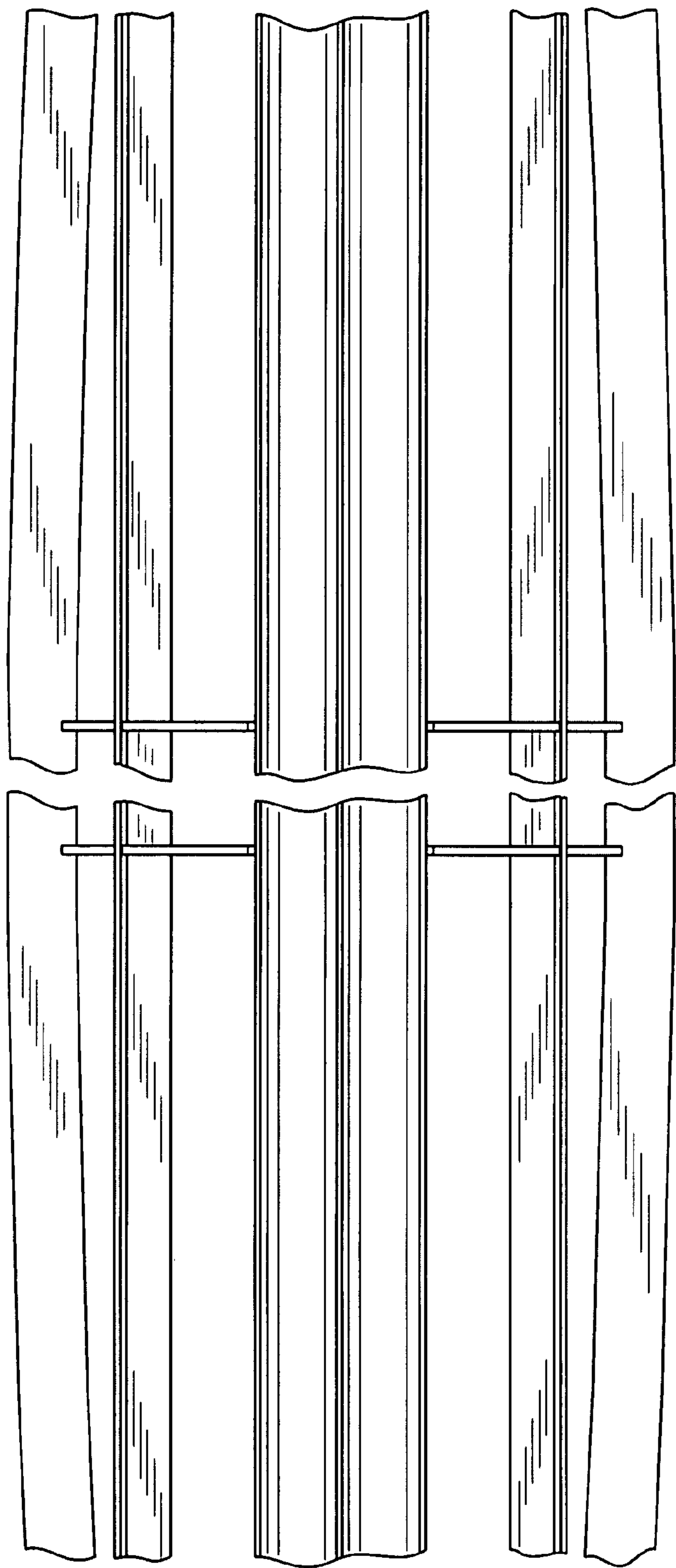


FIG. 4

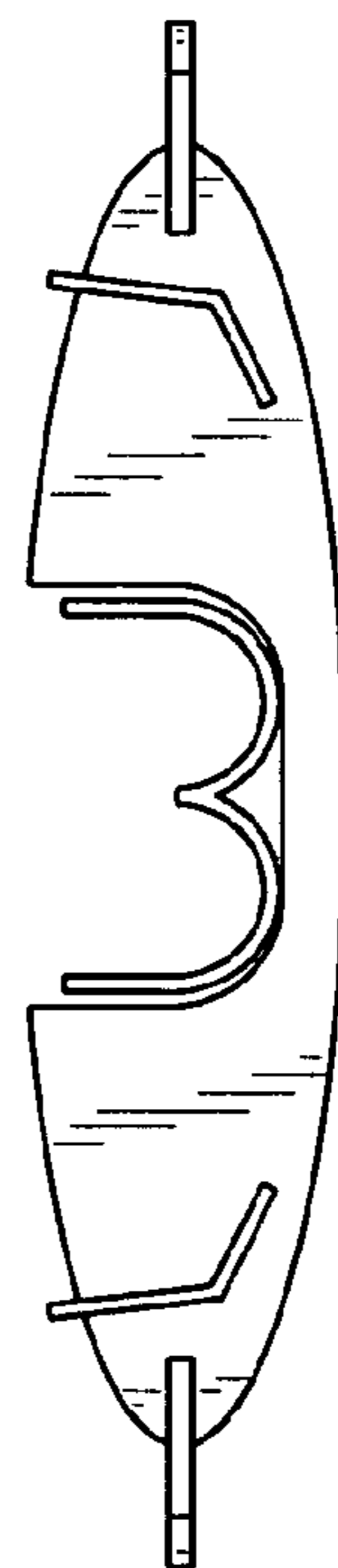


FIG. 6