



US00D605336S

(12) **United States Design Patent**
Miranda

(10) **Patent No.:** **US D605,336 S**

(45) **Date of Patent:** **** Dec. 1, 2009**

(54) **LIGHTING FIXTURE**

(76) **Inventor:** **Pasquale Miranda**, 63- 2nd St., Garden City, NY (US) 11530

(**) **Term:** **14 Years**

(21) **Appl. No.:** **29/315,222**

(22) **Filed:** **Jun. 5, 2009**

(51) **LOC (9) Cl.** **26-03**

(52) **U.S. Cl.** **D26/90; D26/91**

(58) **Field of Classification Search** **D26/59, D26/72, 80-91, 128; 362/147, 404, 453-456**
See application file for complete search history.

(56) **References Cited**

U.S. PATENT DOCUMENTS

D86,313 S *	2/1932	Hollister	D26/88
2,195,154 A *	3/1940	Scott	362/225
D155,680 S *	10/1949	Baker	D26/86
D169,999 S *	7/1953	Ainsworth	D26/78
D481,484 S *	10/2003	Cuevas et al.	D26/84
D499,201 S *	11/2004	Parres	D26/90
D525,385 S *	7/2006	Waycaster et al.	D26/80
D536,468 S *	2/2007	Crosby	D26/84
D558,912 S *	1/2008	Crosby	D26/88
D584,440 S *	1/2009	Allen	D26/91
D596,784 S *	7/2009	Silver	D26/91

OTHER PUBLICATIONS

Midland Crafts Series pendant model #CP4810-OBRZ-BMAT from p. 337 of the Visa Lighting Catalog 2009. Downloaded from visalighting.com Sep. 13, 2009.*

Fisher Island 3 Lite Pendant from Forecast Lighting. Downloaded from LBCLighting.com Sep. 20, 2007.*

Garbo Ceiling Fixture Model #C-SQ-12-F1-SN from Edge Lighting. Downloaded from edgelighting.com Sep. 13, 2009.*

* cited by examiner

Primary Examiner—Clare E Heflin

(57) **CLAIM**

The ornamental design for a lighting fixture, as shown and described.

DESCRIPTION

FIG. 1 is a perspective view of a lighting fixture showing my new design;

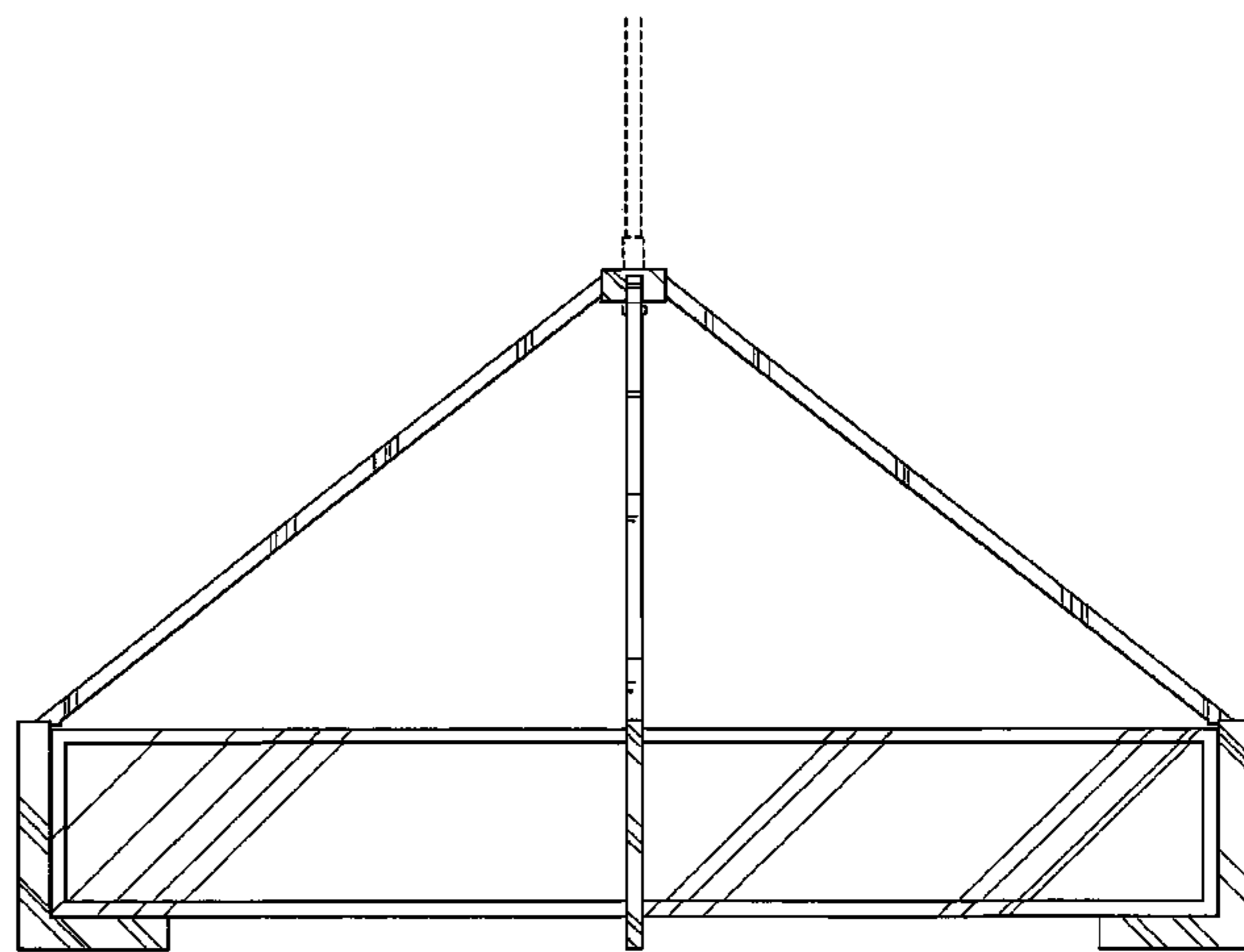
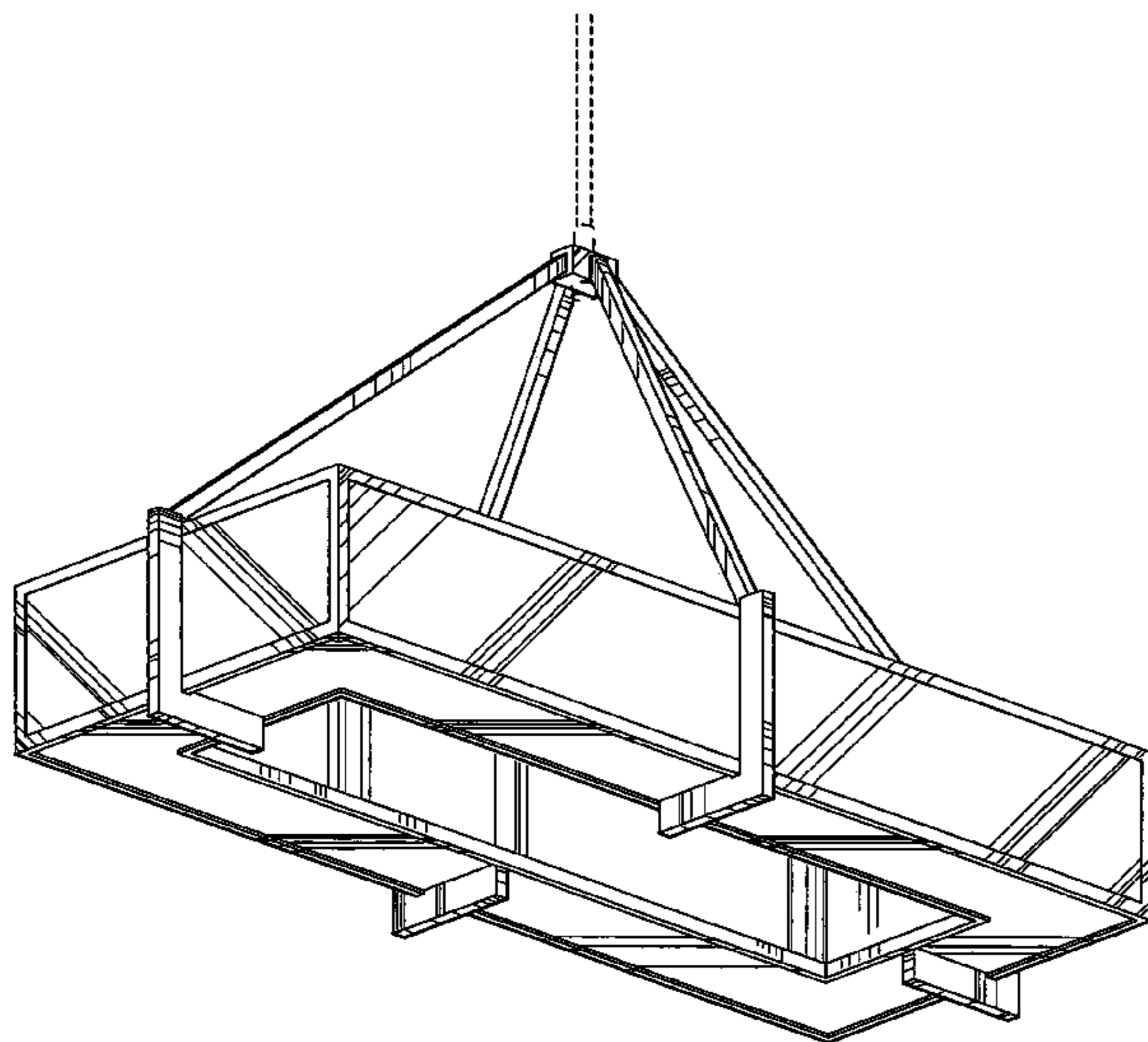
FIG. 2 is a front elevational view thereof, the rear elevational view being a mirror image;

FIG. 3 is a side elevational view thereof, the opposite elevational view being a mirror image; and,

FIG. 4 is a top plan view thereof.

The broken-line showing of environmental structures in FIGS. 1-4 is for illustrative purposes only and forms no part of the claimed design.

1 Claim, 4 Drawing Sheets



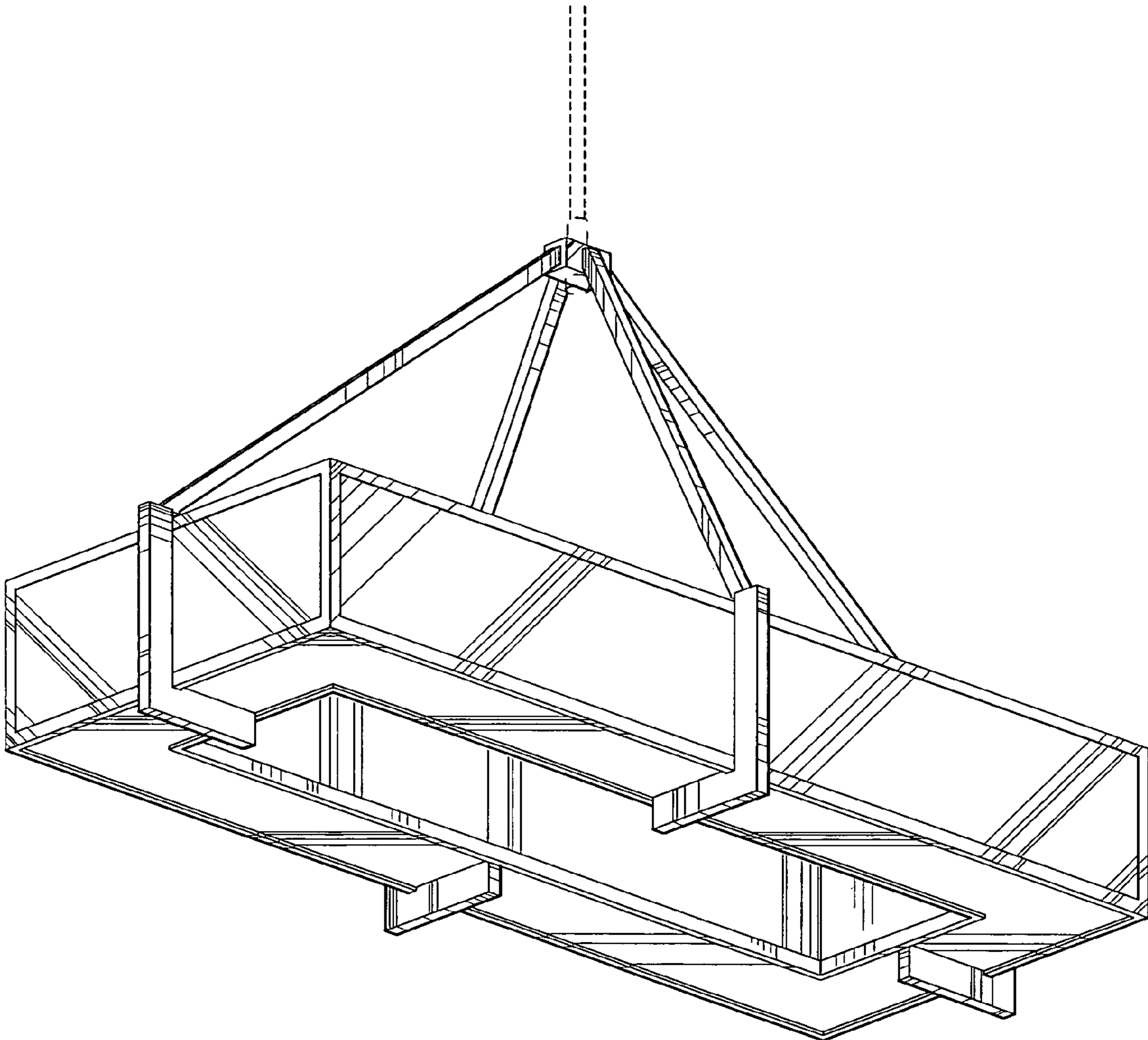


FIG. 1

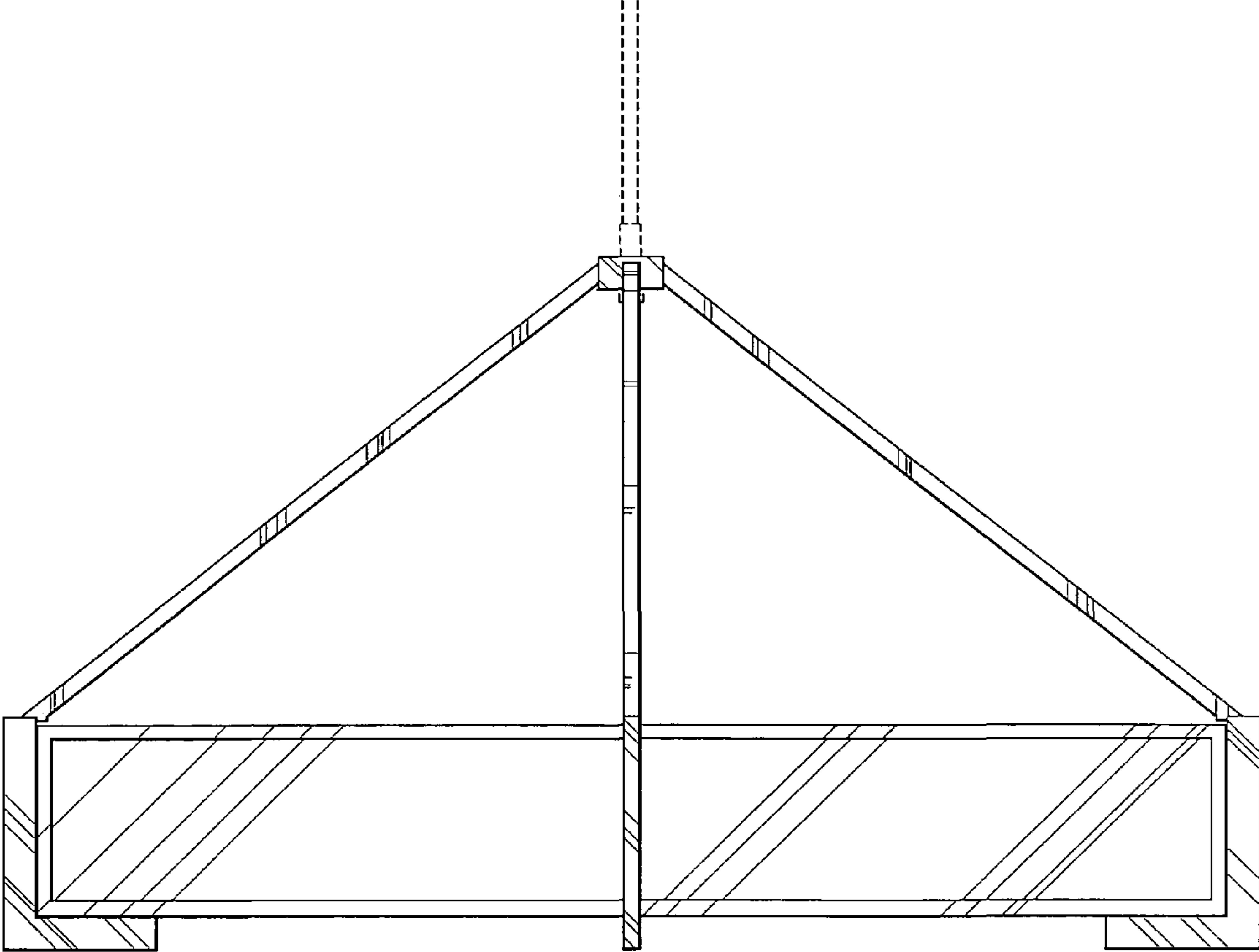


FIG. 2

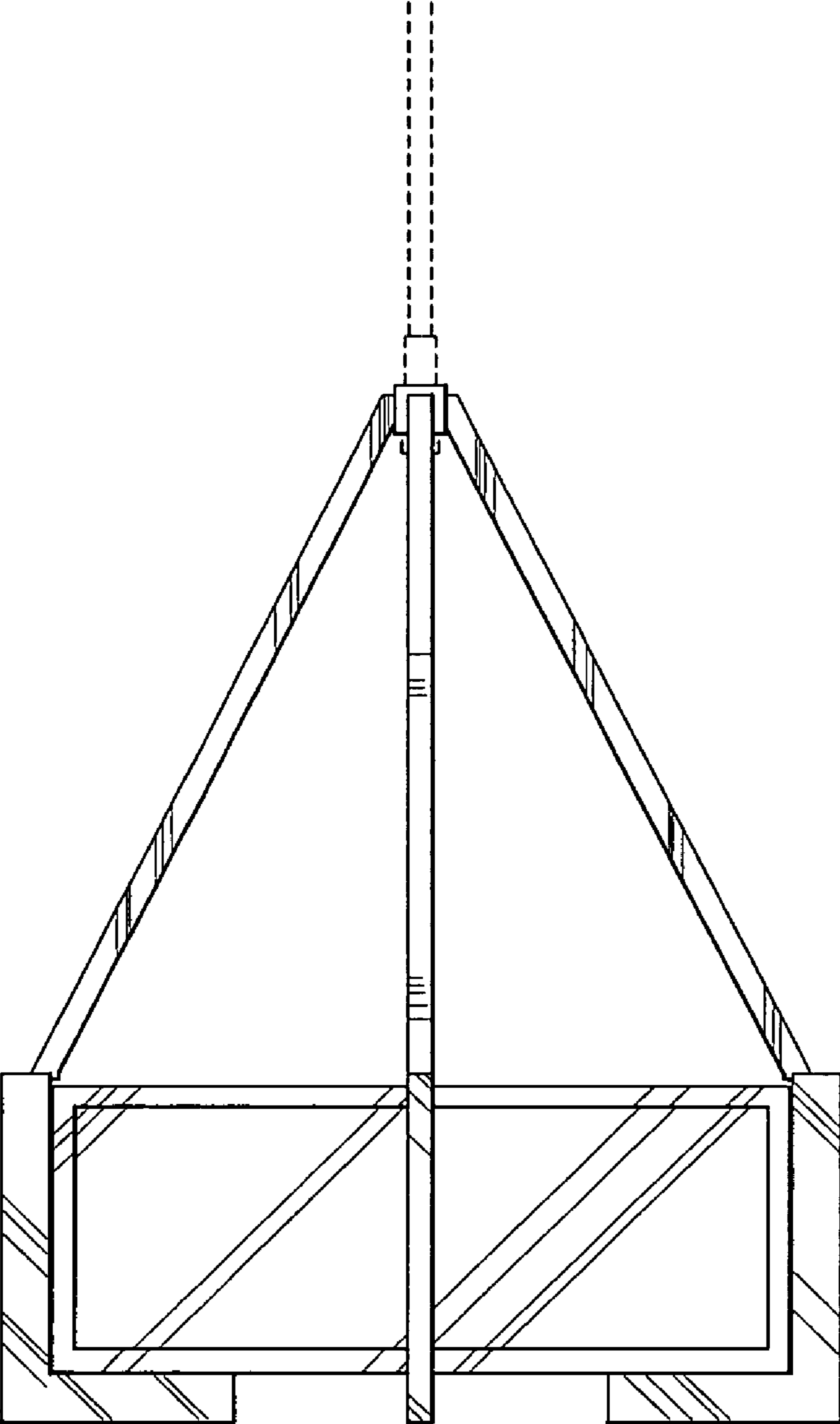


FIG. 3

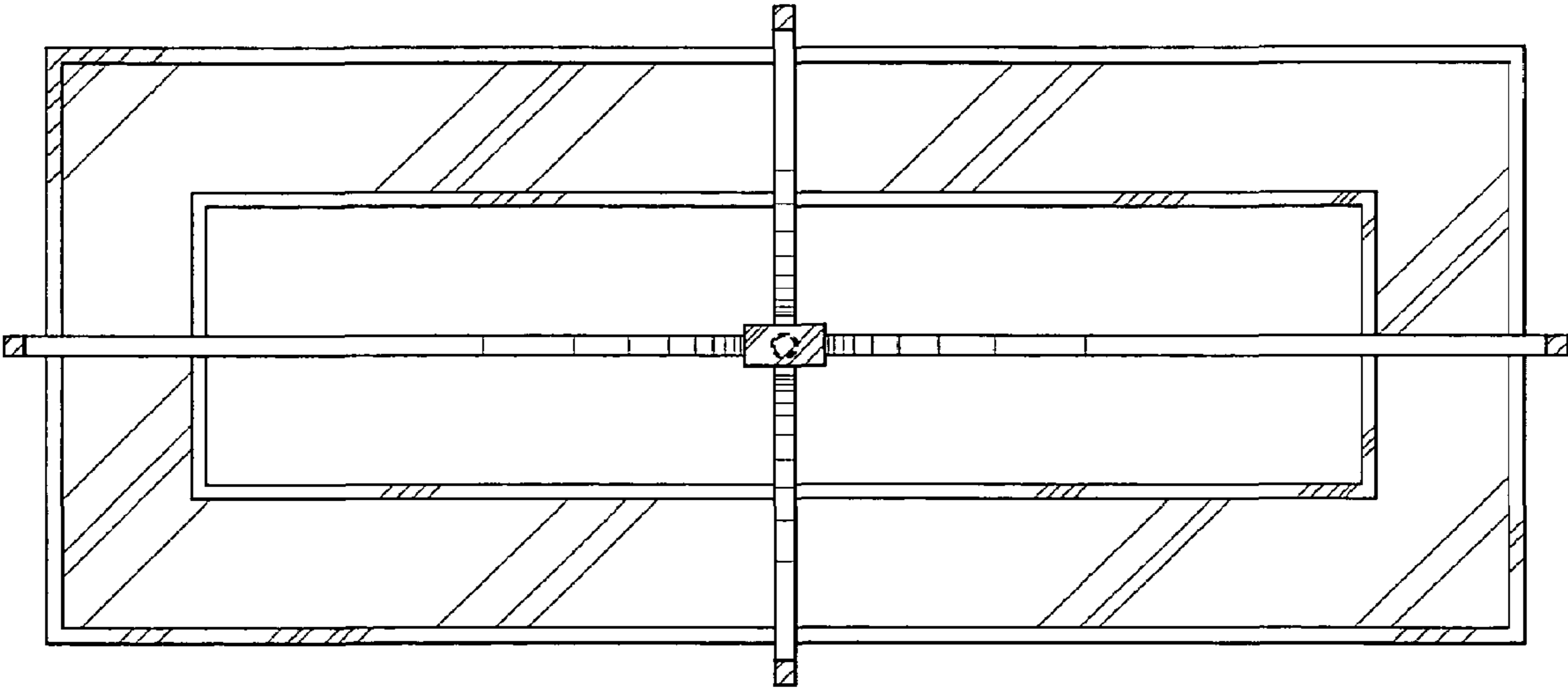


FIG. 4