



US00D605332S

(12) **United States Design Patent**
Miranda

(10) **Patent No.:** **US D605,332 S**
(45) **Date of Patent:** **** Dec. 1, 2009**

(54) **LIGHTING FIXTURE**

(76) Inventor: **Pasquale Miranda**, 63- 2nd St., Garden City, NY (US) 10454

(**) Term: **14 Years**

(21) Appl. No.: **29/315,221**

(22) Filed: **Jun. 5, 2009**

(51) **LOC (9) Cl.** **26-03**

(52) **U.S. Cl.** **D26/88; D26/90**

(58) **Field of Classification Search** D26/59,
D26/72, 80-91, 128; 362/147, 404, 453-456
See application file for complete search history.

(56) **References Cited**

U.S. PATENT DOCUMENTS

D45,313 S *	2/1914	Schoenhardt	D26/88
1,090,795 A *	3/1914	Schoenhardt	362/355
D51,188 S *	8/1917	Snow	D26/88
D129,362 S *	9/1941	Pieper	D26/88
D167,080 S *	6/1952	Huegel	D26/88
D430,331 S *	8/2000	Bleisch	D26/91

D558,912 S *	1/2008	Crosby	D26/88
D578,700 S *	10/2008	Chen	D26/81

OTHER PUBLICATIONS

Fisher Island 3 Lite Pendant by Forecast Lighting. Downloaded from LBCLighting.com Sep. 20, 2007.*

* cited by examiner

Primary Examiner—Clare E Heflin

(57) **CLAIM**

The ornamental design for a lighting fixture, as shown and described.

DESCRIPTION

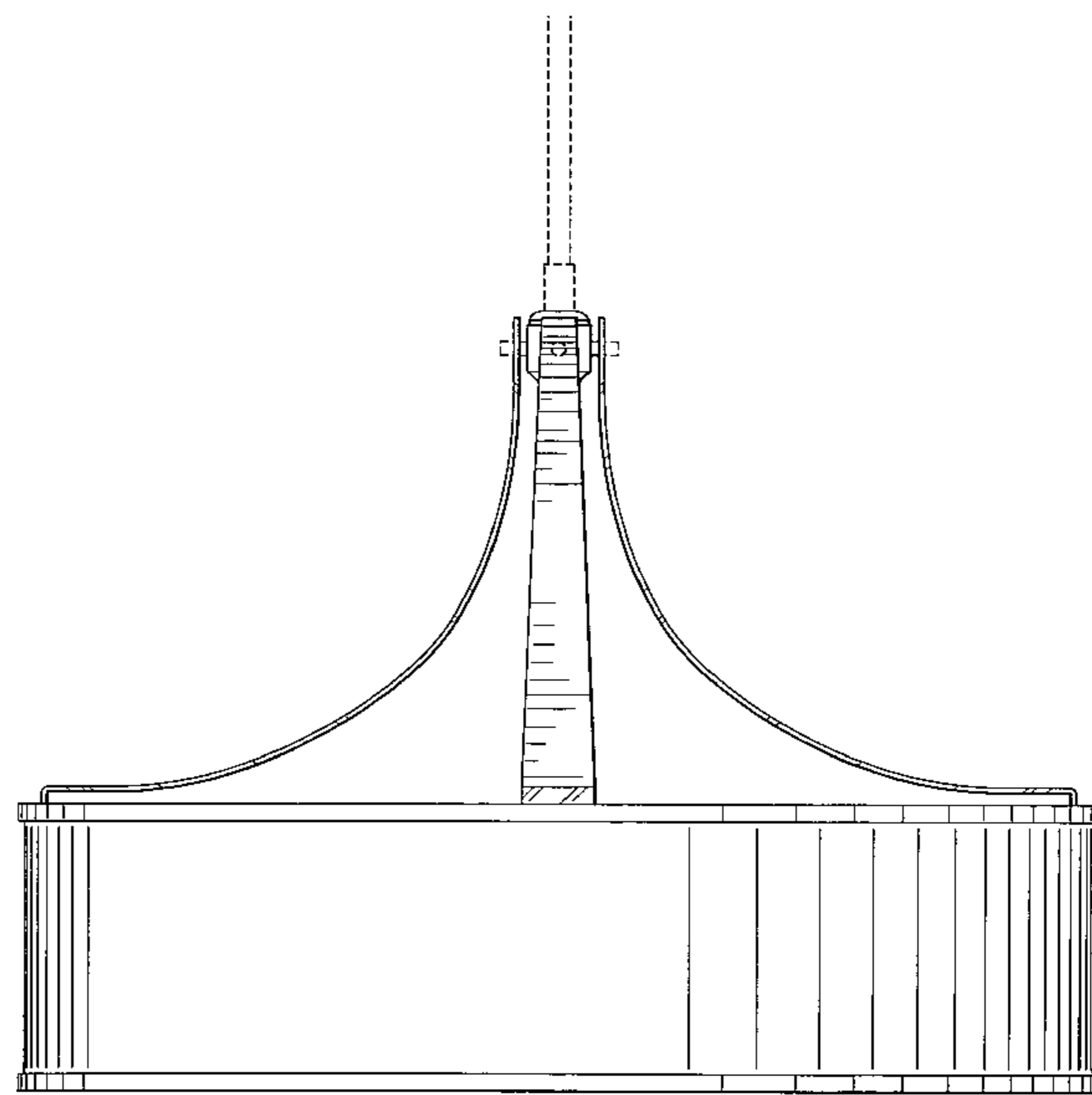
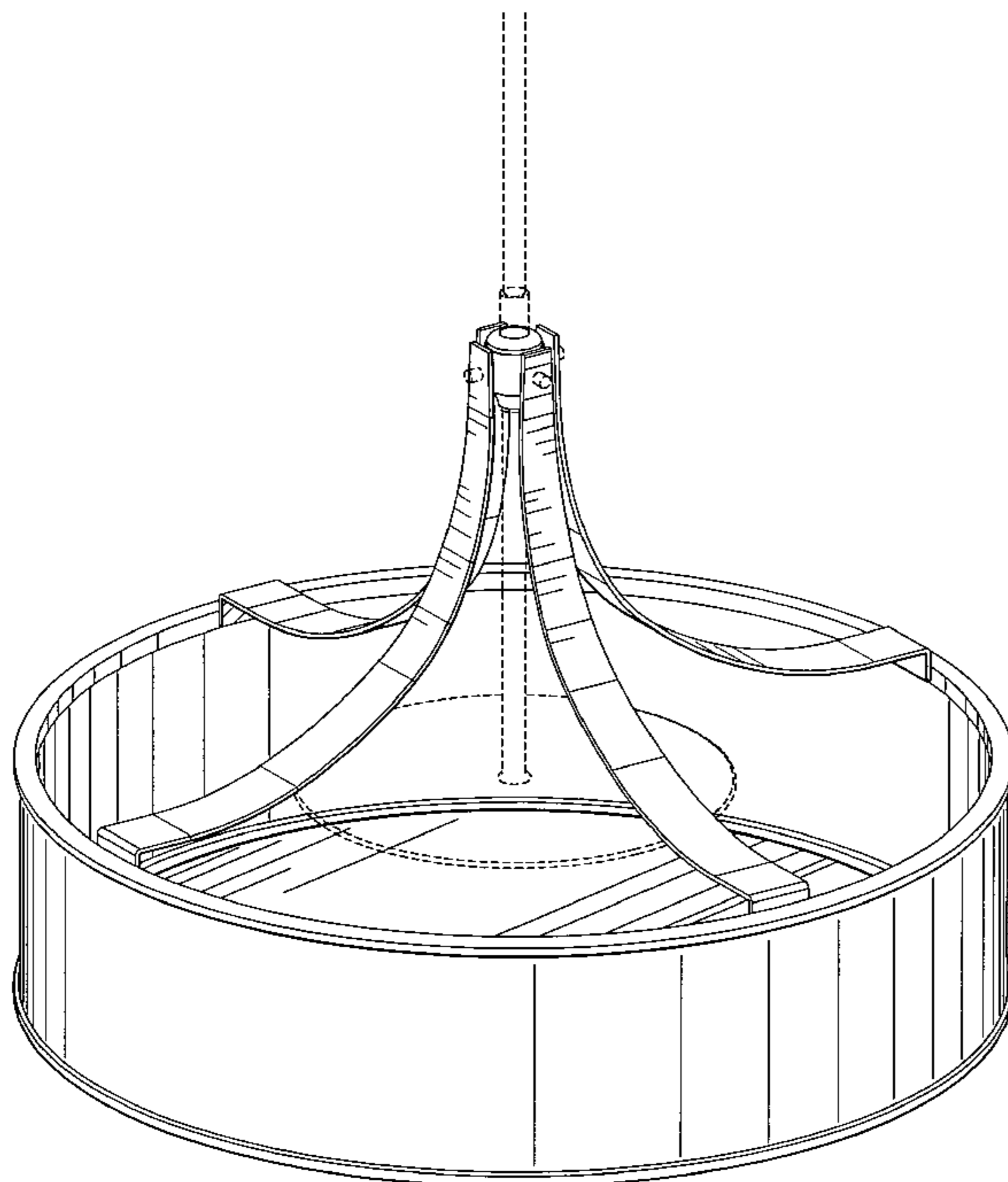
FIG. 1 is a perspective view of a lighting fixture showing my new design;

FIG. 2 is a front elevational view thereof; and,

FIG. 3 is a bottom plan view thereof.

The broken-line showing of environmental structures in FIGS. 1-3 is for illustrative purposes only and forms no part of the claimed design.

1 Claim, 3 Drawing Sheets



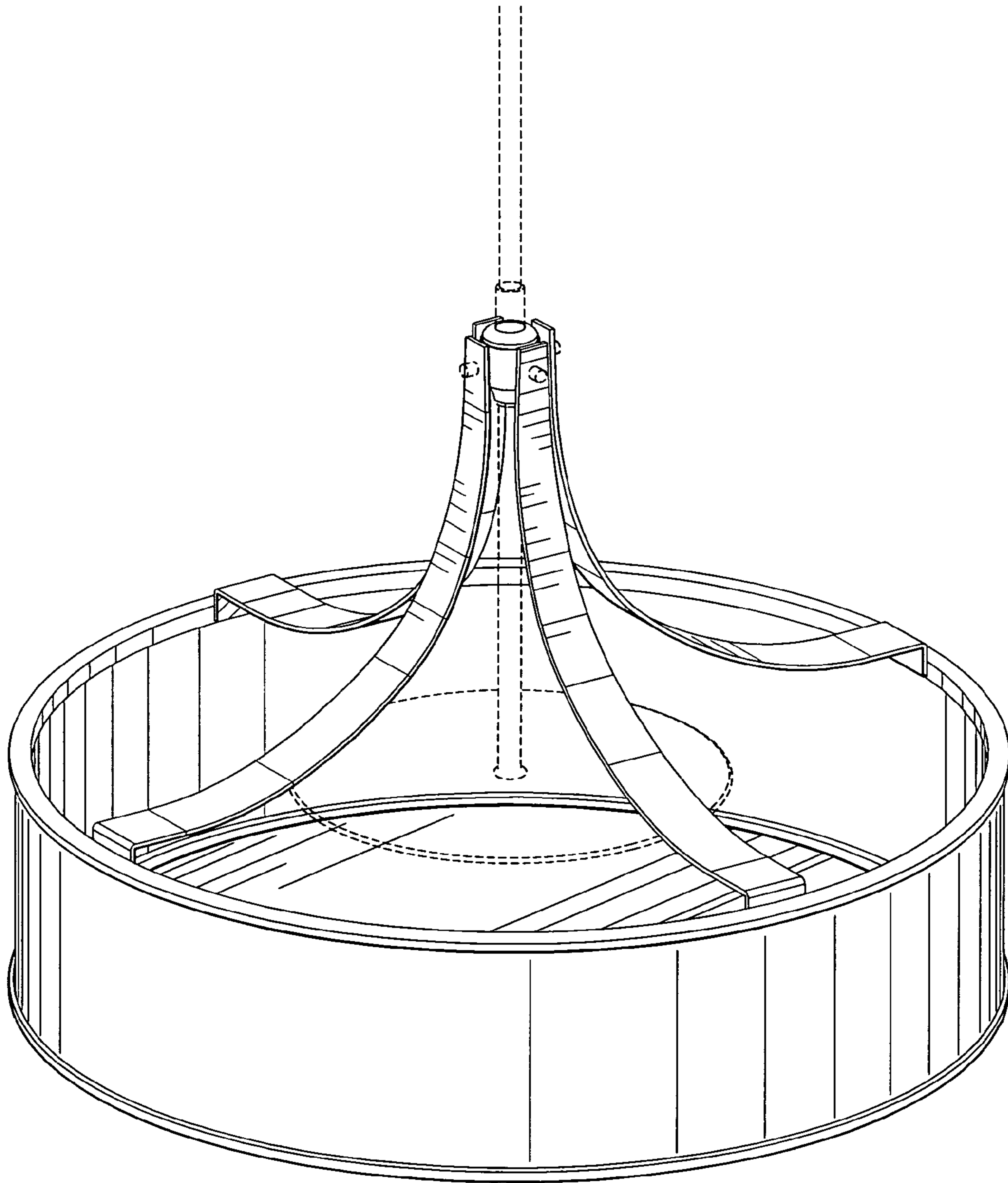


FIG. 1

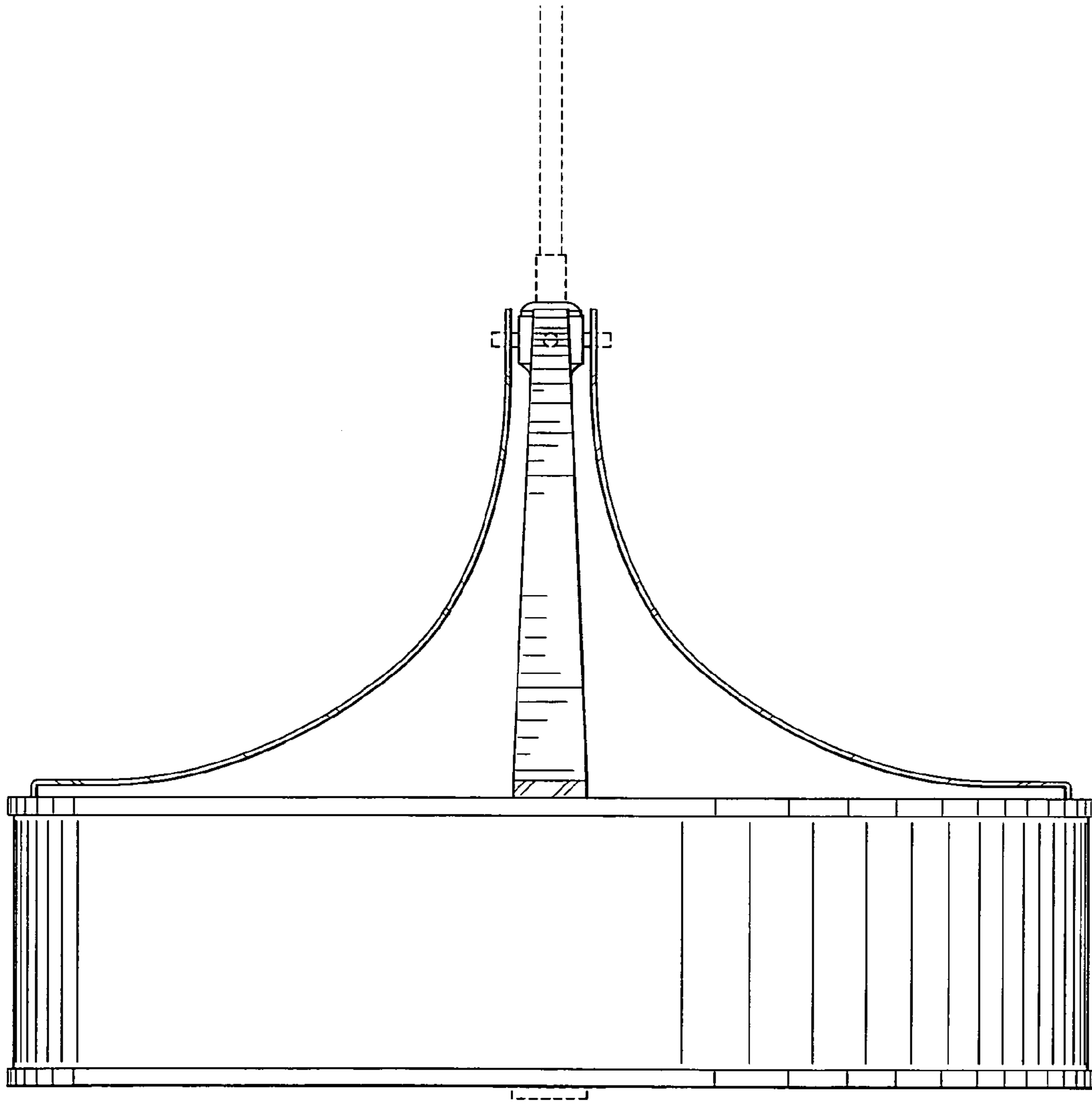


FIG. 2

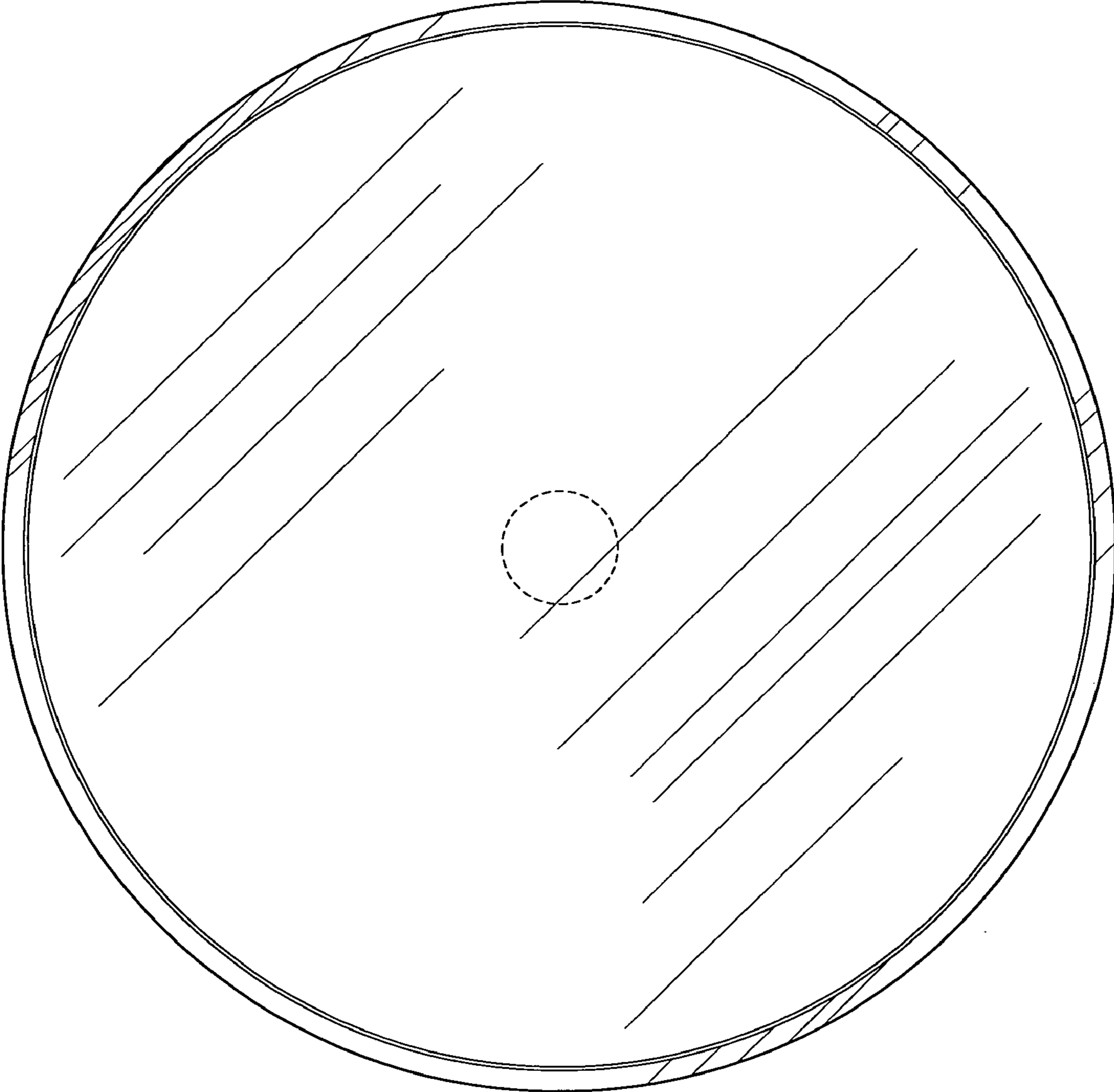


FIG. 3