

US00D605331S

(12) **United States Design Patent**
Miranda

(10) **Patent No.:** **US D605,331 S**
(45) **Date of Patent:** **** Dec. 1, 2009**

(54) **WALL LIGHTING FIXTURE**

D589,202 S * 3/2009 Sabernig D26/87

(76) **Inventor:** **Pasquale Miranda**, 63- 2nd St., Garden City, NY (US) 11530

(**) **Term:** **14 Years**

(21) **Appl. No.:** **29/315,235**

(22) **Filed:** **Jun. 5, 2009**

(51) **LOC (9) Cl.** **26-03**

(52) **U.S. Cl.** **D26/87**

(58) **Field of Classification Search** D26/72,
D26/85, 86, 87, 92; 362/147, 432
See application file for complete search history.

(56) **References Cited**

U.S. PATENT DOCUMENTS

1,416,664	A	*	5/1922	Healy et al.	362/432
D418,624	S	*	1/2000	Vanderbyl	D26/87
D442,728	S	*	5/2001	Littman	D26/87
D448,881	S	*	10/2001	Lin	D26/87
D514,246	S	*	1/2006	Hoernig	D26/87
D573,750	S	*	7/2008	Starck	D26/87
D576,767	S	*	9/2008	Gutkin	D26/145

OTHER PUBLICATIONS

“Flash” wall sconce model #E22028-18, shown on p. 194 of the ET2 Lighting 2007 Catalog. Back cover of catalog to show date © 2006.(2 pages).*

“Margo” on p. 40 and “Cluny” on p. 54 of the AF Lighting Catalog © 2007. Both designed by Candice Olson.(2 pages).*

“Chloe” on p. 63 and “Sahara” on p. 6 of the AF Lighting Catalog © 2007. Both designed by Candice Olson. (2 pages).*

* cited by examiner

Primary Examiner—Clare E Heflin

(57) **CLAIM**

The ornamental design for a wall lighting fixture, as shown.

DESCRIPTION

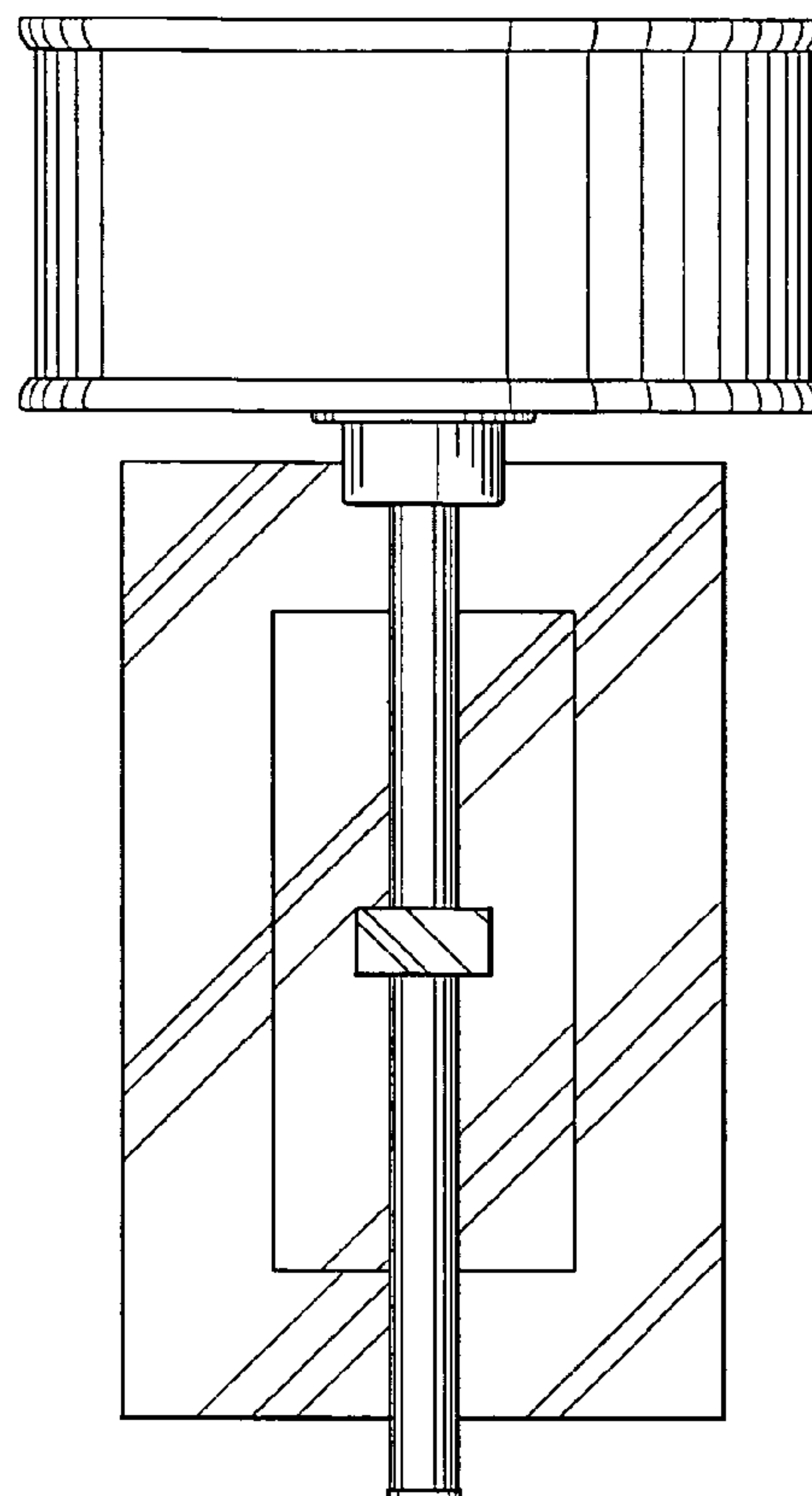
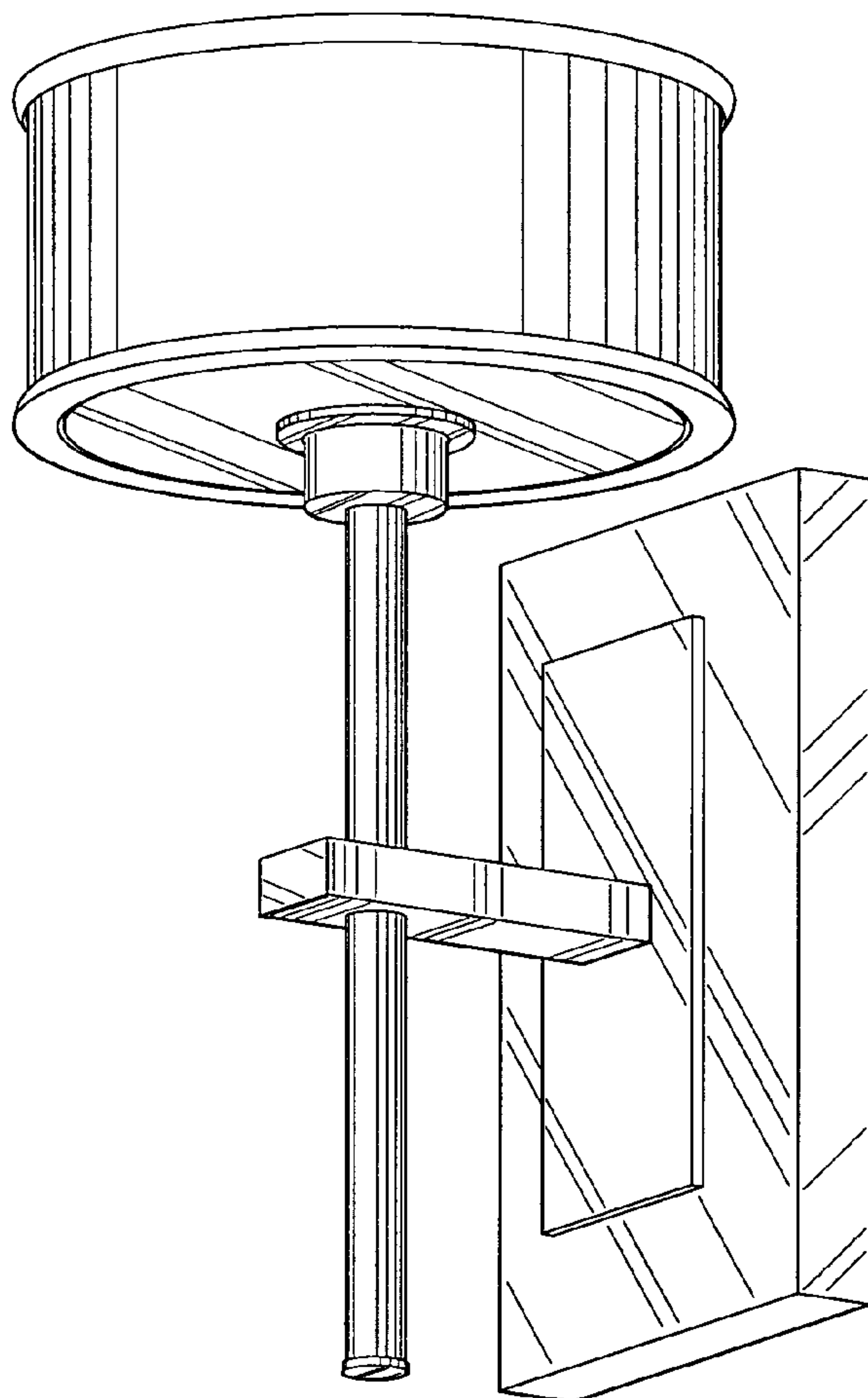
FIG. 1 is a perspective view of a wall lighting fixture showing my new design;

FIG. 2 is a front elevational view thereof;

FIG. 3 is a side elevational view thereof, the opposite elevational view being a mirror image; and,

FIG. 4 is a top plan view thereof.

1 Claim, 3 Drawing Sheets



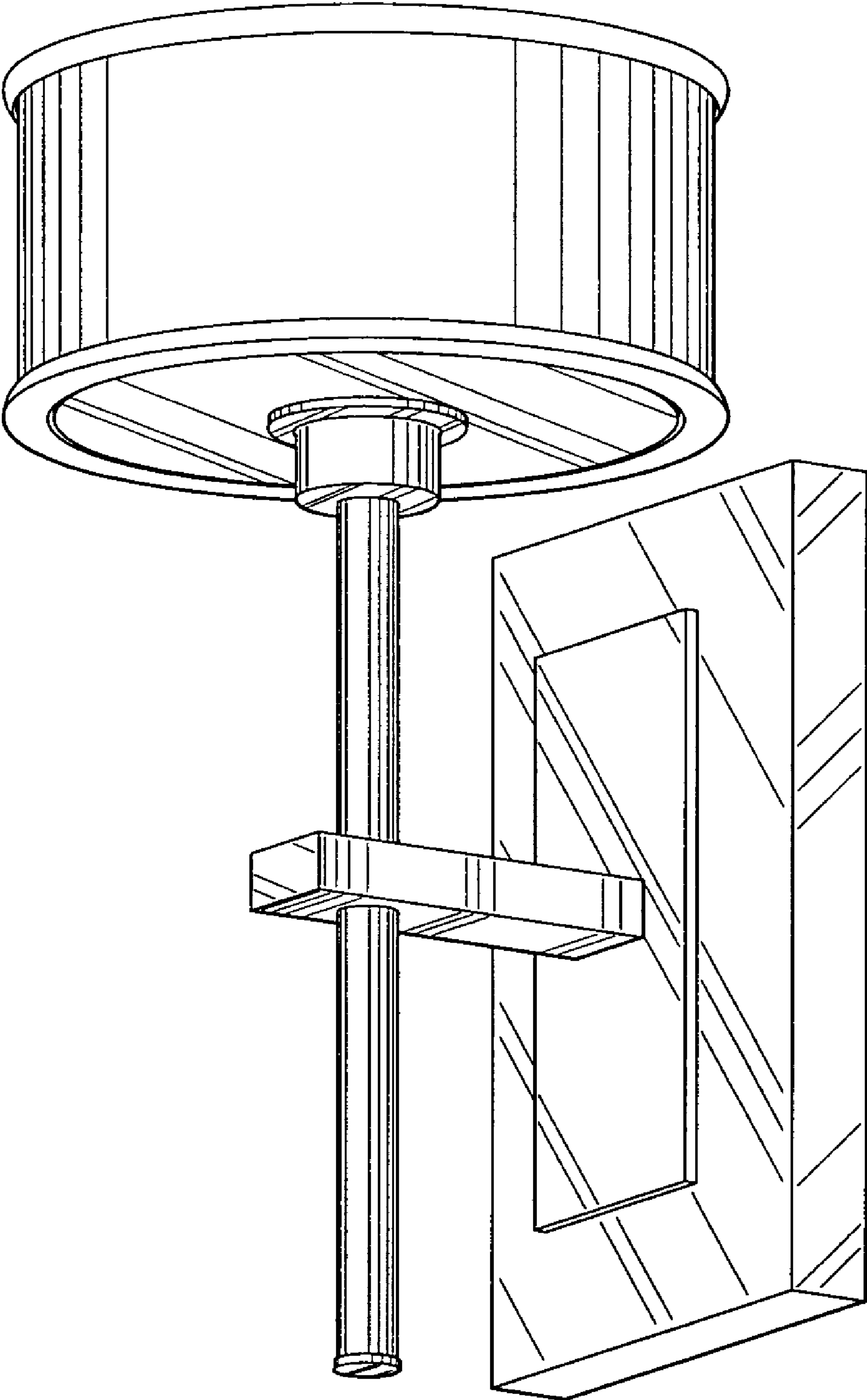


FIG. 1

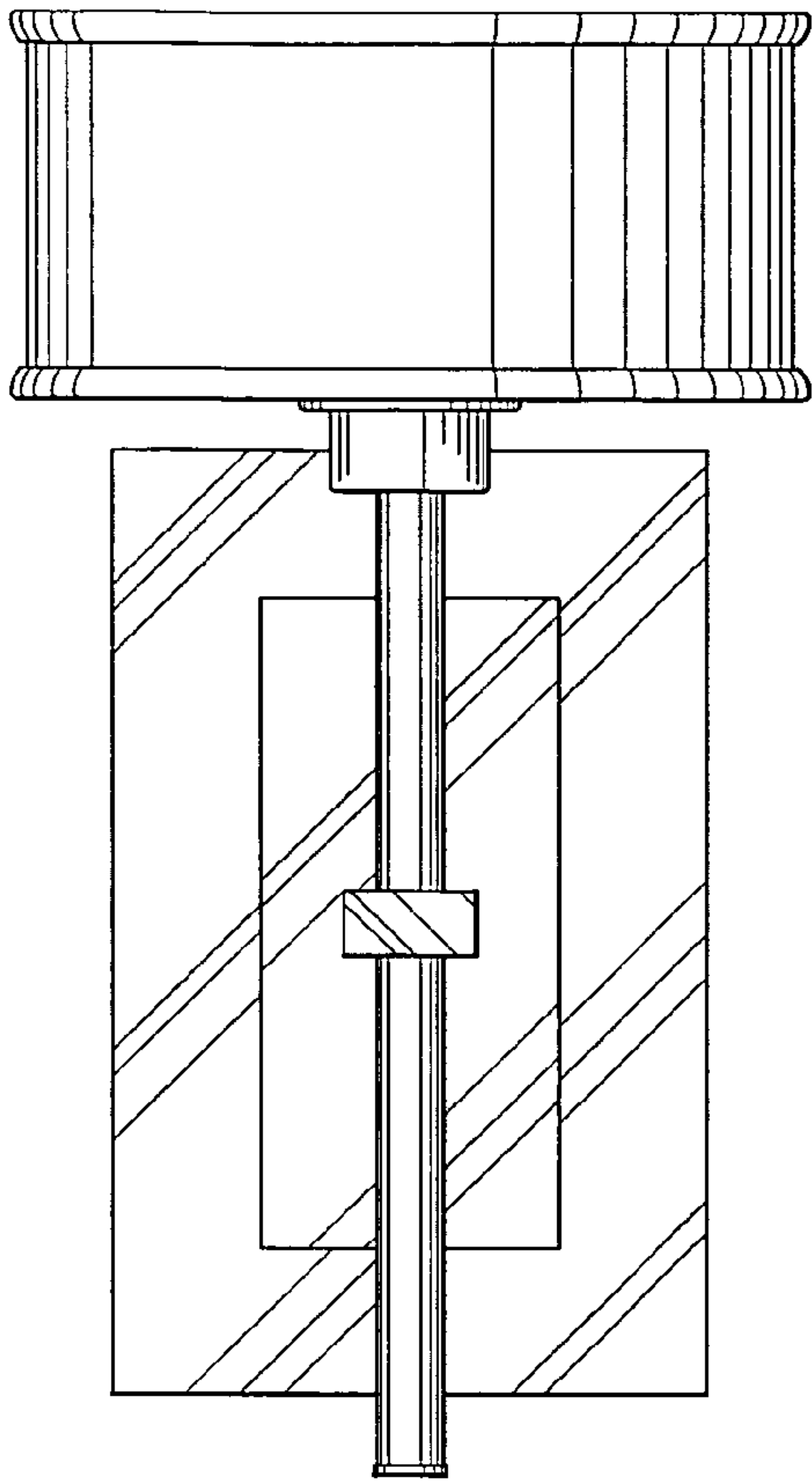


FIG. 2

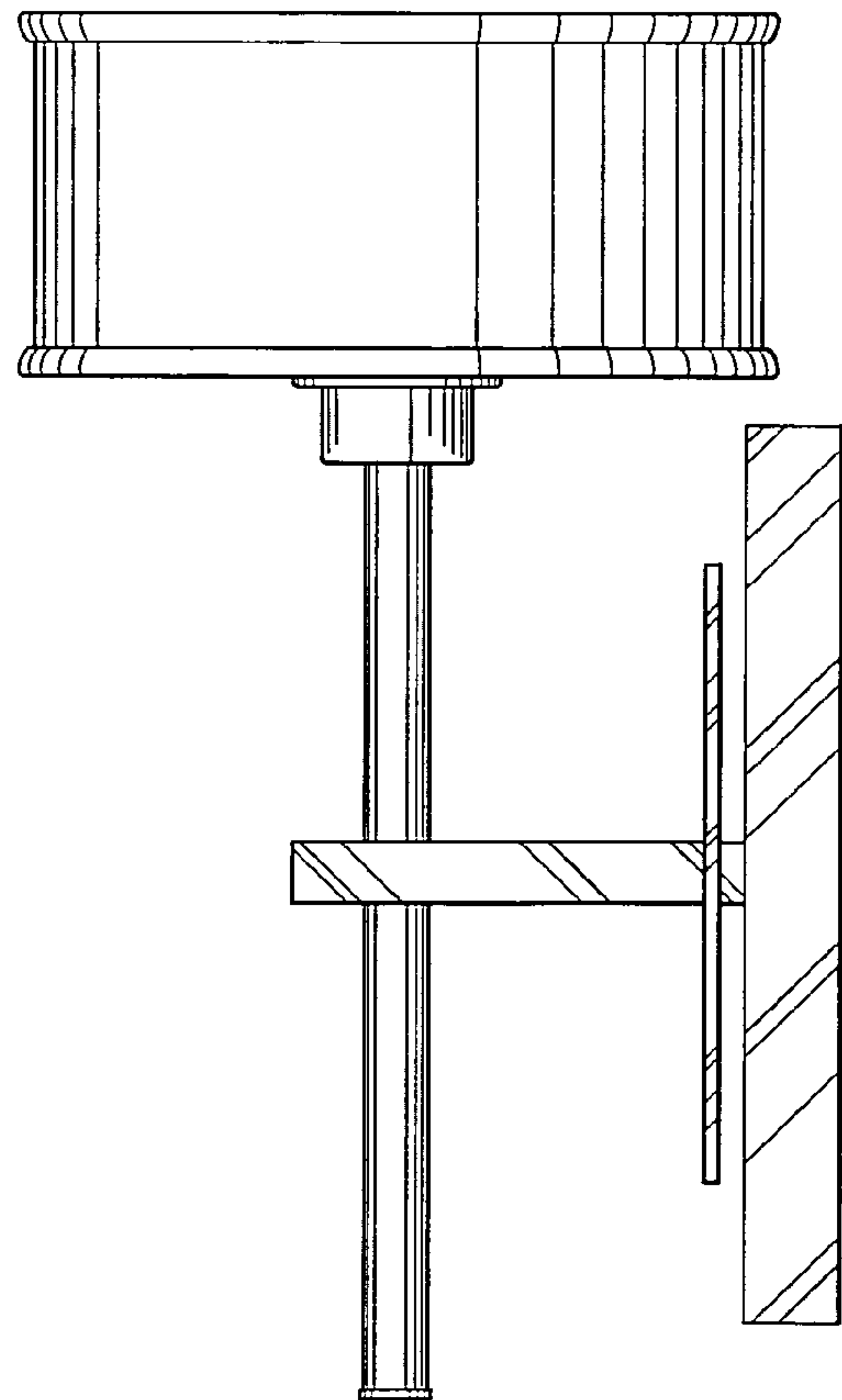


FIG. 3

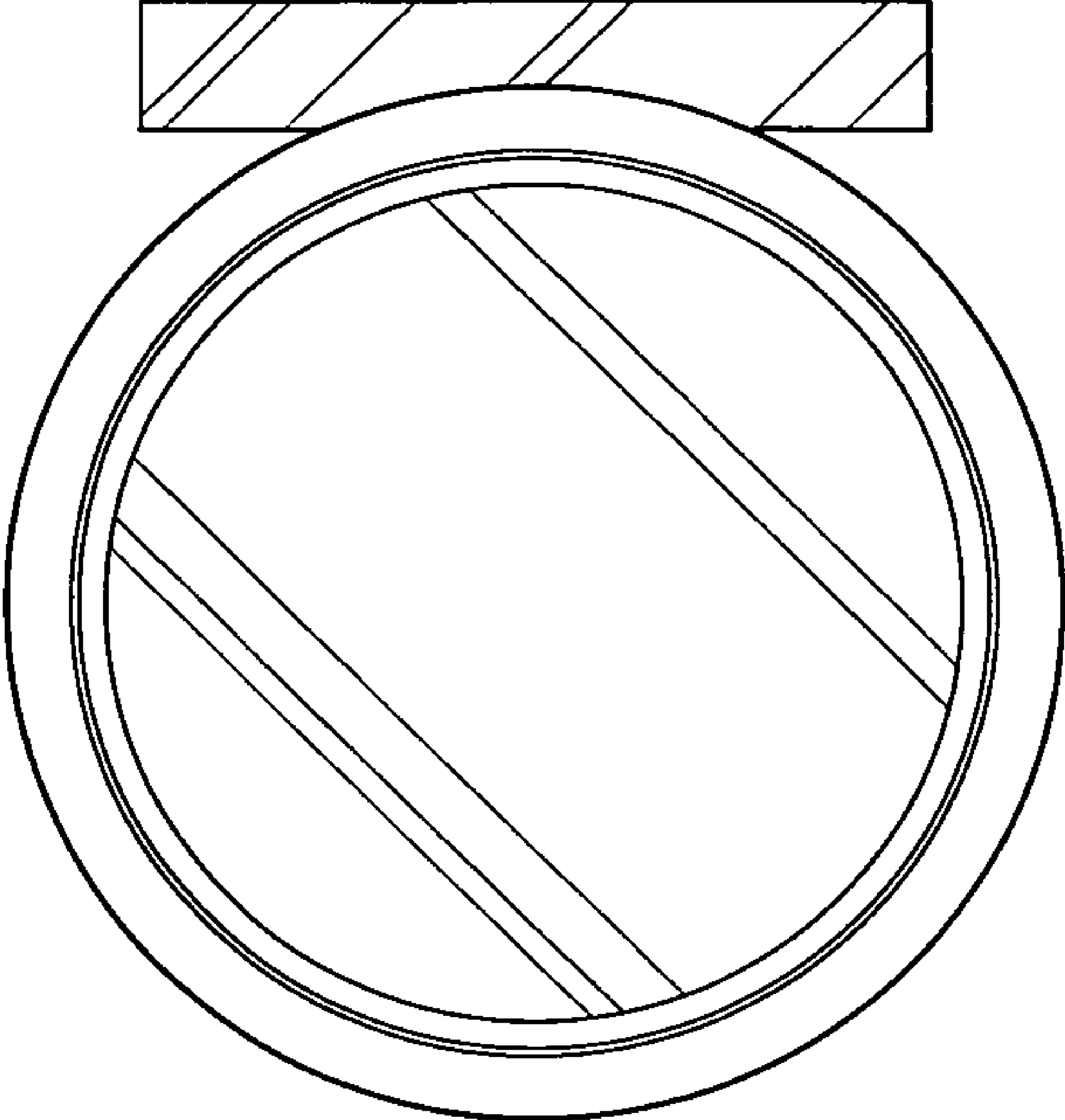


FIG. 4