



US00D605330S

(12) **United States Design Patent**
Miranda

(10) **Patent No.:** **US D605,330 S**
(45) **Date of Patent:** **** Dec. 1, 2009**

(54) **WALL SCONCE**

(76) **Inventor:** **Pasquale Miranda**, 63- 2nd St., Garden City, NY (US) 11530

(**) **Term:** **14 Years**

(21) **Appl. No.:** **29/313,443**

(22) **Filed:** **Jan. 6, 2009**

(51) **LOC (9) Cl.** **26-03**

(52) **U.S. Cl.** **D26/85**

(58) **Field of Classification Search** D26/72,
D26/85, 86, 87, 92, 138, 141; 362/147, 432
See application file for complete search history.

(56) **References Cited**

U.S. PATENT DOCUMENTS

D77,408 S *	1/1929	Hall	D26/85
D187,082 S *	1/1960	Parker	D26/85
3,178,569 A *	4/1965	Martin	362/351
D294,739 S *	3/1988	Joerger	D26/87
D402,074 S *	12/1998	Crosby	D26/85
D468,047 S *	12/2002	Lara	D26/85
D541,971 S *	5/2007	Hamel et al.	D26/85
D556,936 S *	12/2007	Miranda	D26/85

D561,927 S * 2/2008 Hoernig D26/87

OTHER PUBLICATIONS

“Conico” wall sconces #E20413-09 and #E20412-09 shown on p. 109 of the ET2 Lighting 2007 Catalog. © 2006.*

Wall Sconces #E20240-11 and #E20240-05 shown on p. 205 of the ET2 Lighting 2007 Catalog. © 2006.*

* cited by examiner

Primary Examiner—Clare E Heflin

(57) **CLAIM**

The ornamental design for a wall sconce, as shown and described.

DESCRIPTION

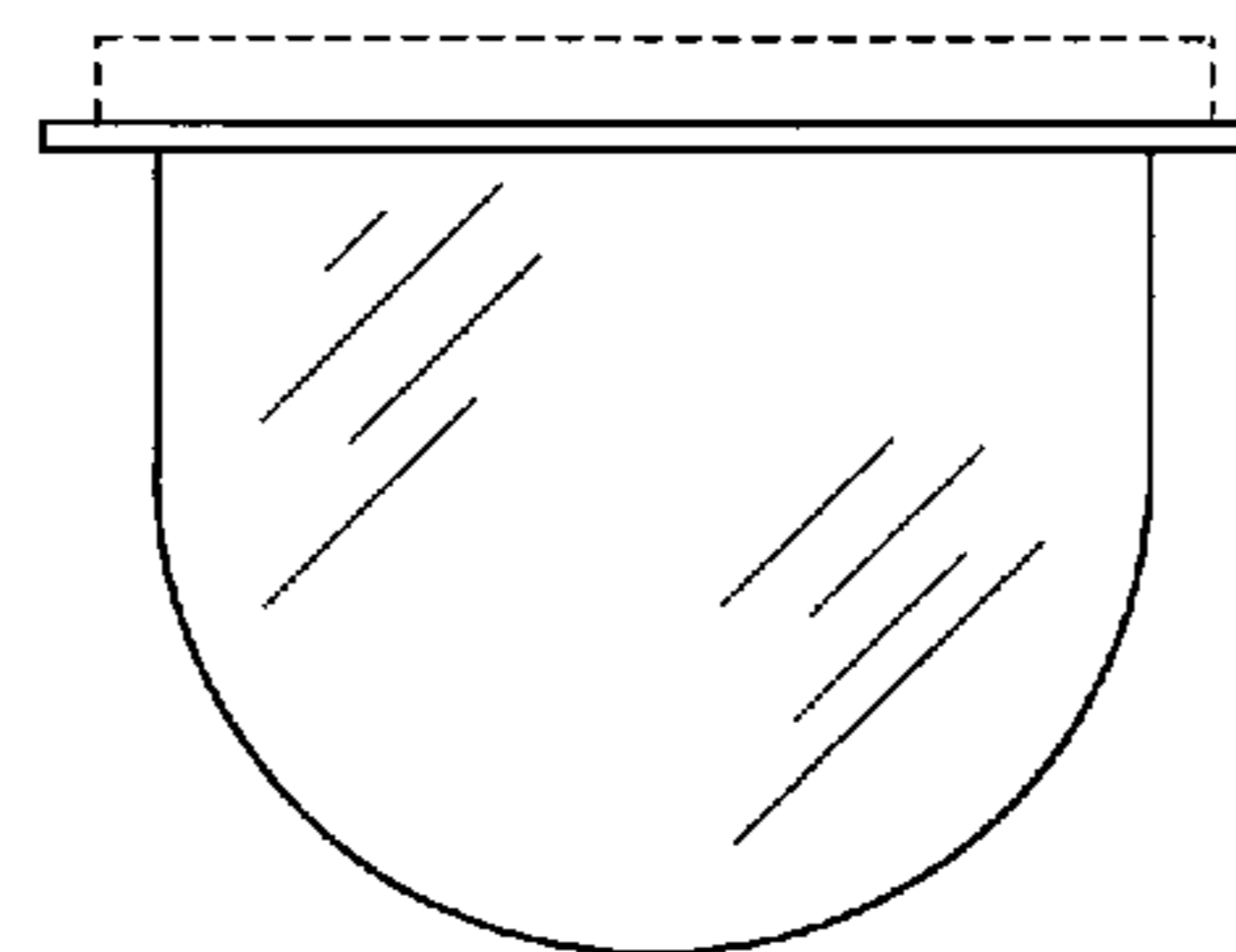
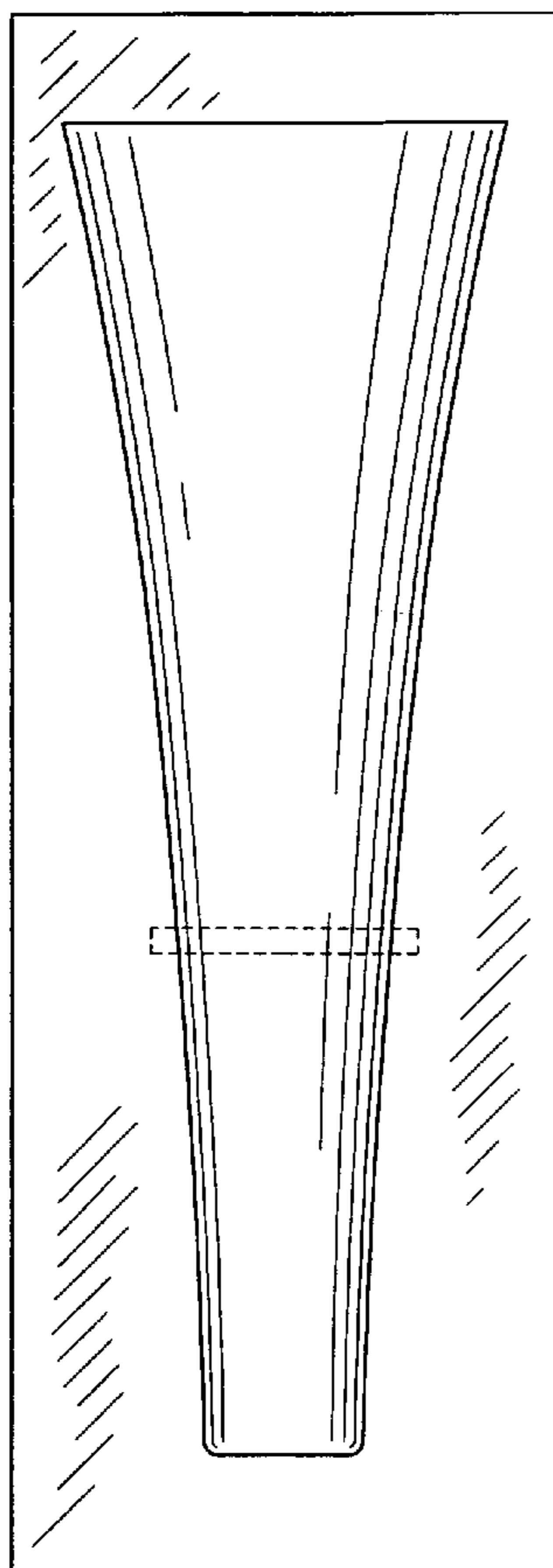
FIG. 1 is a front elevational view of a wall sconce showing my new design;

FIG. 2 is a side elevational view thereof, the opposite side elevational view being a mirror image; and,

FIG. 3 is a top plan view thereof.

The broken-line showing of environmental structures in FIGS. 1–3 is for illustrative purposes only and forms no part of the claimed design.

1 Claim, 3 Drawing Sheets



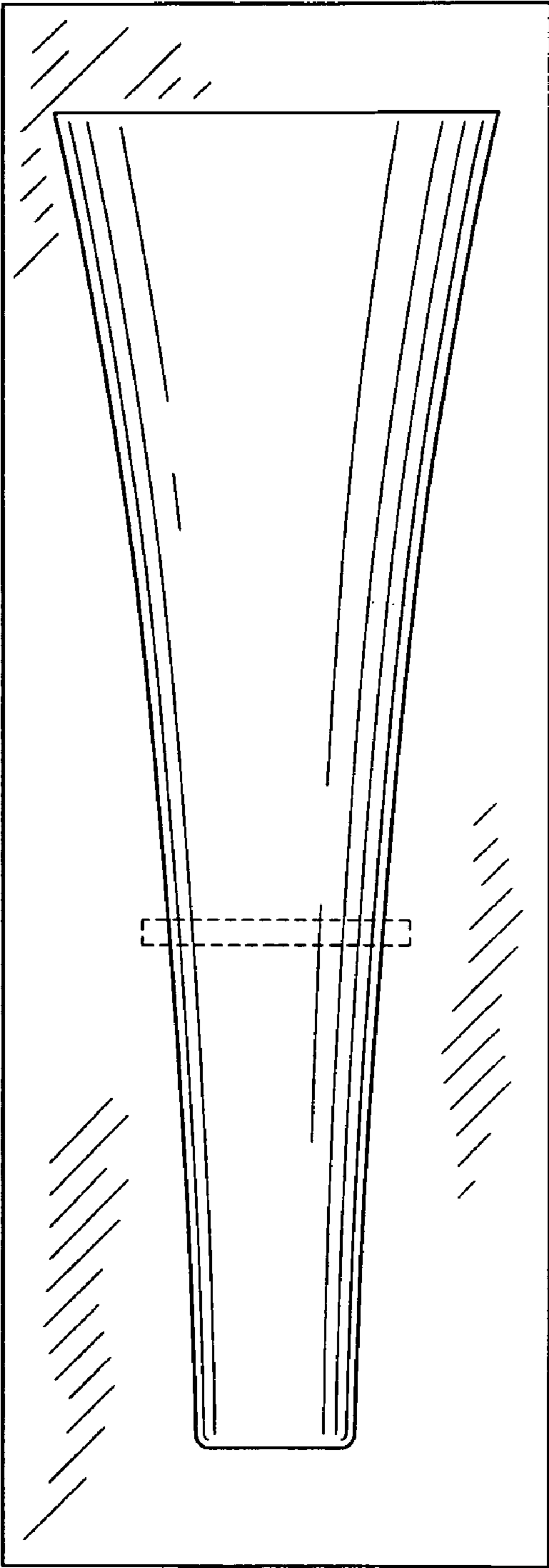


FIG. 1

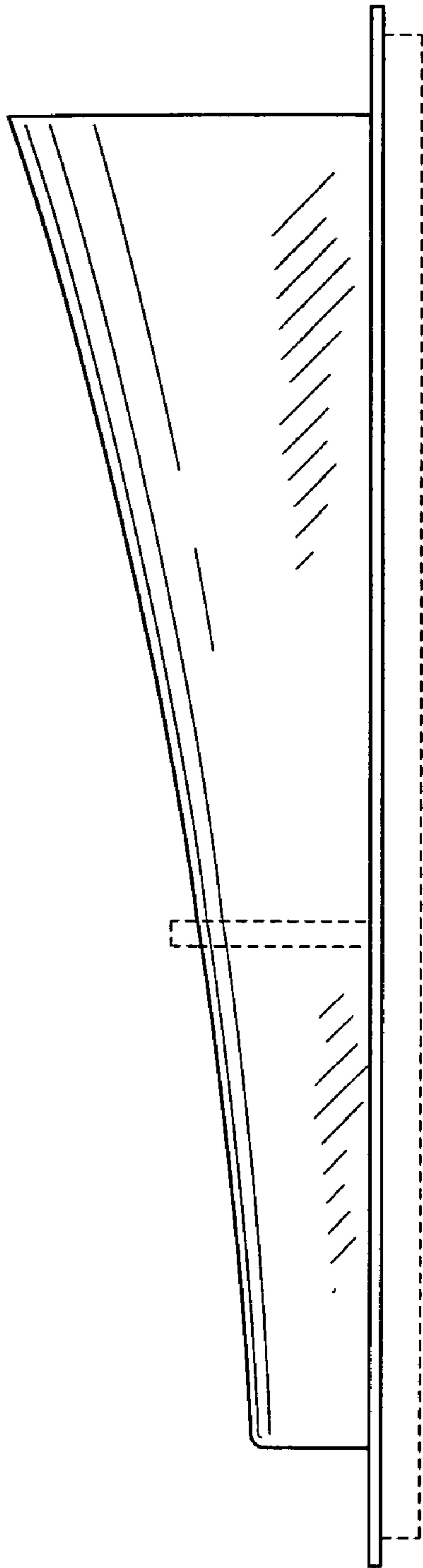


FIG. 2

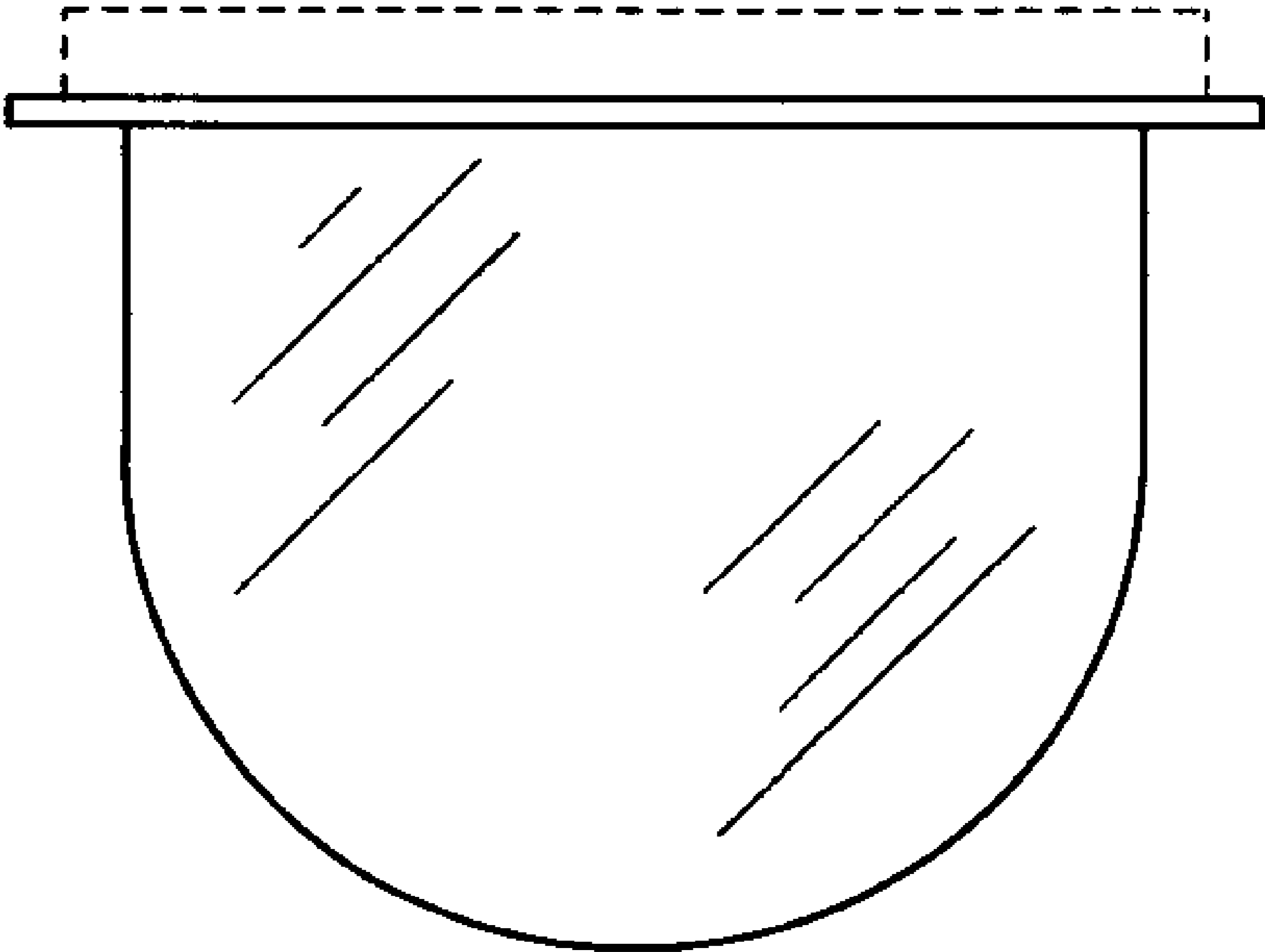


FIG. 3