



US00D605329S

(12) **United States Design Patent**
Watt et al.

(10) **Patent No.:** **US D605,329 S**

(45) **Date of Patent:** **** Dec. 1, 2009**

(54) **LIGHTING FIXTURE**

(75) Inventors: **Graeme Watt**, Bowdon (GB); **Raymond G. Janik**, Wheaton, IL (US); **Michael T. Thornton**, Burr Ridge, IL (US); **Peter F. Thornton, Jr.**, Hinsdale, IL (US); **Edwin Vice, Jr.**, Chicago, IL (US)

(73) Assignee: **Focal Point, L.L.C.**, Chicago, IL (US)

(**) Term: **14 Years**

(21) Appl. No.: **29/336,434**

(22) Filed: **May 4, 2009**

(51) **LOC (9) Cl.** **26-03**

(52) **U.S. Cl.** **D26/76; D26/118**

(58) **Field of Classification Search** D26/63,
D26/72, 74-77, 118; 362/147, 217.01, 217.02,
362/217.1, 217.12, 217.15, 217.16, 219-225,
362/132, 260-264, 267, 283, 319, 347, 364-366,
362/368, 376; 454/293, 354

See application file for complete search history.

(56) **References Cited**

U.S. PATENT DOCUMENTS

D127,374 S *	5/1941	Jordan	D26/76
D130,449 S *	11/1941	Weber	D26/76
2,715,449 A *	8/1955	Smith et al.	181/30
D274,657 S *	7/1984	Herst et al.	D26/76
4,669,033 A *	5/1987	Lee	362/319
5,420,774 A *	5/1995	Wilson	362/376
5,934,787 A *	8/1999	Sharma	362/147
D421,815 S *	3/2000	Herst et al.	D26/76
D425,237 S *	5/2000	Scott	D26/118
6,550,942 B1 *	4/2003	Zou et al.	362/347
D507,844 S *	7/2005	Friedman	D26/118
D521,172 S *	5/2006	Chen	D26/76
D553,287 S *	10/2007	Miller	D26/75
D554,793 S *	11/2007	Bobel	D26/76
D575,898 S *	8/2008	Tran et al.	D26/113
D591,442 S *	4/2009	Ford et al.	D26/77

D595,444 S *	6/2009	Shimomura	D26/76
2004/0257802 A1 *	12/2004	Helenowski	362/217
2008/0088770 A1 *	4/2008	Hwang et al.	349/64

* cited by examiner

Primary Examiner—Philip S Hyder

Assistant Examiner—Susan E Krakower

(74) *Attorney, Agent, or Firm*—Banner & Witcoff, Ltd.

(57) **CLAIM**

The ornamental design for a lighting fixture, as shown and described.

DESCRIPTION

FIG. 1 is a top front right perspective view of a lighting fixture showing a first embodiment of our new design;

FIG. 2 is a front view thereof, the rear view being an identical view thereof;

FIG. 3 is a right side view thereof, the left side view being an identical view thereof;

FIG. 4 is a top view thereof;

FIG. 5 is a bottom view thereof;

FIG. 6 is a bottom front right perspective view thereof;

FIG. 7 is a top front right perspective view of a lighting fixture showing a second embodiment of our new design;

FIG. 8 is a front view thereof, the rear view being an identical view thereof;

FIG. 9 is a right side view thereof, the left side view being an identical view thereof;

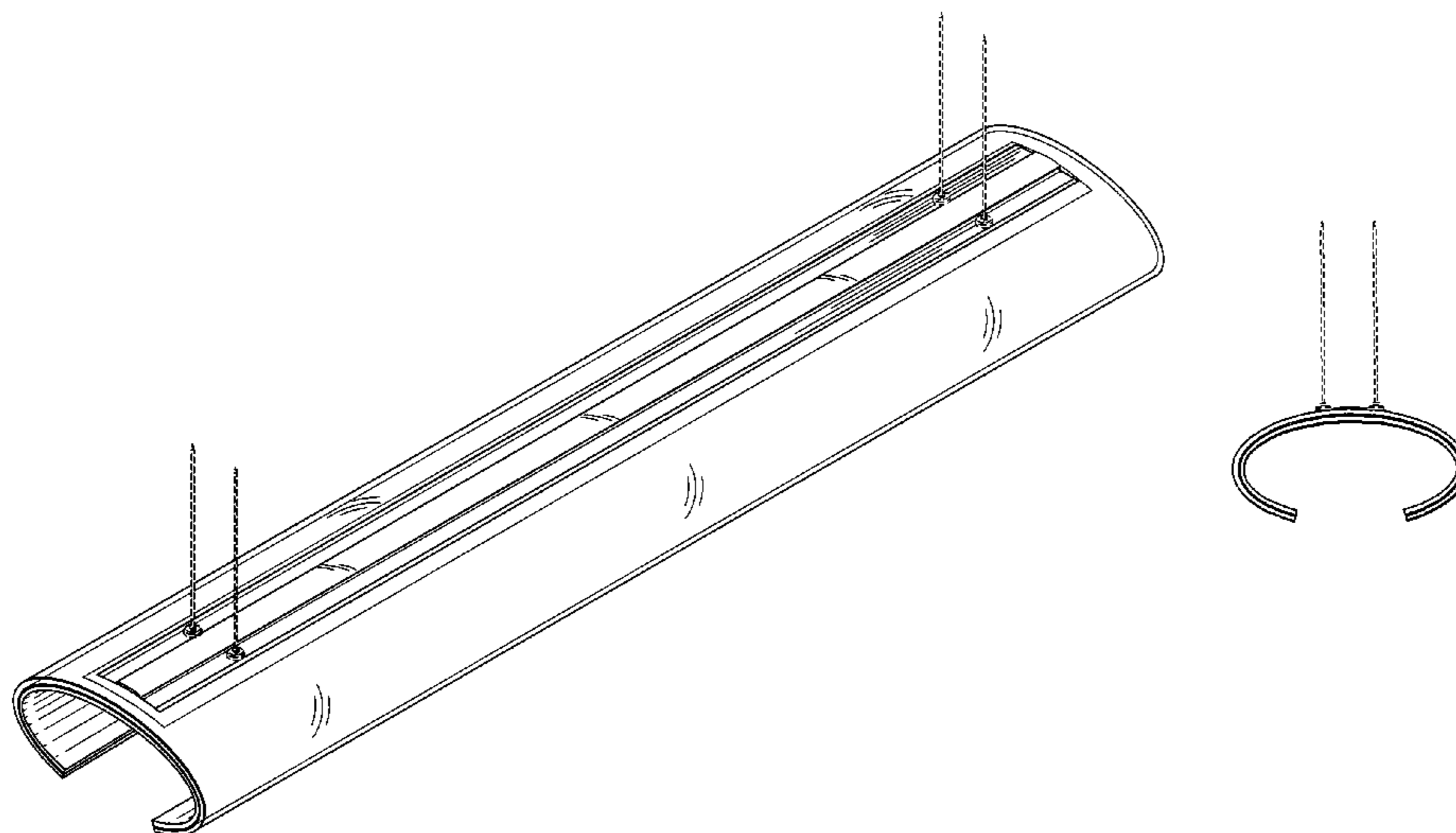
FIG. 10 is a top view thereof;

FIG. 11 is a bottom view thereof; and,

FIG. 12 is a bottom front right perspective view thereof.

The dot-dot broken lines representing the remainder of the lighting fixture are for illustrative purposes only and form no part of the claimed design.

1 Claim, 8 Drawing Sheets



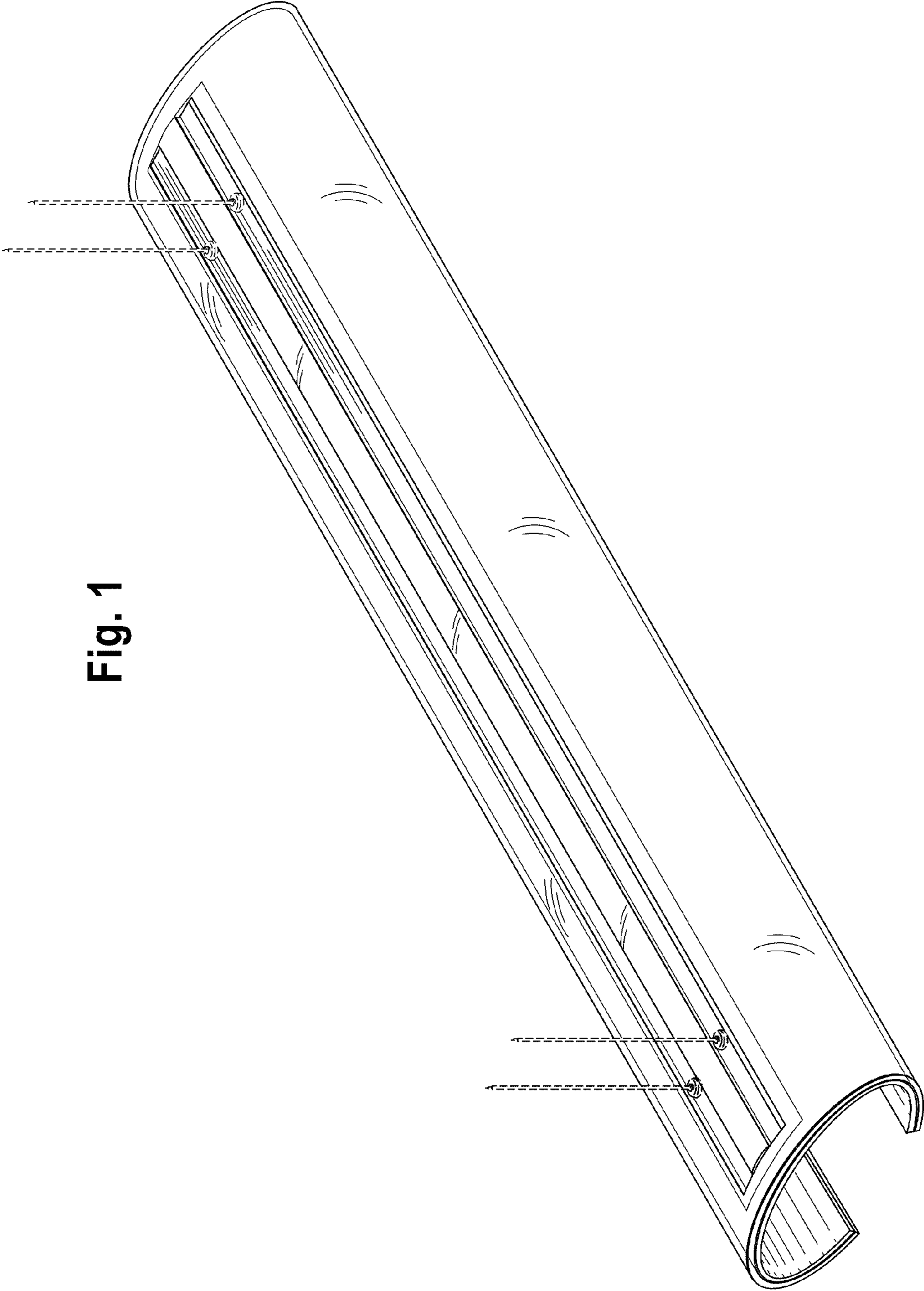


Fig. 1

Fig. 2

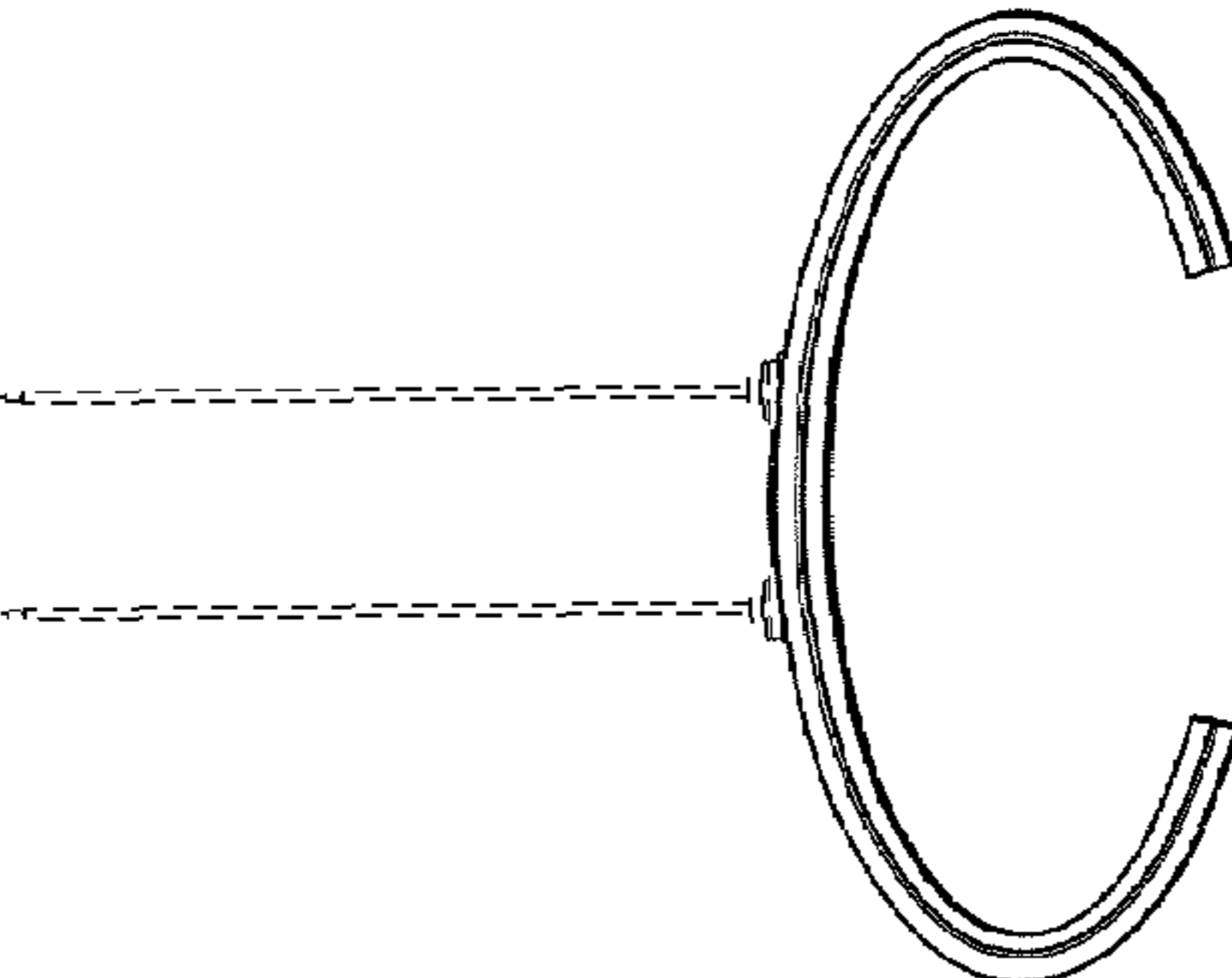


Fig. 3

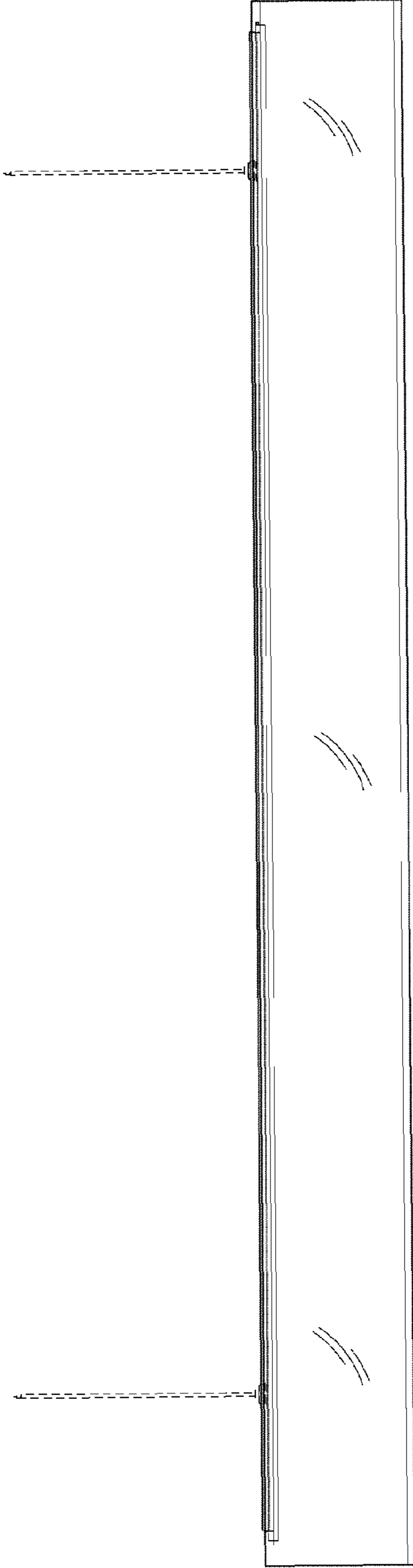


Fig. 4

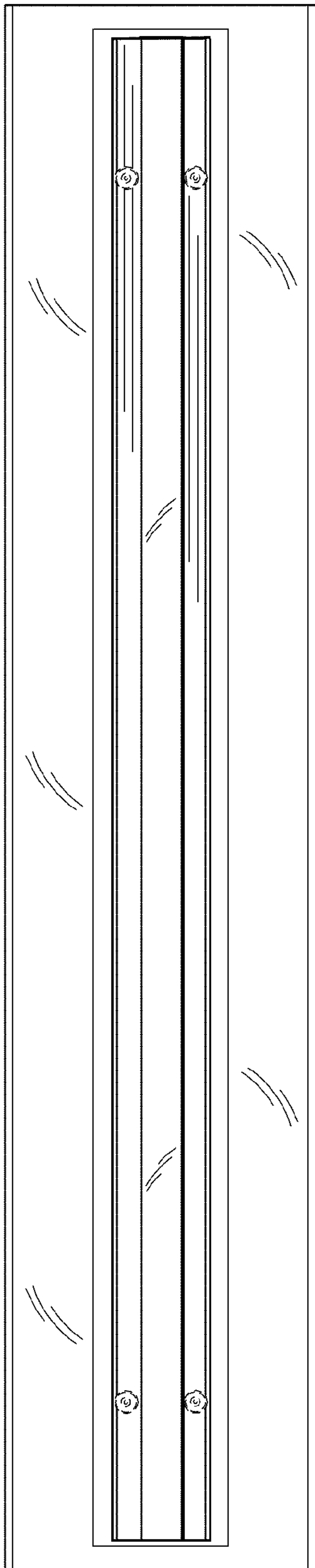


Fig. 5

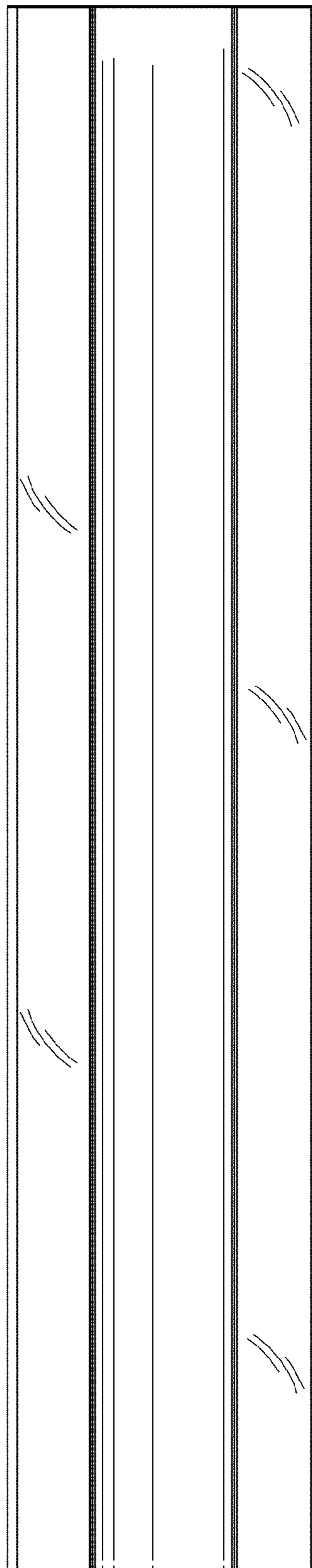
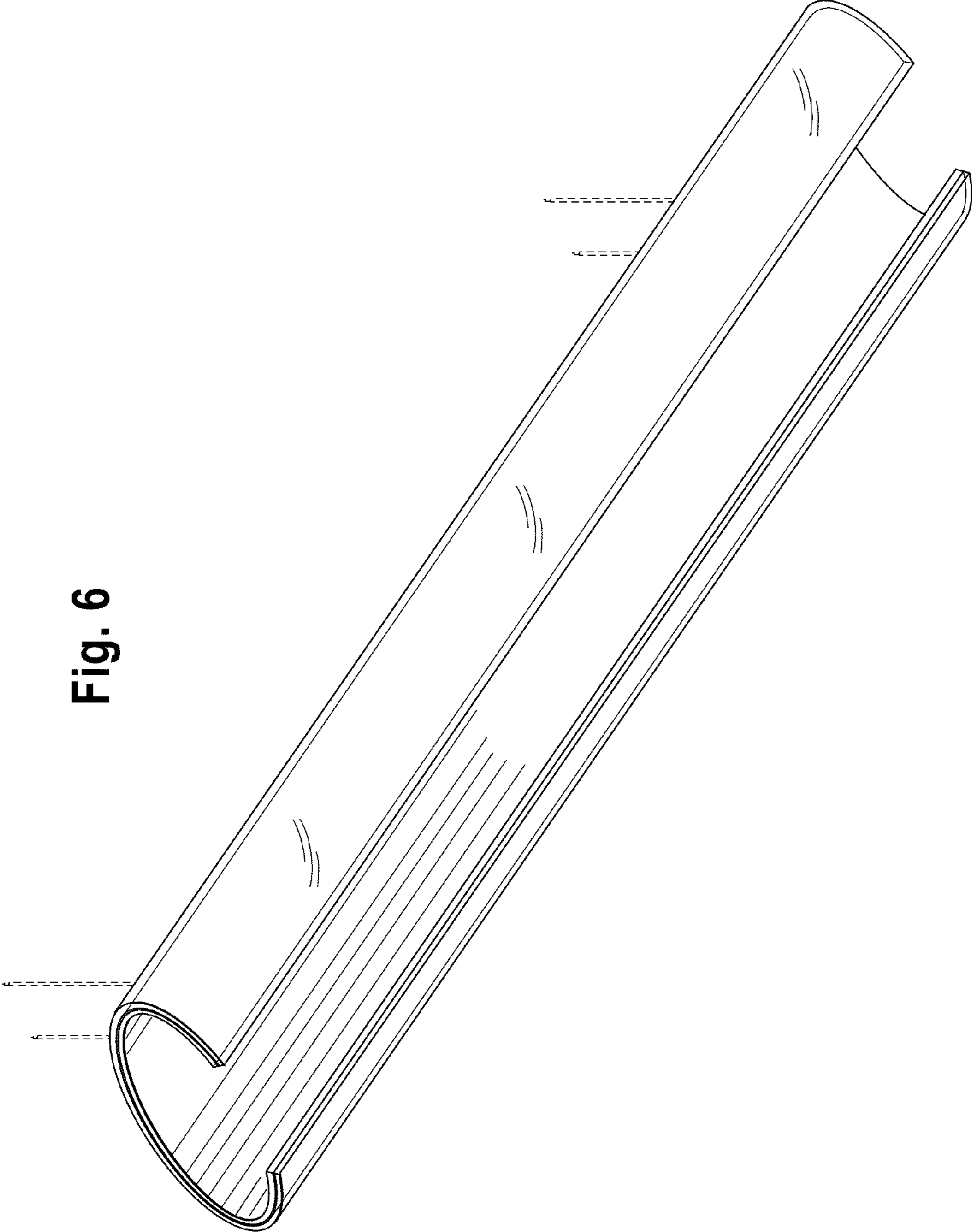


Fig. 6



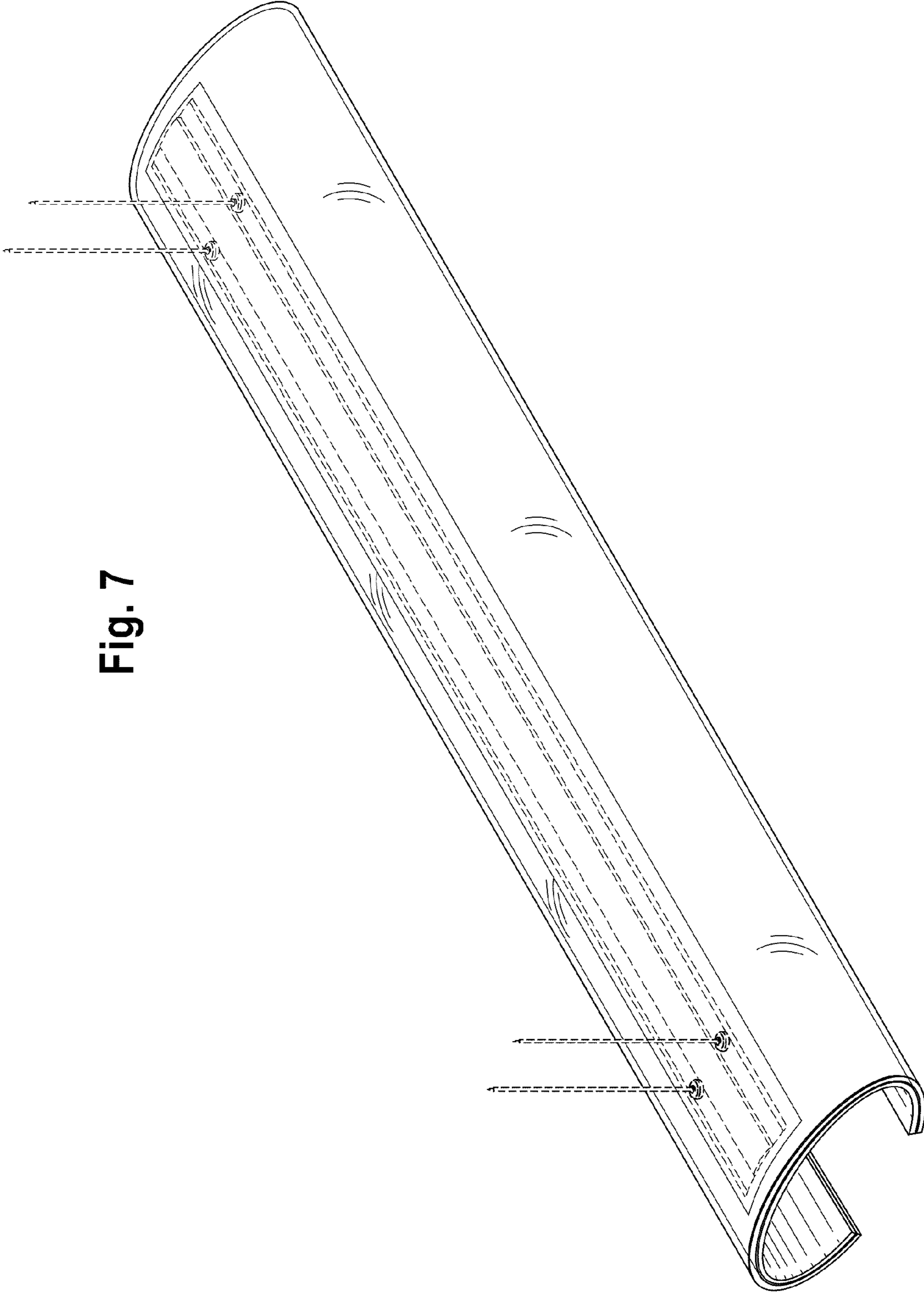


Fig. 7

Fig. 8

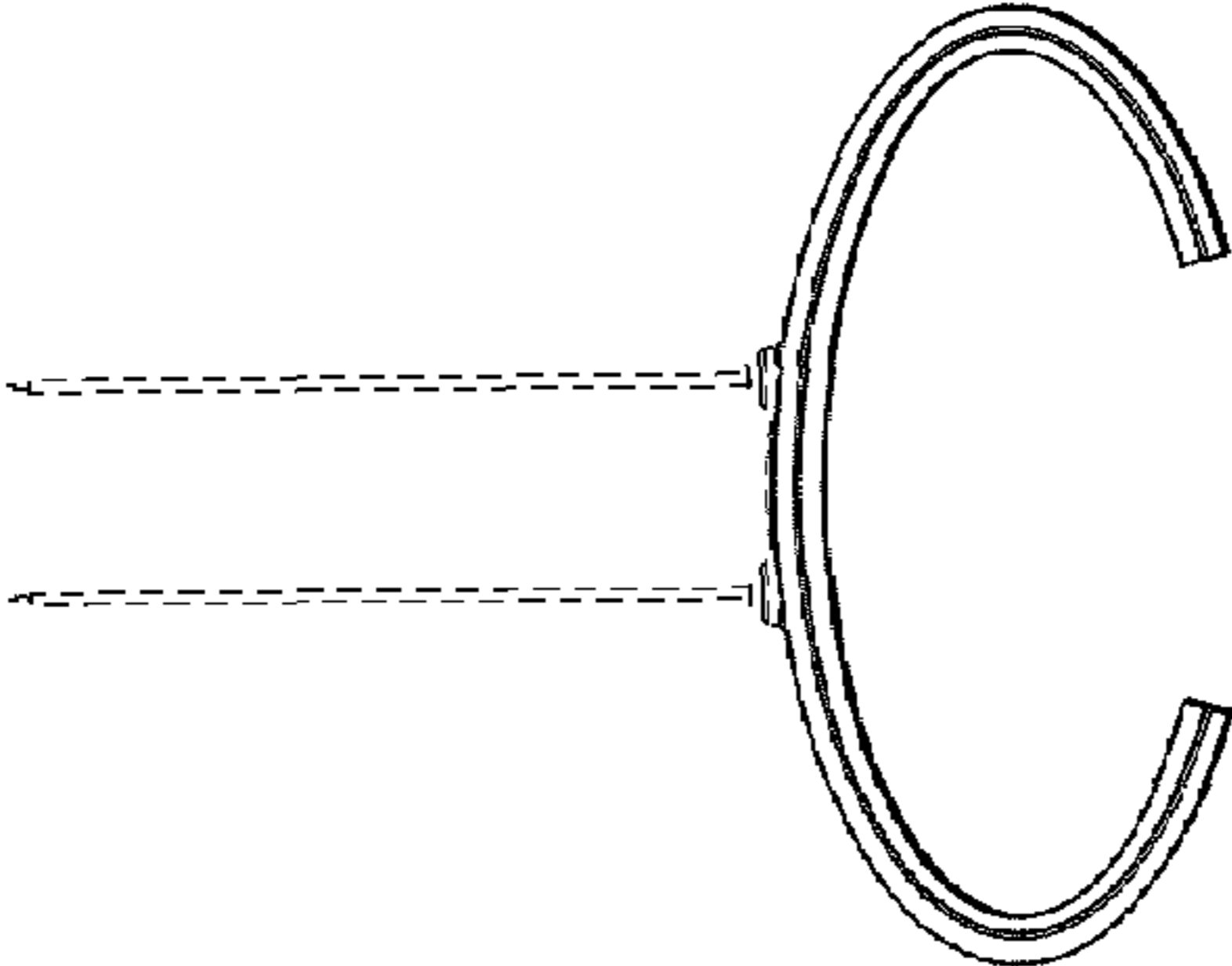


Fig. 9

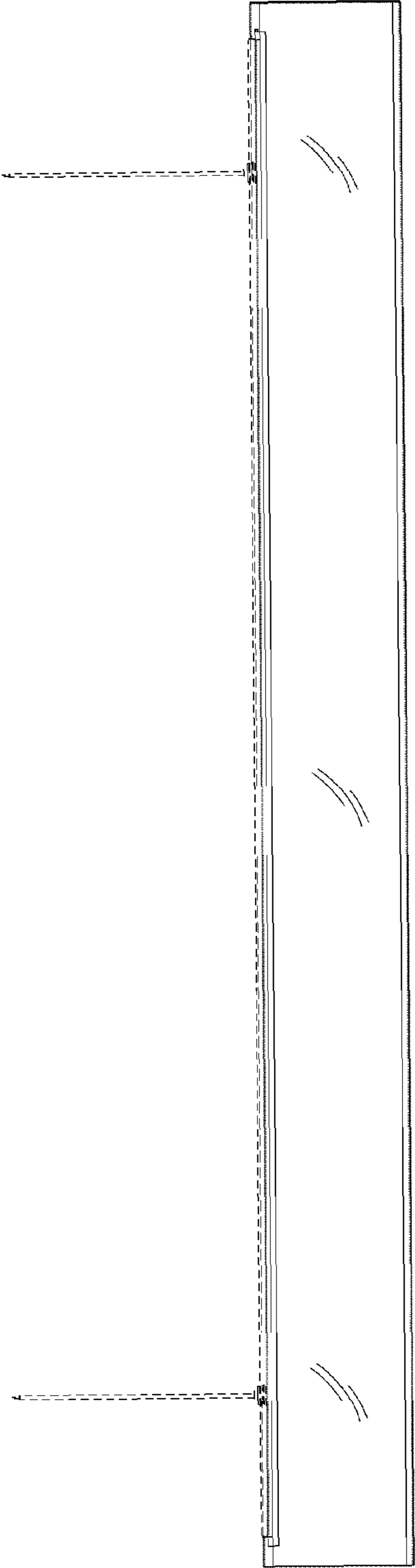


Fig. 10

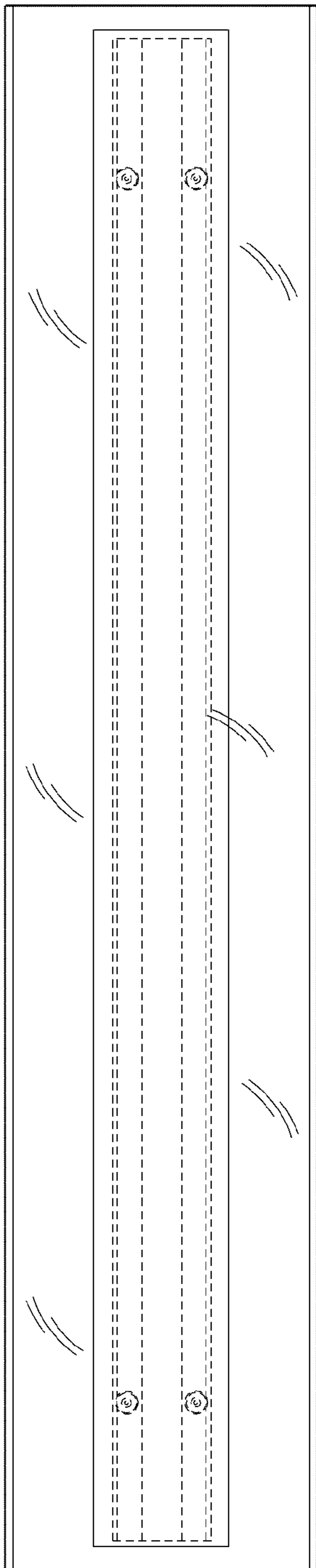


Fig. 11

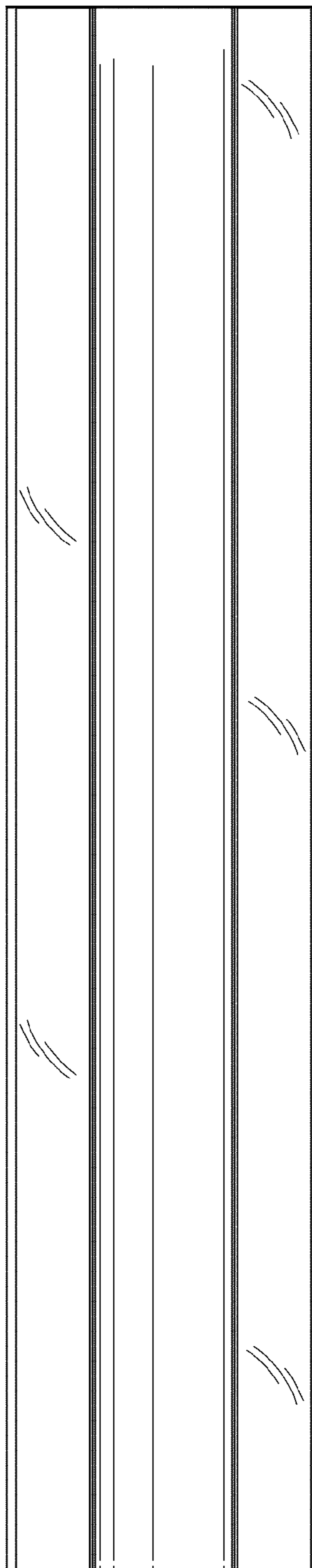


Fig. 12

