



US00D605327S

(12) **United States Design Patent**
Sanoner

(10) **Patent No.:** **US D605,327 S**
(45) **Date of Patent:** **** Dec. 1, 2009**

(54) **SOLAR LIGHT**

(75) Inventor: **Hughes Marie Sanoner**, Discovery Bay (HK)

(73) Assignee: **Solar Wide Industrial Limited**, Tsuen Wan, New Territories, Hong Kong (CN)

(**) Term: **14 Years**

(21) Appl. No.: **29/314,506**

(22) Filed: **Apr. 6, 2009**

(30) **Foreign Application Priority Data**

Oct. 9, 2008 (EM) 001017834-0002

(51) **LOC (9) Cl.** **26-05**

(52) **U.S. Cl.** **D26/68**

(58) **Field of Classification Search** D26/67-71,
D26/73, 85; 362/152, 153, 153.1, 180, 183,
362/431, 653

See application file for complete search history.

(56) **References Cited**

U.S. PATENT DOCUMENTS

D193,407 S *	8/1962	Pettengill	D26/67
5,055,984 A *	10/1991	Hung et al.	362/183
D348,944 S *	7/1994	Shalvi	D26/67
D374,497 S *	10/1996	Shalvi	D26/68
5,597,229 A *	1/1997	Plichta et al.	362/153.1
D425,646 S *	5/2000	Giese et al.	D26/68
D454,406 S *	3/2002	Chang	D26/67
D459,515 S *	6/2002	Gaskins et al.	D26/67

D471,307 S *	3/2003	Yung	D26/67
D499,832 S *	12/2004	Chen	D26/68
D517,717 S *	3/2006	Sanoner	D26/68
D551,791 S *	9/2007	Sanoner	D26/68

OTHER PUBLICATIONS

Color Changing Solar Mini Star Flexible Garden Stake from www.mrlight.com on Jul. 18, 2009.*

Solar Garland of 6 Color Changing Starbursts from www.mrlight.com on Jul. 18, 2009.*

Solar Garden Stake with 4" Starburst from www.mrlight.com on Jul. 18, 2009.*

* cited by examiner

Primary Examiner—Clare E Heflin

(74) *Attorney, Agent, or Firm*—Alix, Yale & Ristas, LLP

(57) **CLAIM**

The ornamental design for a solar light, as shown and described.

DESCRIPTION

FIG. 1 is a front and top perspective view of a solar light showing my new design;

FIG. 2 is a right side and bottom perspective view thereof;

FIG. 3 is a front and bottom perspective view thereof;

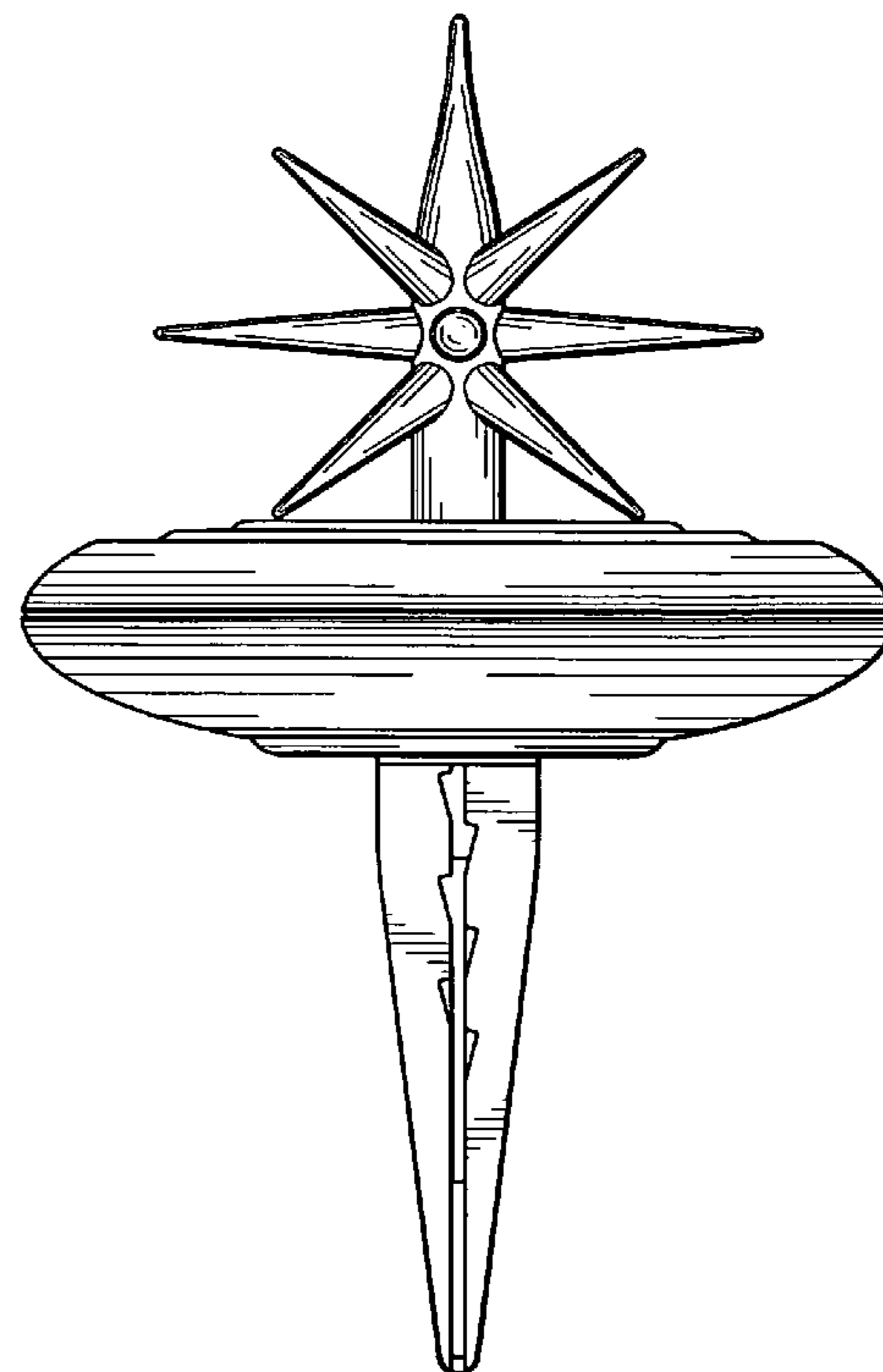
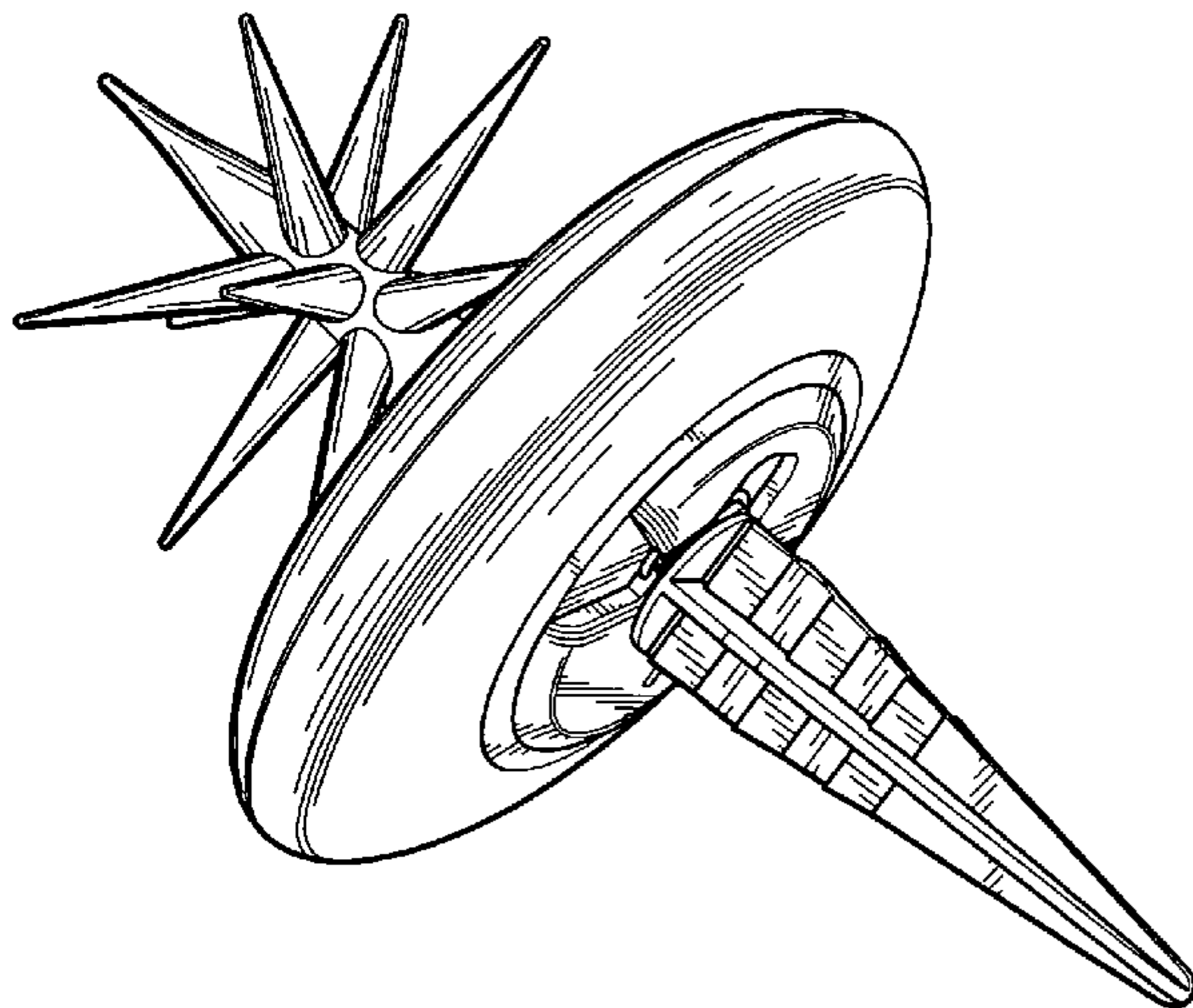
FIG. 4 is a front elevational view thereof;

FIG. 5 is a right side elevational view thereof;

FIG. 6 is a top plan view thereof; and,

FIG. 7 is a bottom plan view thereof.

1 Claim, 4 Drawing Sheets



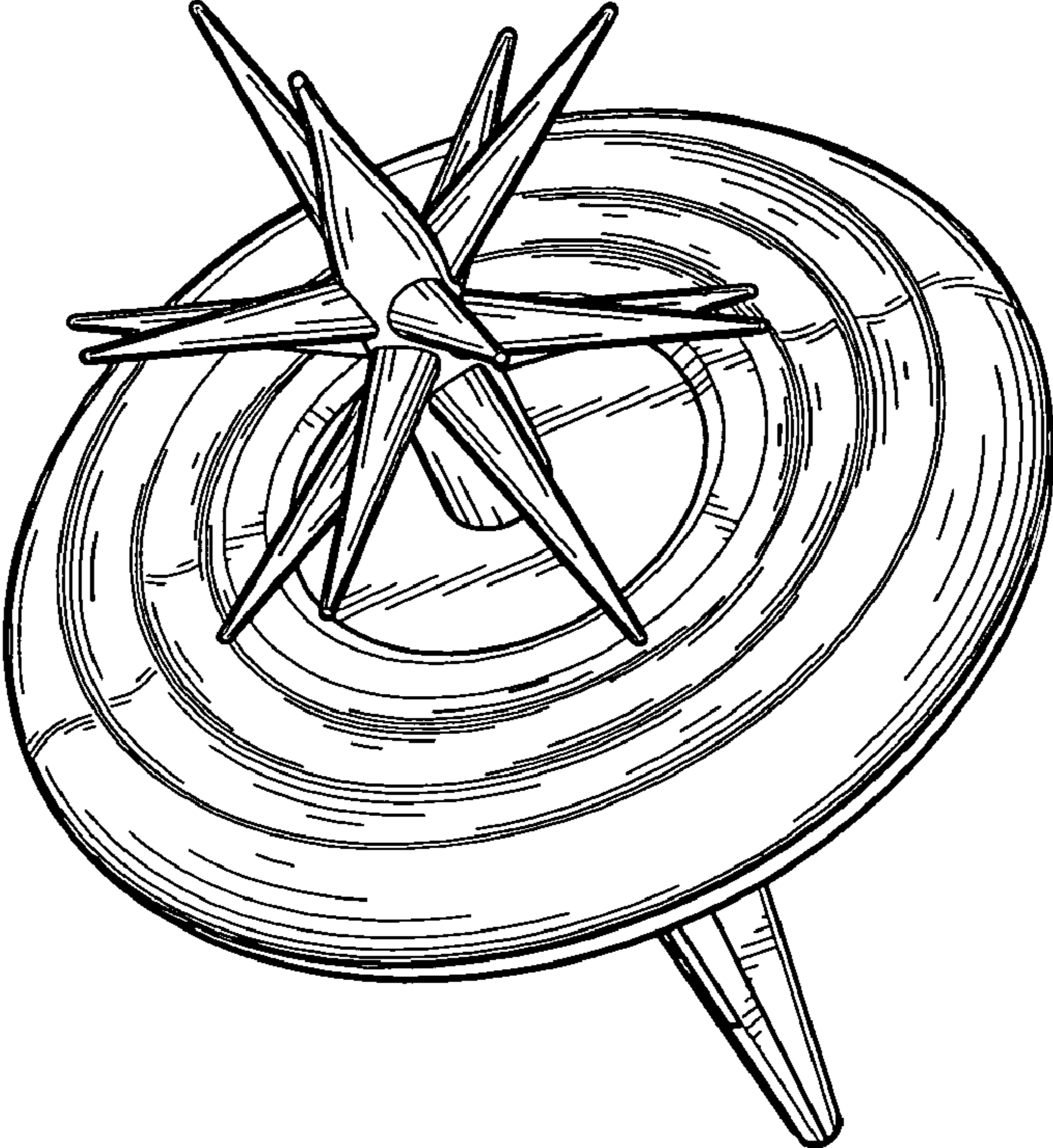


FIG. 1

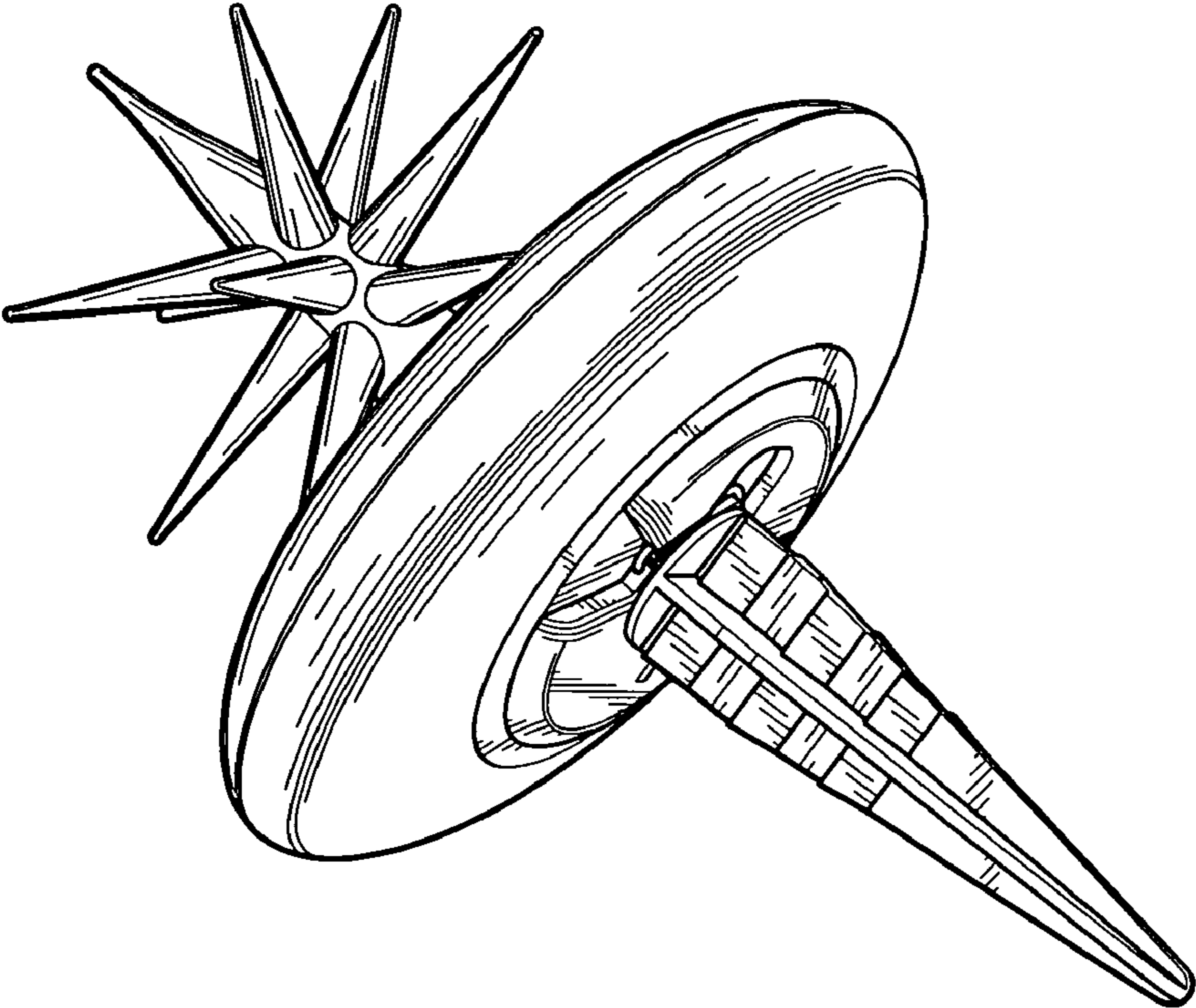


FIG. 2

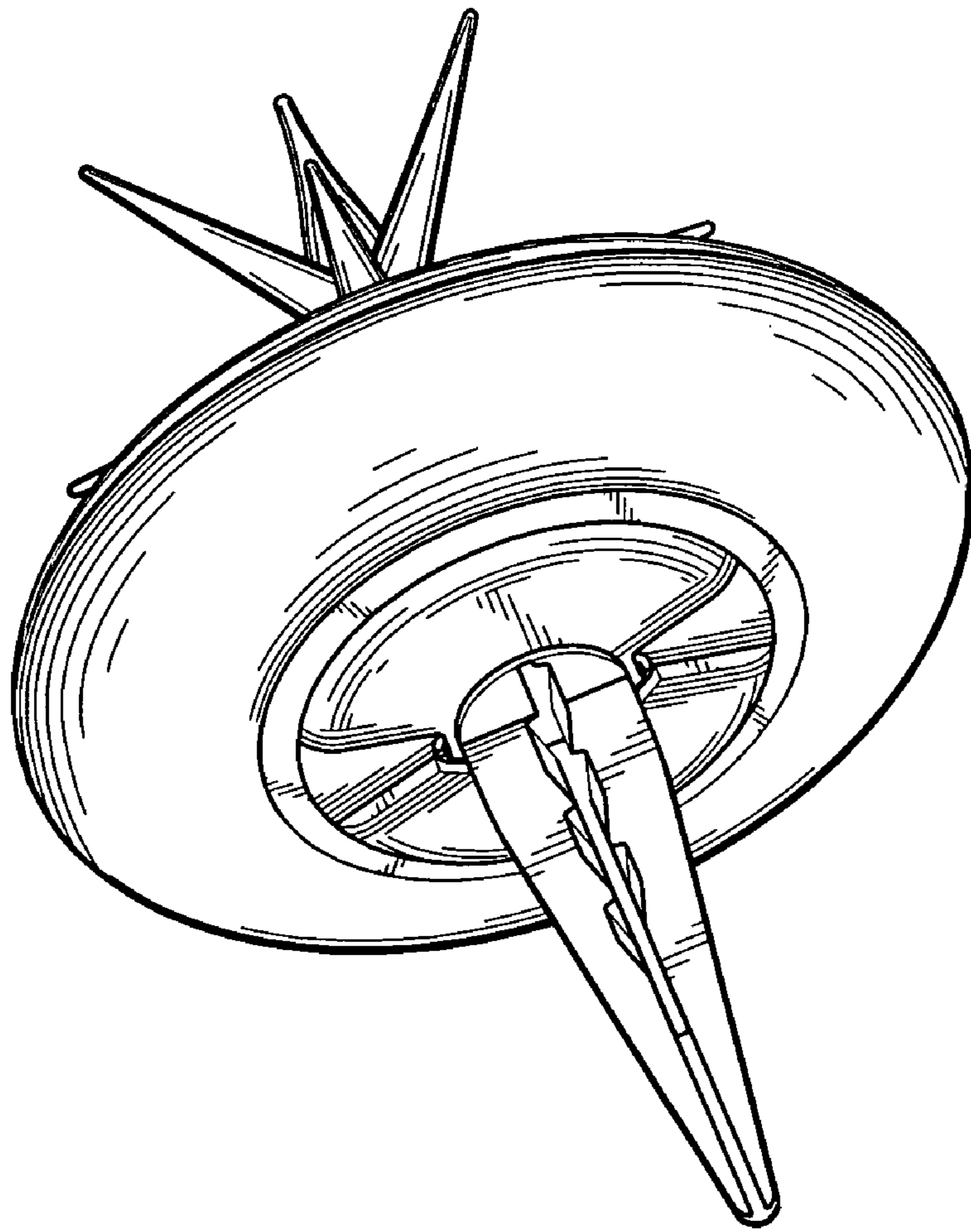


FIG.3

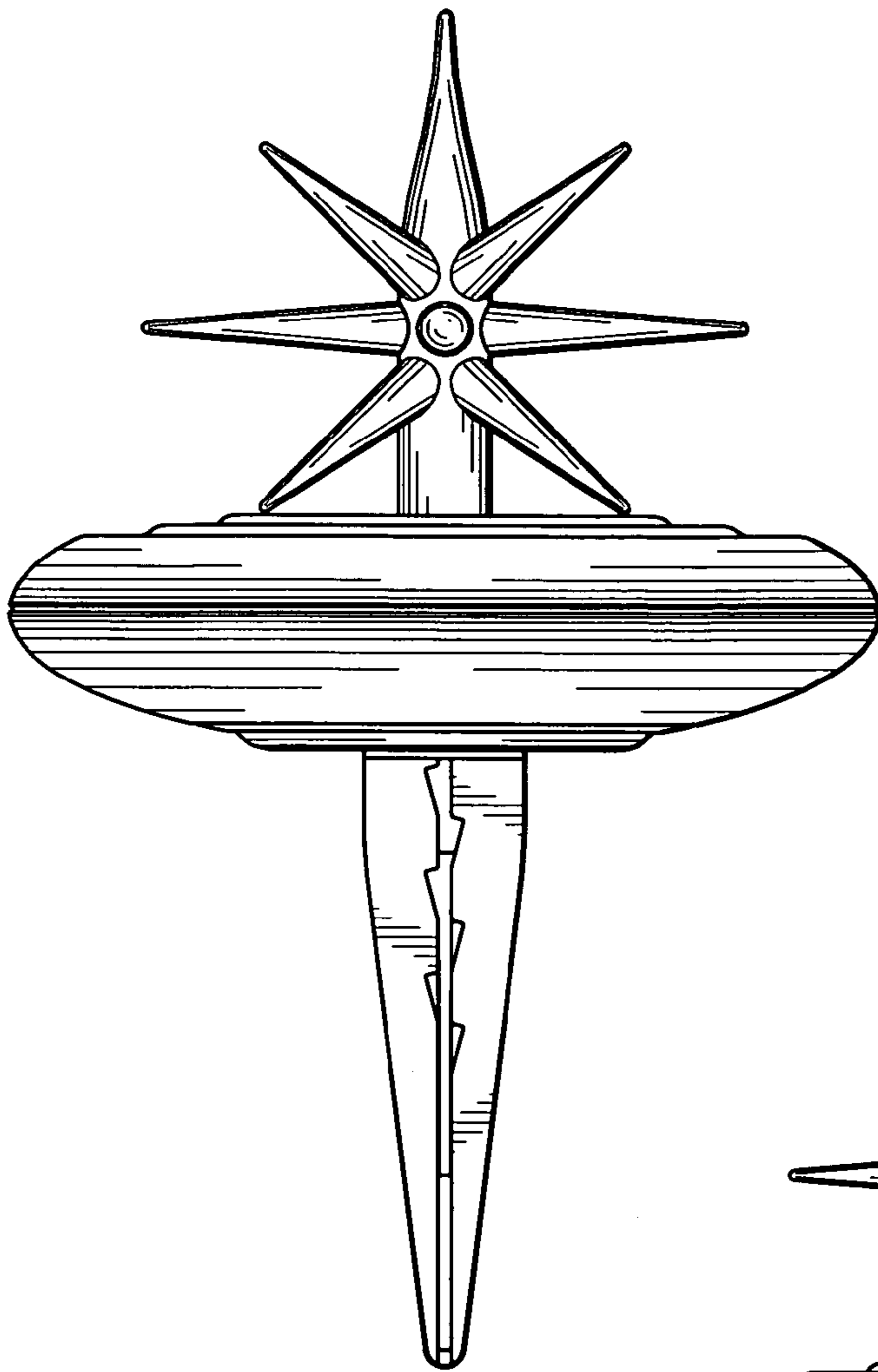


FIG. 4

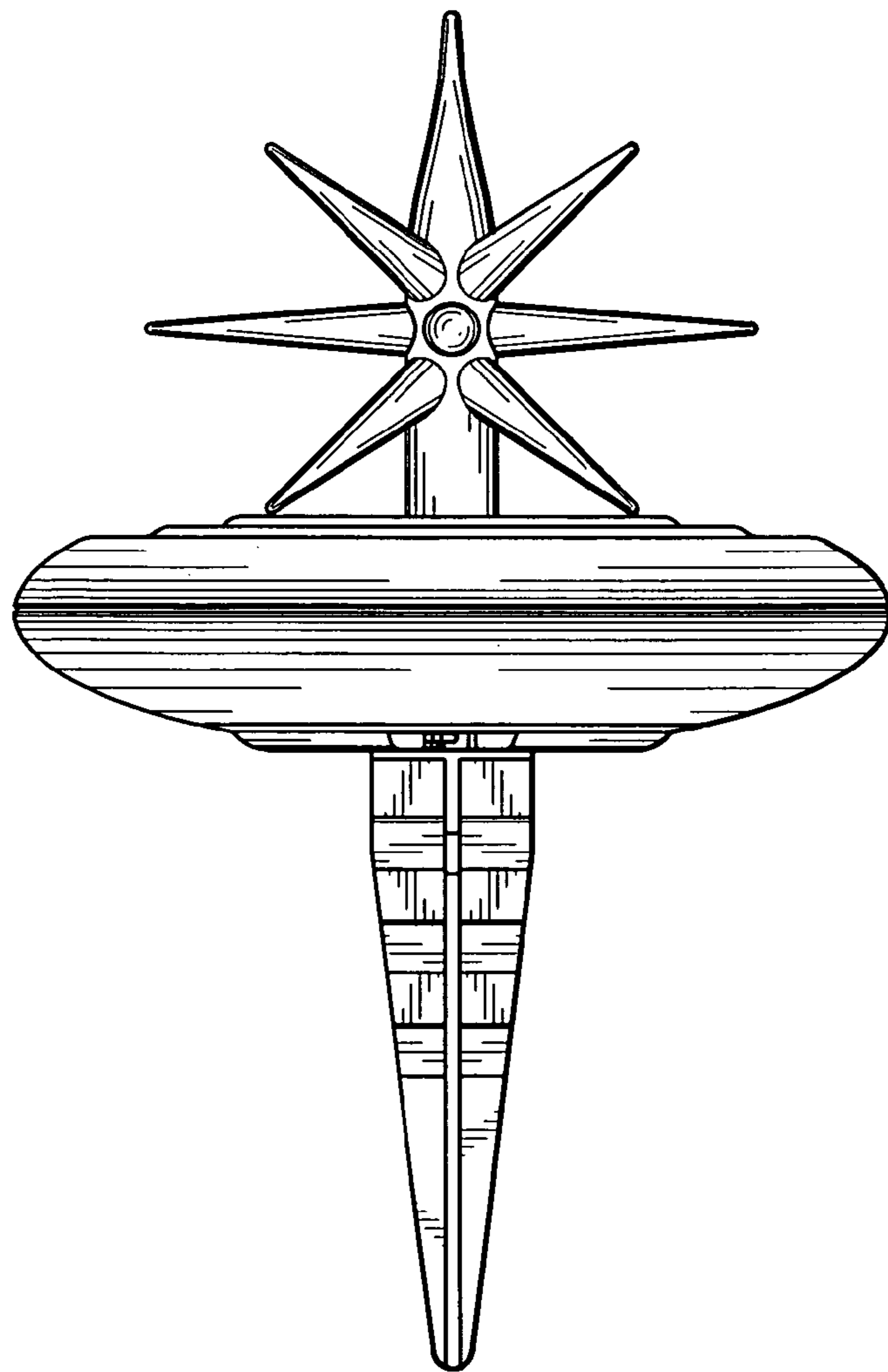


FIG. 5

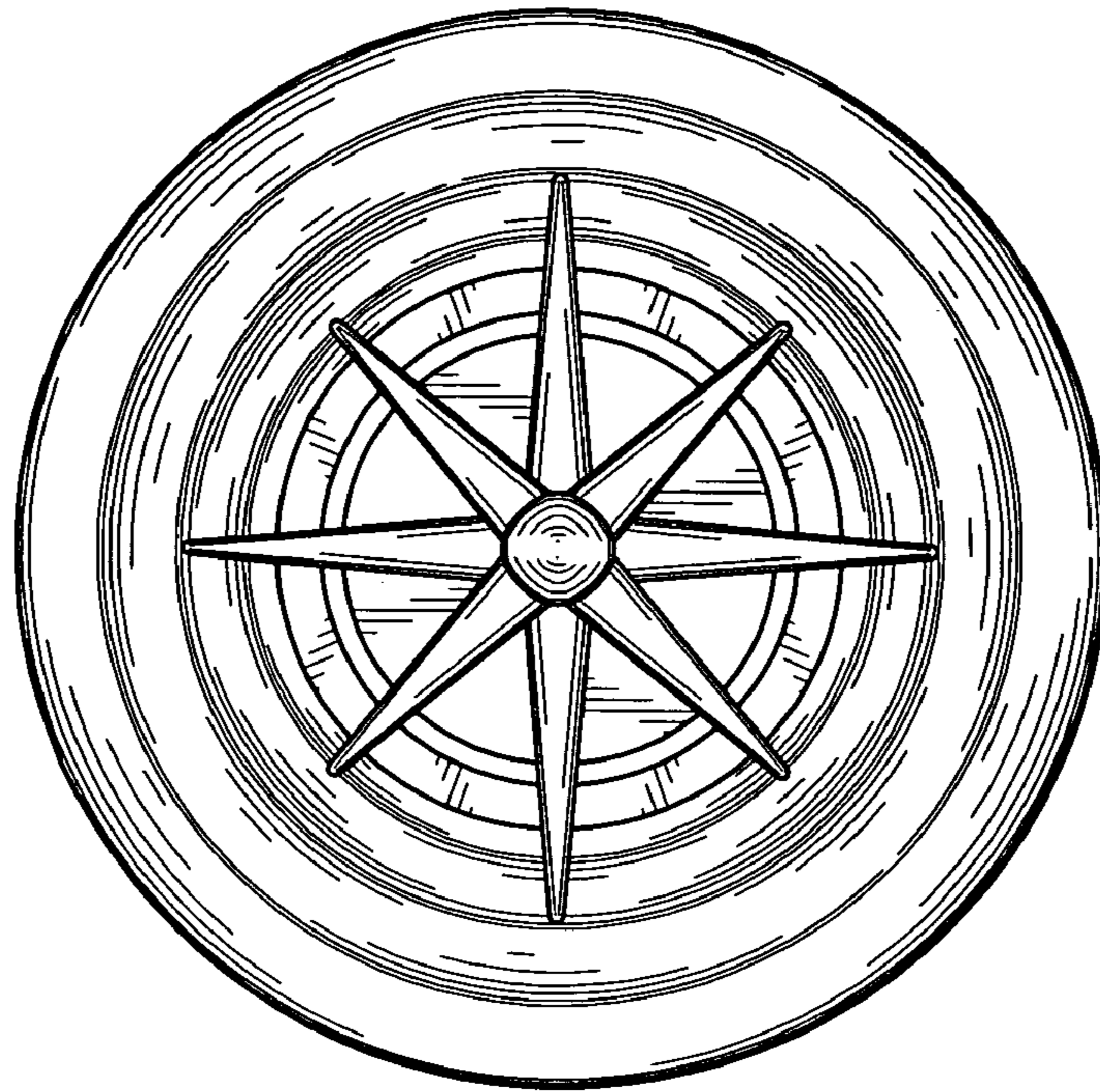


FIG. 6

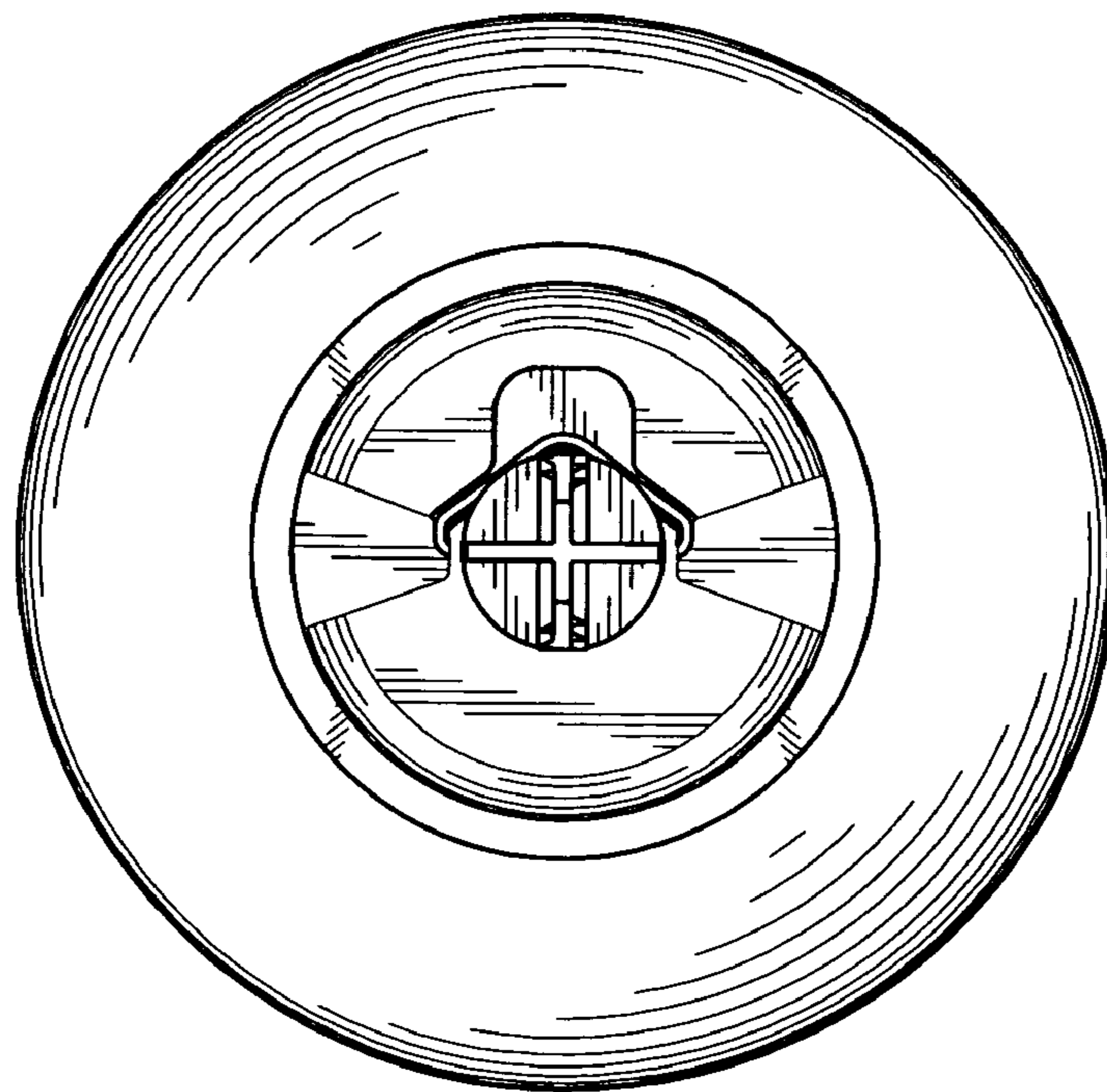


FIG. 7