



US00D605325S

(12) **United States Design Patent**
Sanoner

(10) **Patent No.:** **US D605,325 S**
(45) **Date of Patent:** **** Dec. 1, 2009**

(54) **SOLAR LIGHT**

(75) Inventor: **Hughes Marie Sanoner**, Discovery Bay (HK)

(73) Assignee: **Solar Wide Industrial Limited**, Tsuen Wan, New Territories, Hong Kong (CN)

(**) Term: **14 Years**

(21) Appl. No.: **29/314,503**

(22) Filed: **Apr. 6, 2009**

(30) **Foreign Application Priority Data**

Oct. 9, 2008 (EM) 001017834-0005

(51) **LOC (9) Cl.** **26-05**

(52) **U.S. Cl.** **D26/68**

(58) **Field of Classification Search** D26/67-71, D26/73, 85; 362/152, 153, 153.1, 180, 183, 362/431, 653

See application file for complete search history.

(56) **References Cited**

U.S. PATENT DOCUMENTS

D194,524 S * 2/1963 Pettengill D26/67
D218,985 S * 10/1970 Anderson D26/67
D254,875 S * 4/1980 Stekelberg D26/24
5,055,984 A * 10/1991 Hung et al. 362/183

5,280,417 A * 1/1994 Hall et al. 362/153
D425,646 S * 5/2000 Giese et al. D26/68
D454,406 S * 3/2002 Chang D26/67
D471,307 S * 3/2003 Yung D26/67
D517,717 S * 3/2006 Sanoner D26/68
7,041,899 B2 * 5/2006 Stekelenburg 362/95
2004/0095772 A1 * 5/2004 Hoover et al. 362/431
2006/0187656 A1 * 8/2006 Kuelbs et al. 362/183

* cited by examiner

Primary Examiner—Clare E Heflin

(74) *Attorney, Agent, or Firm*—Alix, Yale & Ristas, LLP

(57) **CLAIM**

The ornamental design for a solar light, as shown and described.

DESCRIPTION

FIG. 1 is a front, right side and top perspective view of a solar light showing my new design;

FIG. 2 is a right side and bottom perspective view thereof;

FIG. 3 is a front and bottom perspective view thereof;

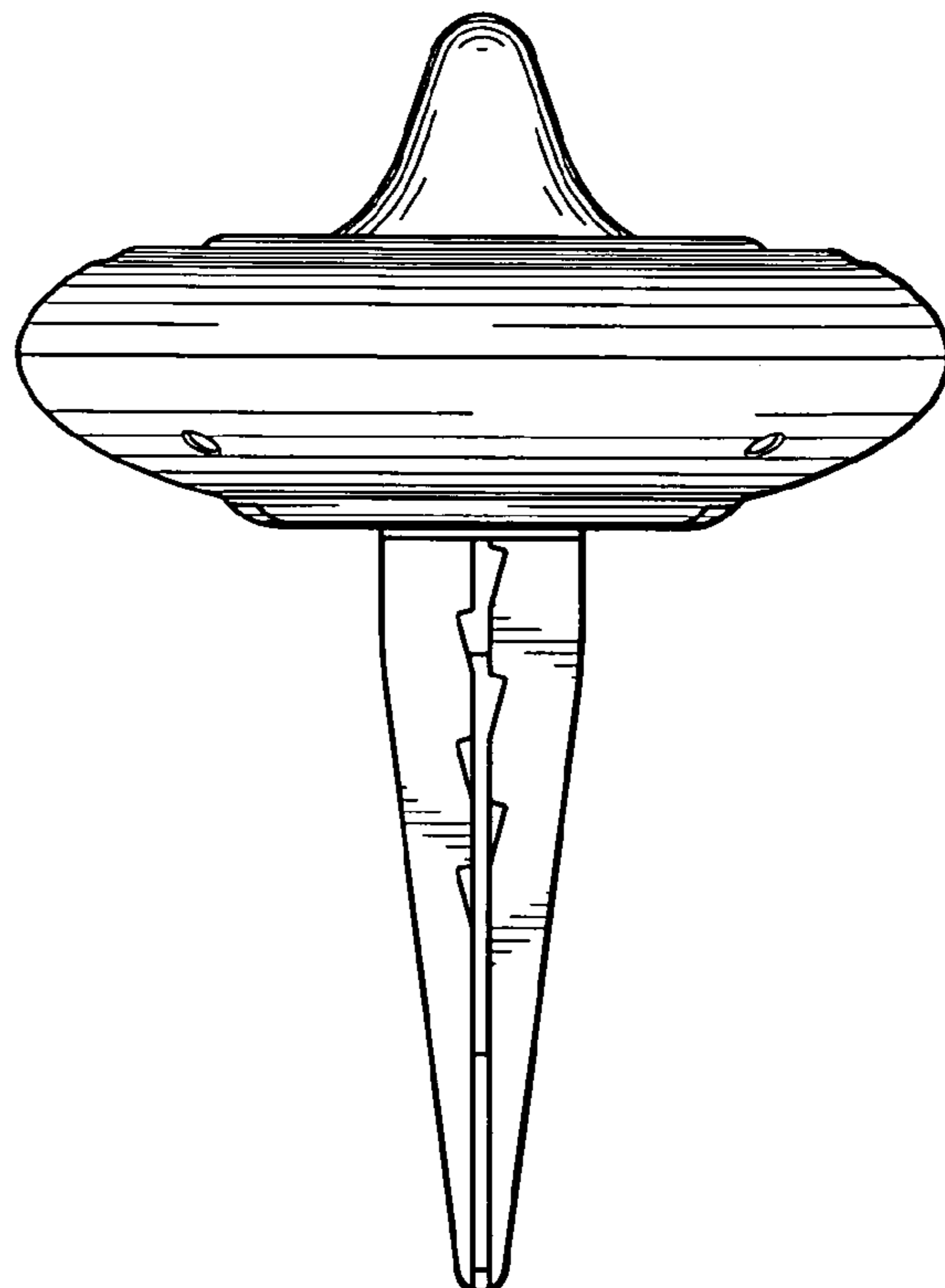
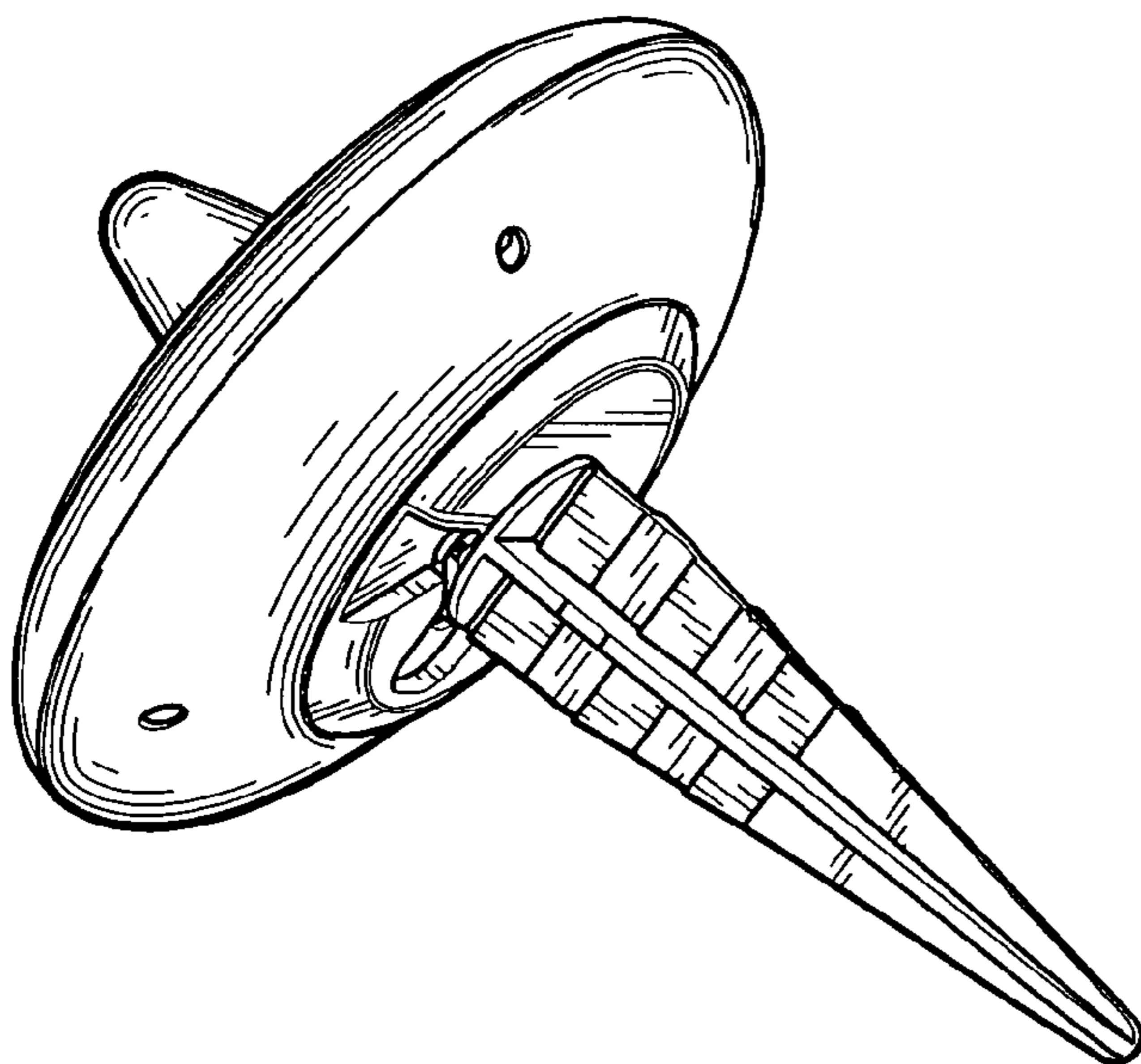
FIG. 4 is a front elevational view thereof;

FIG. 5 is a right side elevational view thereof;

FIG. 6 is a top plan view thereof; and,

FIG. 7 is a bottom plan view thereof.

1 Claim, 3 Drawing Sheets



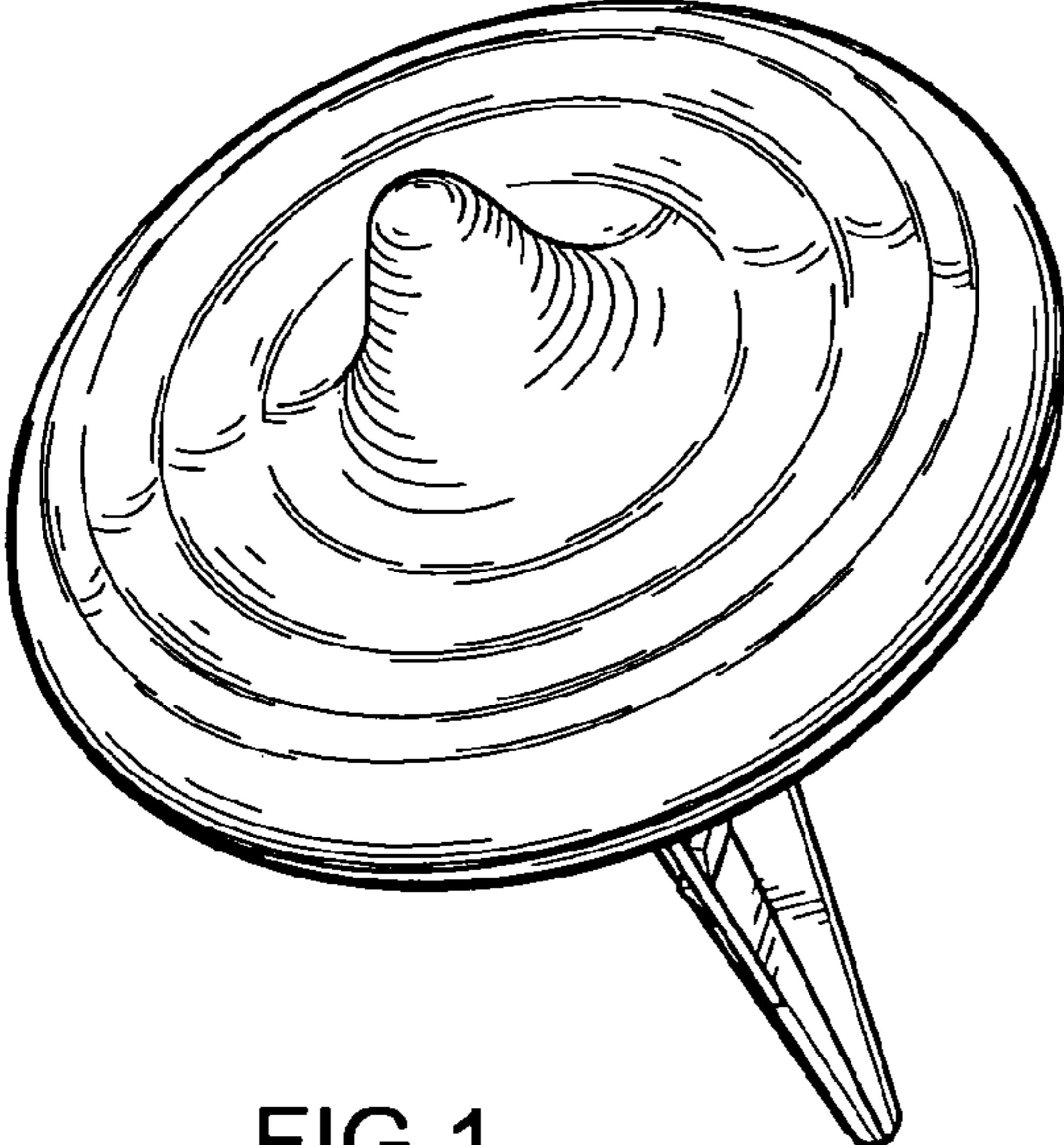


FIG.1

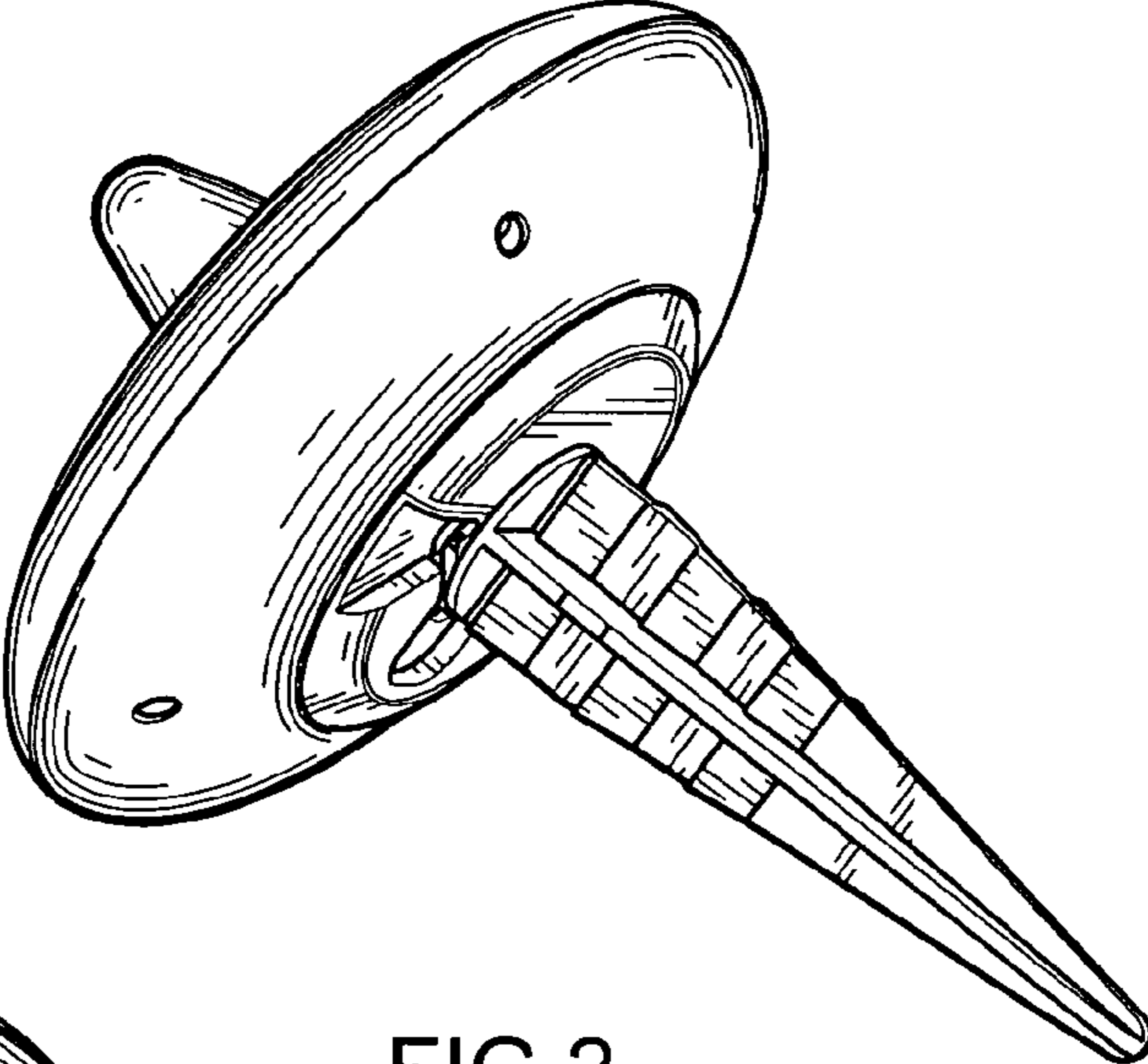


FIG.2

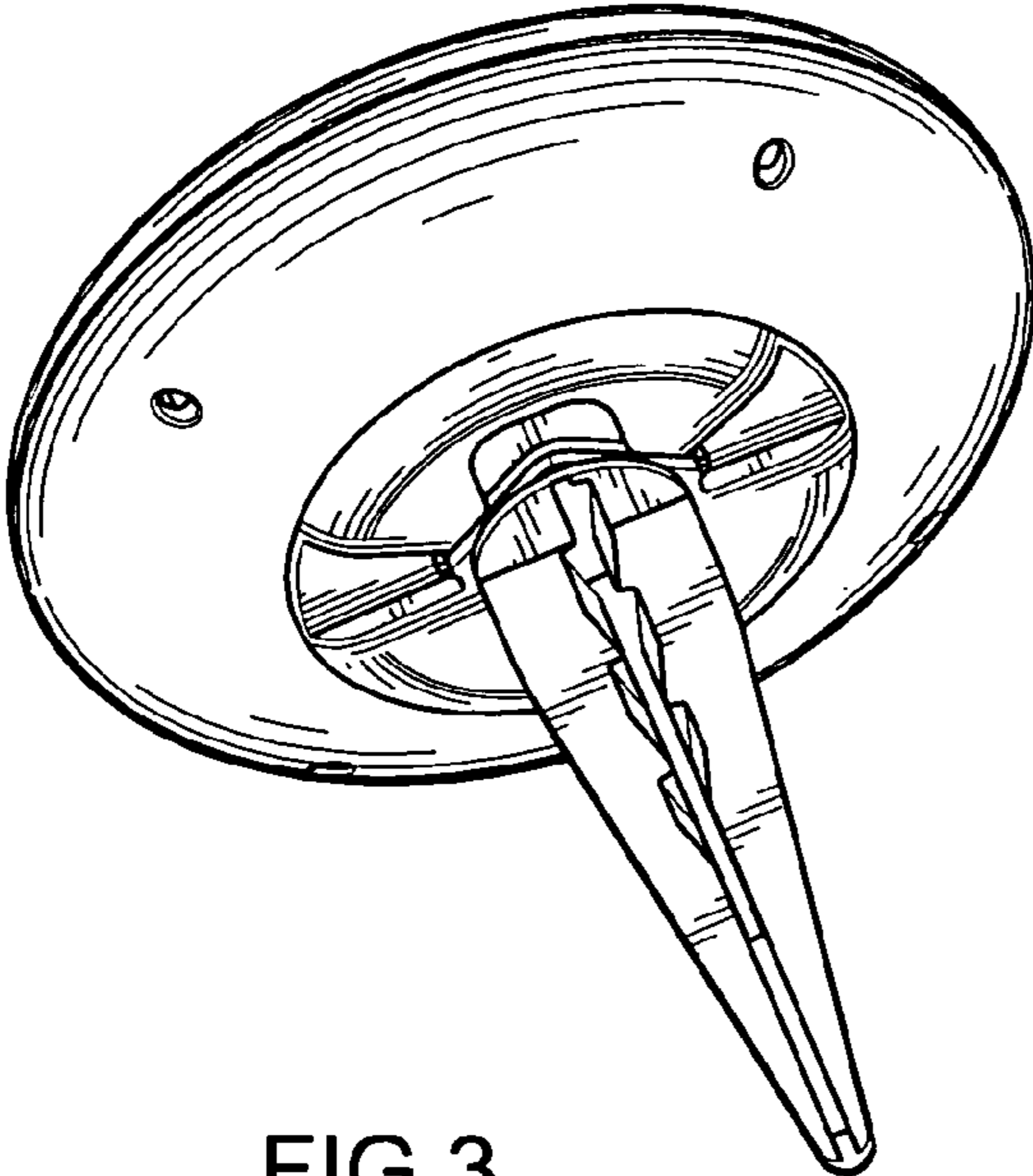


FIG.3

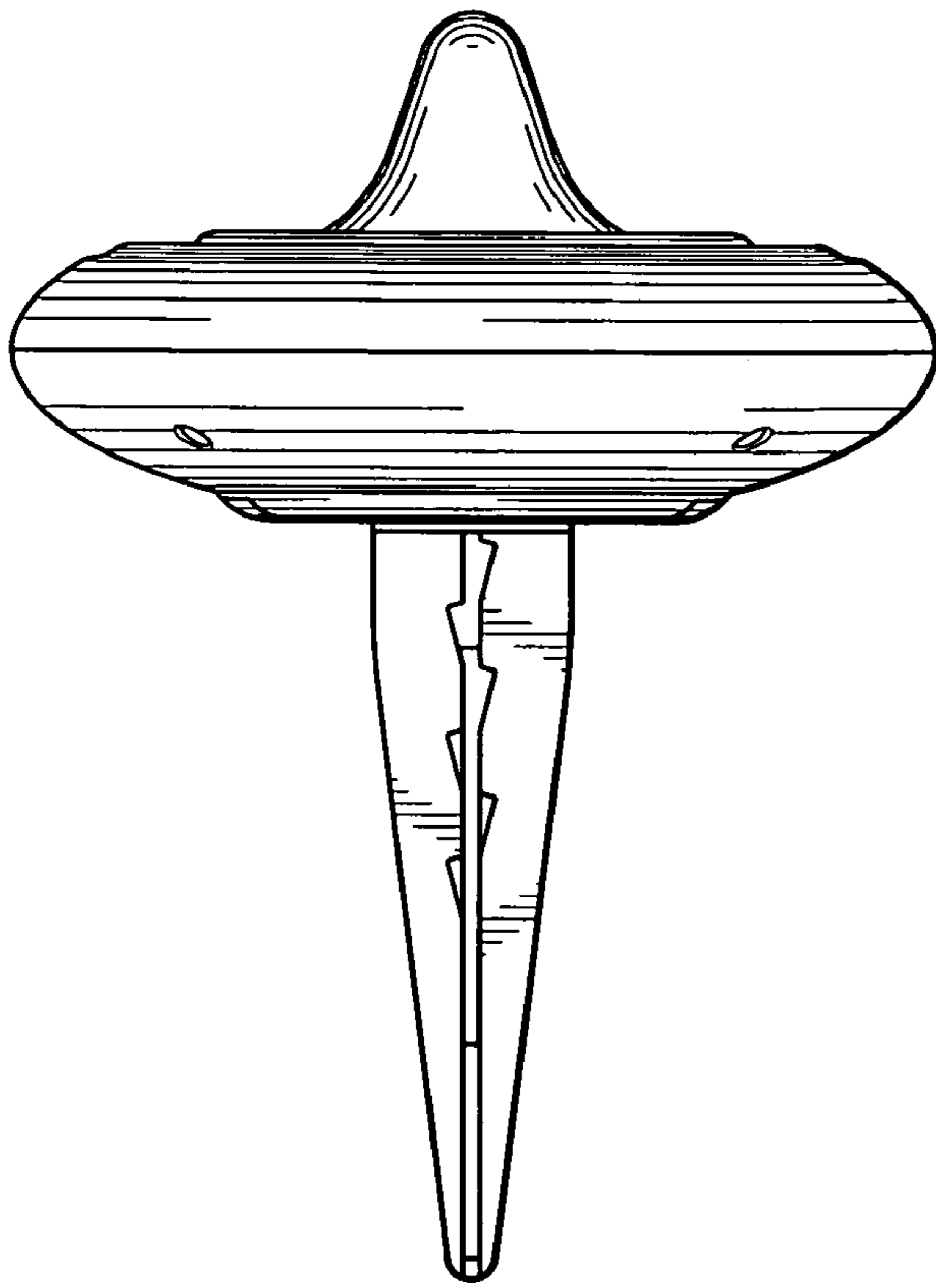


FIG. 4

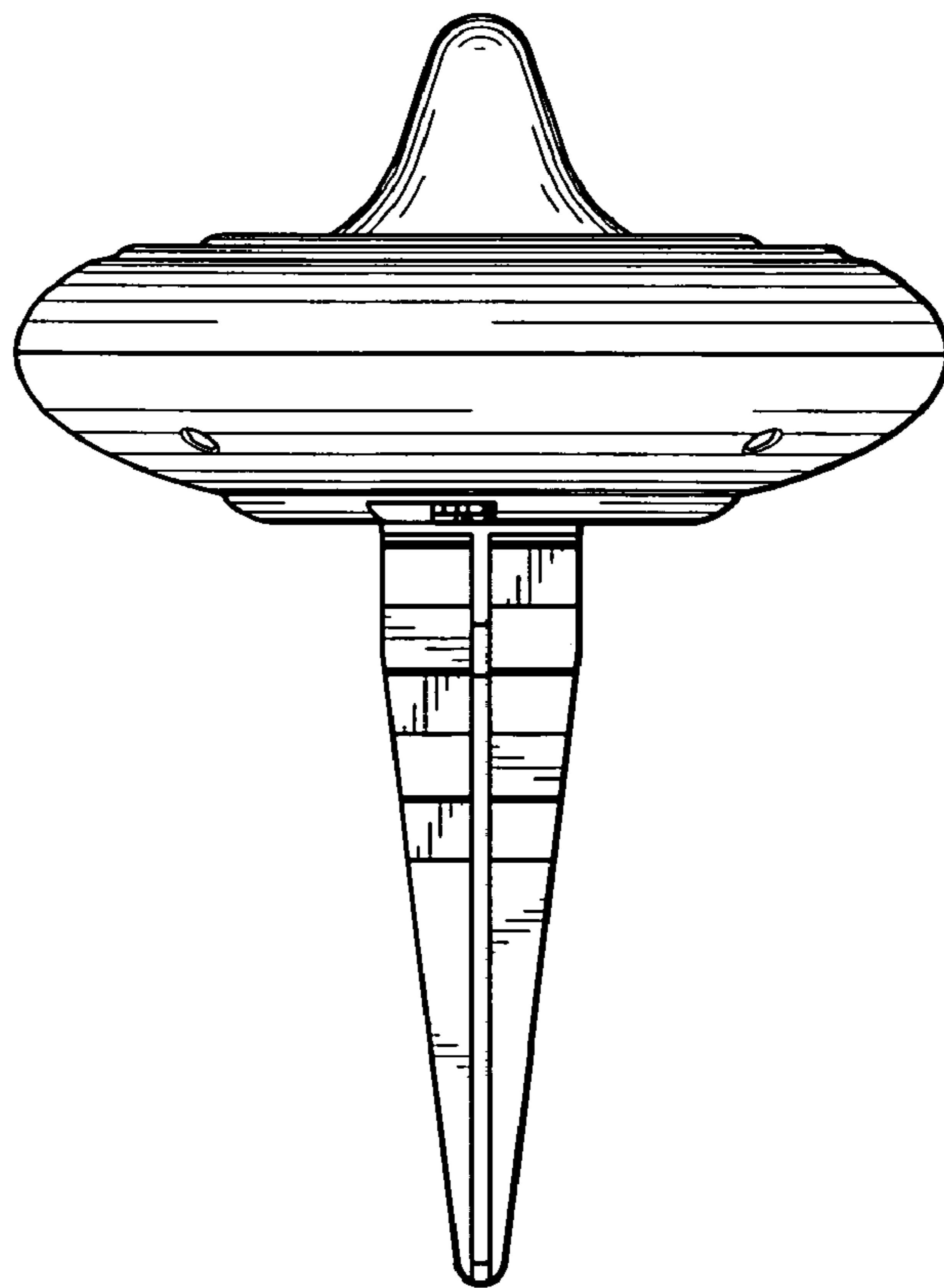


FIG. 5

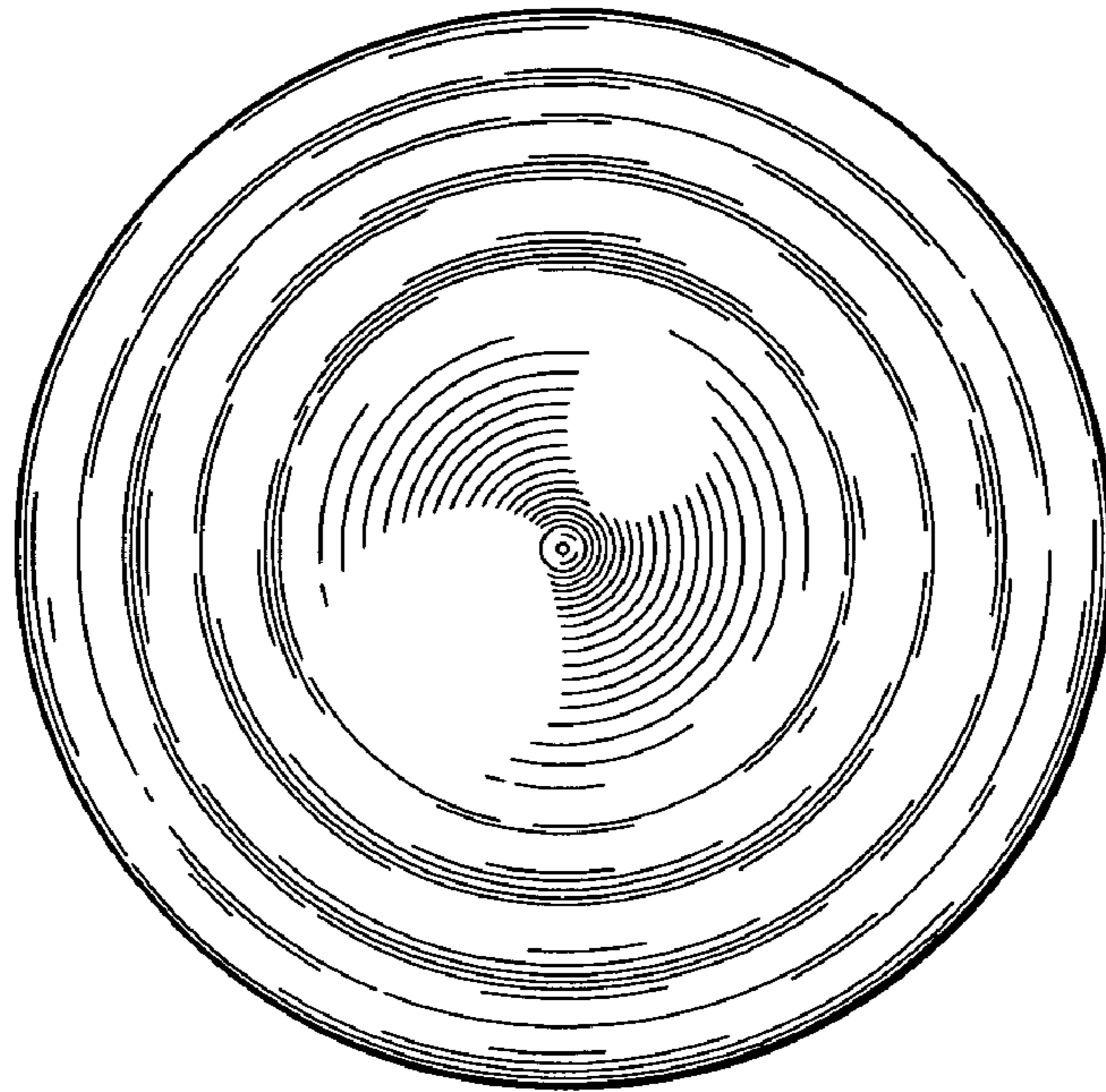


FIG. 6

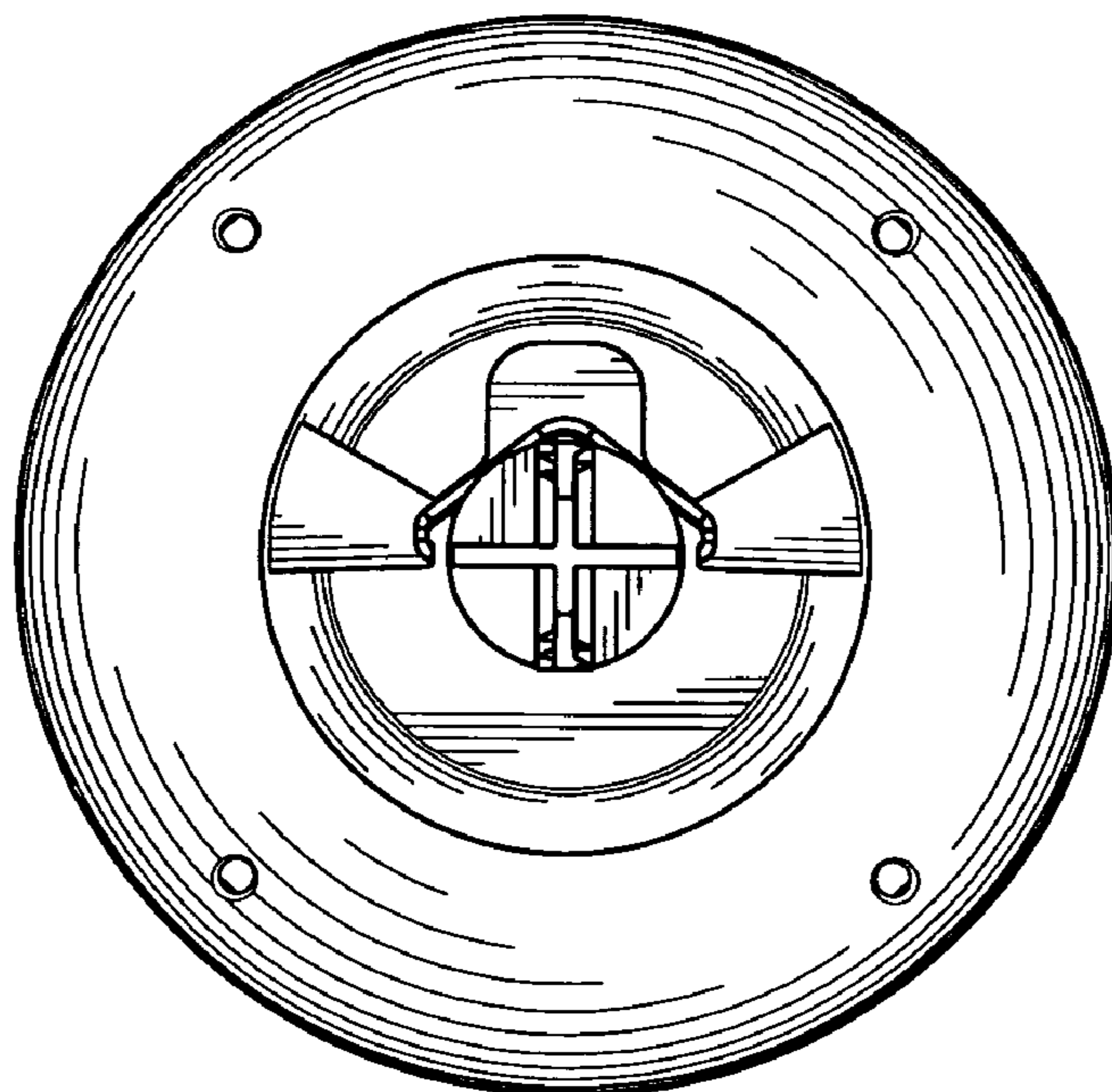


FIG. 7