



US00D605324S

(12) **United States Design Patent**  
**Mier-Langner et al.**

(10) **Patent No.:** **US D605,324 S**  
(45) **Date of Patent:** **\*\* Dec. 1, 2009**

(54) **TRACK FIXTURE LUMINAIRE**

(75) Inventors: **Alejandro Mier-Langner**, Providence, RI (US); **James E. Kuchar**, Fall River, MA (US)

(73) Assignee: **Koninklijke Philips Electronics N.V.**, Eindhoven (NL)

(\*\*) Term: **14 Years**

(21) Appl. No.: **29/317,783**

(22) Filed: **May 6, 2008**

(51) **LOC (9) Cl.** ..... **26-05**

(52) **U.S. Cl.** ..... **D26/63**

(58) **Field of Classification Search** ..... D26/60,  
D26/61, 62, 63, 64, 65, 66, 72, 81, 88, 89,  
D26/90, 91, 154, 24, 44, 77, 119, 121, 152,  
D26/75, 85; 362/145, 147, 148, 150, 218,  
362/220, 223, 648, 227, 238, 239, 249, 250,  
362/372, 418, 430, 269, 270, 271, 272, 273,  
362/274, 277, 278, 282, 283, 285, 287, 288,  
362/290, 309, 427

See application file for complete search history.

(56) **References Cited**

**U.S. PATENT DOCUMENTS**

1,370,255 A	3/1921	Zimmermann, Jr.
1,413,315 A	4/1922	Correll
1,429,762 A	9/1922	Oliver
1,568,942 A	1/1926	Haley
1,590,130 A	6/1926	Sturgeon, Jr.
1,770,726 A	7/1930	Bauersfeld
RE17,825 E	10/1930	Linton et al.
1,821,955 A	9/1931	Wuelker
2,089,610 A	8/1937	Kloos
D113,125 S	1/1939	Stewart
2,143,673 A	1/1939	Baumgartner
2,202,266 A	5/1940	Phillips
2,242,590 A	5/1941	Moreau
D130,059 S	10/1941	Herr
D163,762 S	6/1951	McCann
2,595,520 A	5/1952	Guerin

3,679,893 A	7/1972	Shemitz et al.
3,701,898 A	10/1972	McNamara, Jr.
3,902,059 A	8/1975	McNamara, Jr.
4,128,333 A	12/1978	Levin et al.
4,153,929 A	5/1979	Laudenschlager et al.
D280,346 S	8/1985	Aspenwall
D286,206 S	10/1986	Joosten et al.
D287,413 S *	12/1986	Kusmer et al. .... D26/65
D295,329 S	4/1988	Roos et al.
D325,789 S *	4/1992	Atkinson ..... D26/63

(Continued)

**OTHER PUBLICATIONS**

Lightolier Tangent Track Lighting System FXA1B, copyright 2007, [Retrieved on Mar. 20, 2009]. Retrieved from Internet <<http://www.lightolier.com>>.\*

*Primary Examiner*—Jennifer Rivard  
*Assistant Examiner*—Angela J Lee

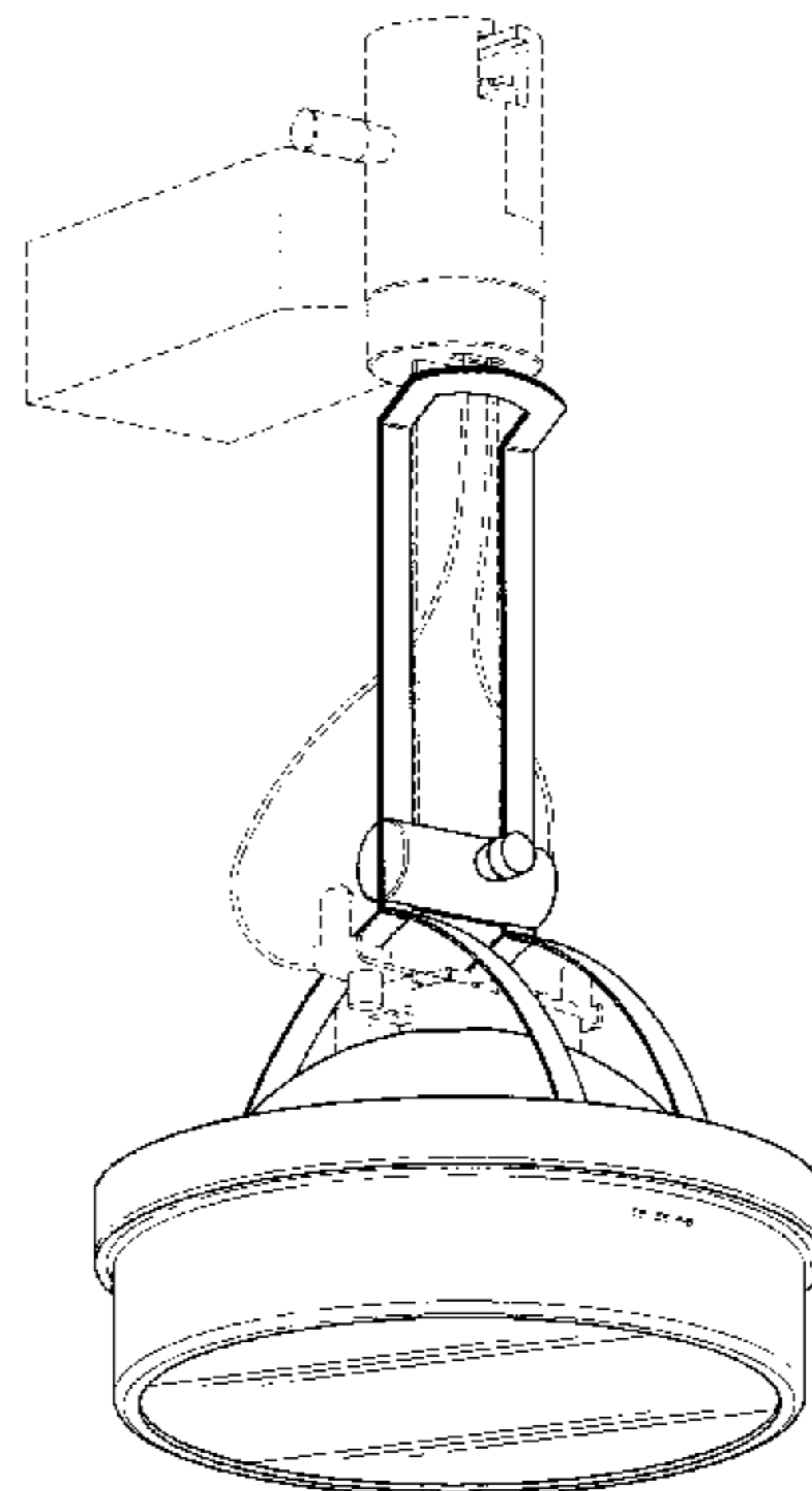
(57) **CLAIM**

The ornamental design for a track fixture luminaire, as shown and described.

**DESCRIPTION**

FIG. 1 is a perspective view of the track fixture luminaire of the present invention;  
FIG. 2 is a left side view of the design of the present invention;  
FIG. 3 is a right side view of the design of the present invention;  
FIG. 4 is a rear view of the design of the present invention;  
FIG. 5 is a front view of the design of the present invention;  
and,  
FIG. 6 is a bottom view of the design of the present invention.  
The broken lines showing environmental structure are for illustrative purposes only and form no part of the claimed design.

**1 Claim, 6 Drawing Sheets**



# US D605,324 S

Page 2

## U.S. PATENT DOCUMENTS

D349,173	S	7/1994	Fellinger		D444,251	S	6/2001 Donato
5,341,276	A *	8/1994	Shen .....	362/648	D445,936	S	7/2001 Mier-Langner et al.
D356,382	S	3/1995	Jaksich		D445,943	S	7/2001 Littman
D358,225	S *	5/1995	Lin .....	D26/63	D446,874	S	8/2001 Demshki
D359,574	S	6/1995	Bornhorst et al.		D447,260	S	8/2001 Demshki
D360,959	S	8/1995	Donato et al.		D449,397	S	10/2001 Demshki
D370,069	S	5/1996	Mier-Langner et al.		D450,405	S	11/2001 Demshki
D370,075	S	5/1996	Mier-Langner et al.		D455,518	S	4/2002 Littman
D371,861	S	7/1996	Stamm		D457,679	S	5/2002 Littman
D380,847	S	7/1997	Mier-Langner et al.		D457,977	S	5/2002 Mier-Langner et al.
D385,372	S	10/1997	Mier-Langner et al.		6,382,817	B1	5/2002 Chelf
D389,260	S	1/1998	Mier-Langner et al.		D459,014	S	6/2002 Chen
D394,723	S	5/1998	Mier-Langner et al.		D459,514	S	6/2002 Mier-Langner et al.
5,765,939	A	6/1998	Tanner, Jr.		D460,835	S	7/2002 Chen
D399,327	S *	10/1998	Lin .....	D26/63	D461,019	S	7/2002 Donato
D400,996	S *	11/1998	Tang .....	D26/63	D463,879	S	10/2002 Mier-Langner et al.
D402,964	S	12/1998	Kuchar et al.		D472,337	S	3/2003 Bernhart et al.
D413,176	S	8/1999	Mier-Langner		D474,304	S	5/2003 Mier-Langner et al.
D417,300	S	11/1999	Stacy et al.		D475,157	S	5/2003 Mier-Langner et al.
5,988,829	A	11/1999	Holder		6,676,281	B2 *	1/2004 Bray et al. .... 362/391
D430,326	S	8/2000	Littman		D505,221	S	5/2005 Hetfield
D433,178	S	10/2000	Donato		D509,616	S	9/2005 Hetfield
6,135,613	A	10/2000	Bodell et al.		D511,222	S	11/2005 Hetfield
D433,763	S	11/2000	Donato		D513,439	S	1/2007 Hetfield
D436,211	S	1/2001	Neeld et al.		D535,422	S *	1/2007 Mier-Langner et al. .... D26/63
D436,678	S	1/2001	Mier-Langner et al.		D536,817	S *	2/2007 Mier-Langner et al. .... D26/63
D437,437	S	2/2001	Donato		D538,966	S *	3/2007 Lehman et al. .... D26/138
D437,953	S	2/2001	Donato		D558,381	S	12/2007 Horn et al.
D438,326	S	2/2001	Kan		D563,022	S	2/2008 Hetfield et al.
D439,998	S *	4/2001	Lin .....	D26/63	D563,025	S	2/2008 Hetfield et al.
D440,343	S	4/2001	Littman		D563,590	S	3/2008 Hetfield et al.
D443,940	S	6/2001	Donato		2006/0013009	A1 *	1/2006 Falco, Jr. .... 362/418
D443,945	S	6/2001	Littman		2006/0039168	A1 *	2/2006 Mier-Langner et al. .... 362/648

\* cited by examiner

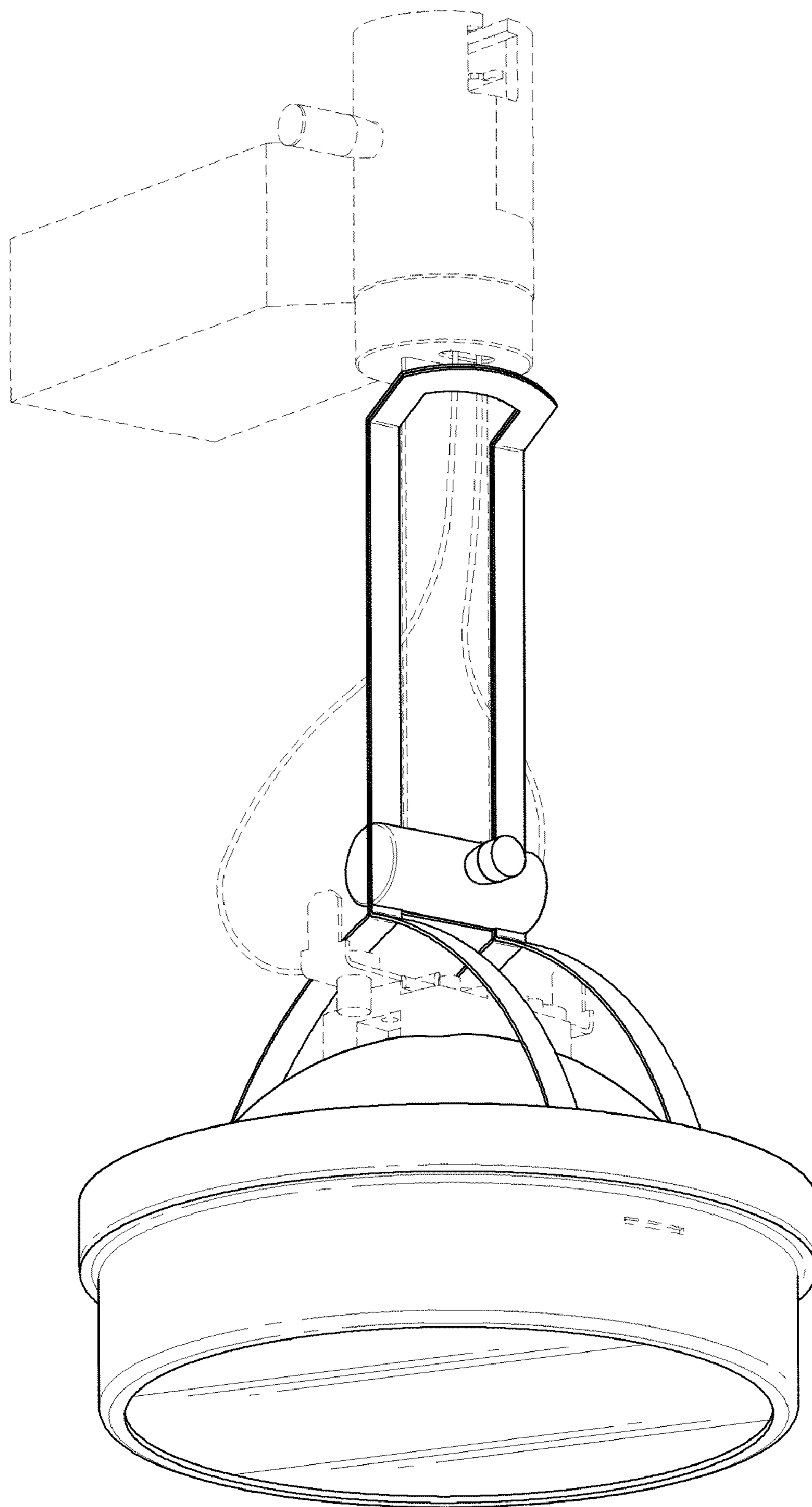


FIG. 1

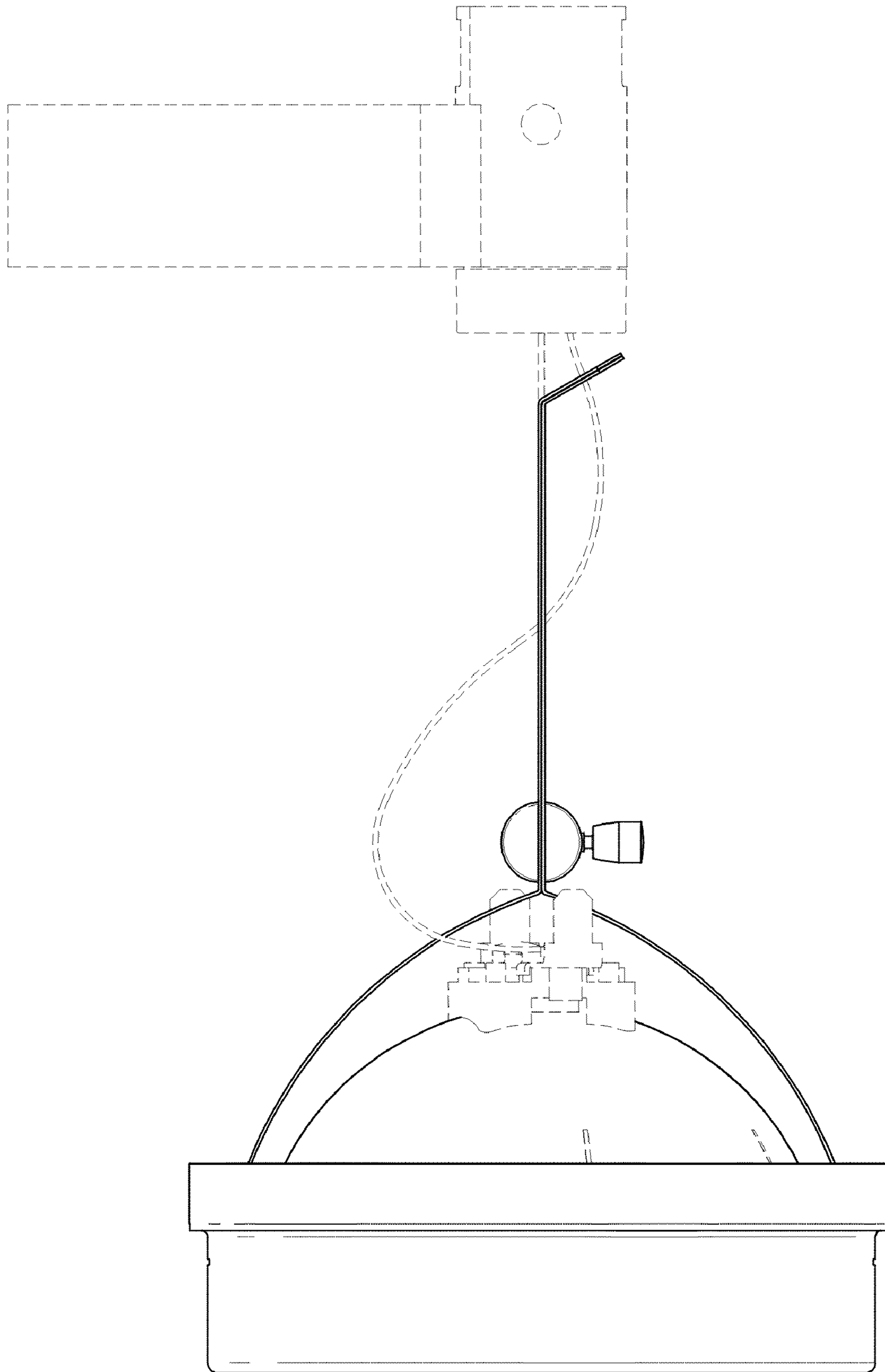


FIG. 2

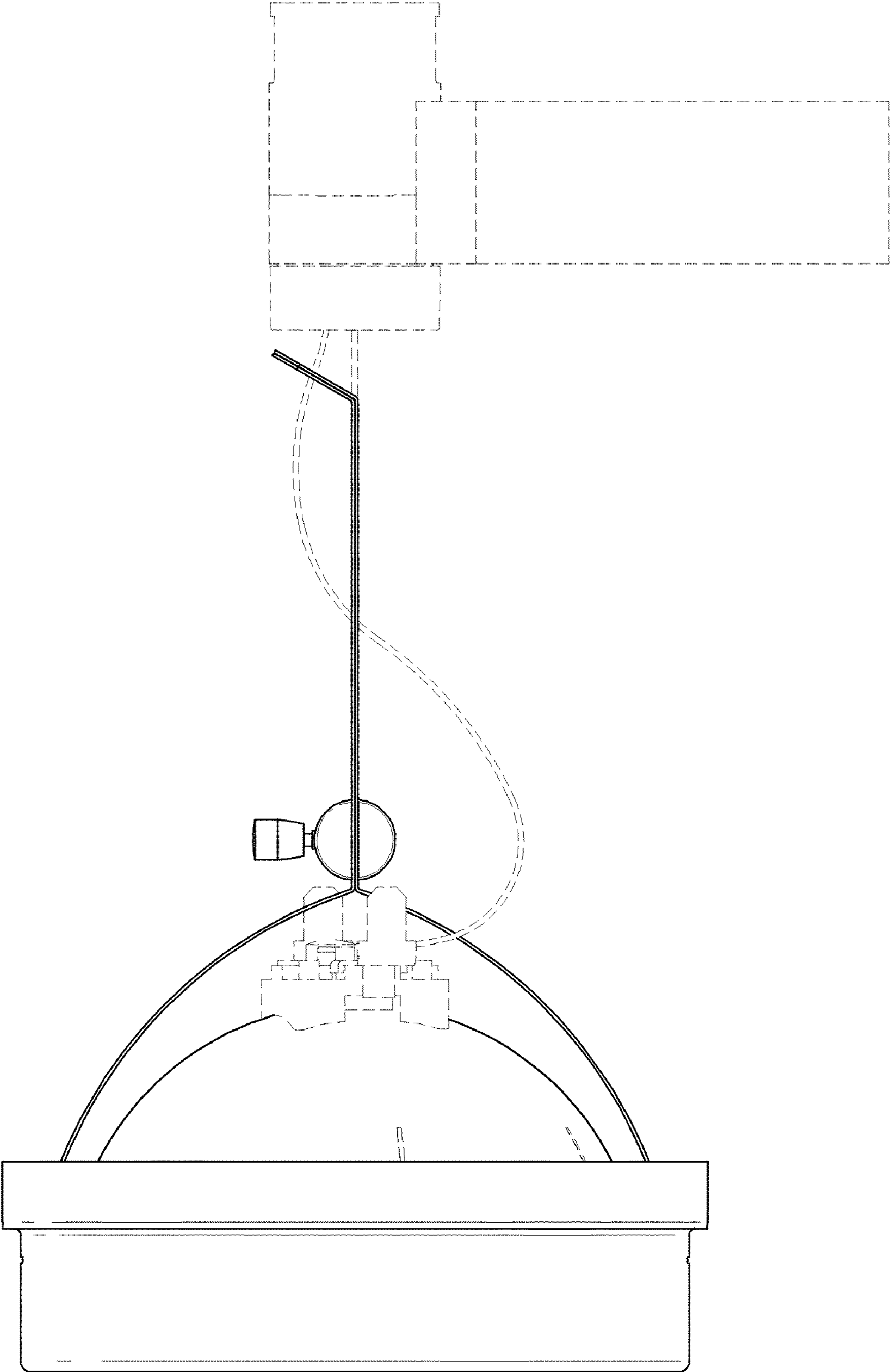


FIG. 3

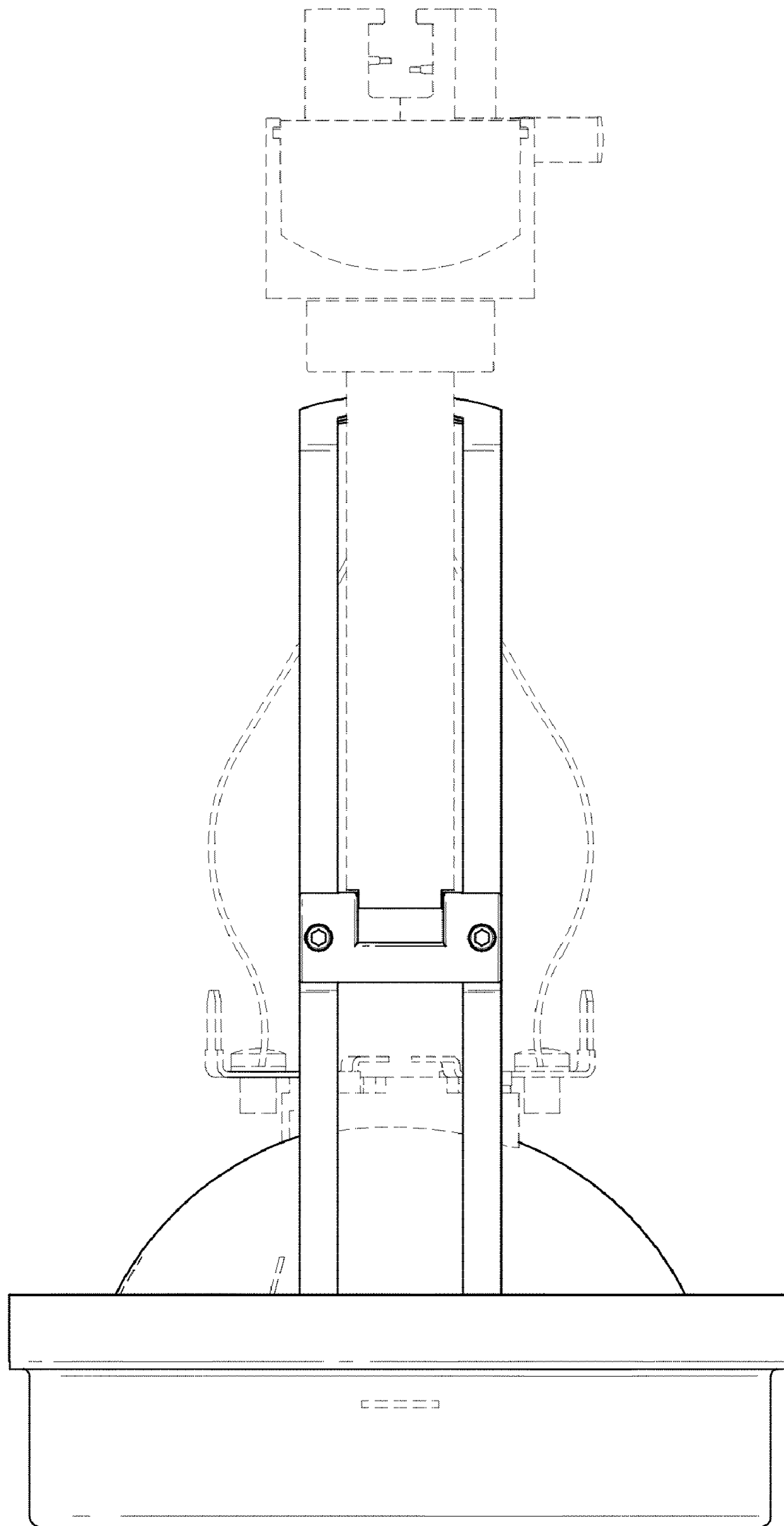


FIG. 4

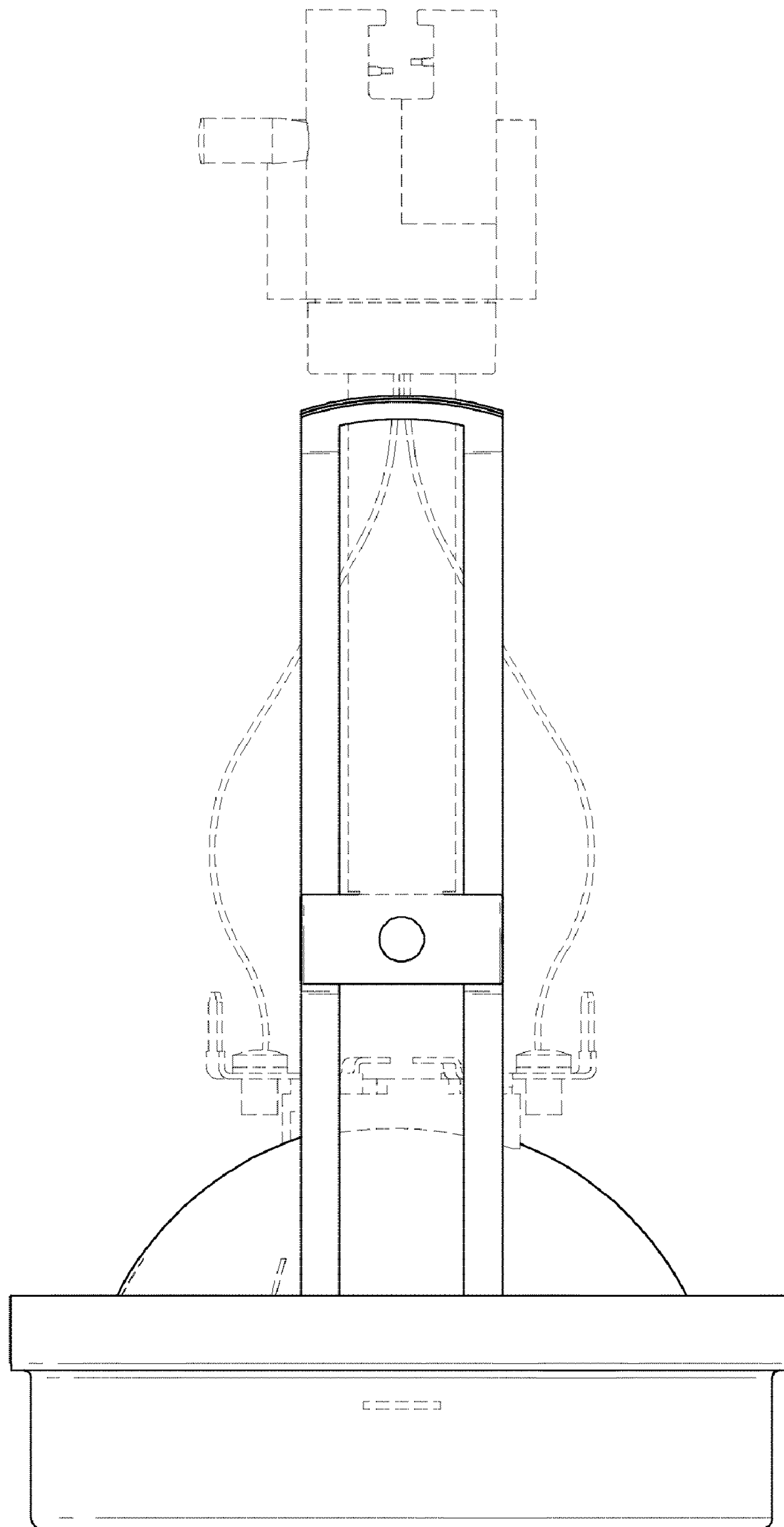


FIG. 5

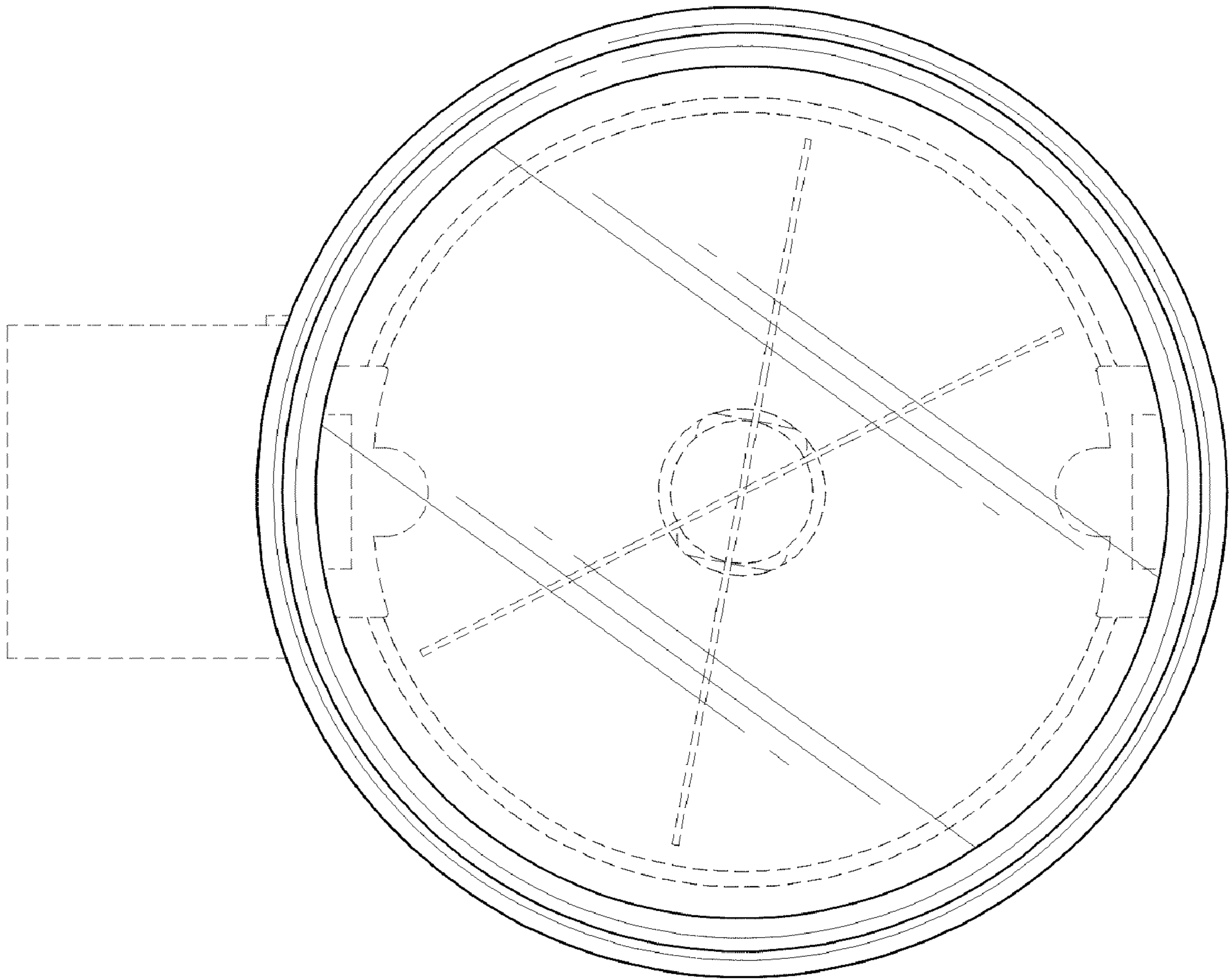


FIG. 6