



US00D605323S

(12) **United States Design Patent**
Mier-Langner et al.

(10) **Patent No.:** **US D605,323 S**
(45) **Date of Patent:** **** Dec. 1, 2009**

(54) **TRACK FIXTURE LUMINAIRE**
(75) Inventors: **Alejandro Mier-Langner**, Providence, RI (US); **James E. Kuchar**, Fall River, MA (US)
(73) Assignee: **Koninklijke Philips Electronics N.V.**, Eindhoven (NL)
(**) Term: **14 Years**

D130,059 S 10/1941 Herr
D163,762 S 6/1951 McCann
2,595,520 A 5/1952 Guerin
3,679,893 A 7/1972 Shemitz et al.
3,701,898 A 10/1972 McNamara, Jr.
3,902,059 A 8/1975 McNamara, Jr.
4,128,333 A 12/1978 Levin et al.
4,153,929 A 5/1979 Laudenschlager et al.
D280,346 S 8/1985 Aspenwall
D286,206 S 10/1986 Joosten et al.
D295,329 S 4/1988 Roos et al.

(21) Appl. No.: **29/317,782**

(Continued)

(22) Filed: **May 6, 2008**

OTHER PUBLICATIONS

(51) **LOC (9) Cl.** **26-05**
(52) **U.S. Cl.** **D26/63**
(58) **Field of Classification Search** D26/60,
D26/61, 62, 63, 64, 65, 66, 72, 81, 88, 89,
D26/90, 91, 154, 24, 44, 77, 119, 121, 152,
D26/75, 85; 362/145, 147, 148, 150, 218,
362/220, 223, 648, 227, 238, 239, 249, 250,
362/372, 418, 430, 269, 270, 271, 272, 273,
362/274, 277, 278, 282, 283, 285, 287, 288,
362/290, 309, 427

Lightolier Tangent Track Lighting System FX16B, copyright 2007, [Retrieved on Mar. 20, 2009]. Retrieved from Internet <<http://www.lightolier.com>>.*

Primary Examiner—Jennifer Rivard
Assistant Examiner—Angela J Lee

See application file for complete search history.

(57) **CLAIM**

The ornamental design for a track fixture luminaire, as shown and described.

(56) **References Cited**

DESCRIPTION

U.S. PATENT DOCUMENTS

1,370,255 A 3/1921 Zimmermann, Jr
1,413,315 A 4/1922 Correll
1,429,762 A 9/1922 Oliver
1,568,942 A 1/1926 Haley
1,770,726 A 7/1930 Bauersfeld
RE17,825 E 10/1930 Linton et al.
1,821,955 A 9/1931 Wuelker
1,590,130 A 6/1936 Sturgeon, Jr.
2,089,610 A 8/1937 Kloos
D113,125 S 1/1939 Stewart
2,143,673 A 1/1939 Baumgartner
2,202,266 A 5/1940 Phillips
2,242,590 A 5/1941 Moreau

FIG. 1 is a perspective view of the track fixture luminaire of the present invention;

FIG. 2 is a front view of the design of the present invention;

FIG. 3 is a rear view of the design of the present invention;

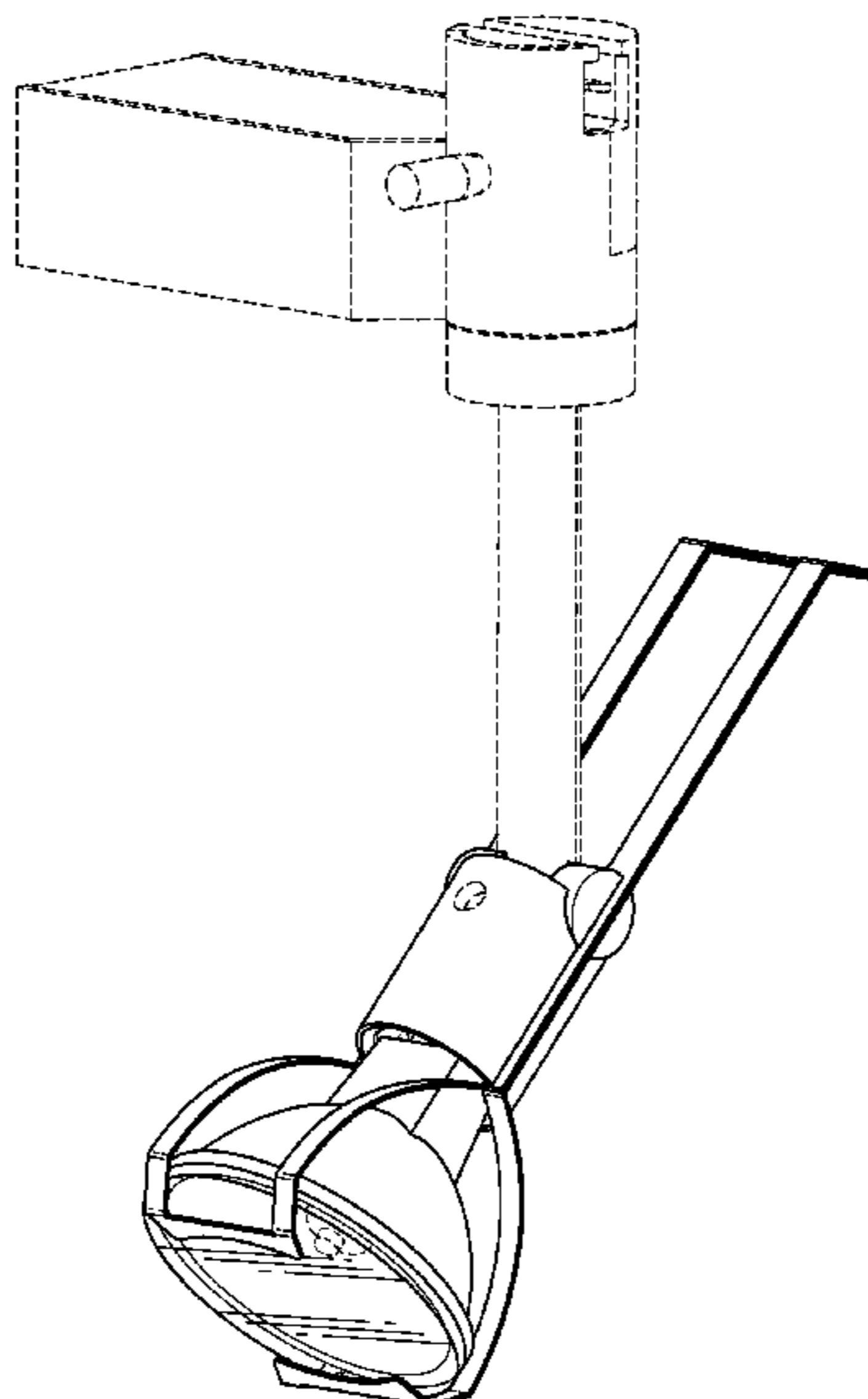
FIG. 4 is a left side view of the design of the present invention;

FIG. 5 is a right side view of the design of the present invention; and,

FIG. 6 is a bottom view of the design of the present invention.

The broken lines showing environmental structure are for illustrative purposes only and form no part of the claimed design.

1 Claim, 6 Drawing Sheets



US D605,323 S

Page 2

U.S. PATENT DOCUMENTS

D325,789 S *	4/1992	Atkinson	D26/63	D440,343 S	4/2001	Littman	
D349,173 S	7/1994	Fellinger		D443,940 S	6/2001	Donato	
5,341,276 A *	8/1994	Shen	362/648	D443,945 S	6/2001	Littman	
D351,676 S *	10/1994	Phleps	D26/63	D444,251 S	6/2001	Donato	
D355,723 S *	2/1995	Roos et al.	D26/63	D445,936 S	7/2001	Mier-Langner et al.	
D356,382 S	3/1995	Jaksich		D445,943 S	7/2001	Littman	
D358,225 S *	5/1995	Lin	D26/63	D446,874 S	8/2001	Demshki	
D359,574 S	6/1995	Bornhorst et al.		D447,260 S	8/2001	Demshki	
D360,959 S	8/1995	Donato et al.		D449,397 S	10/2001	Demshki	
D370,069 S	5/1996	Mier-Langner et al.		D450,405 S	11/2001	Demshki	
D370,075 S	5/1996	Mier-Langner et al.		D455,518 S	4/2002	Littman	
D371,861 S	7/1996	Stamm		D457,679 S	5/2002	Littman	
5,584,576 A *	12/1996	Wei Hong	362/396	D457,977 S	5/2002	Mier-Langner et al.	
D380,847 S	7/1997	Mier-Langner et al.		6,382,817 B1	5/2002	Chelf	
D385,372 S	10/1997	Mier-Langner et al.		D459,014 S	6/2002	Chen	
D389,260 S	1/1998	Mier-Langner et al.		D459,514 S	6/2002	Mier-Langner et al.	
D394,723 S	5/1998	Mier-Langner et al.		D460,835 S	7/2002	Chen	
5,765,939 A	6/1998	Tanner, Jr.		D461,019 S	7/2002	Donato	
D399,327 S *	10/1998	Lin	D26/63	D463,879 S	10/2002	Mier-Langner et al.	
D400,996 S *	11/1998	Tang	D26/63	D472,337 S	3/2003	Bernhart et al.	
D402,964 S	12/1998	Kuchar et al.		D474,304 S	5/2003	Mier-Langner et al.	
D413,176 S	8/1999	Mier-Langner		D475,157 S	5/2003	Mier-Langner et al.	
D417,300 S	11/1999	Stacy et al.		6,676,281 B2 *	1/2004	Bray et al.	362/391
5,988,829 A	11/1999	Holder		D488,880 S *	4/2004	Rahn	D26/72
D430,326 S	8/2000	Littman		D505,221 S	5/2005	Hetfield	
D433,178 S	10/2000	Donato		D509,616 S	9/2005	Hetfield	
6,135,613 A	10/2000	Bodell et al.		D511,222 S	11/2005	Hetfield	
D433,763 S	11/2000	Donato		D513,439 S	1/2007	Hetfield	
D436,211 S	1/2001	Neeld et al.		D535,422 S *	1/2007	Mier-Langner et al.	D26/63
D436,678 S	1/2001	Mier-Langner et al.		D558,381 S	12/2007	Horn et al.	
D437,437 S	2/2001	Donato		D563,022 S	2/2008	Hetfield et al.	
D437,953 S	2/2001	Donato		D563,025 S	2/2008	Hetfield et al.	
D438,326 S	2/2001	Kan		D563,590 S	3/2008	Hetfield et al.	
D439,998 S *	4/2001	Lin	D26/63	2006/0013009 A1 *	1/2006	Falco	362/418

* cited by examiner

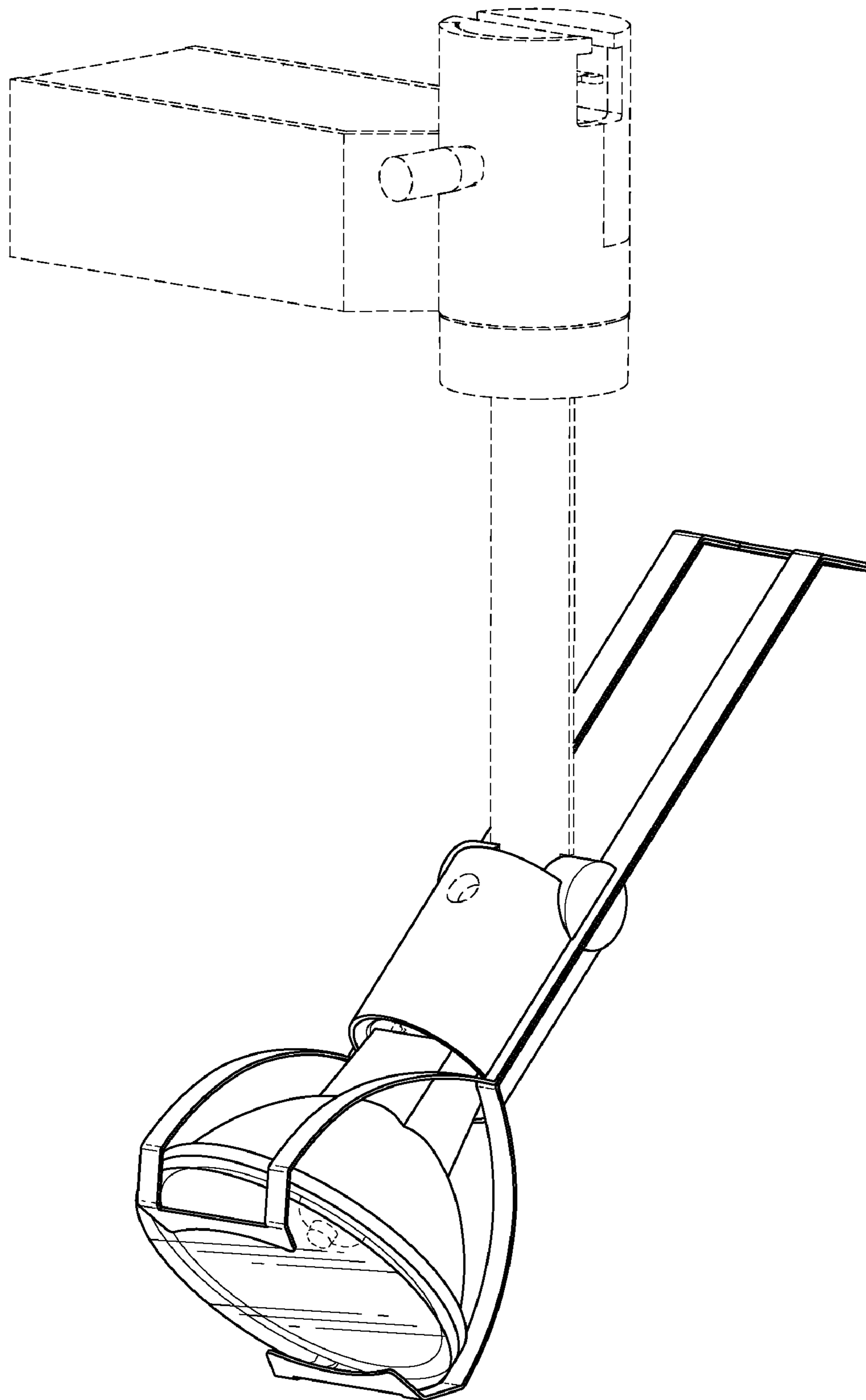


FIG. 1

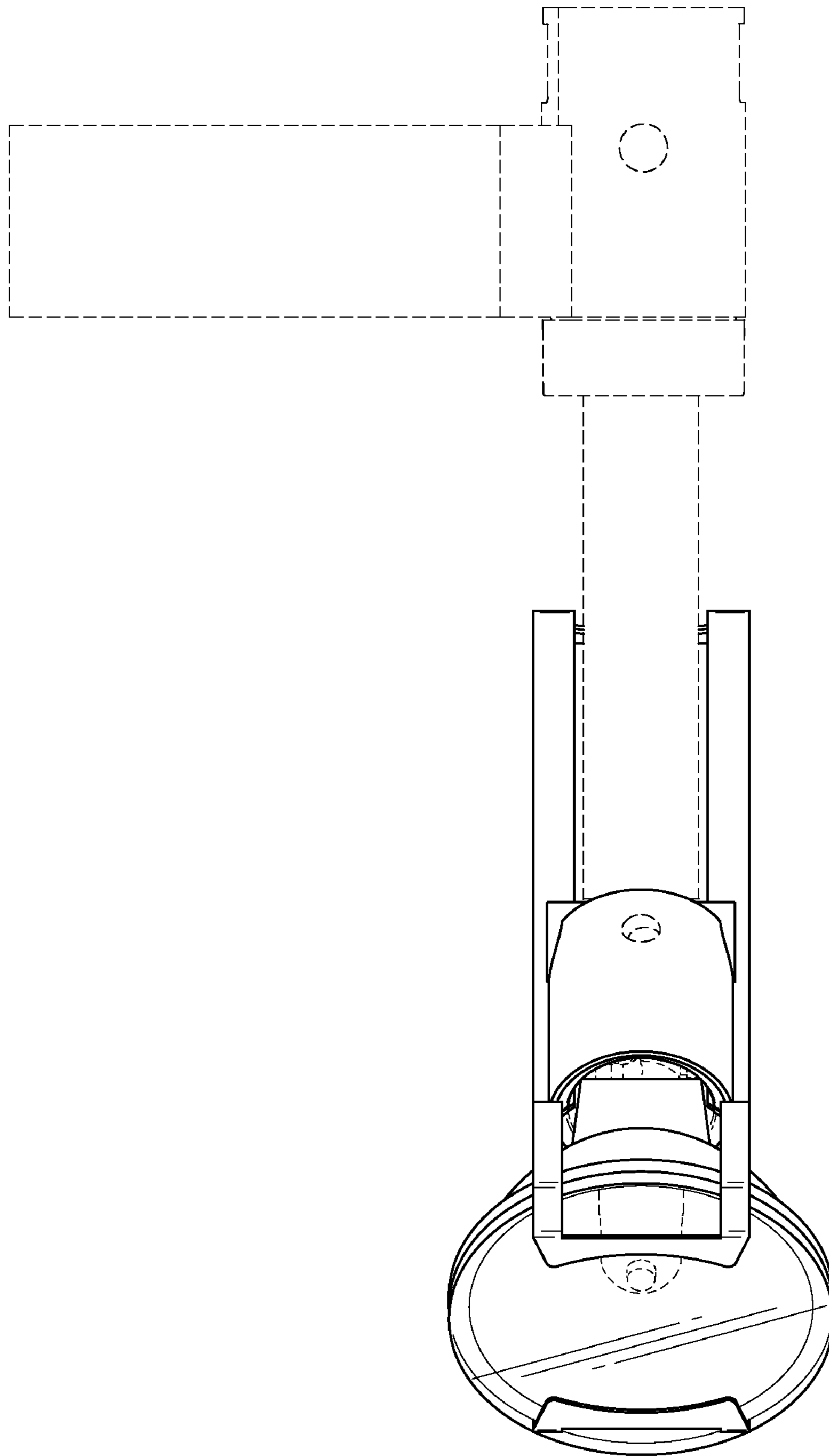


FIG. 2

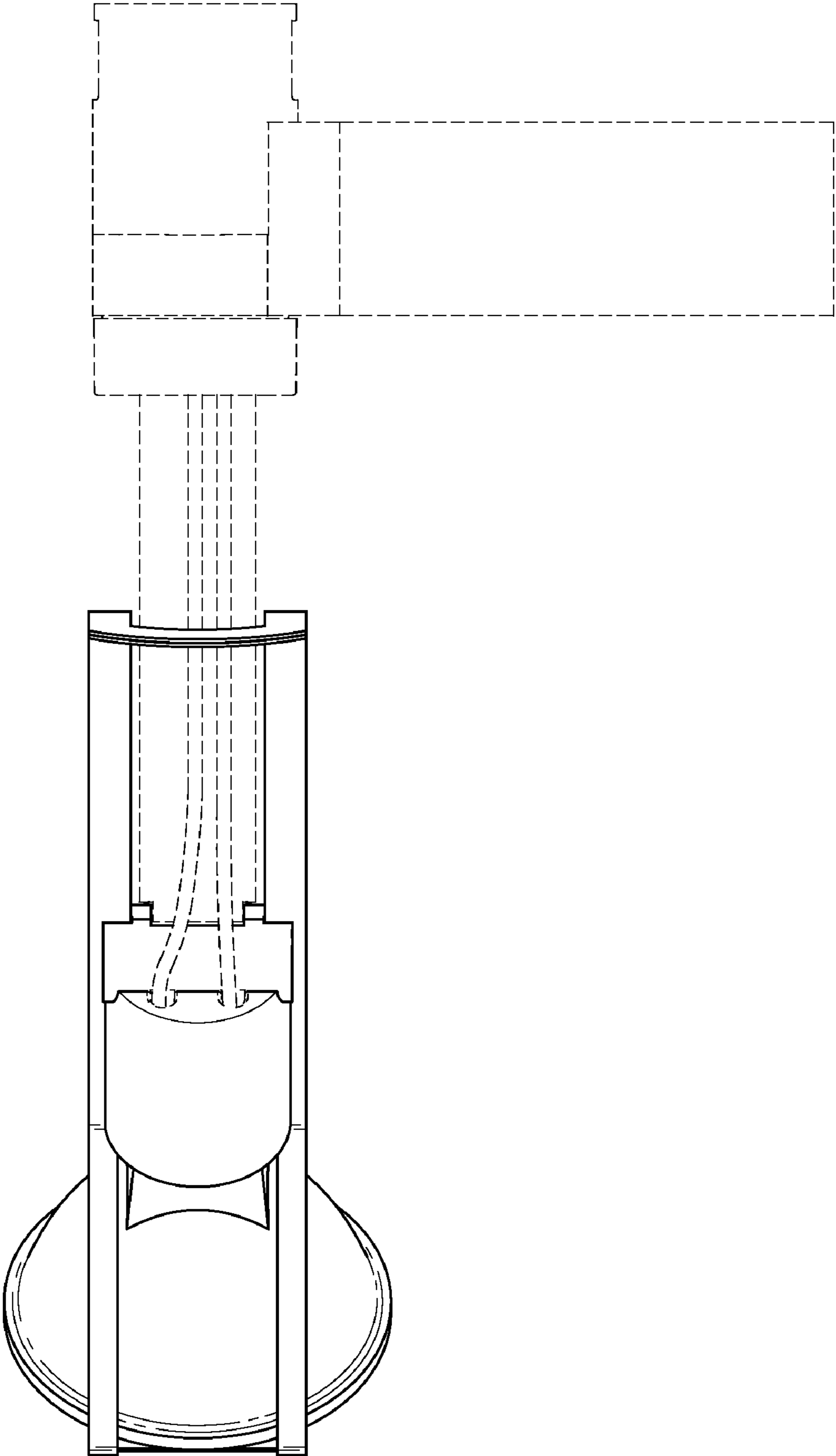


FIG. 3

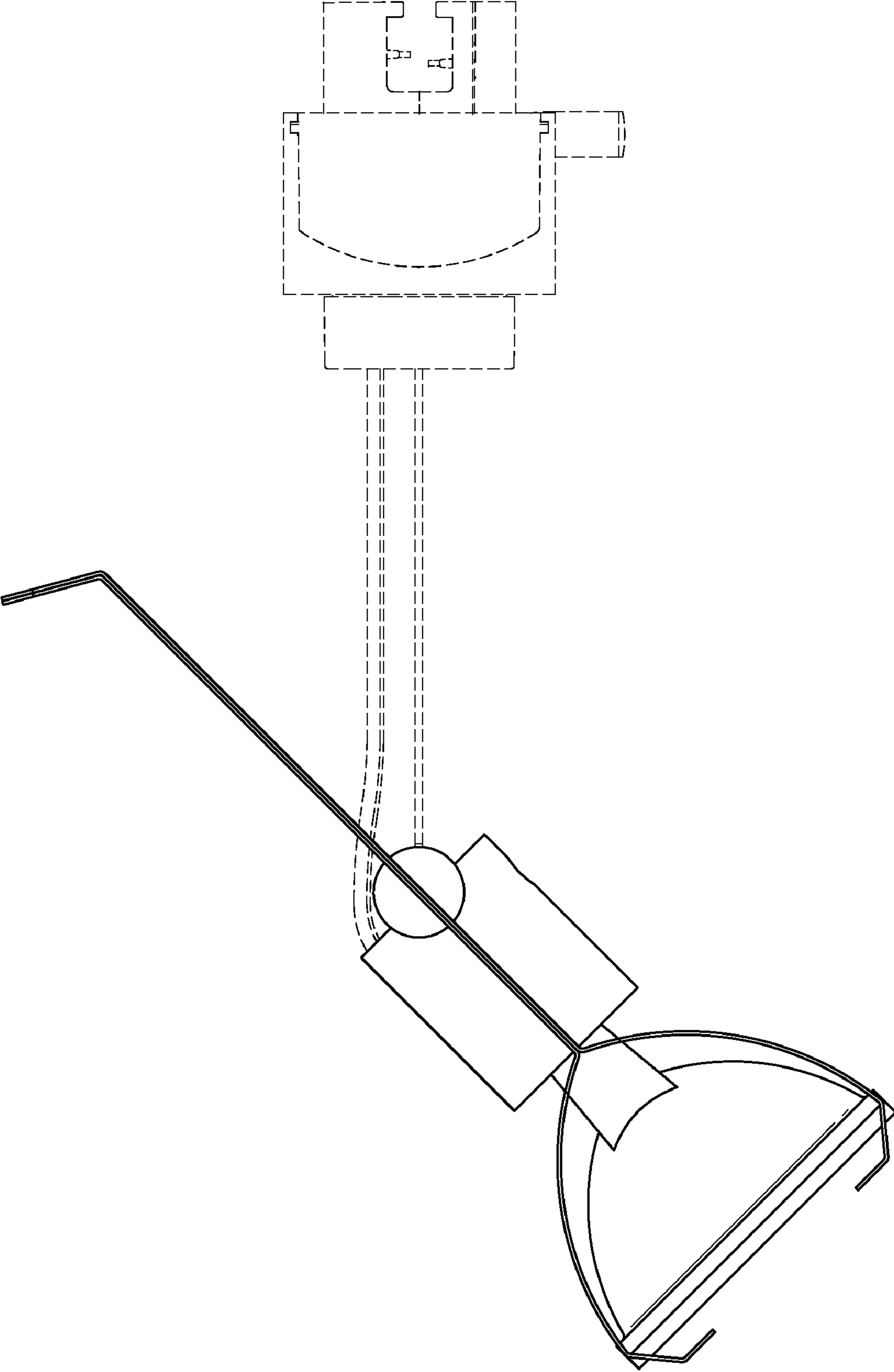


FIG. 4

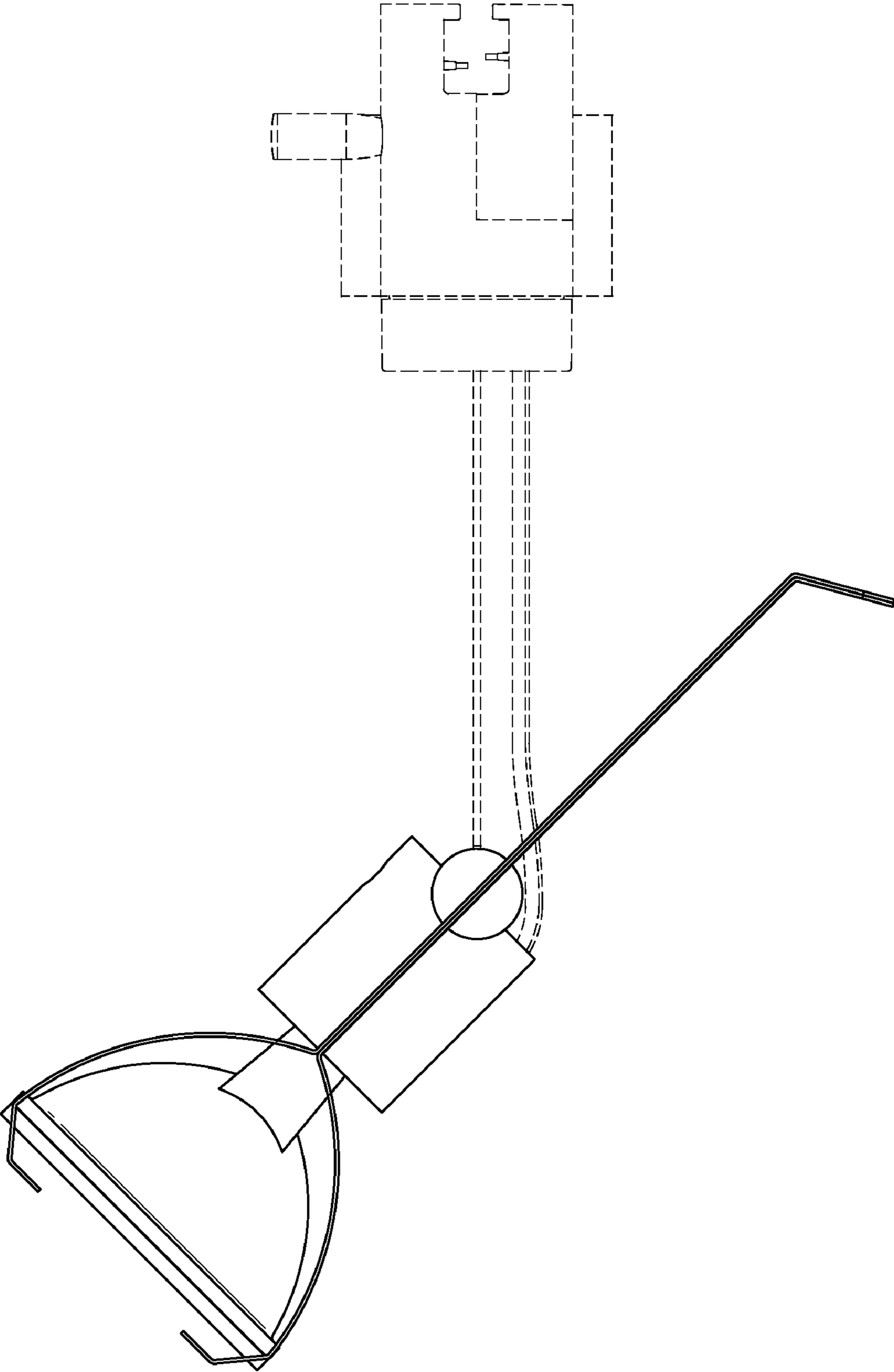


FIG. 5

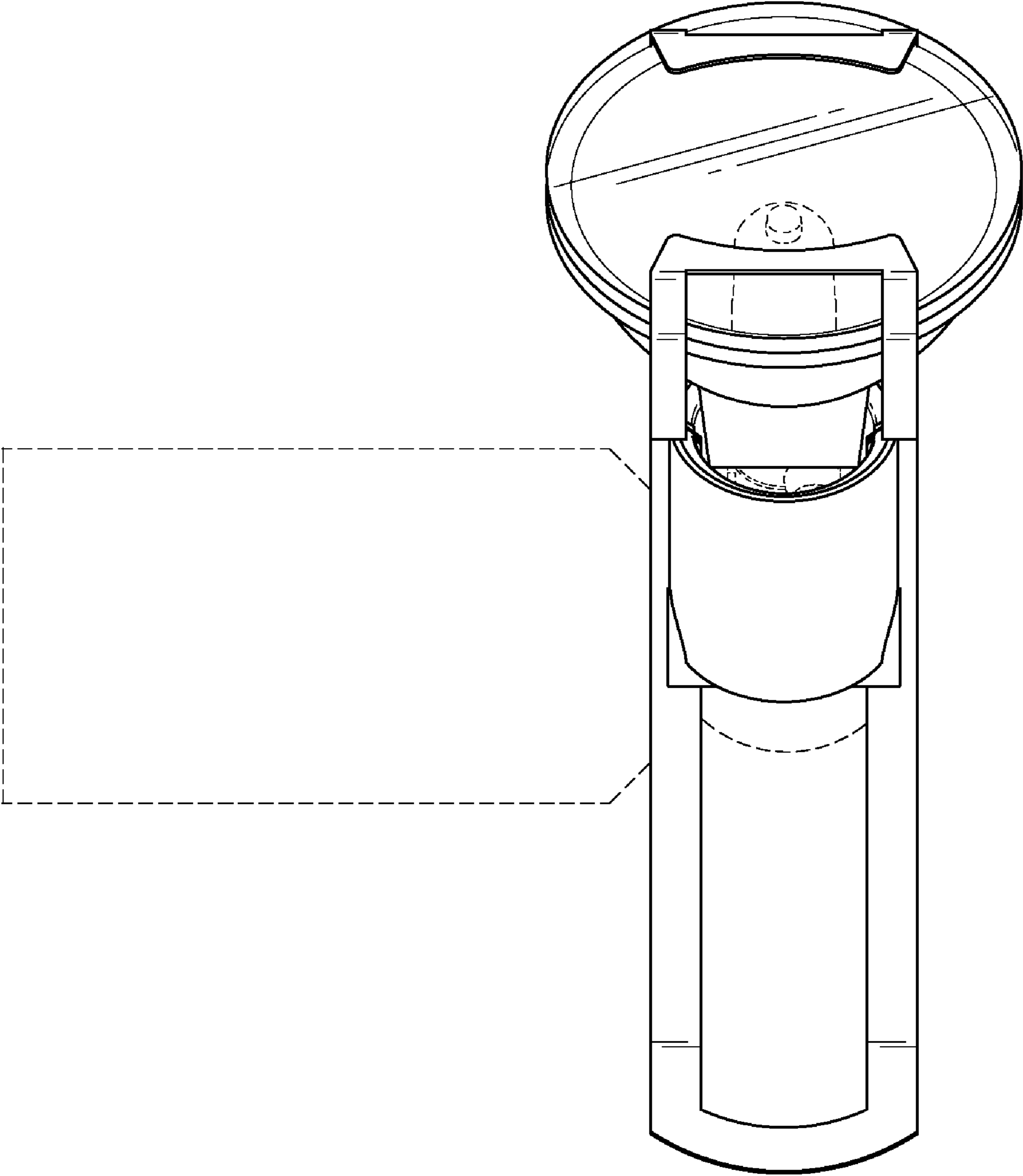


FIG. 6