



US00D605322S

(12) **United States Design Patent**
Lee

(10) **Patent No.:** **US D605,322 S**
(45) **Date of Patent:** **** Dec. 1, 2009**

(54) **CLIPPING LAMP**

(76) Inventor: **Wen-Sung Lee**, No. 72, Chaoguei Rd.,
Situn District, Taichung City 407 (TW)

(**) Term: **14 Years**

(21) Appl. No.: **29/297,243**

(22) Filed: **Nov. 7, 2007**

(51) **LOC (9) Cl.** **26-05**

(52) **U.S. Cl.** **D26/60**

(58) **Field of Classification Search** D26/37,
D26/39, 51, 60-63, 65, 67, 71; 362/98, 99,
362/102, 109-114, 191, 197, 198, 287, 427,
362/396, 431

See application file for complete search history.

(56) **References Cited**

U.S. PATENT DOCUMENTS

D149,810 S *	6/1948	Graef	D28/77
D278,658 S *	4/1985	Tanaka	D26/60
D301,753 S *	6/1989	Iacovelli	D26/60
D336,351 S *	6/1993	Freese et al.	D26/60
D374,100 S *	9/1996	Chen	D26/60
D381,448 S *	7/1997	Chen	D26/60
5,688,037 A *	11/1997	Chen	362/98
D401,371 S *	11/1998	Chen	D26/38

D479,550 S * 9/2003 Shao et al. D16/218
2006/0083009 A1* 4/2006 Hsu 362/396

* cited by examiner

Primary Examiner—Cathron C Brooks

Assistant Examiner—Barbara Fox

(74) *Attorney, Agent, or Firm*—Banger Shia

(57) **CLAIM**

I claim the ornamental design for a clipping lamp, as shown and described.

DESCRIPTION

FIG. 1 is a perspective view of a clipping lamp, showing my new design;

FIG. 2 is a front elevational view thereof;

FIG. 3 is a rear elevational view thereof;

FIG. 4 is a left side elevational view thereof;

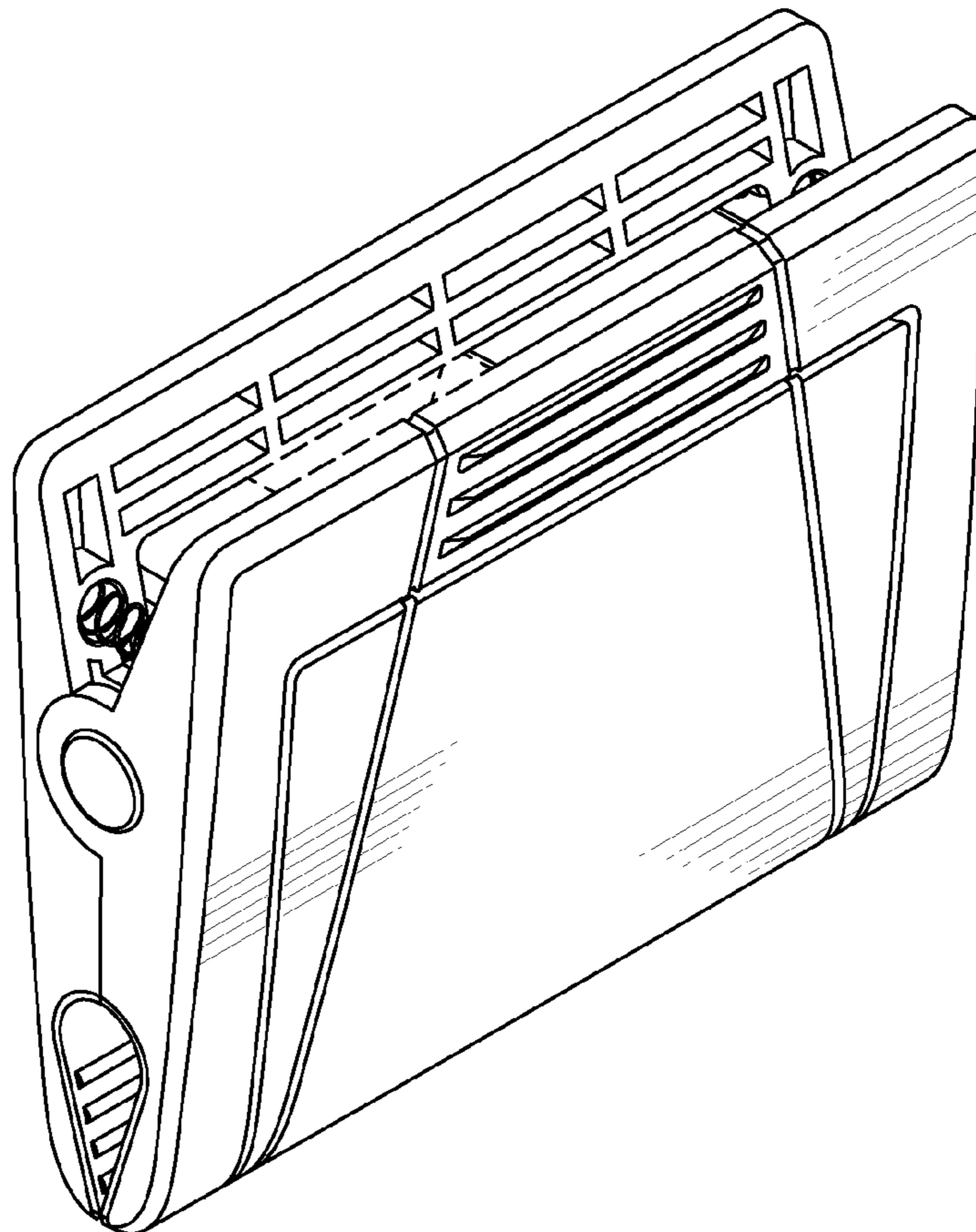
FIG. 5 is a right side elevational view thereof;

FIG. 6 is a top plan view thereof; and,

FIG. 7 is a bottom plan view thereof.

The broken lines shown in the drawings are for the purpose of illustrating unclaimed portions of the clipping lamp and form no part of the claimed design.

1 Claim, 7 Drawing Sheets



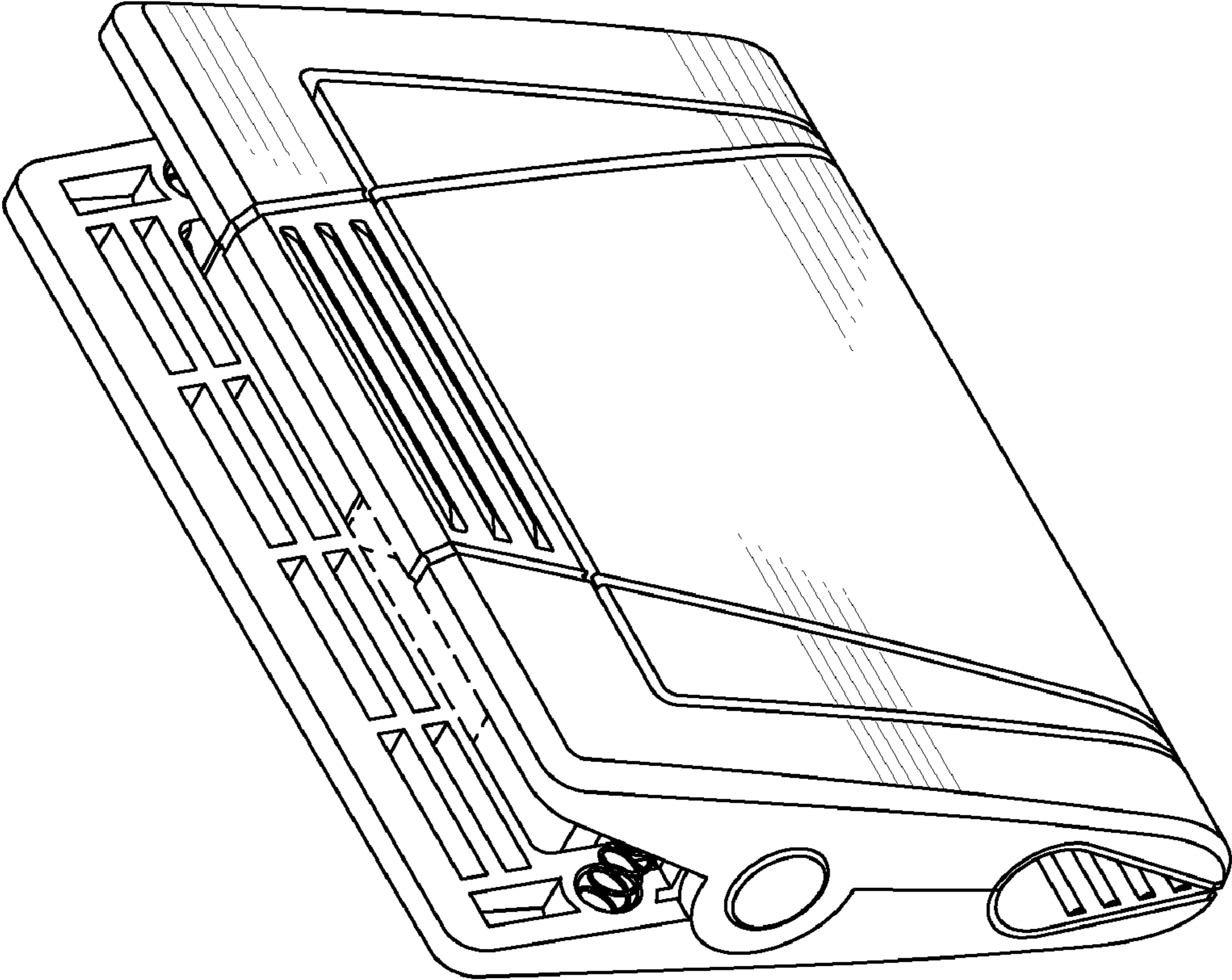


FIG. 1

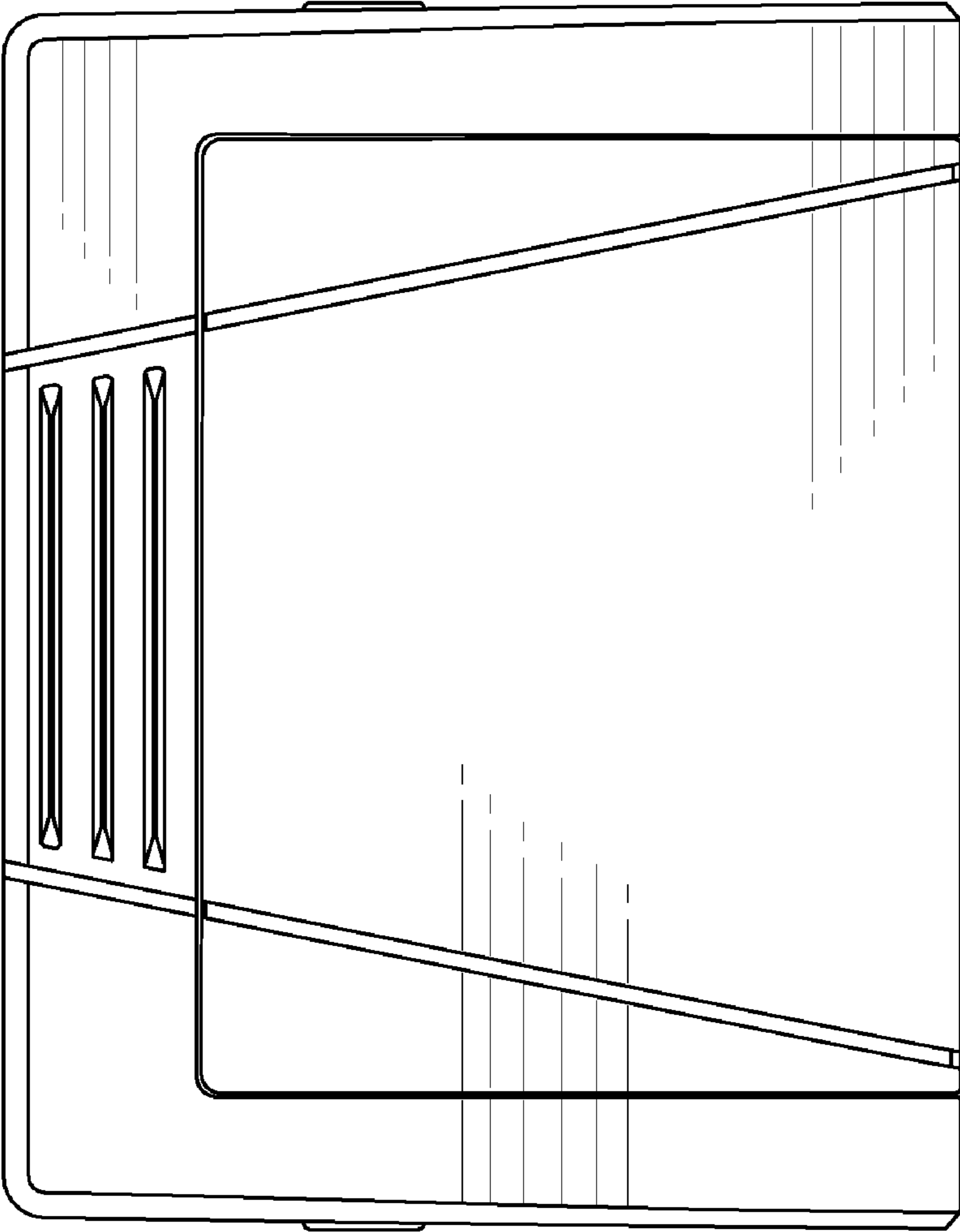


FIG. 2

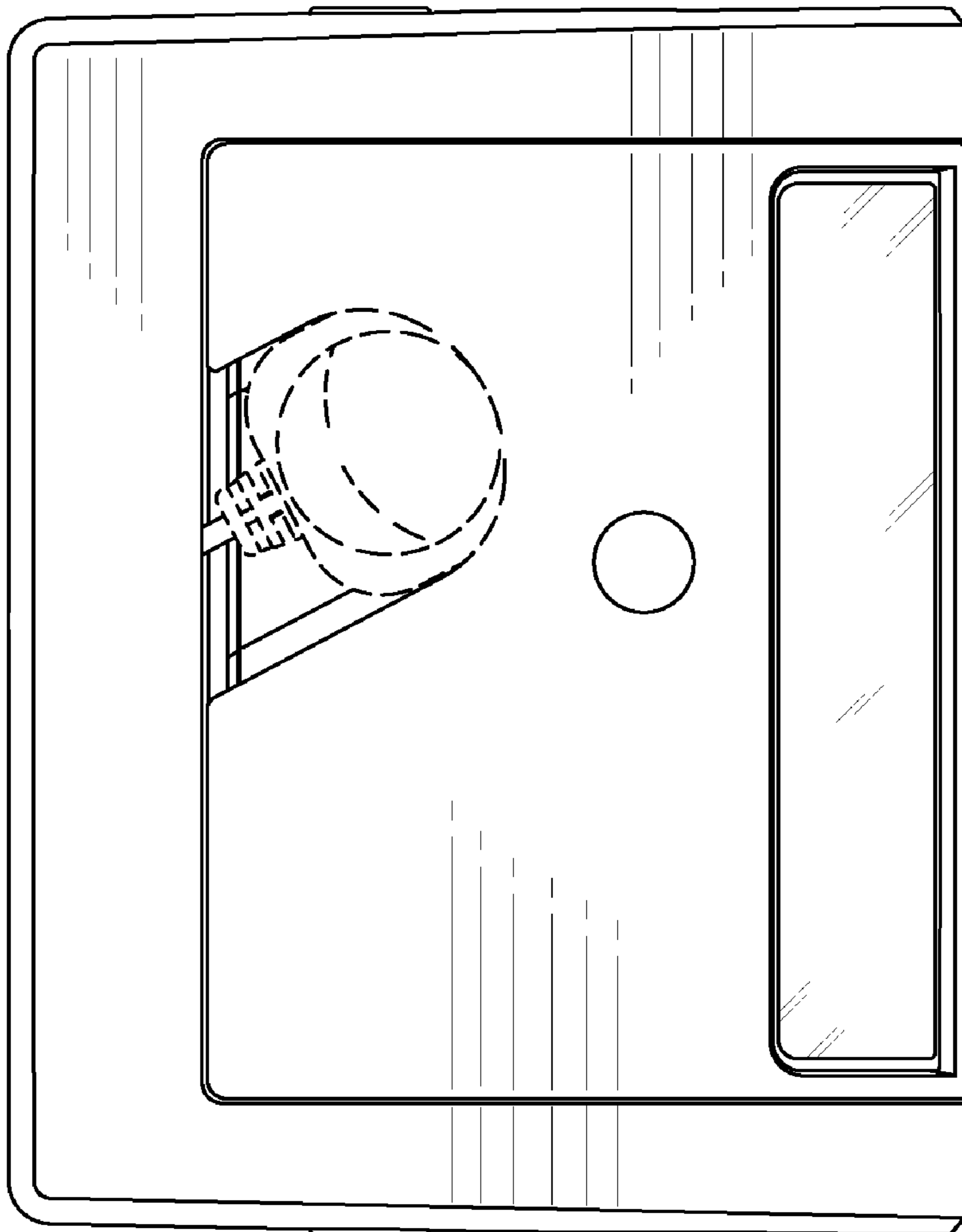


FIG. 3

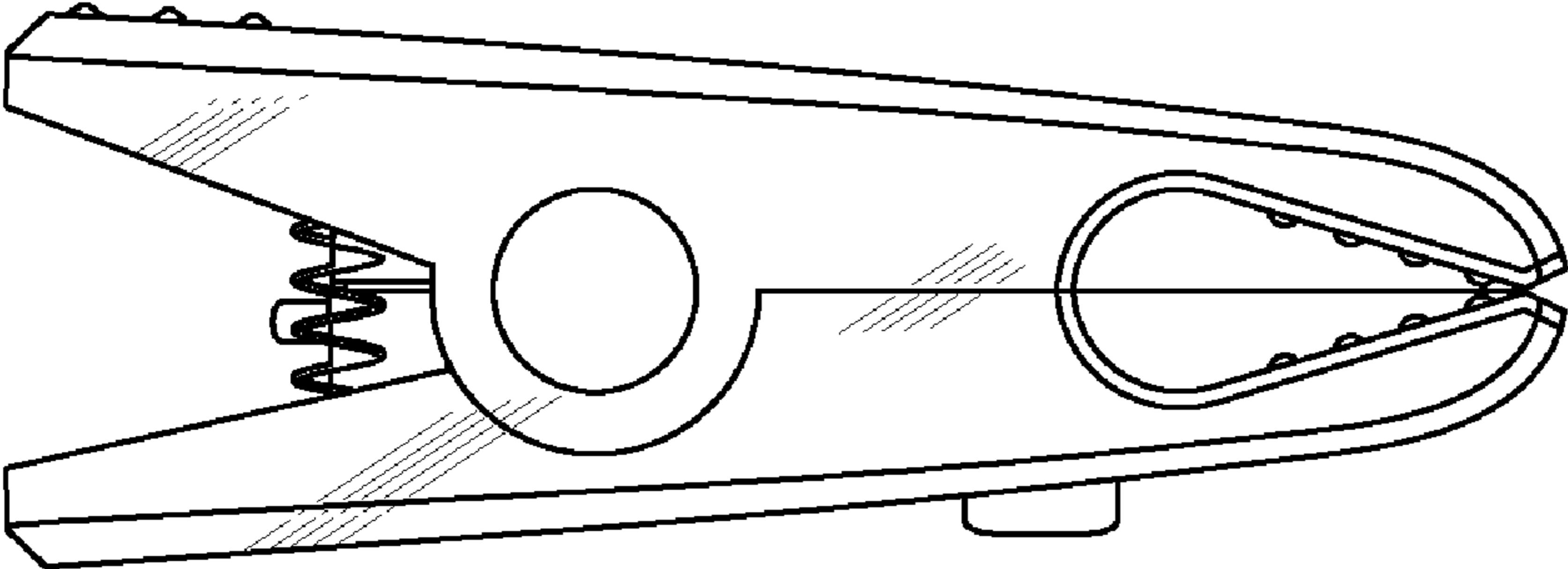


FIG. 4

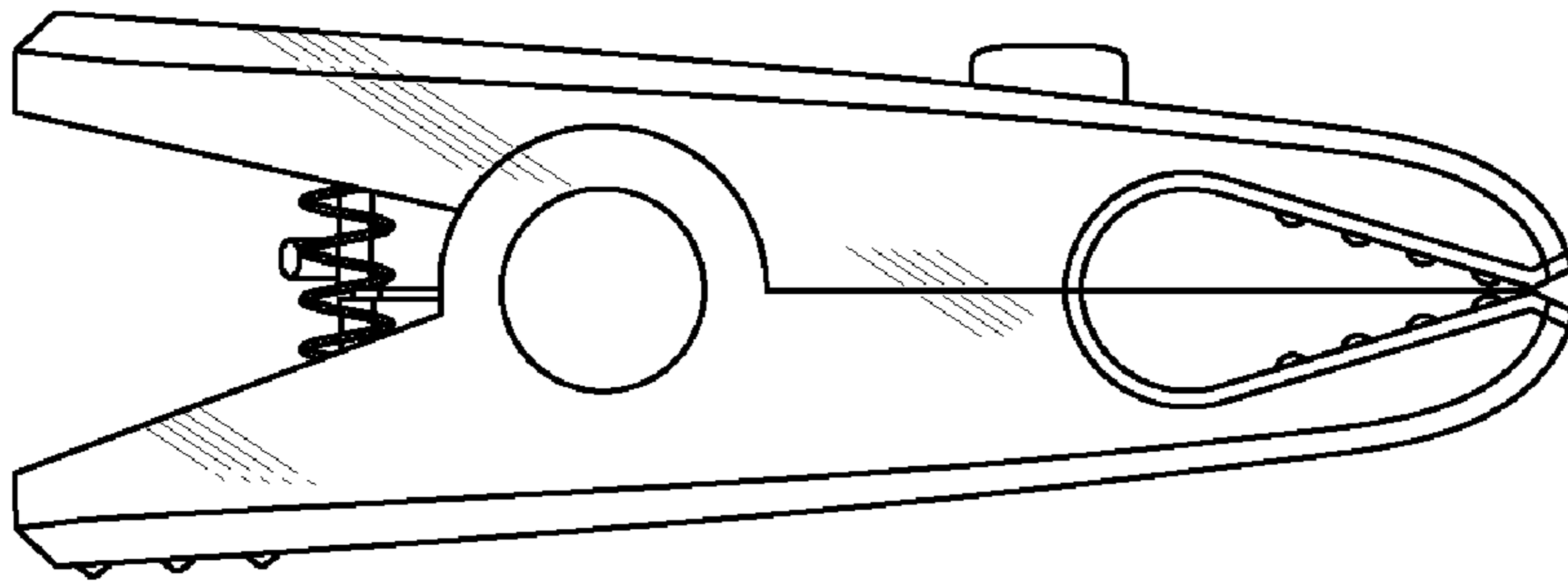


FIG. 5

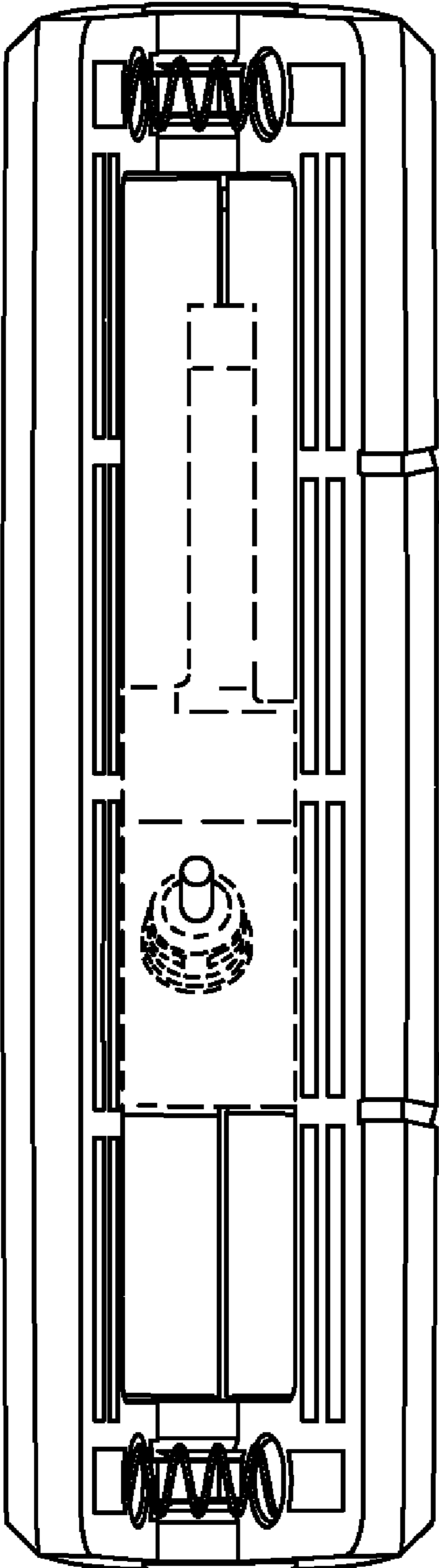


FIG. 6

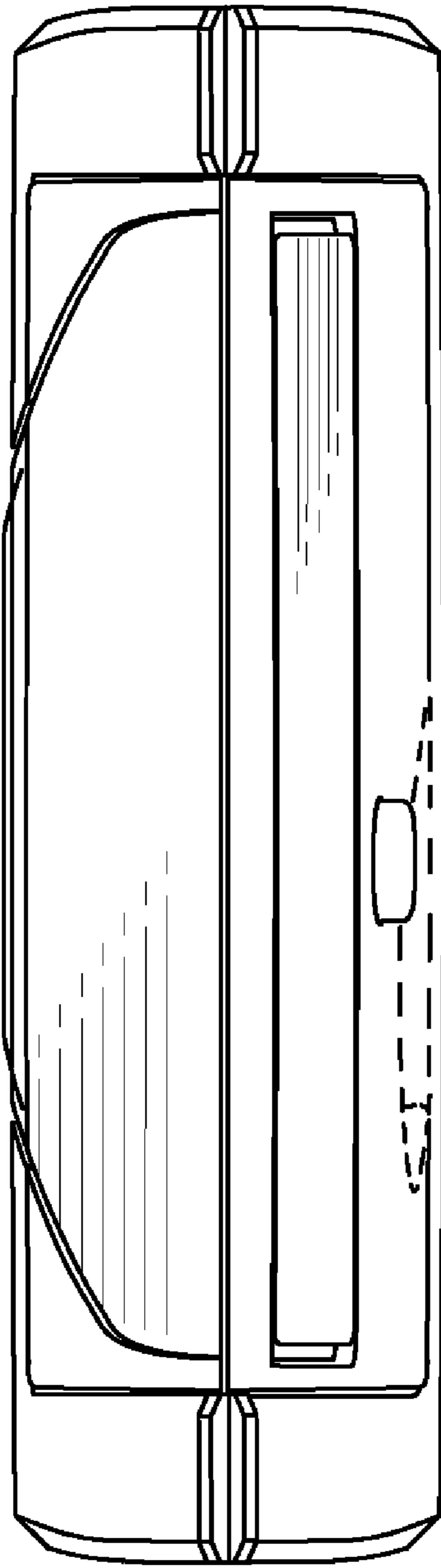


FIG. 7