



US00D605320S

(12) **United States Design Patent**  
**Moudry et al.**

(10) **Patent No.:** **US D605,320 S**

(45) **Date of Patent:** **\*\* Dec. 1, 2009**

(54) **POCKET TORCH**

(75) Inventors: **Rostislav Moudry, Kyjov (CZ); Michal Cervenka, Prerov (CZ)**

(73) Assignee: **Eurolamp S.R.O. (CZ)**

(\*\*) Term: **14 Years**

(21) Appl. No.: **29/328,230**

(22) Filed: **Nov. 20, 2008**

(51) **LOC (9) Cl.** ..... **26-02**

(52) **U.S. Cl.** ..... **D26/39**

(58) **Field of Classification Search** ..... D26/37,  
D26/38, 39, 40, 42, 44, 45, 46, 48, 49, 50;  
362/157, 158, 183–188, 194–208  
See application file for complete search history.

(56) **References Cited**

**U.S. PATENT DOCUMENTS**

D409,777 S *	5/1999	Sharrah et al.	.....	D26/44
D498,551 S *	11/2004	Chan	.....	D26/37
D518,584 S *	4/2006	Chan	.....	D26/37
D524,474 S *	7/2006	Lo et al.	.....	D26/60
D525,536 S *	7/2006	Chan	.....	D10/2
D553,276 S *	10/2007	Campbell et al.	.....	D26/37
7,287,873 B2 *	10/2007	Galli	.....	362/158

D576,327 S *	9/2008	Kingston et al.	.....	D26/39
D580,077 S *	11/2008	Sham	.....	D26/37
D587,830 S *	3/2009	Ma	.....	D26/37

\* cited by examiner

*Primary Examiner*—Ian Simmons

*Assistant Examiner*—Carissa C Fitts

(74) *Attorney, Agent, or Firm*—Baker & Daniels LLP

(57) **CLAIM**

The ornamental design for a pocket torch, as shown and described.

**DESCRIPTION**

FIG. 1 is a perspective view of a pocket torch taken from the back bottom perspective.

FIG. 2 is a perspective view of the pocket torch taken from the front top perspective.

FIG. 3 is a top plan view of the pocket torch.

FIG. 4 is a bottom plan view of the pocket torch.

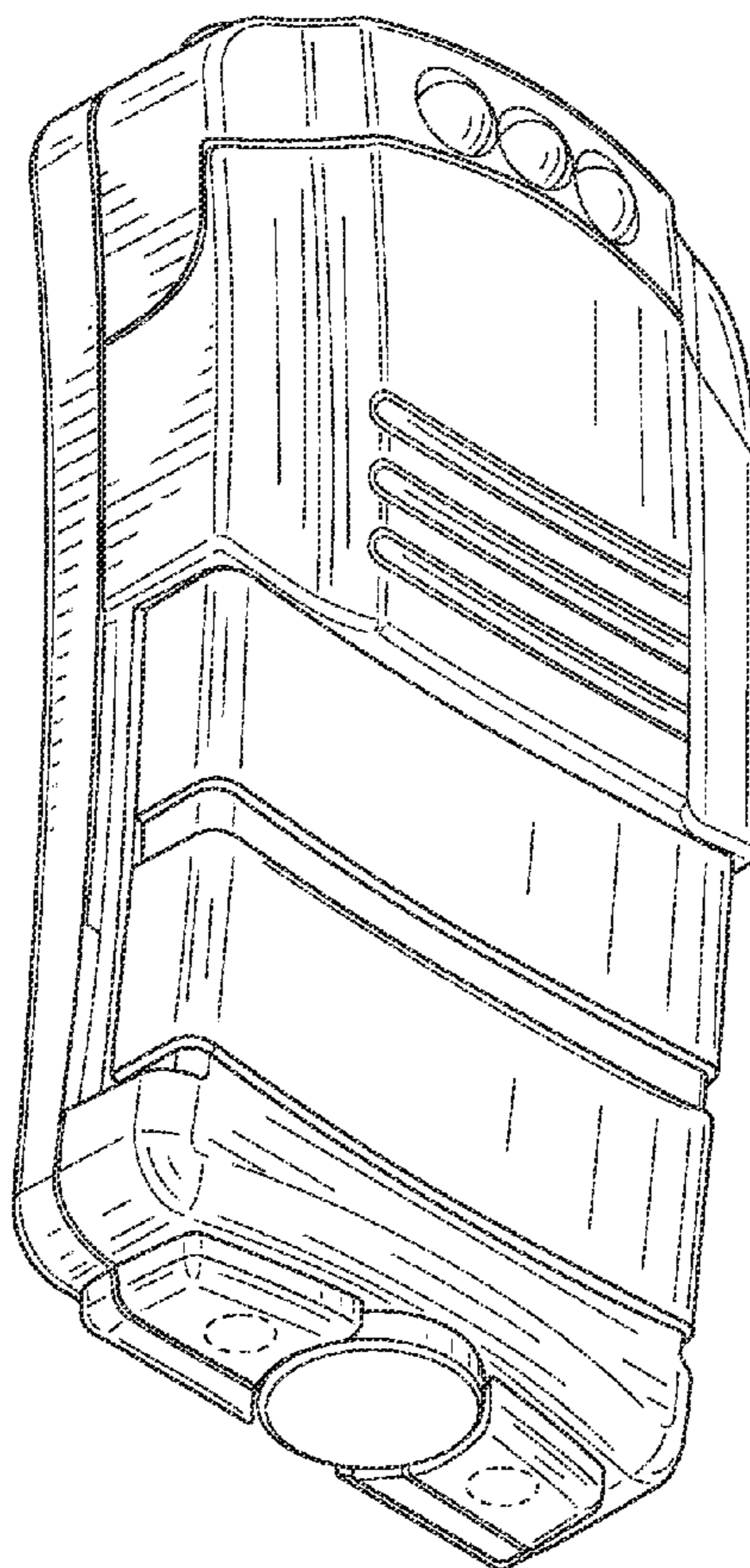
FIG. 5 is a front view of the pocket torch.

FIG. 6 is a back view of the pocket torch.

FIG. 7 is a right side view of the pocket torch; and,

FIG. 8 is a left side view of the pocket torch.

**1 Claim, 3 Drawing Sheets**



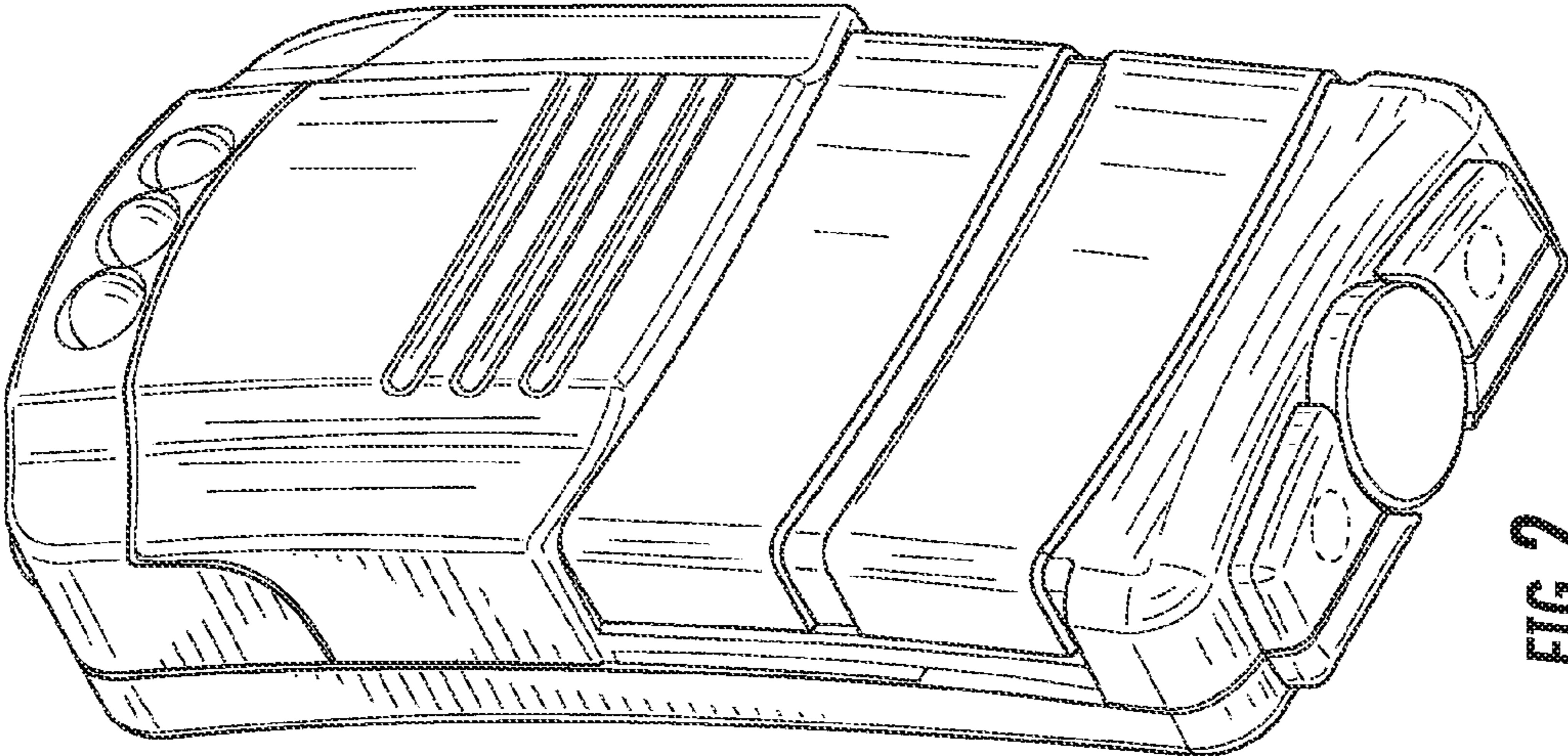


FIG. 2

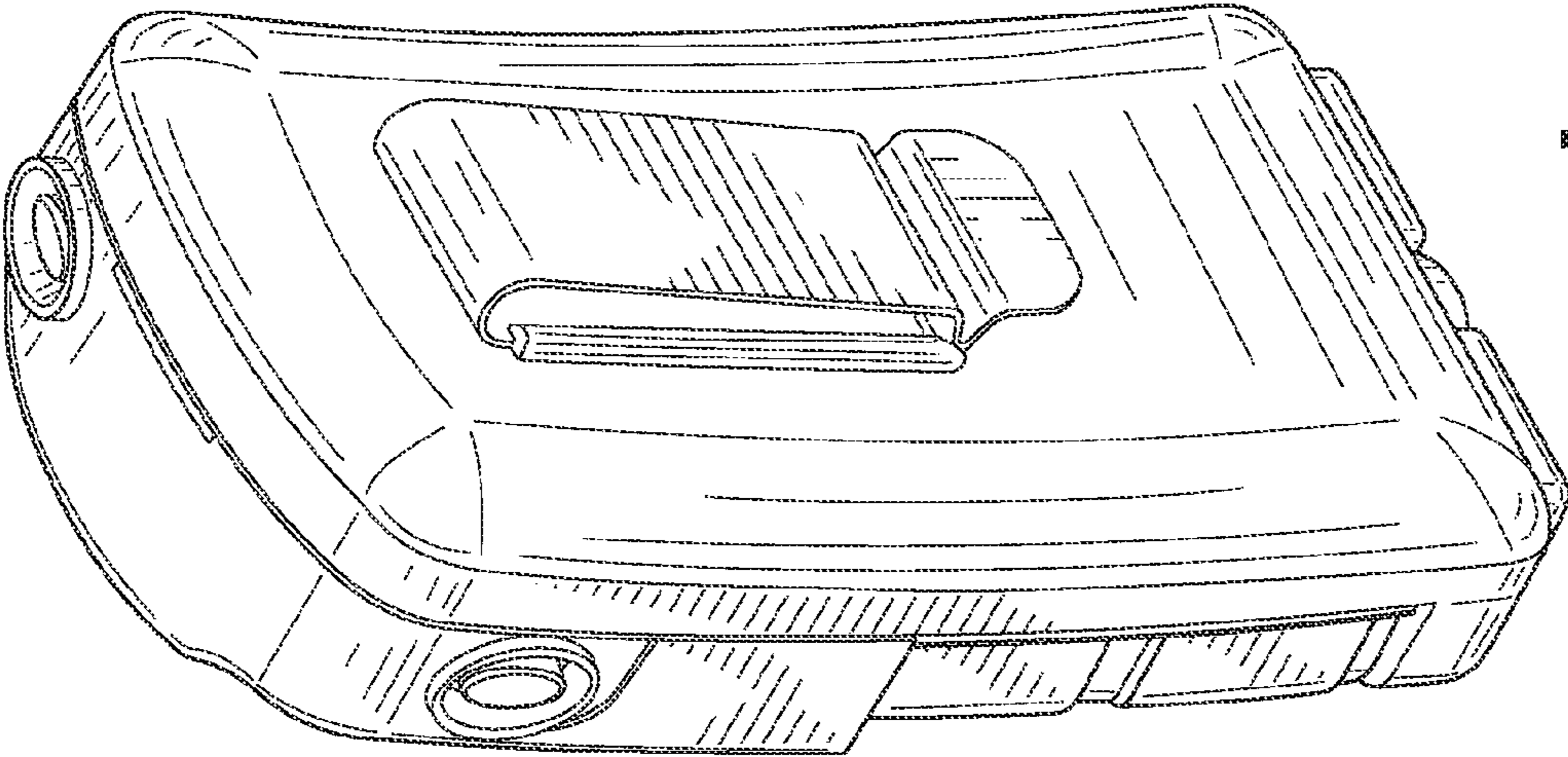


FIG. 1

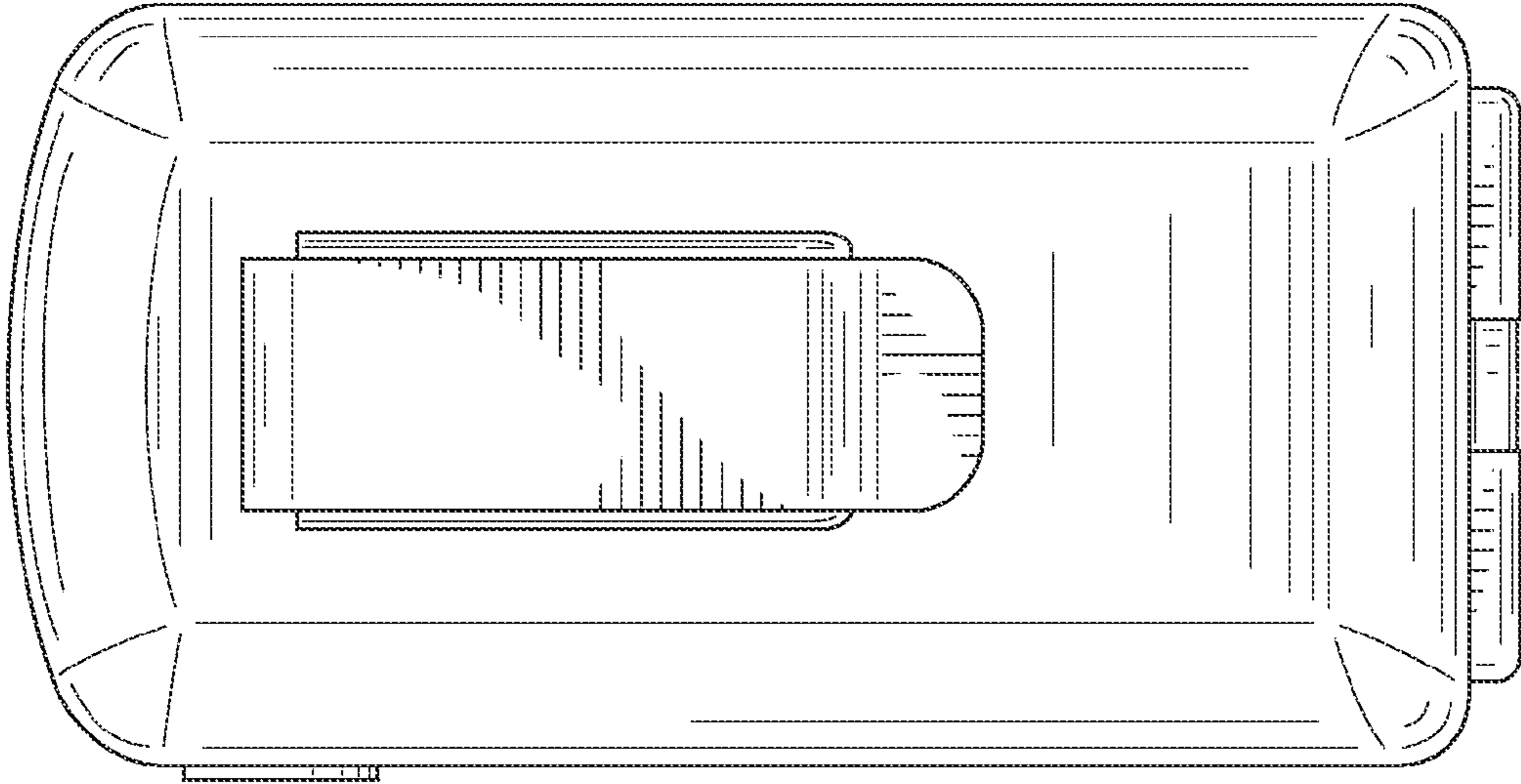


FIG. 3

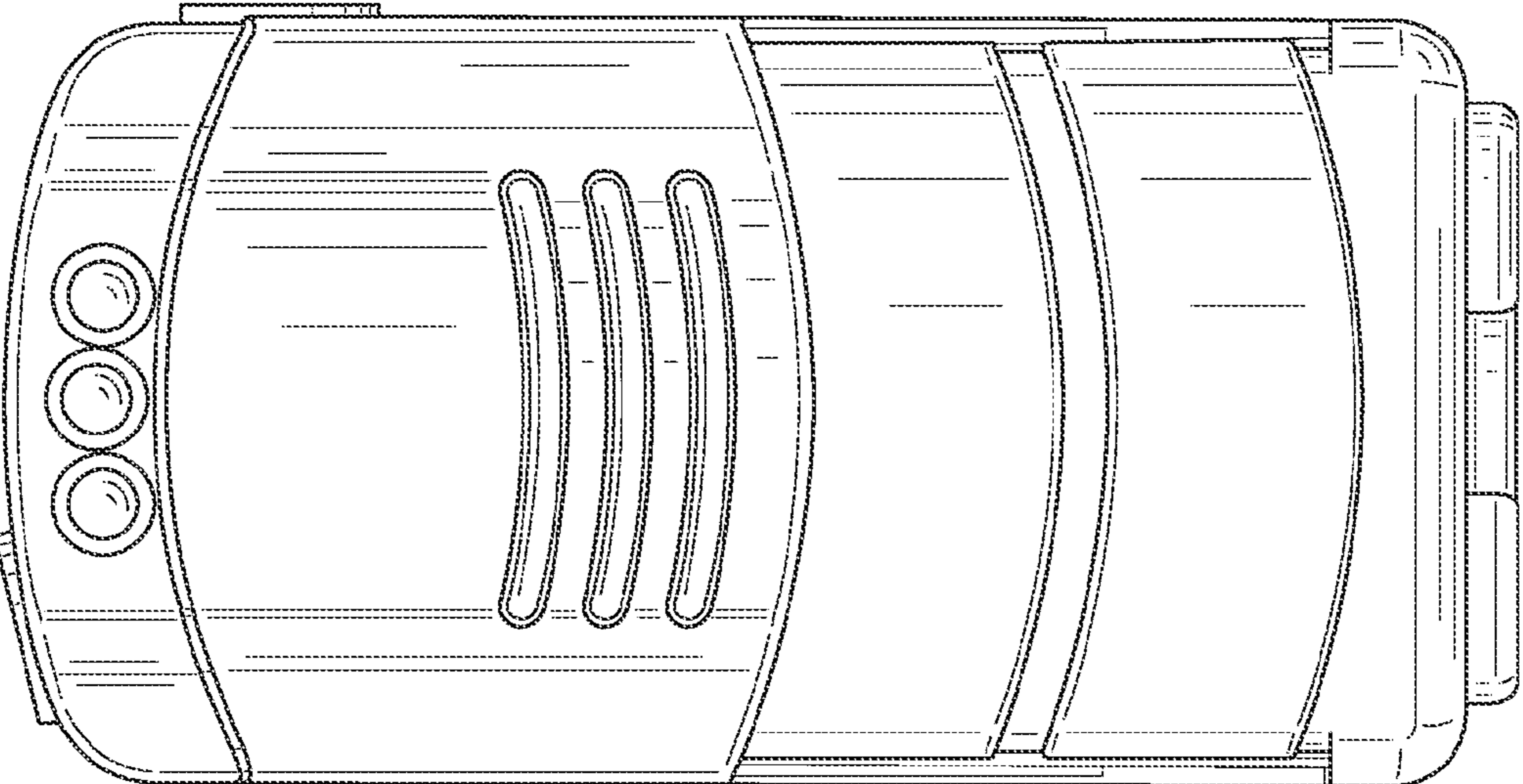


FIG. 4

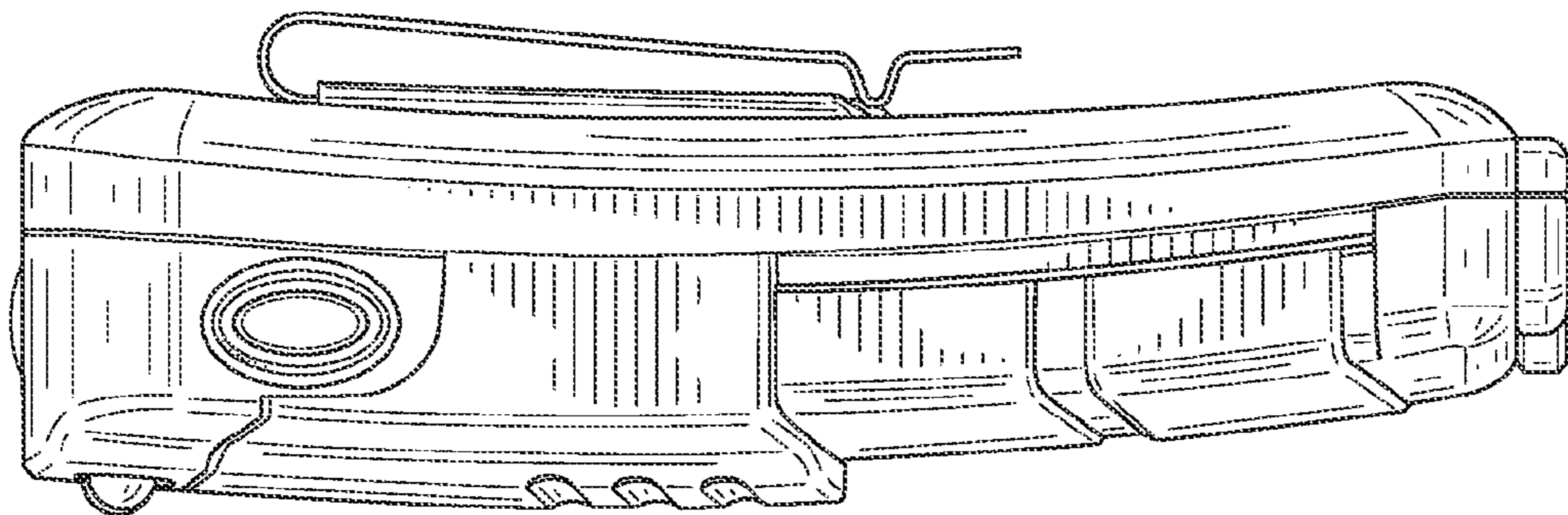


FIG. 8

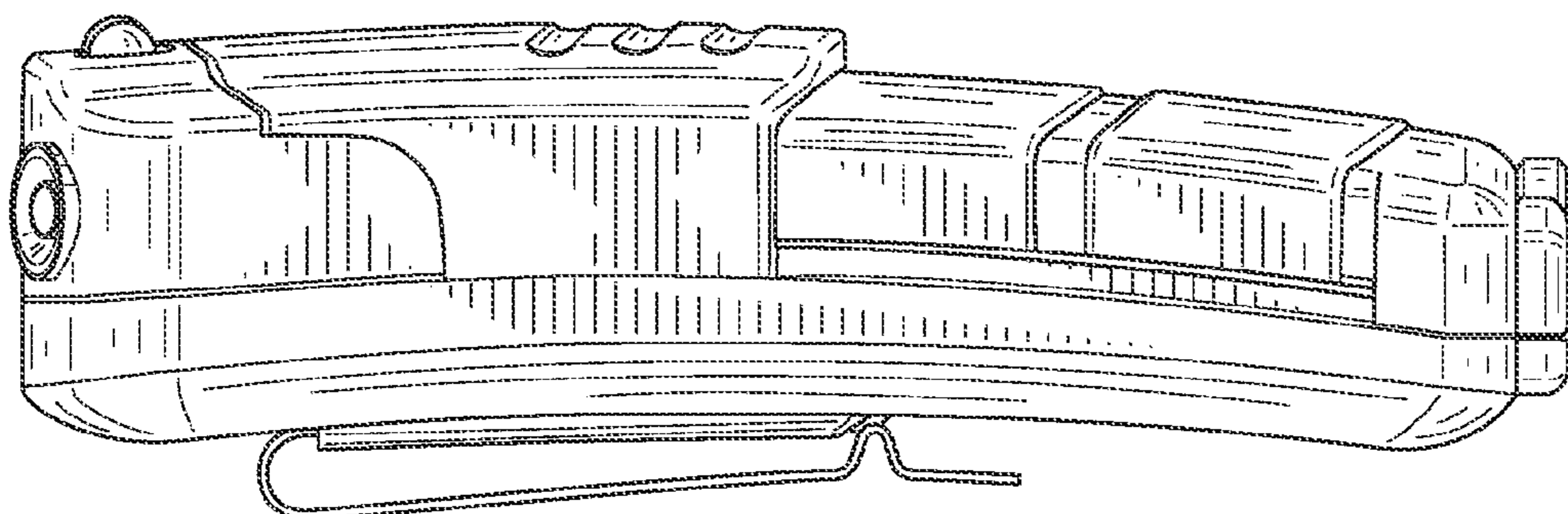


FIG. 7

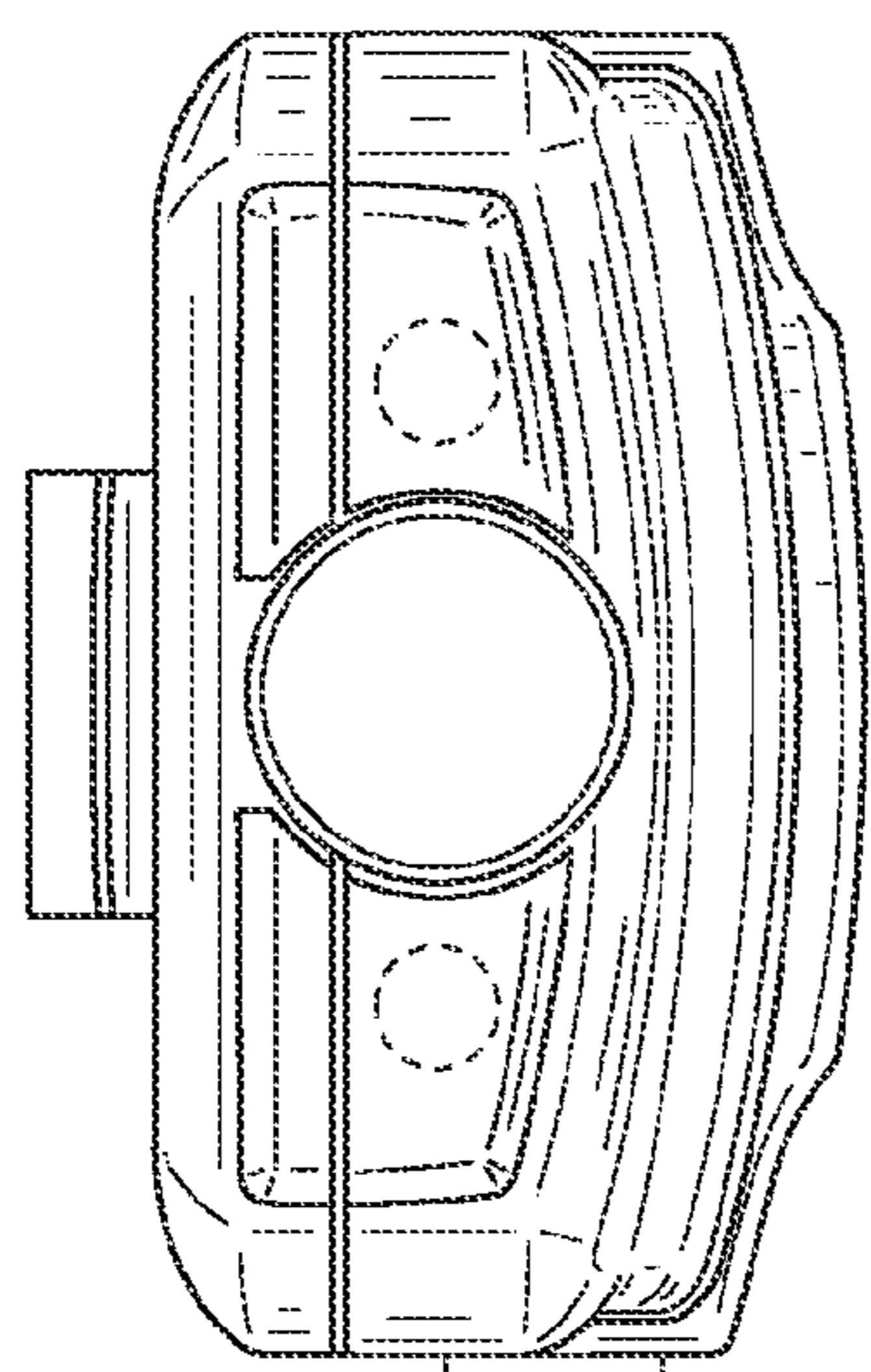


FIG. 5

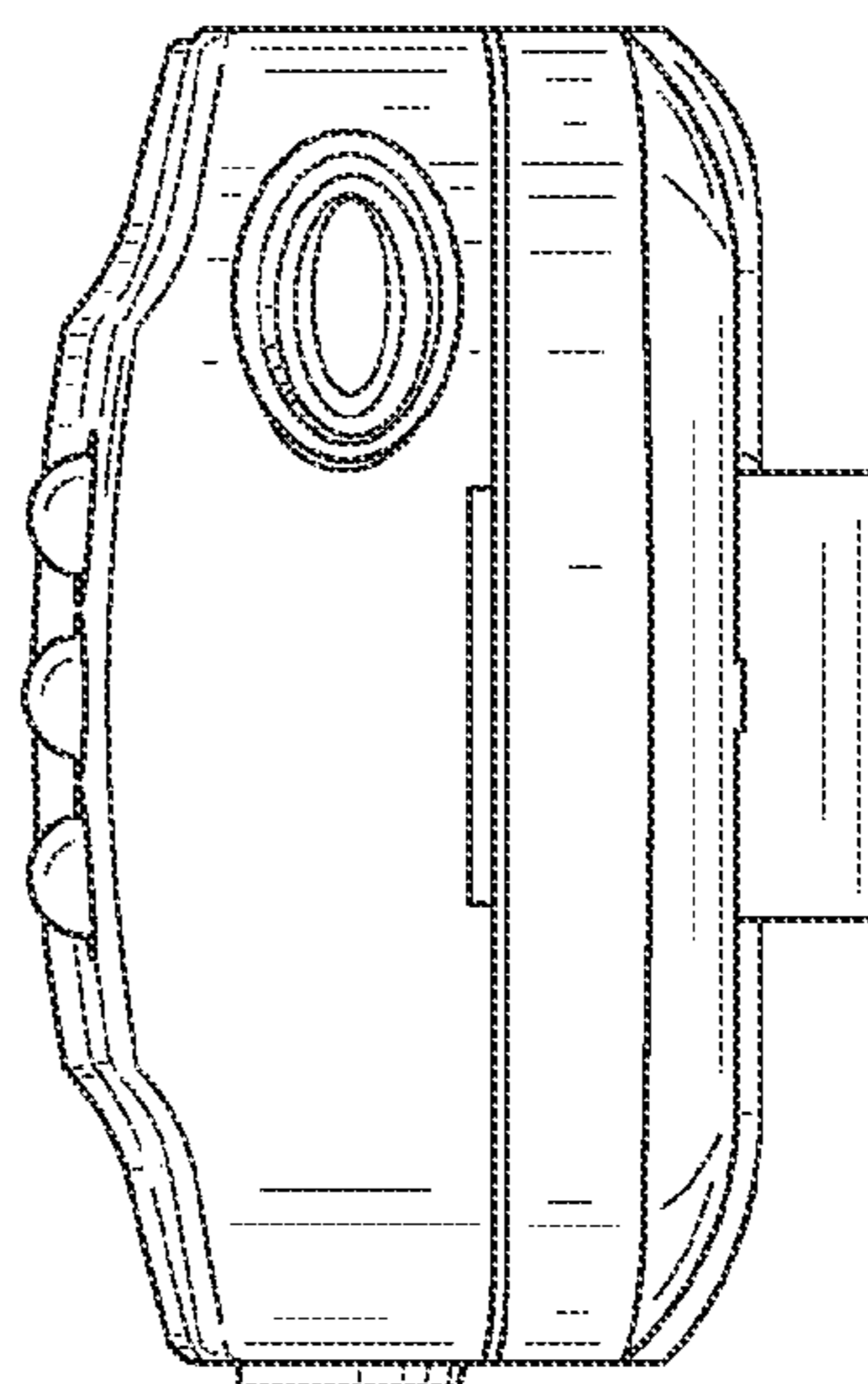


FIG. 6