



US00D605319S

(12) **United States Design Patent**
Devaney et al.

(10) **Patent No.:** **US D605,319 S**
(45) **Date of Patent:** **** Dec. 1, 2009**

(54) **CAP LAMP**

(75) Inventors: **John Devaney**, Mountain Top, PA (US);
John Kosek, Wilkes Barre, PA (US)

(73) Assignee: **Koehler-Bright Star, Inc.**, Hanover
Township, PA (US)

(**) Term: **14 Years**

(21) Appl. No.: **29/319,233**

(22) Filed: **Jun. 5, 2008**

(51) **LOC (9) Cl.** **26-02**

(52) **U.S. Cl.** **D26/39**

(58) **Field of Classification Search** D26/37-40,
D26/46, 51; 362/105, 106, 108, 157, 158,
362/183, 186, 194, 208

See application file for complete search history.

(56) **References Cited**

U.S. PATENT DOCUMENTS

D242,780 S *	12/1976	Kelley	D10/114
D343,917 S *	2/1994	Yuen	D26/50
D389,932 S *	1/1998	Mariani	D26/39
D405,202 S *	2/1999	Fattori et al.	D26/39
D445,929 S *	7/2001	Shing	D26/39
D504,967 S *	5/2005	Kung	D26/39
D508,140 S *	8/2005	Sharrah	D26/39
D518,209 S *	3/2006	Nagano et al.	D26/39

D518,210 S *	3/2006	Nagano et al.	D26/39
D560,294 S *	1/2008	Parsons et al.	D26/37
D560,295 S *	1/2008	Parsons et al.	D26/37
D560,298 S *	1/2008	Spartano et al.	D26/39
D579,133 S *	10/2008	Shiu	D26/39

* cited by examiner

Primary Examiner—Ian Simmons

Assistant Examiner—Carissa C Fitts

(74) *Attorney, Agent, or Firm*—DLA Piper LLP US; R. Blake
Johnston, Esq.

(57) **CLAIM**

The ornamental design for a cap lamp, as shown and
described.

DESCRIPTION

FIG. 1 is a perspective view of the cap lamp;

FIG. 2 is a front elevational view of the cap lamp;

FIG. 3 is a rear elevational view of the cap lamp;

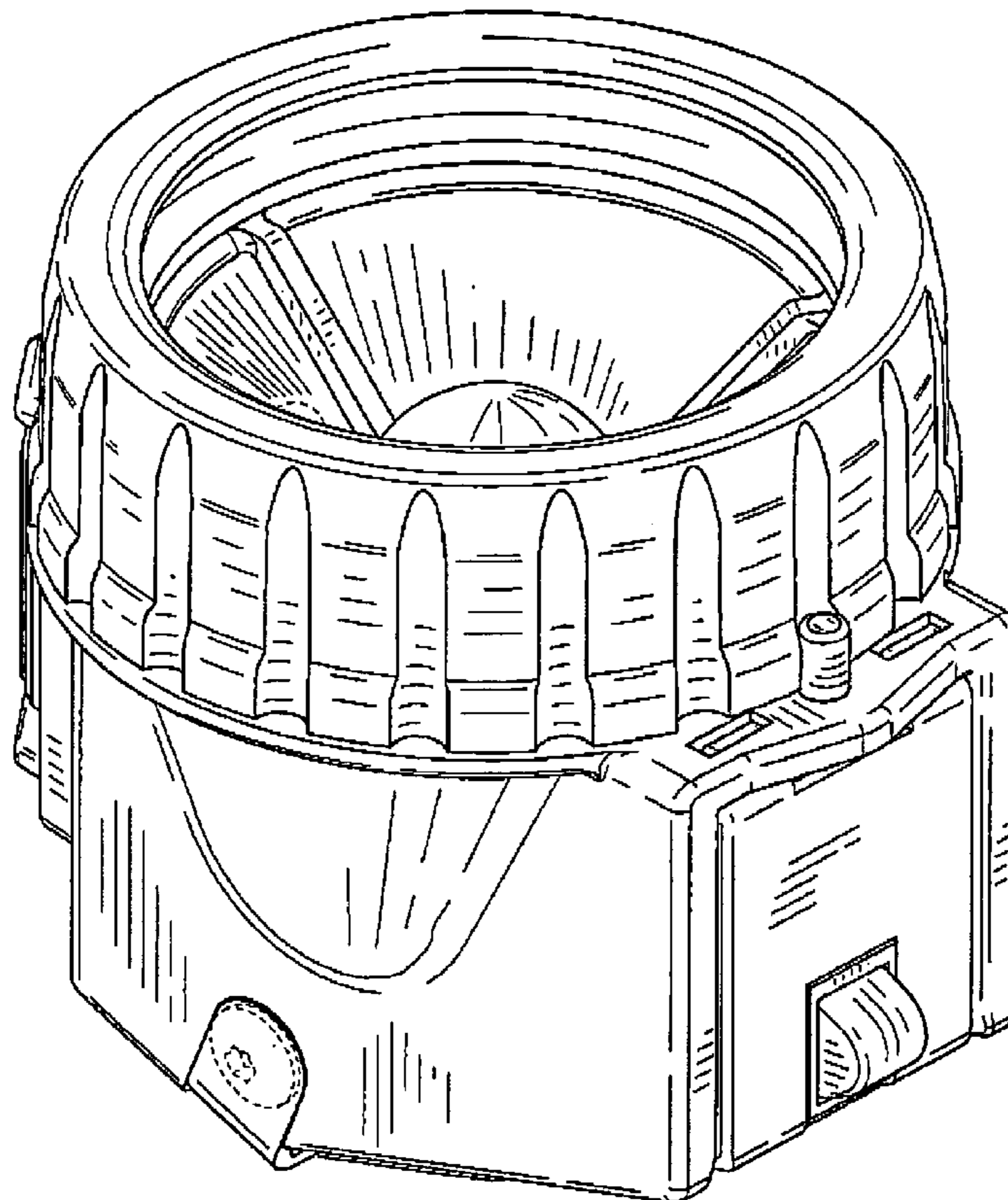
FIG. 4 is a right side elevational view of the cap lamp, the left
side elevational view being a mirror image thereof;

FIG. 5 is a top plan view of the cap lamp; and,

FIG. 6 is a bottom plan view of the cap lamp.

The broken lines depicting hardware in the Figures form no
part of the claimed design.

1 Claim, 4 Drawing Sheets



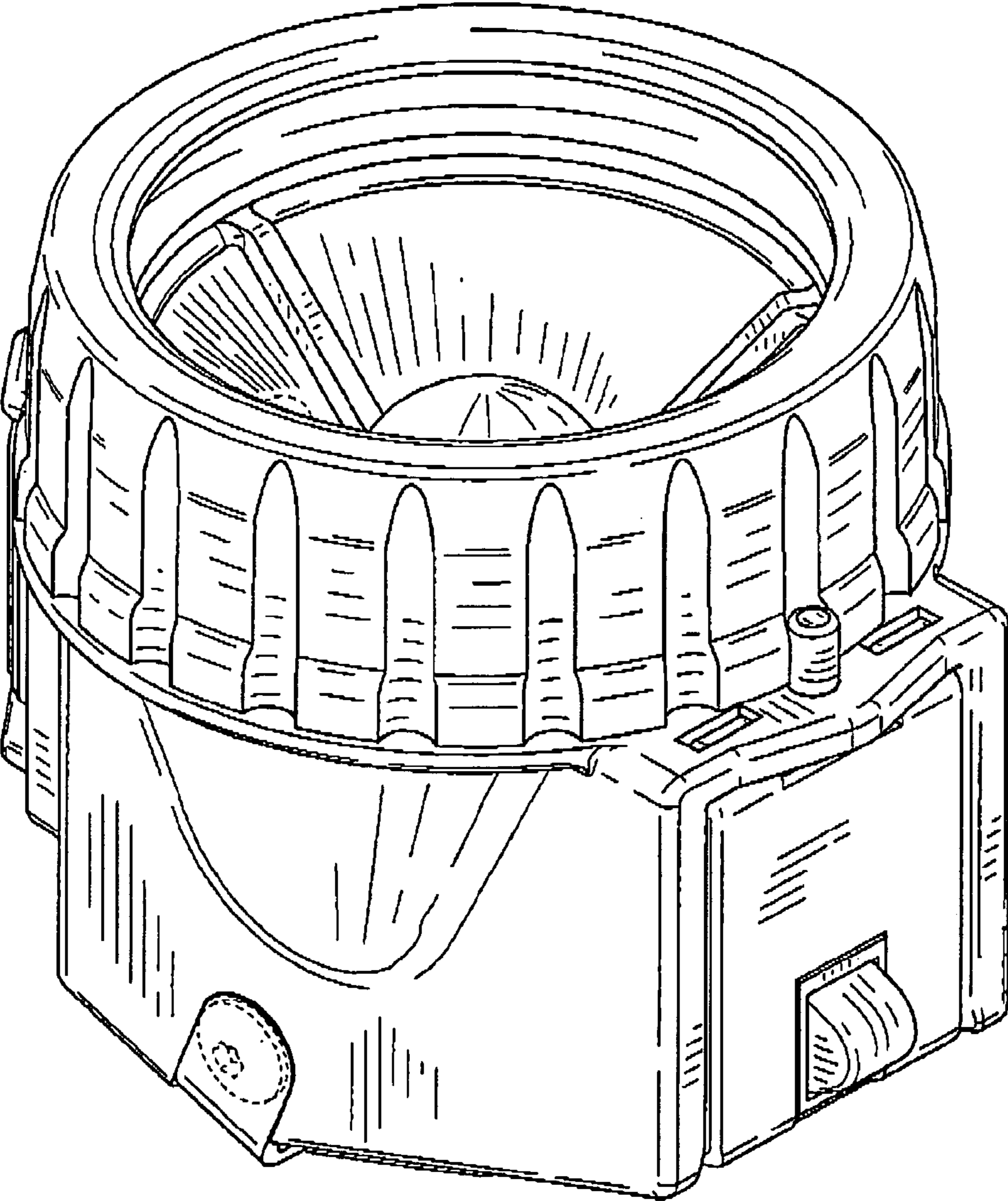


FIG. 1

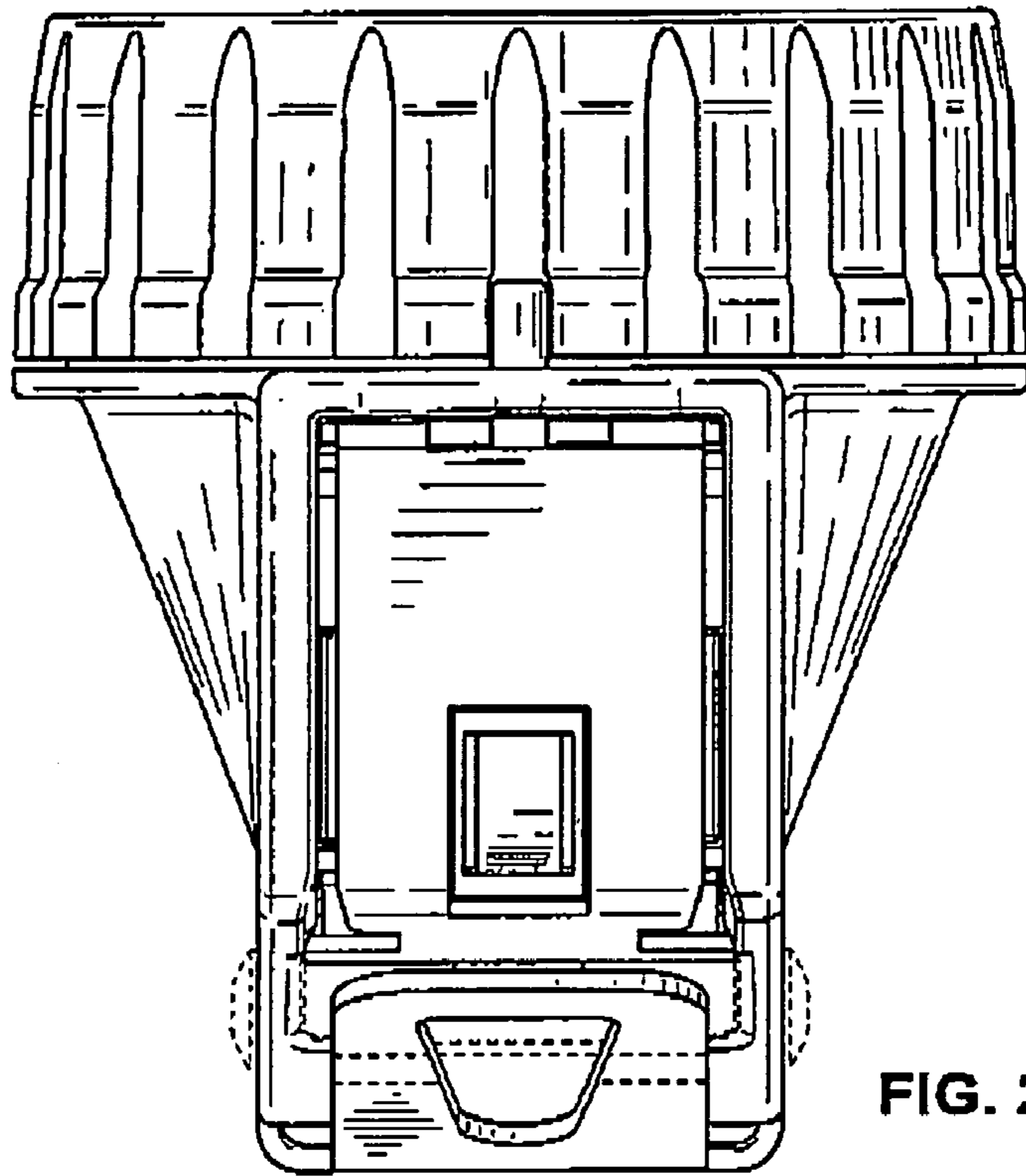


FIG. 2

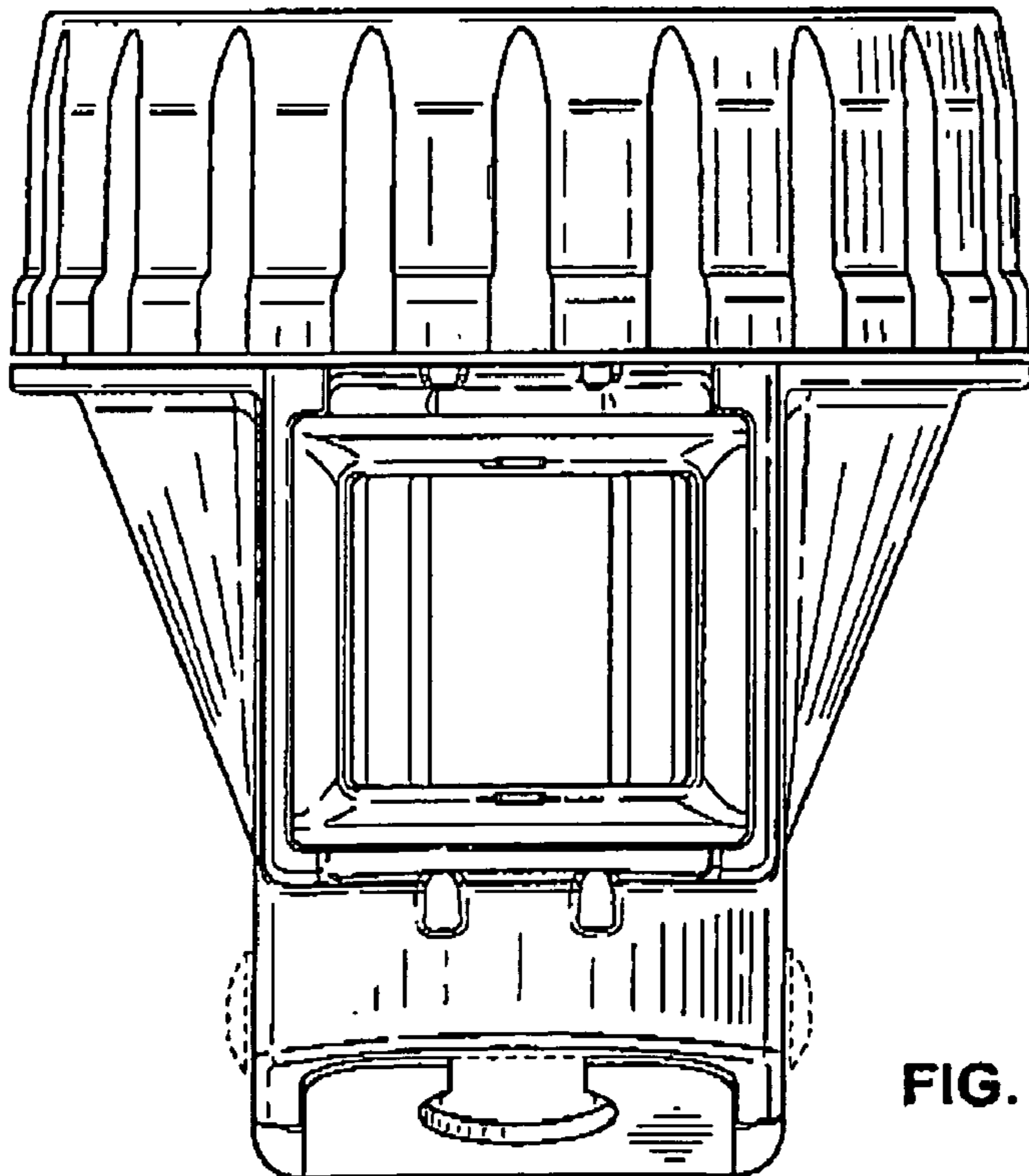


FIG. 3

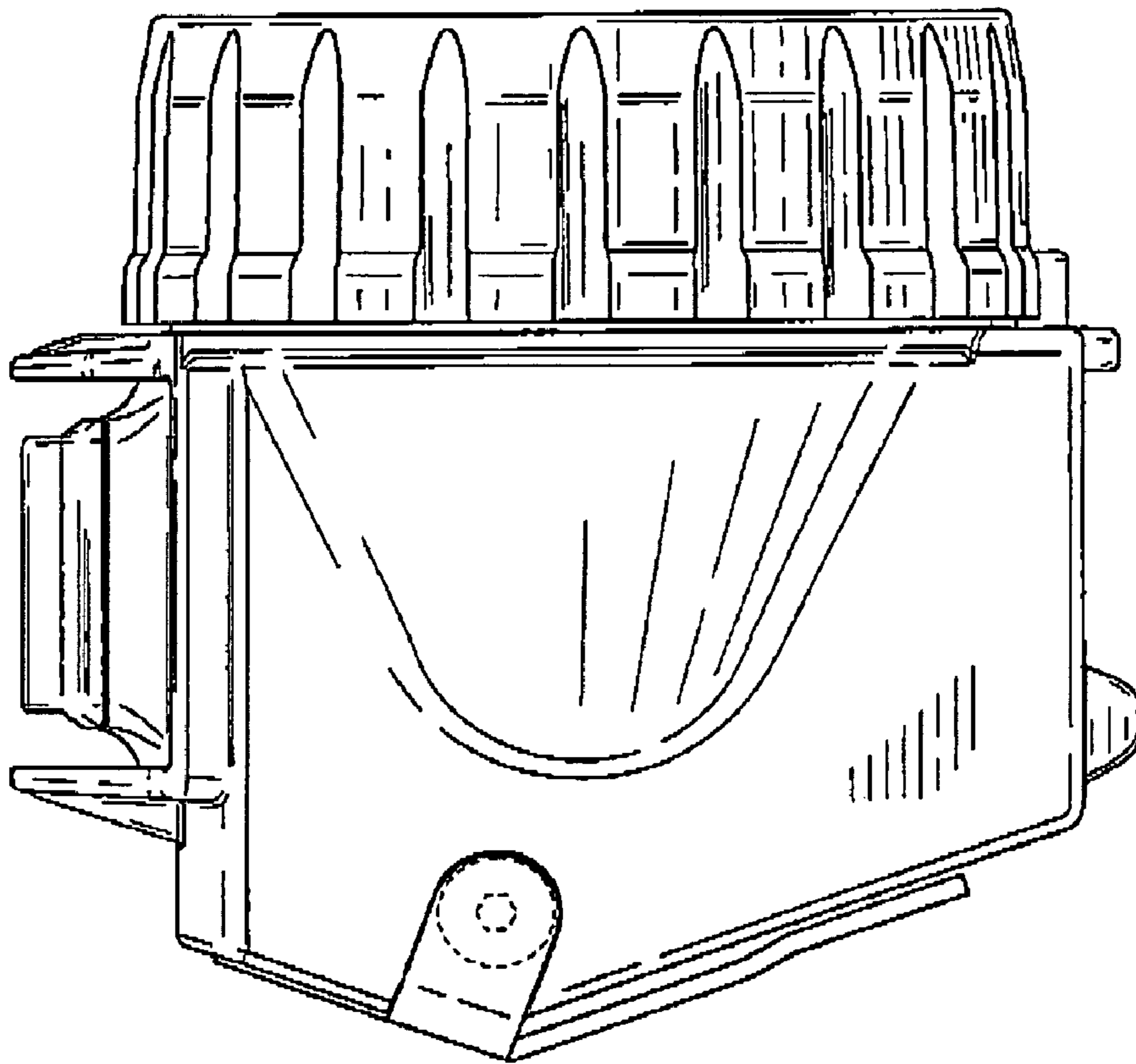


FIG. 4

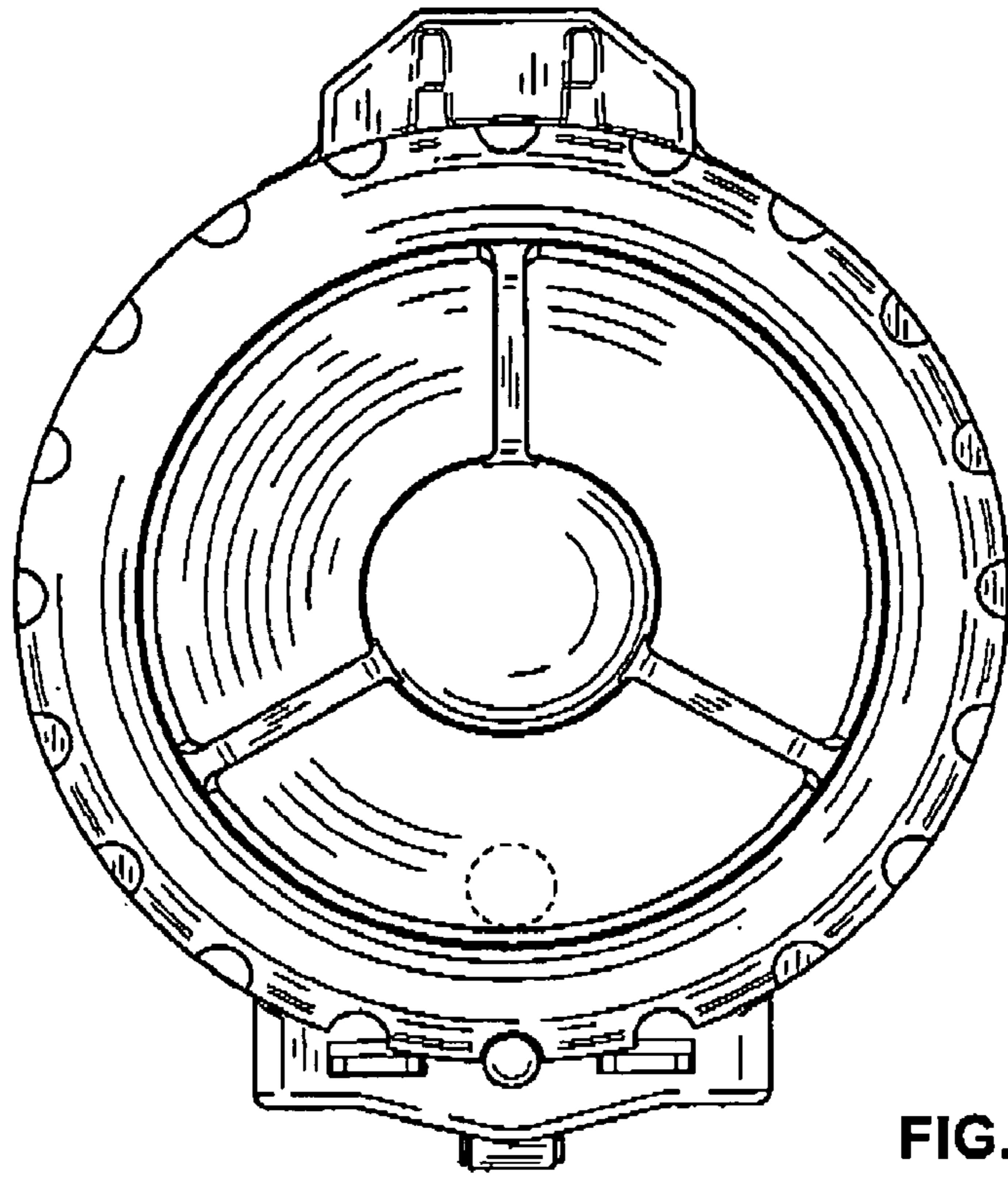


FIG. 5

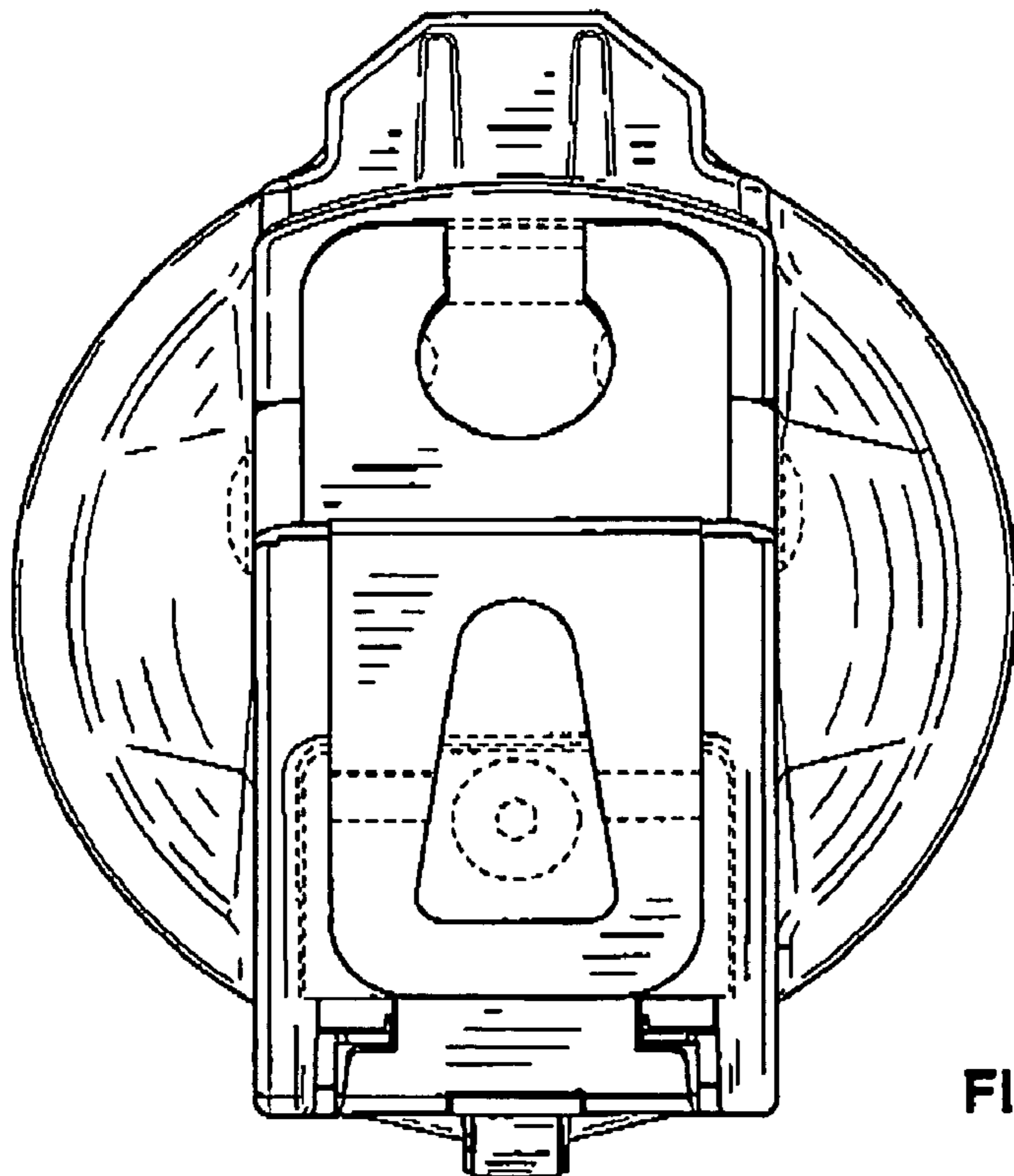


FIG. 6