



US00D605316S

(12) **United States Design Patent**
Ebel et al.

(10) **Patent No.:** **US D605,316 S**
(45) **Date of Patent:** **** Dec. 1, 2009**

(54) **VEHICLE HEADLIGHT**

(75) Inventors: **Addam Ebel**, Dearborn, MI (US);
Solomon H. Song, Farmington Hills, MI
(US); **Darrell Paul Behmer**, Novi, MI
(US); **Moray Stuart Callum**, Ann
Arbor, MI (US)

(73) Assignee: **Ford Motor Company**, Dearborn, MI
(US)

(**) Term: **14 Years**

(21) Appl. No.: **29/295,767**

(22) Filed: **Oct. 5, 2007**

(51) **LOC (9) Cl.** **26-06**

(52) **U.S. Cl.** **D26/28**

(58) **Field of Classification Search** D26/28-36;
362/459-468, 475-478, 485-487

See application file for complete search history.

(56) **References Cited**

U.S. PATENT DOCUMENTS

D525,388 S	7/2006	Golden	
D561,359 S *	2/2008	Hsu	D26/28
D563,576 S *	3/2008	Hanaoka	D26/28
D569,533 S *	5/2008	Hsu	D26/38
D570,007 S *	5/2008	Hsu	D26/28
D570,014 S *	5/2008	Hsu	D26/28
D570,016 S *	5/2008	Hsu	D26/28

OTHER PUBLICATIONS

Mercury, Milan VOGA unveiled during Miami Fashion Week,
Google Image Result for <http://www.autoblog.com/media/2006/05/milanvoga2500.jpg>.

Mercury, Milan, Concept Photos, Reviews, & more at <http://www.automotive.com>.

Mercury, Milan, Gm Insider at <http://img72.imageshack.us/img72/5994/mercurymilanseptember07c13.jpg>.

Mercury, Concept Meta One, Detroit 2005.
Mercury, Milan Premier V6, Detroit 2006.

* cited by examiner

Primary Examiner—Marcus A Jackson
(74) *Attorney, Agent, or Firm*—Damian Porcari

(57) **CLAIM**

The ornamental design of a vehicle headlight, as shown and described.

DESCRIPTION

FIG. 1 is a front elevational view of a left vehicle headlight (as viewed from the front of the vehicle), the outer lens having been rendered transparent using the Computer Aided Design tools to better illustrate the interior decorative surfaces (only the left vehicle headlight is illustrated, the right being a mirror of the left);

FIG. 2 is a left side elevational view of the vehicle headlight;

FIG. 3 is a right side elevational view of the vehicle headlight;

FIG. 4 is a top plan view of the vehicle headlight;

FIG. 5 is bottom plan view of the vehicle headlight; and,

FIG. 6 is a rear elevational view of the vehicle headlight.

The vehicle headlight is styled independently of adjacent vehicle panels. To the extent that any feature lines are illustrated, they are intended to illustrate the crest and valley of the feature and are not necessarily sharp bends in the part. Shading is used to illustrate the curvature of the part and not color. Any functional features of the vehicle headlight are not claimed. Views are orthogonal projections unless otherwise noted. The various views are not necessarily to scale in order to better illustrate the design. The drawings were generated using Computer Aided Design tools. Highlights and shading were added to the drawings to better illustrate the three-dimensional features of the part. The vehicle headlight is intended to be observed in various states of internal illumination as well as in daylight with no internal illumination.

1 Claim, 6 Drawing Sheets

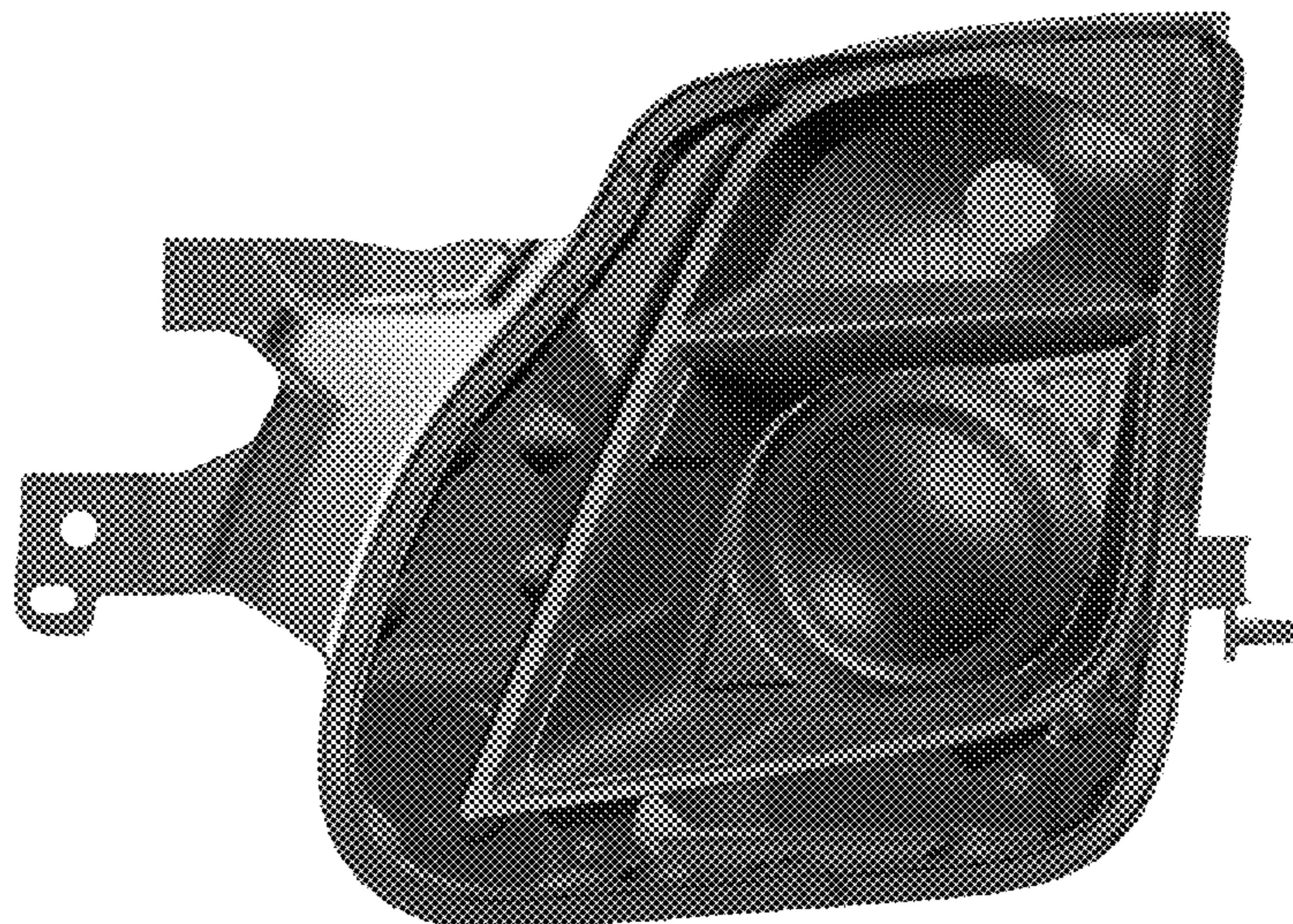
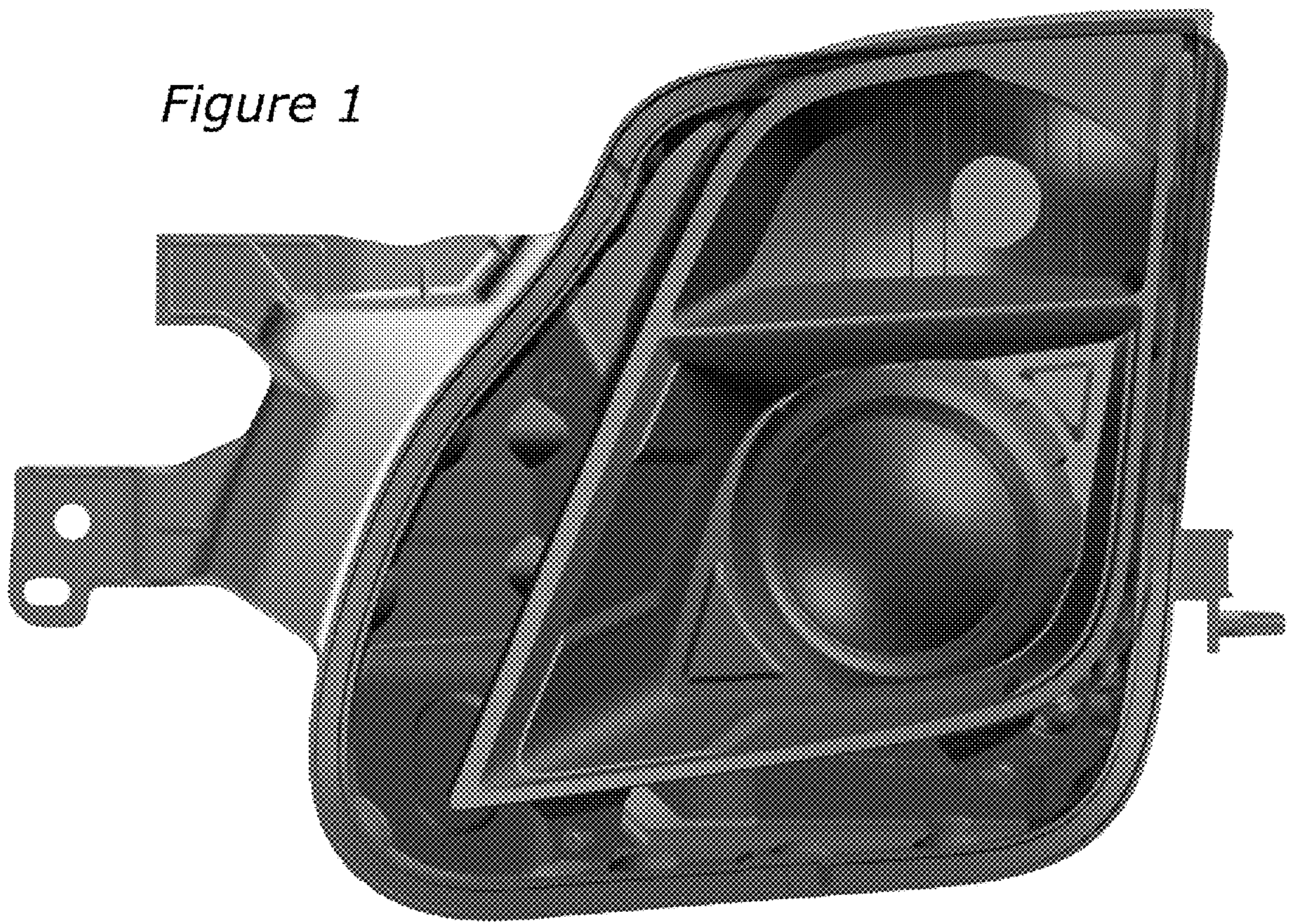


Figure 1



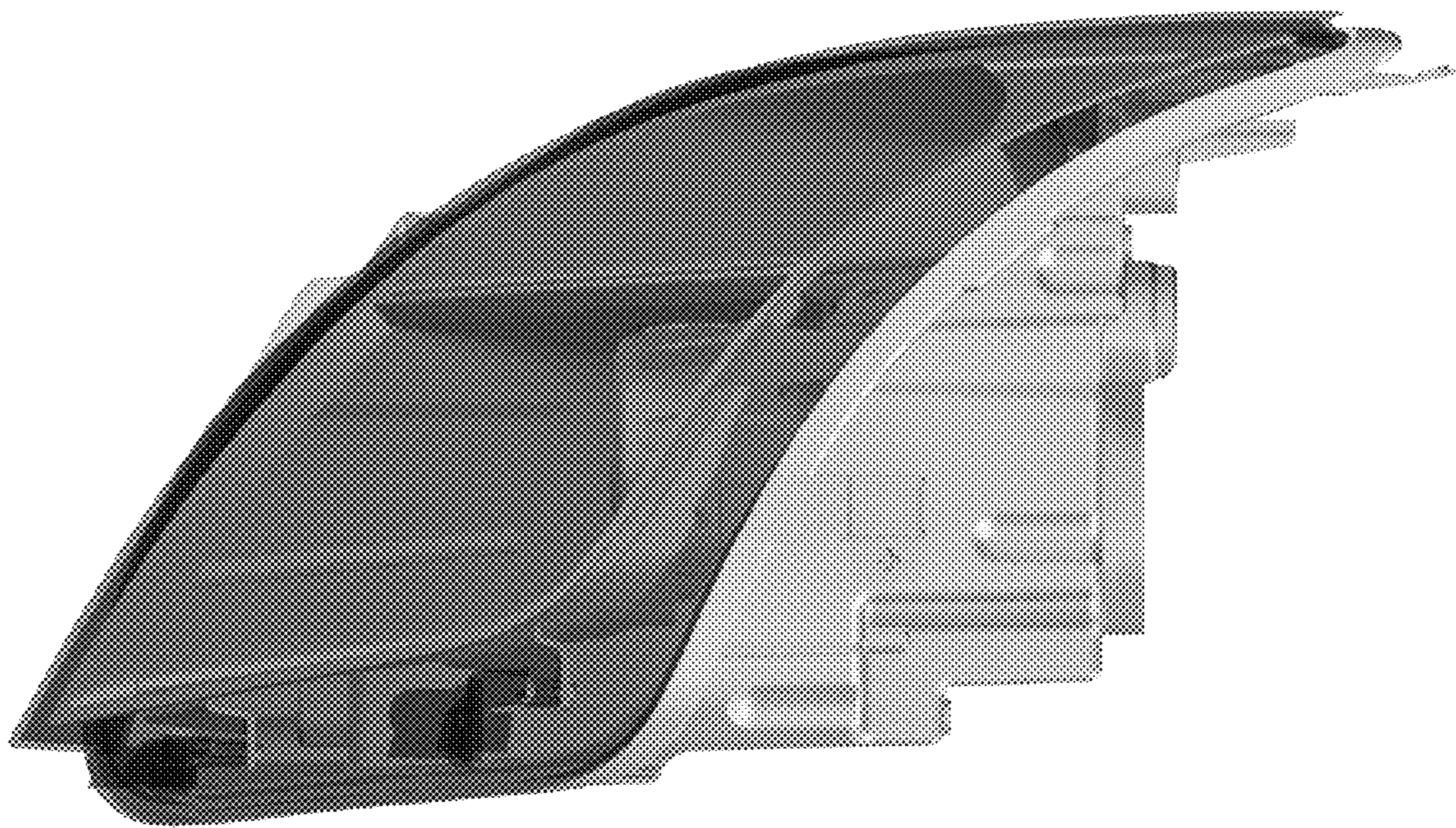


Figure 2

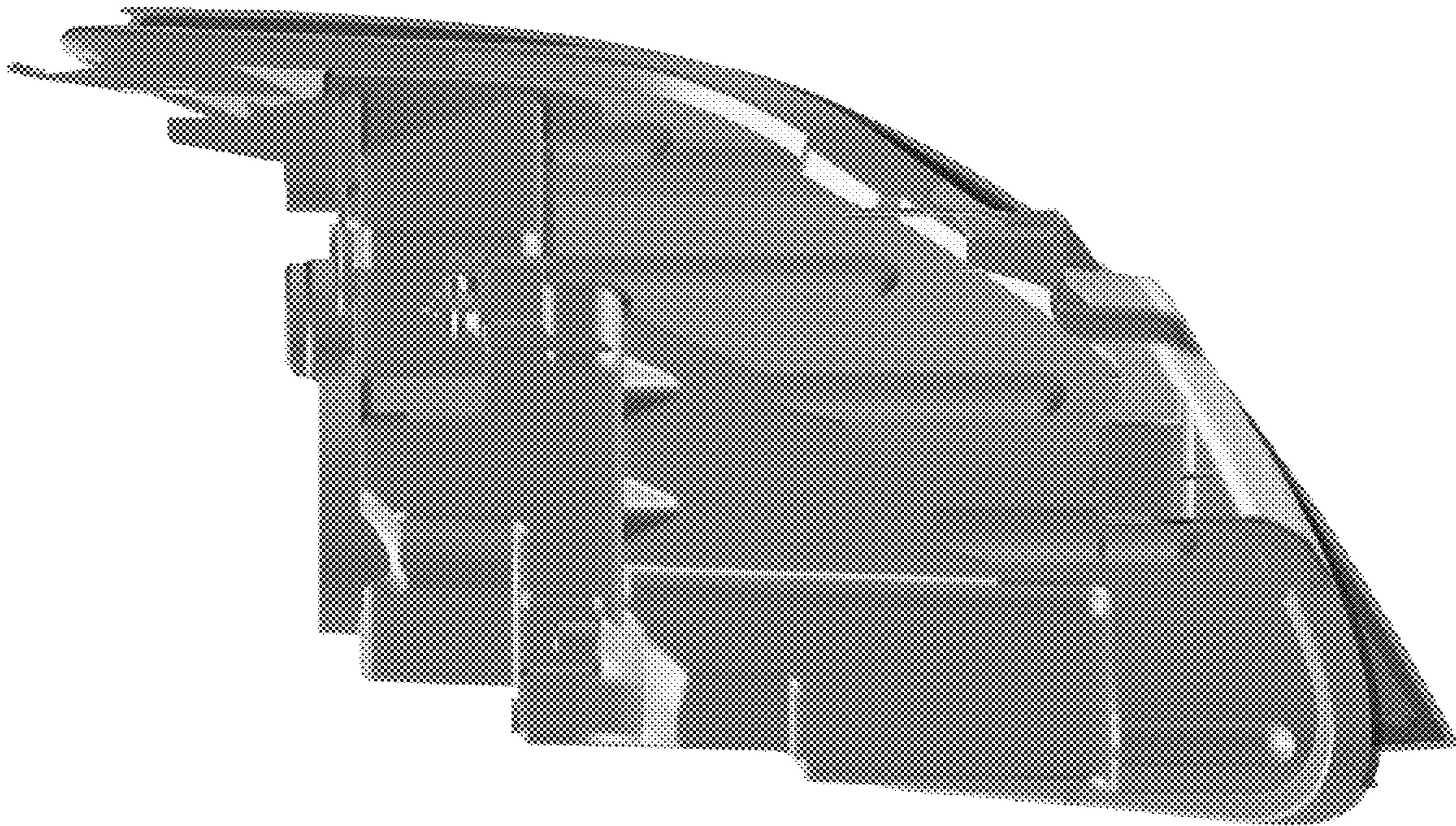
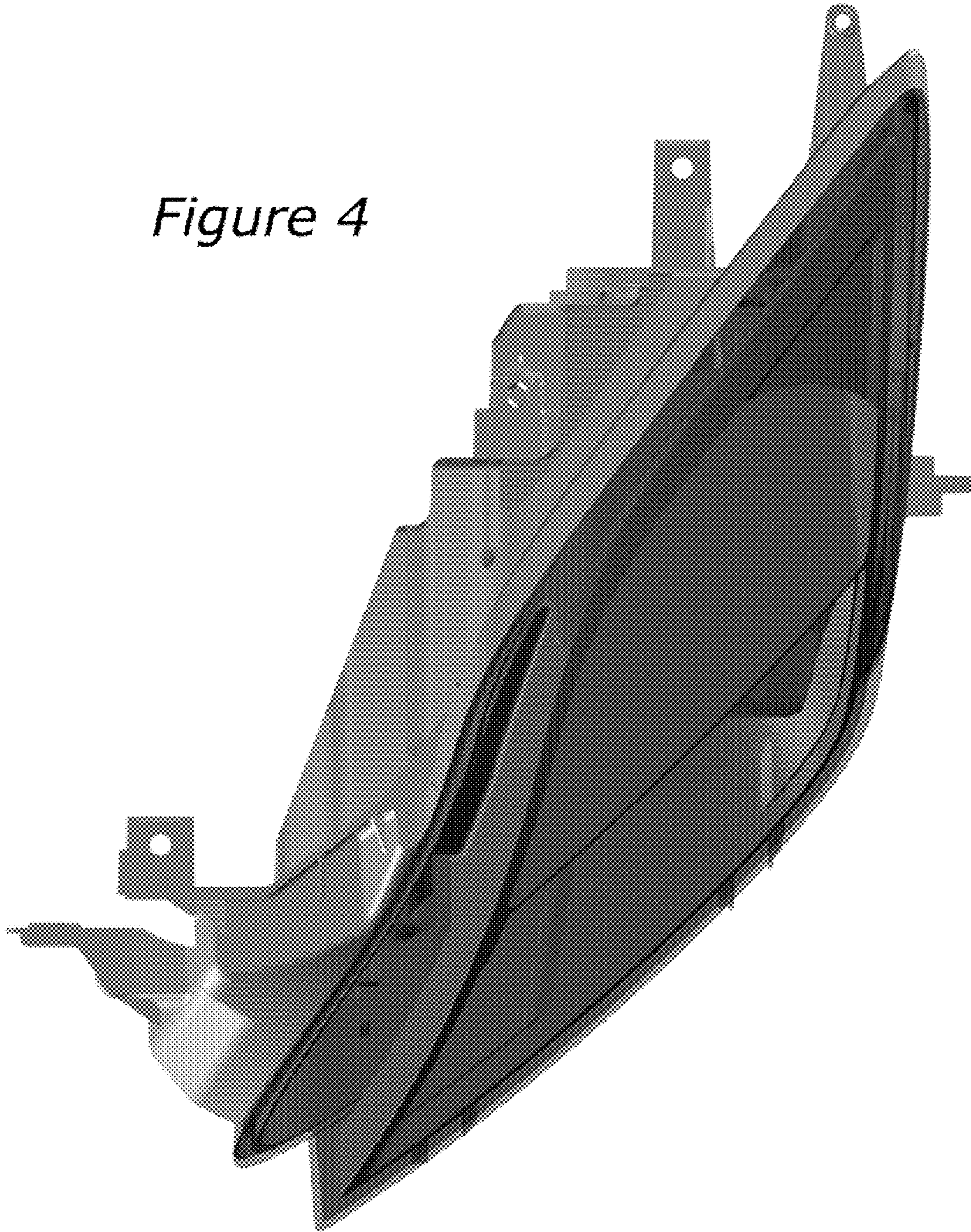


Figure 3

Figure 4



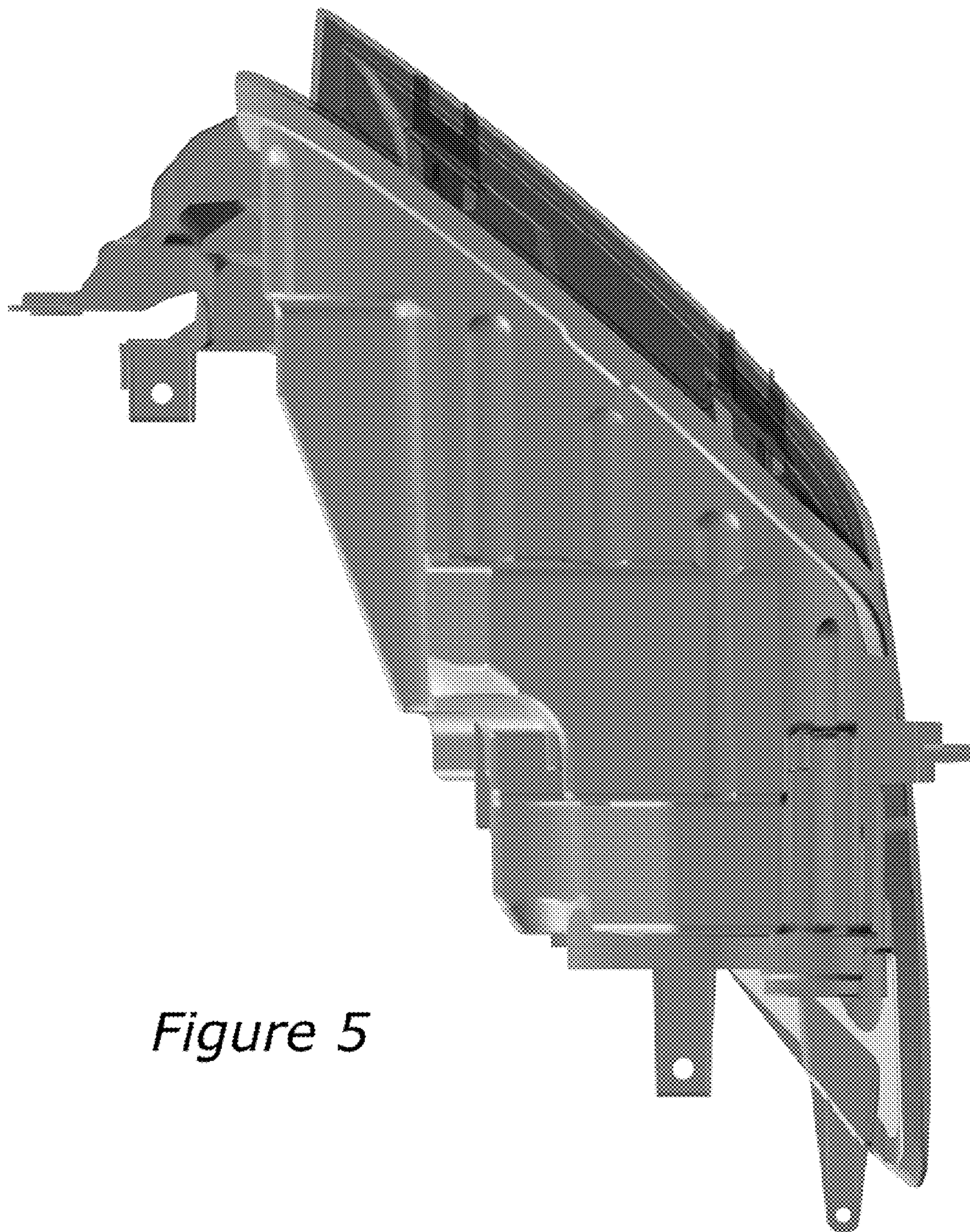


Figure 5

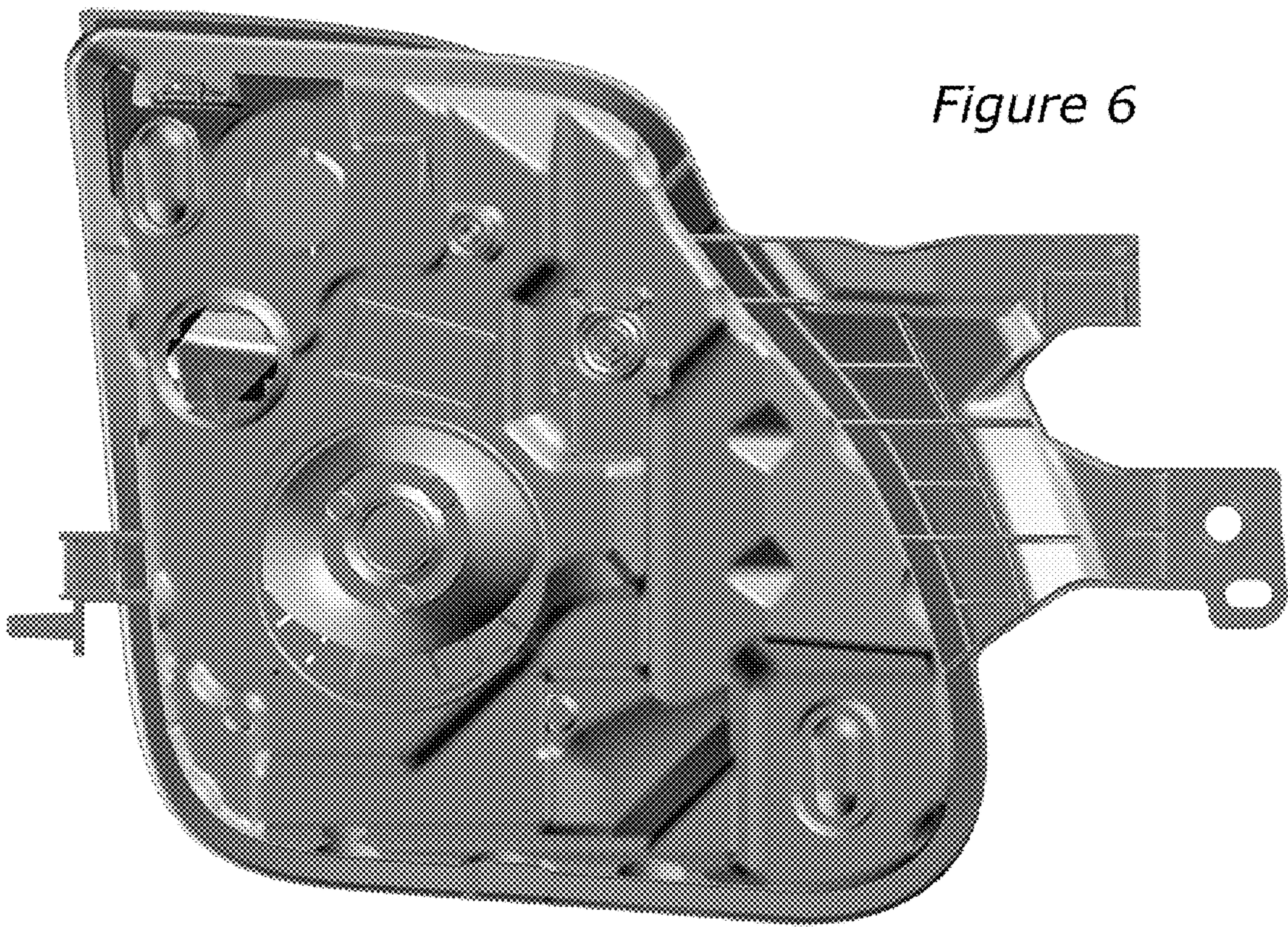


Figure 6