



US00D605314S

(12) **United States Design Patent**
Polston

(10) **Patent No.:** **US D605,314 S**
(45) **Date of Patent:** **** Dec. 1, 2009**

(54) **STARTER STRIP FOR WALL CONSTRUCTION**

5,916,095 A 6/1999 Tamlyn
6,385,932 B1 * 5/2002 Melchiori 52/302.3
D498,309 S * 11/2004 Koerner et al. D25/164

(75) Inventor: **Scott Polston**, Houston, TX (US)

* cited by examiner

(73) Assignee: **Ross Manufacturing, L.L.C.**, New Braunfels, TX (US)

Primary Examiner—Doris Clark
(74) *Attorney, Agent, or Firm*—Eric Karich

(**) Term: **14 Years**

(57) **CLAIM**

(21) Appl. No.: **29/306,262**

The ornamental design for a “starter strip for wall construction,” as shown and described.

(22) Filed: **Apr. 4, 2008**

(51) **LOC (9) Cl.** **25-01**

(52) **U.S. Cl.** **D25/199**

(58) **Field of Classification Search** D25/164,
D25/199; 52/58, 60, 302.6

See application file for complete search history.

DESCRIPTION

FIG. 1 is a perspective view of a starter strip for wall construction, showing my new design;

FIG. 2 is a front elevational view thereof;

FIG. 3 is a rear elevational view thereof;

FIG. 4 is a right side elevational view thereof

FIG. 5 is a left side elevational view thereof;

FIG. 6 is a top plan view thereof; and,

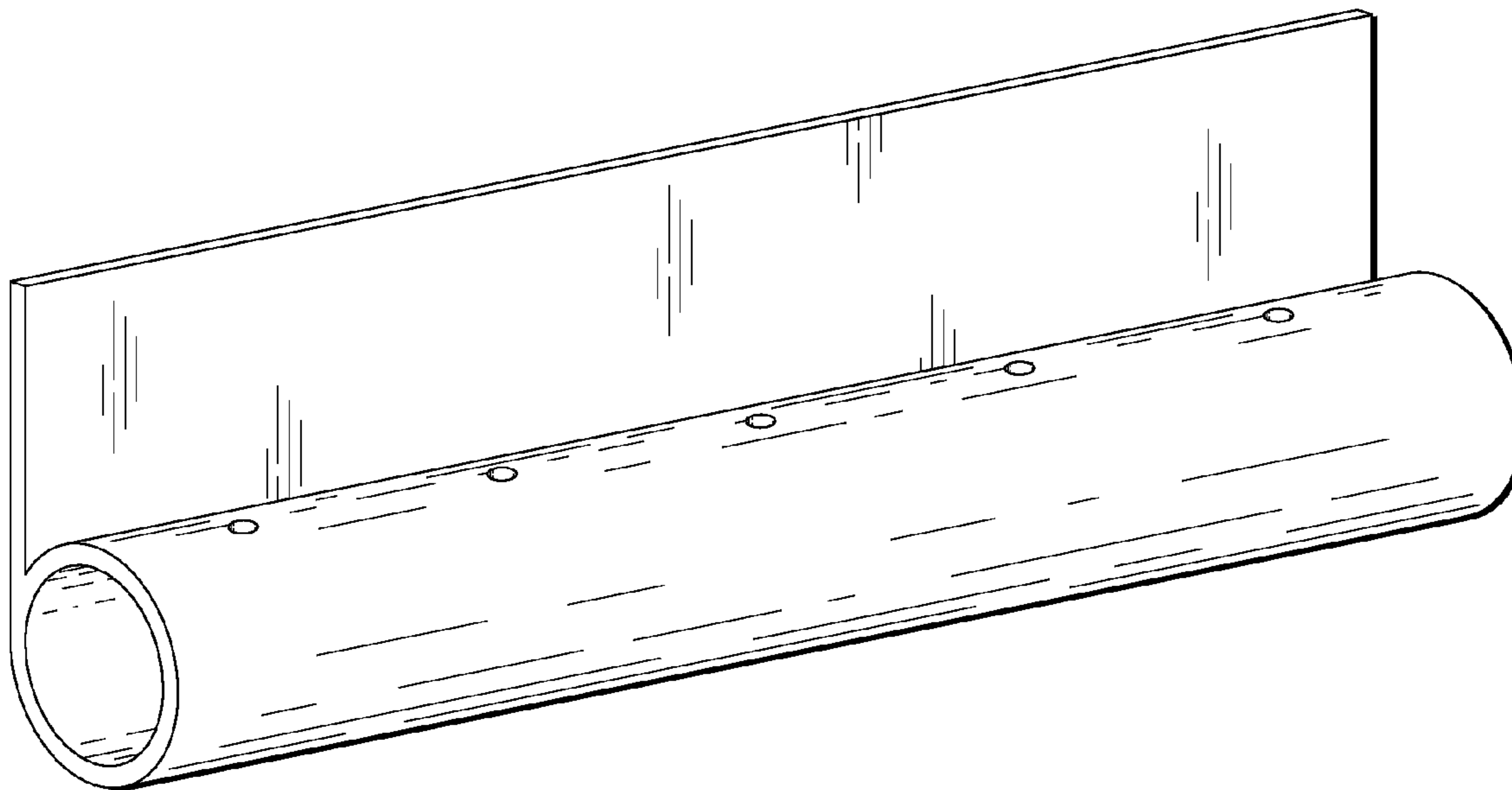
FIG. 7 is a bottom plan view thereof.

(56) **References Cited**

U.S. PATENT DOCUMENTS

5,575,127 A 11/1996 O’Neal
5,630,297 A 5/1997 Rutherford
D397,810 S * 9/1998 Basset D25/199
5,836,135 A * 11/1998 Hagan et al. 52/836

1 Claim, 2 Drawing Sheets



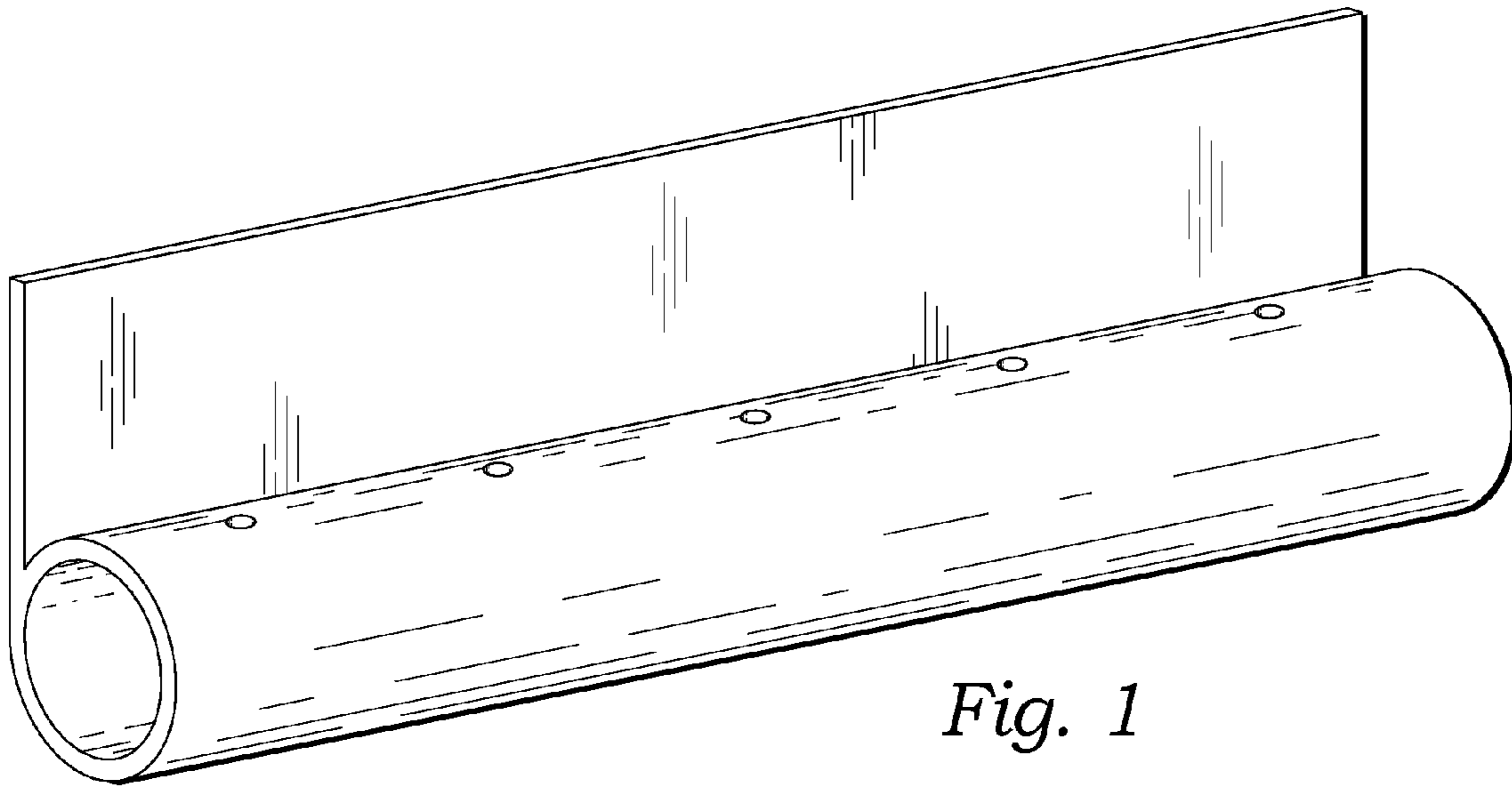


Fig. 1

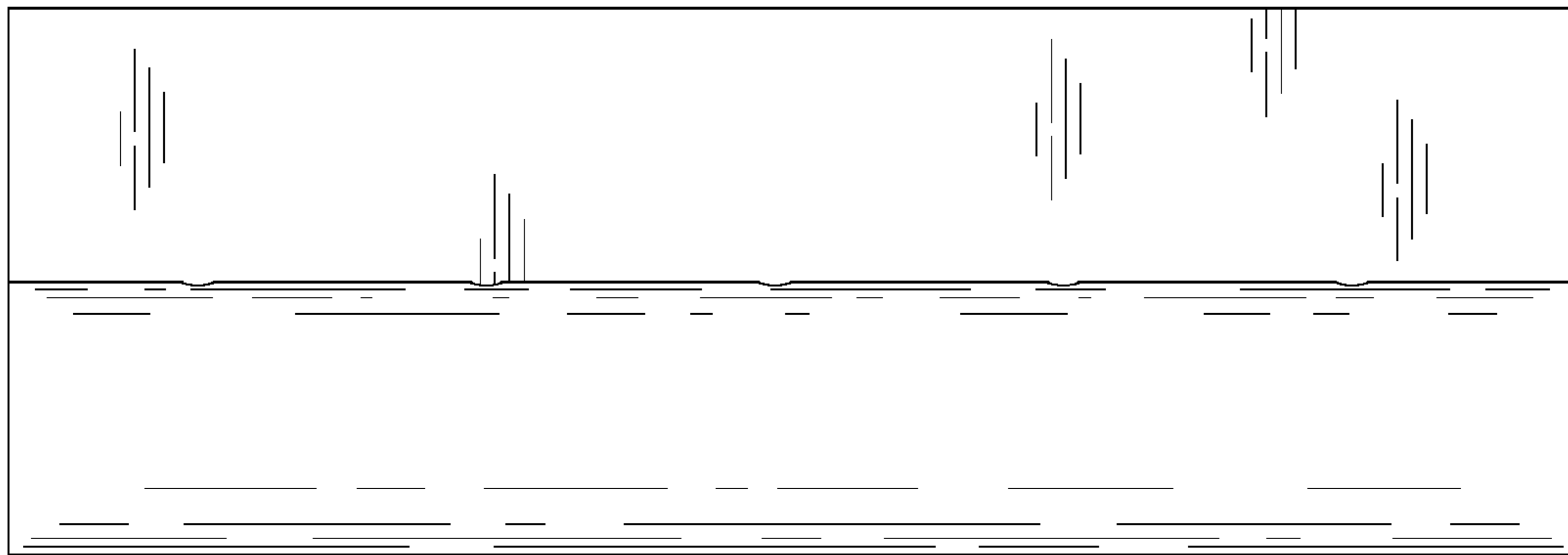


Fig. 2

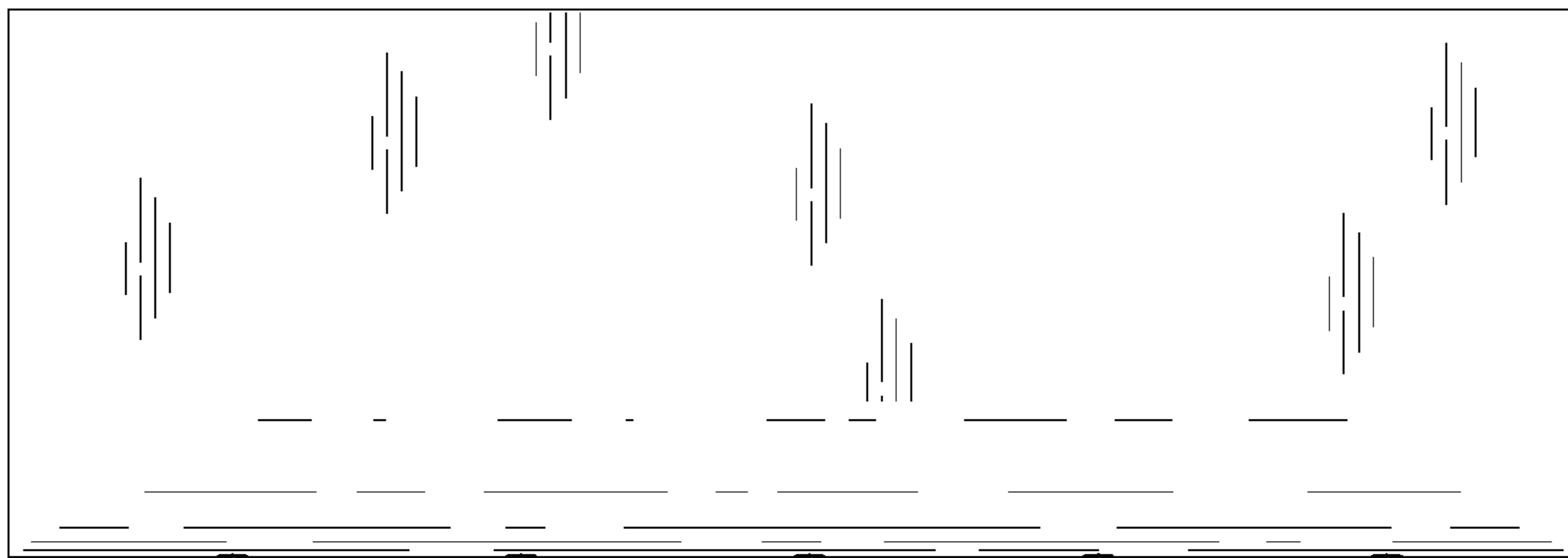


Fig. 3

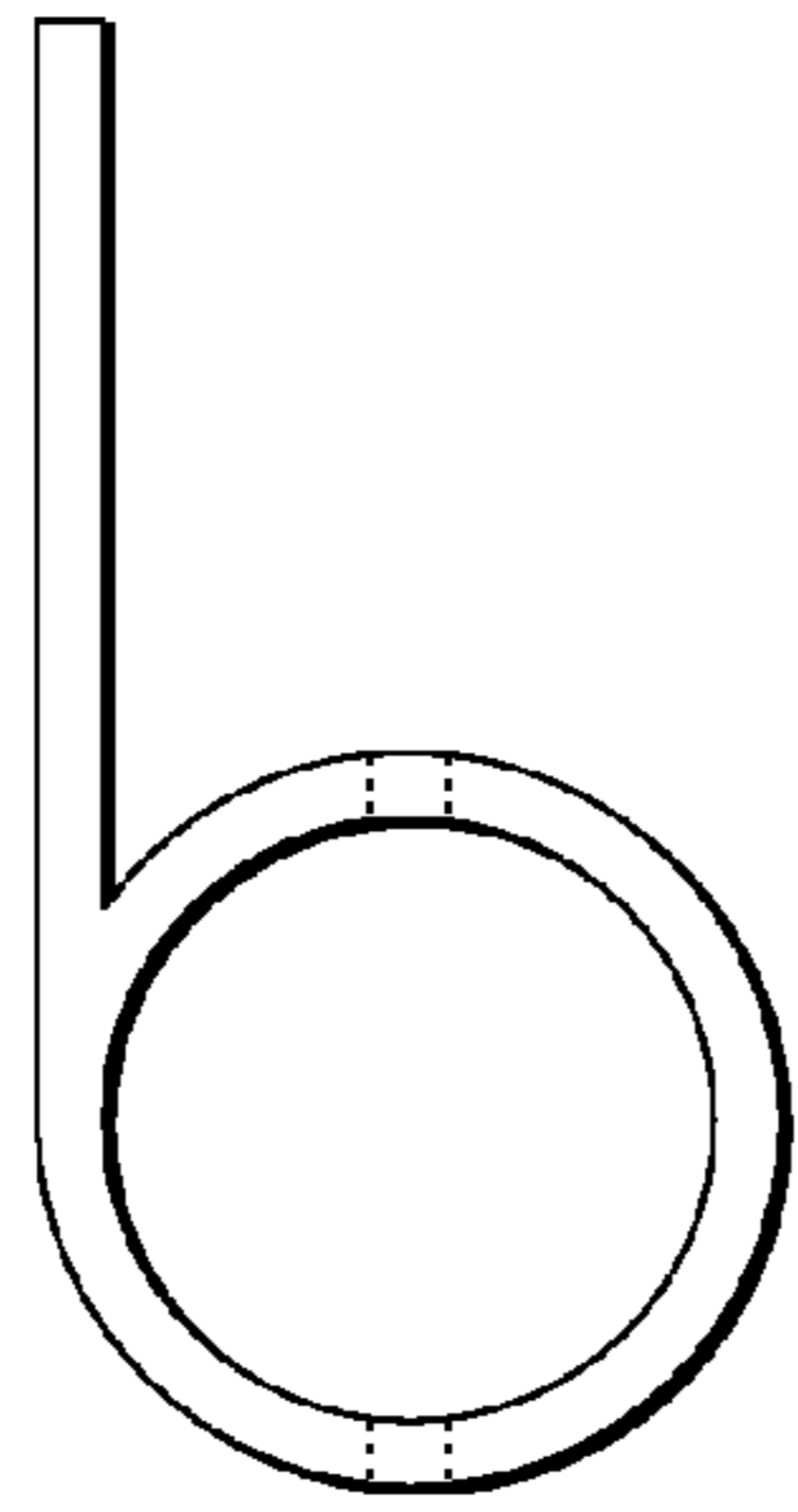


Fig. 4

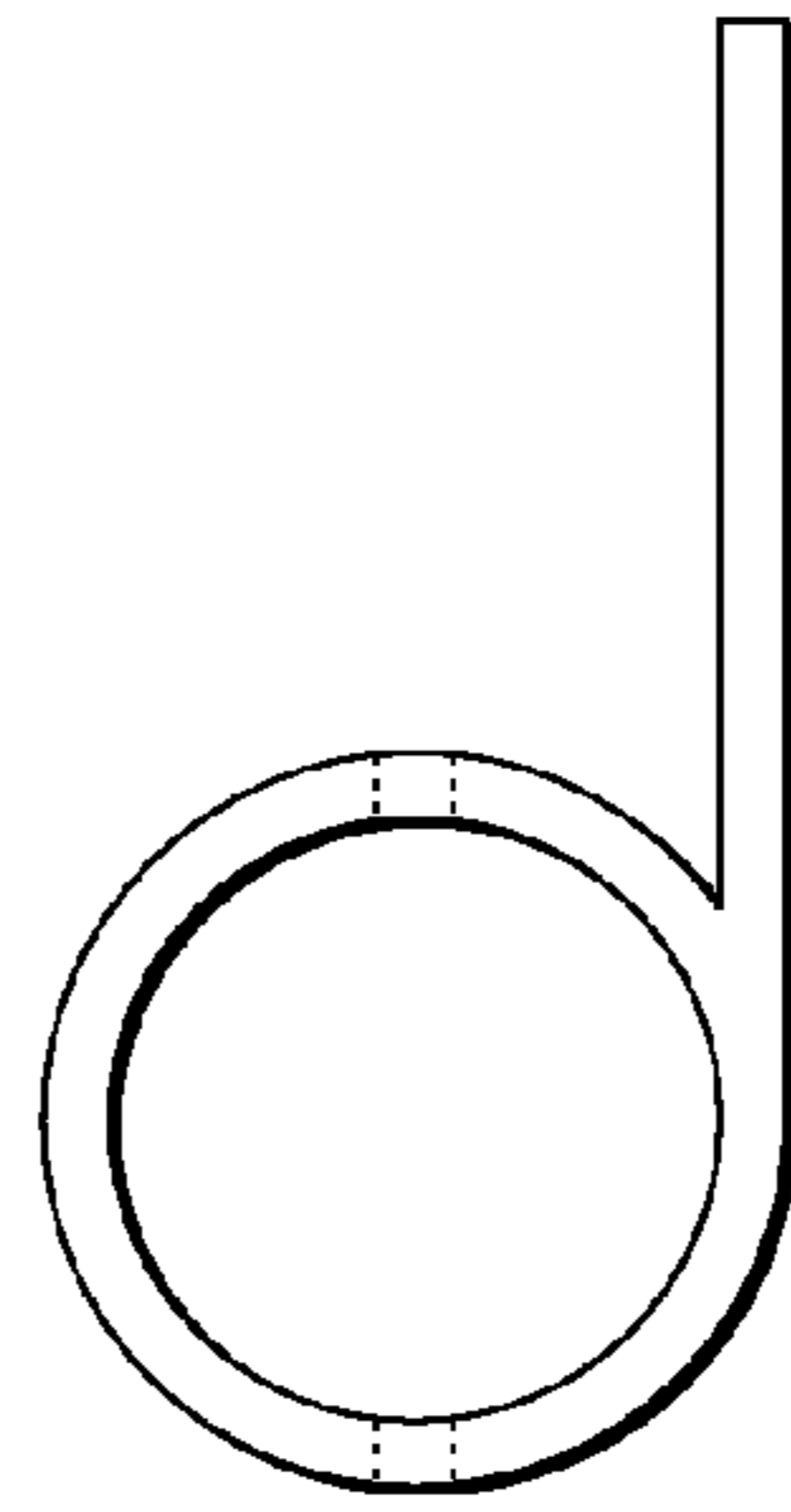


Fig. 5

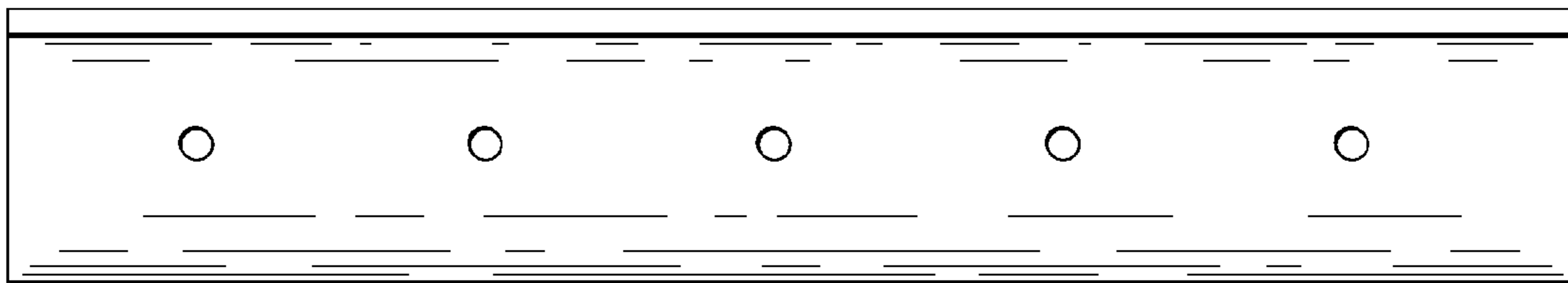


Fig. 6

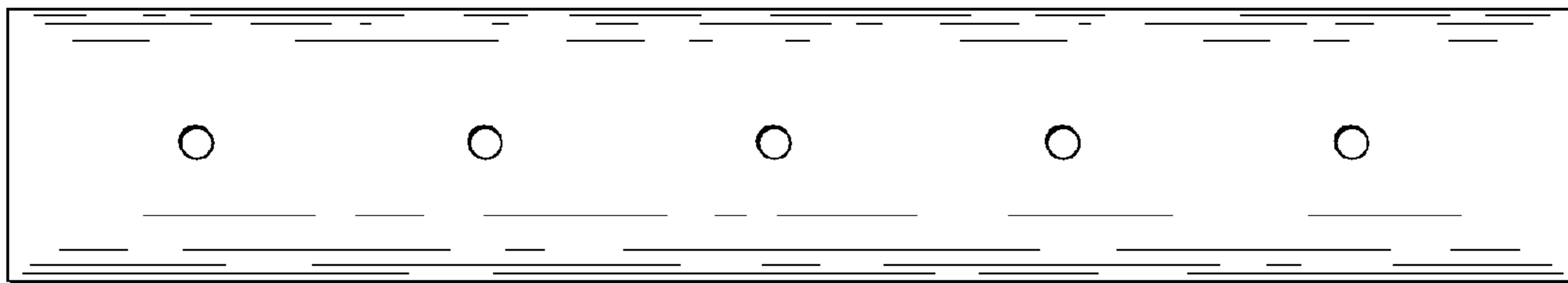


Fig. 7