



US00D605307S

(12) **United States Design Patent**
Fitzgerald

(10) **Patent No.:** **US D605,307 S**

(45) **Date of Patent:** **** Dec. 1, 2009**

(54) **EMERGENCY ESCAPE DOOR**

(76) Inventor: **Danny L. Fitzgerald**, P.O. Box 166,
Graysville, TN (US) 37338

(**) Term: **14 Years**

(21) Appl. No.: **29/321,600**

(22) Filed: **Jul. 20, 2008**

(51) **LOC (9) Cl.** **25-02**

(52) **U.S. Cl.** **D25/48**

(58) **Field of Classification Search** D25/60,
D25/48; 52/474, 455, 783.13, 784.11, 784.12;
49/501, 504, 8; 428/920, 921

See application file for complete search history.

(56) **References Cited**

U.S. PATENT DOCUMENTS

- D302,311 S * 7/1989 Buck D25/48
- 5,816,017 A * 10/1998 Hunt et al. 52/784.11
- D407,500 S * 3/1999 Gribble D25/48
- D438,636 S * 3/2001 Stuart D25/48
- 6,874,284 B1 * 4/2005 Hayward 52/79.1

7,028,431 B2 * 4/2006 Tlemcani et al. 49/8

* cited by examiner

Primary Examiner—Doris Clark

(57) **CLAIM**

I claim, the ornamental design for the emergency escape door,
as shown and described.

DESCRIPTION

FIG. 1 is a front elevational view of the emergency escape door showing my new design;

FIG. 2 is a rear elevational view of the emergency escape door thereof;

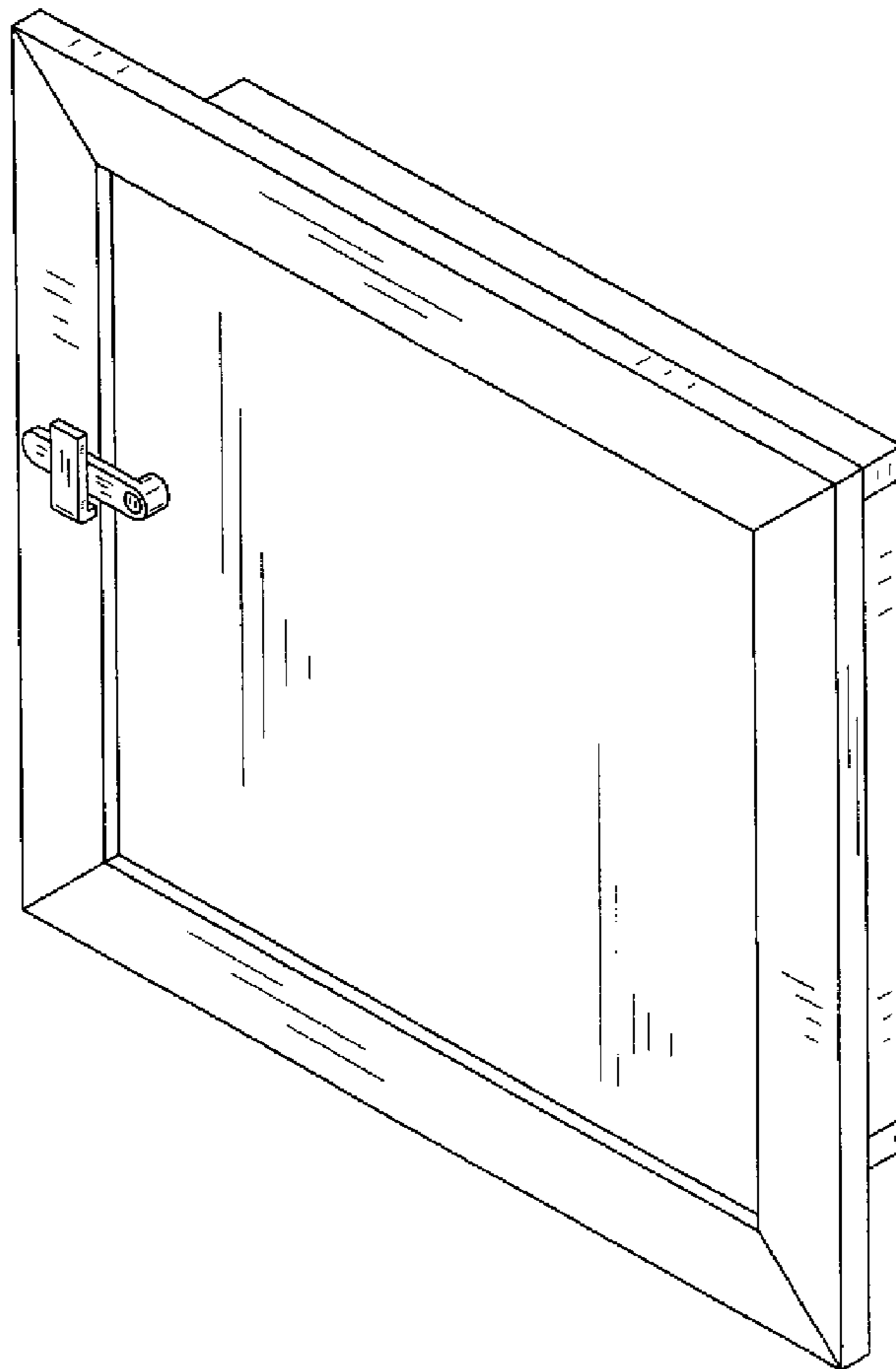
FIG. 3 is a left-side elevational view of the emergency escape door thereof;

FIG. 4 is a top plan view of the emergency escape door thereof;

FIG. 5 is a bottom plan view of the emergency escape door thereof; and,

FIG. 6 is a perspective view of the emergency escape door thereof.

1 Claim, 3 Drawing Sheets



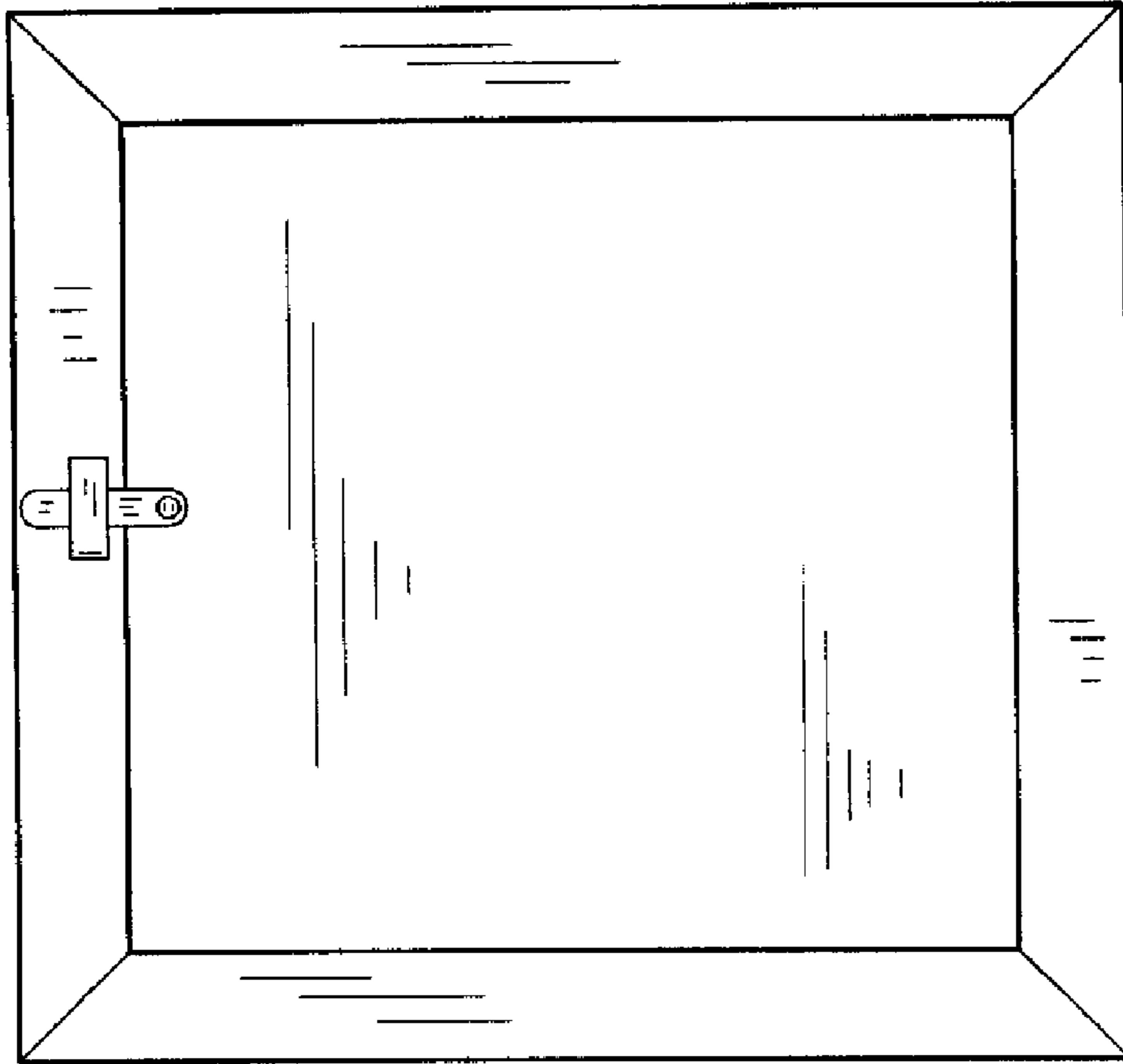


FIG. 1

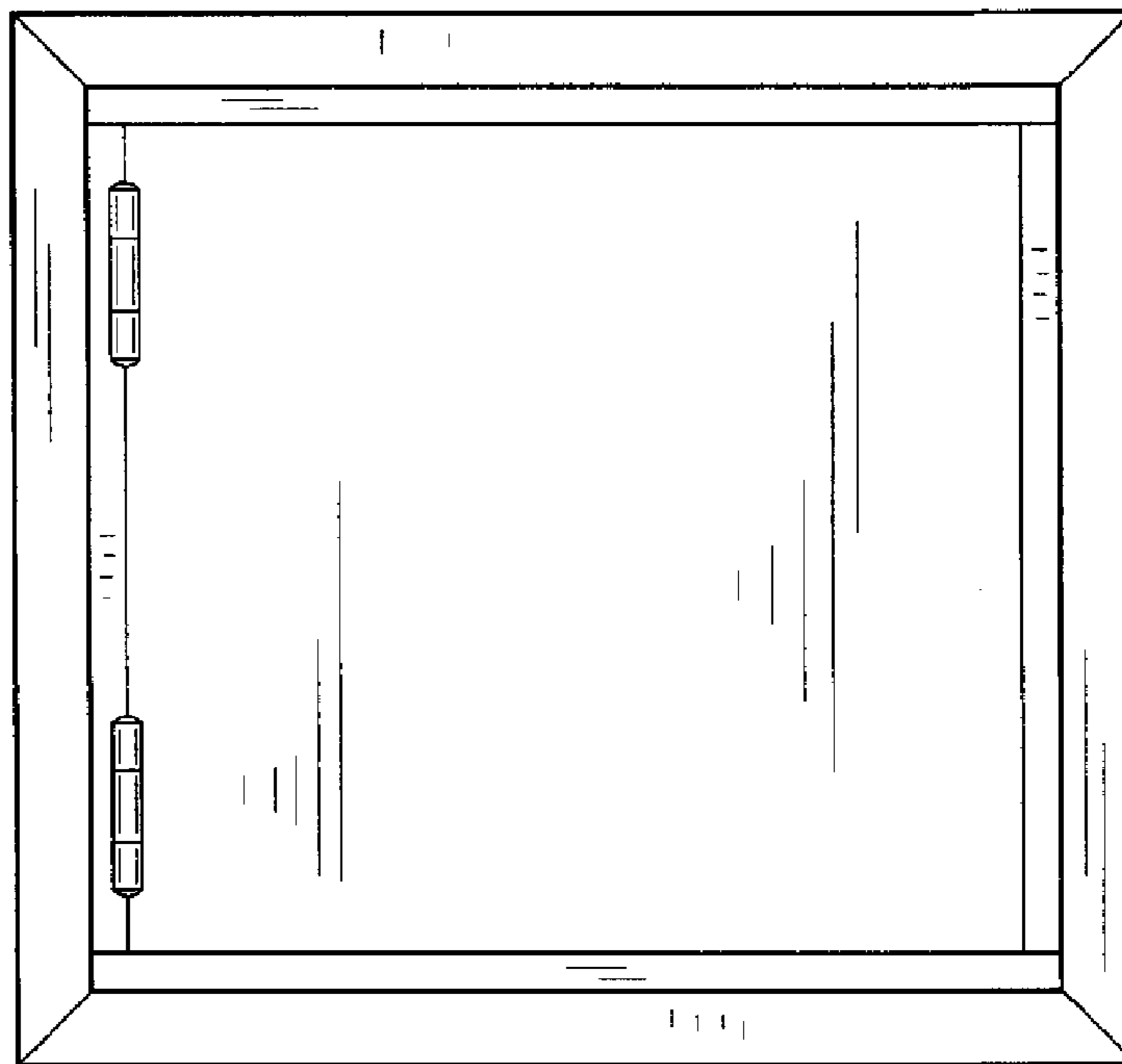


FIG. 2

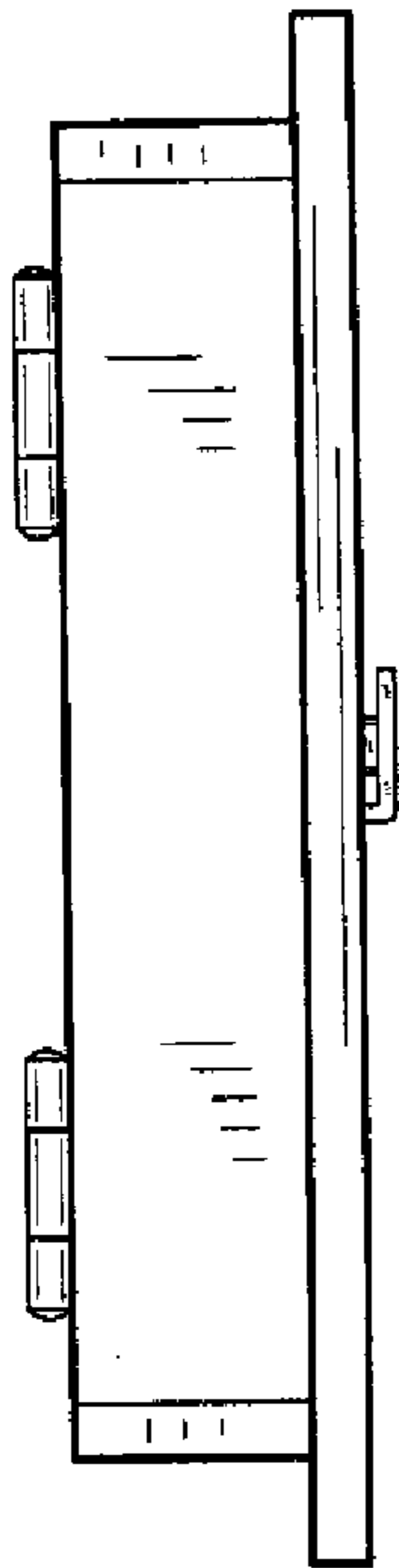


FIG. 3

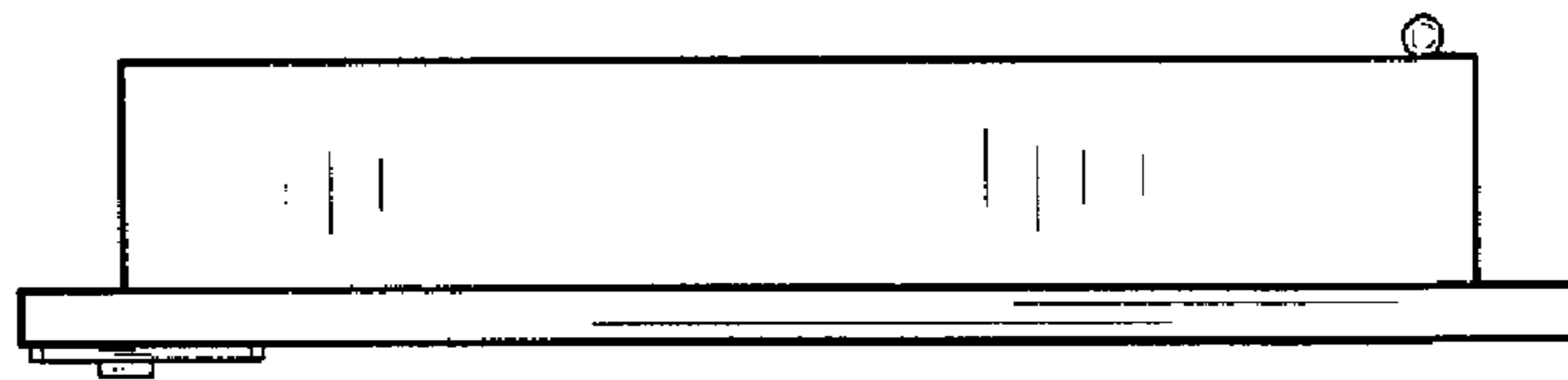


FIG. 4

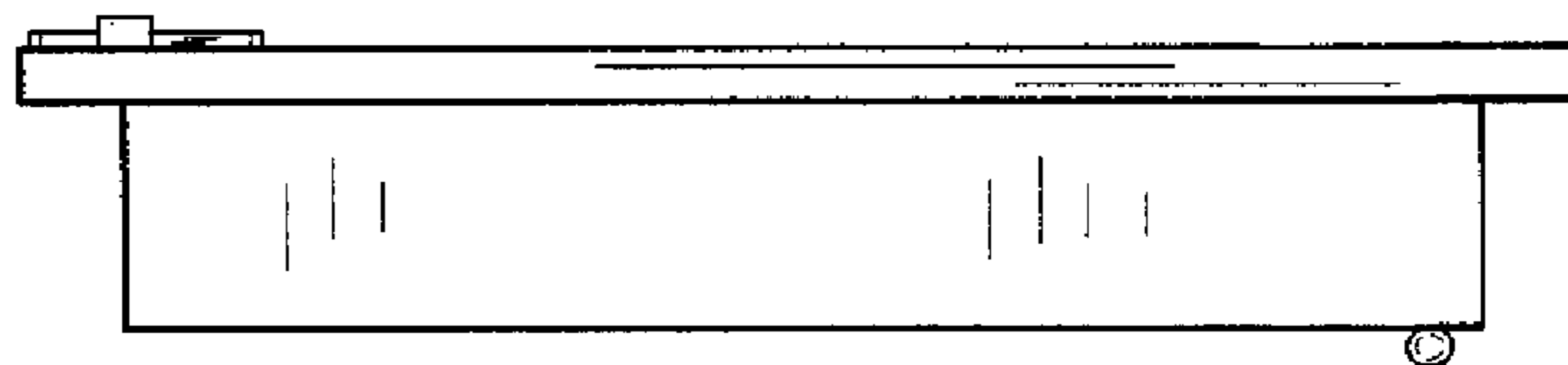


FIG. 5

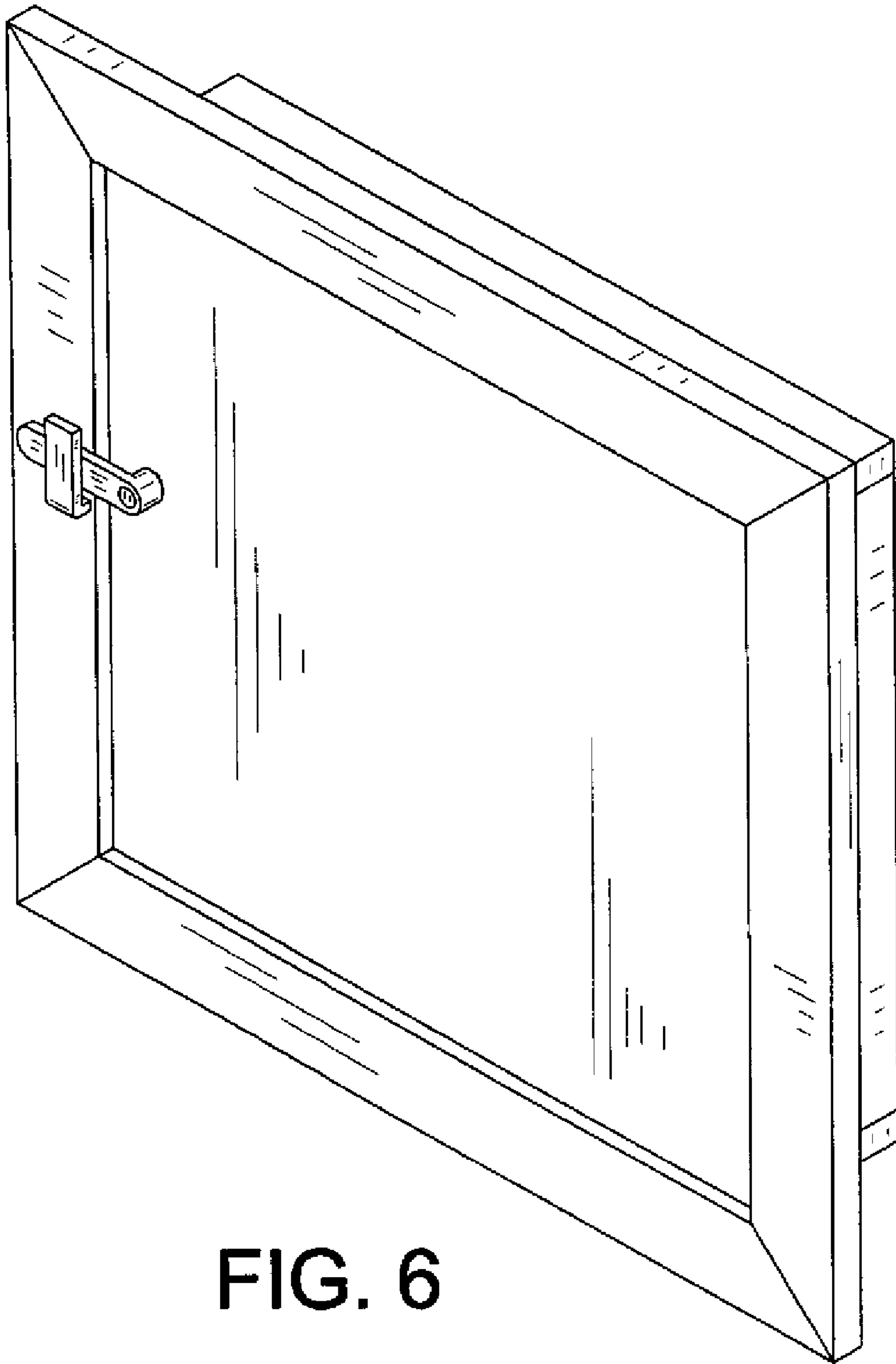


FIG. 6