



US00D605305S

(12) **United States Design Patent**
Carter

(10) **Patent No.:** **US D605,305 S**

(45) **Date of Patent:** **** Dec. 1, 2009**

(54) **SCREENING DEVICE FOR SLEEP DISORDERS**

(75) Inventor: **James S. Carter**, Denver, CO (US)

(73) Assignee: **Sleep Holdings, LLC**, Denver, CO (US)

(**) Term: **14 Years**

(21) Appl. No.: **29/338,431**

(22) Filed: **Jun. 11, 2009**

(51) **LOC (9) Cl.** **24-01**

(52) **U.S. Cl.** **D24/231**

(58) **Field of Classification Search** D24/107,
D24/186, 188, 200, 231, 232; D14/160,
D14/168, 217, 223, 299; D10/116; 600/26–28
See application file for complete search history.

(56) **References Cited**

U.S. PATENT DOCUMENTS

| | | | | | |
|-----------|-----|---------|-----------------|-------|---------|
| 3,121,220 | A * | 2/1964 | Buckwalter | | 600/28 |
| 3,376,870 | A * | 4/1968 | Yamamoto et al. | | 600/27 |
| D244,878 | S * | 6/1977 | Brand | | D24/188 |
| D311,065 | S * | 10/1990 | Theisen et al. | | D24/231 |
| D320,023 | S * | 9/1991 | Gault | | D14/299 |
| D339,351 | S * | 9/1993 | Matsuoka et al. | | D14/299 |
| D342,739 | S * | 12/1993 | Atkin et al. | | D14/217 |
| D347,008 | S * | 5/1994 | Theisen et al. | | D14/160 |
| D364,404 | S * | 11/1995 | Theisen | | D14/160 |
| 5,483,967 | A | 1/1996 | Ohtake | | |
| D372,249 | S * | 7/1996 | Pinchuk | | D14/299 |
| D378,212 | S * | 2/1997 | Sirois et al. | | D24/231 |

(Continued)

FOREIGN PATENT DOCUMENTS

JP 2007-296266 11/2007

Primary Examiner—T. Chase Nelson
Assistant Examiner—Mark Cavanna

(74) *Attorney, Agent, or Firm*—Carmody & Torrance LLP

(57) **CLAIM**

The ornamental design for a screening device for sleep disorders, as shown and described.

DESCRIPTION

FIG. 1 is a first perspective view of a screening device for sleep disorders showing my new design;

FIG. 2 is a second perspective view thereof;

FIG. 3 is a first end elevational view thereof;

FIG. 4 is a second end elevational view thereof;

FIG. 5 is a right side elevational view thereof;

FIG. 6 is a left side elevational view thereof;

FIG. 7 is a top plan view thereof;

FIG. 8 is a bottom plan view thereof;

FIG. 9 is a first perspective view of a screening device for sleep disorders showing an alternate embodiment of my new design;

FIG. 10 is a second perspective view of the alternate embodiment;

FIG. 11 is a first end elevational view of the alternate embodiment;

FIG. 12 is a second end elevational view of the alternate embodiment;

FIG. 13 is a right side elevational view of the alternate embodiment;

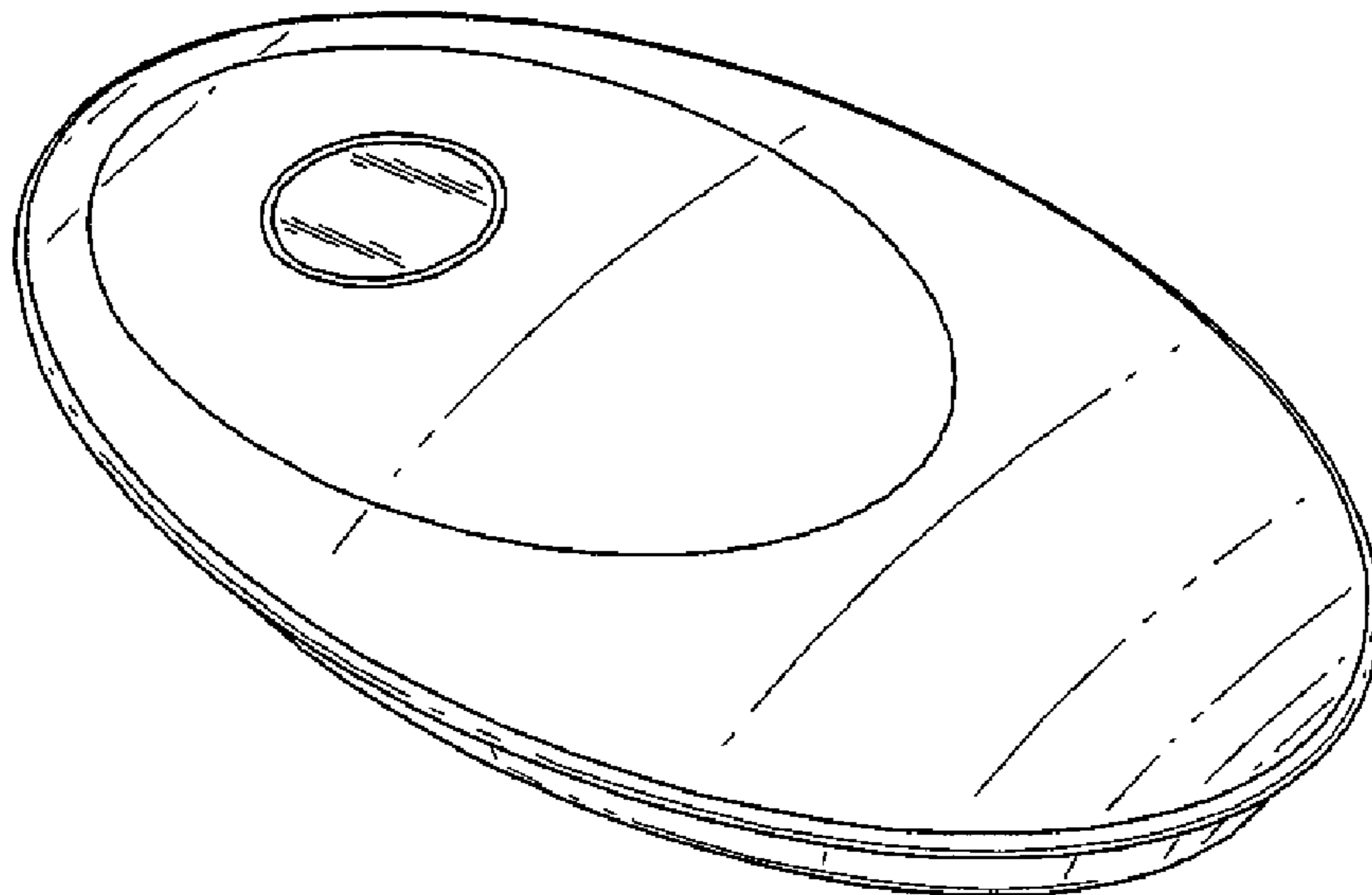
FIG. 14 is a left side elevational view of the alternate embodiment;

FIG. 15 is a top plan view of the alternate embodiment; and,

FIG. 16 is a bottom plan view of the alternate embodiment.

The dotted lines are intended to show features that are environmental only and form no part of the claimed design.

1 Claim, 6 Drawing Sheets



US D605,305 S

Page 2

U.S. PATENT DOCUMENTS

| | | | | | | | |
|--------------|---------|---------------------|---------|-----------------|---------|----------------------|---------|
| D396,855 S * | 8/1998 | Barbeau et al. | D24/231 | D510,347 S * | 10/2005 | Martin | D14/299 |
| D399,320 S * | 10/1998 | Barbeau et al. | D24/231 | D512,417 S * | 12/2005 | Hirakawa et al. | D14/223 |
| D408,312 S * | 4/1999 | Sirois et al. | D10/116 | D518,039 S * | 3/2006 | Geringer | D14/299 |
| 6,117,077 A | 9/2000 | Del Mar et al. | | 2005/0054940 A1 | 3/2005 | Almen | |
| D447,434 S * | 9/2001 | Cowan et al. | D10/116 | 2005/0131288 A1 | 6/2005 | Turner et al. | |
| D455,416 S * | 4/2002 | McDermott | D14/168 | 2006/0258930 A1 | 11/2006 | Wu et al. | |
| 6,456,872 B1 | 9/2002 | Faisandier | | 2007/0129622 A1 | 6/2007 | Bourget et al. | |
| D465,484 S * | 11/2002 | Christianson | D14/299 | 2007/0255153 A1 | 11/2007 | Kumar et al. | |
| D469,429 S * | 1/2003 | Blackman | D14/299 | | | | |

* cited by examiner

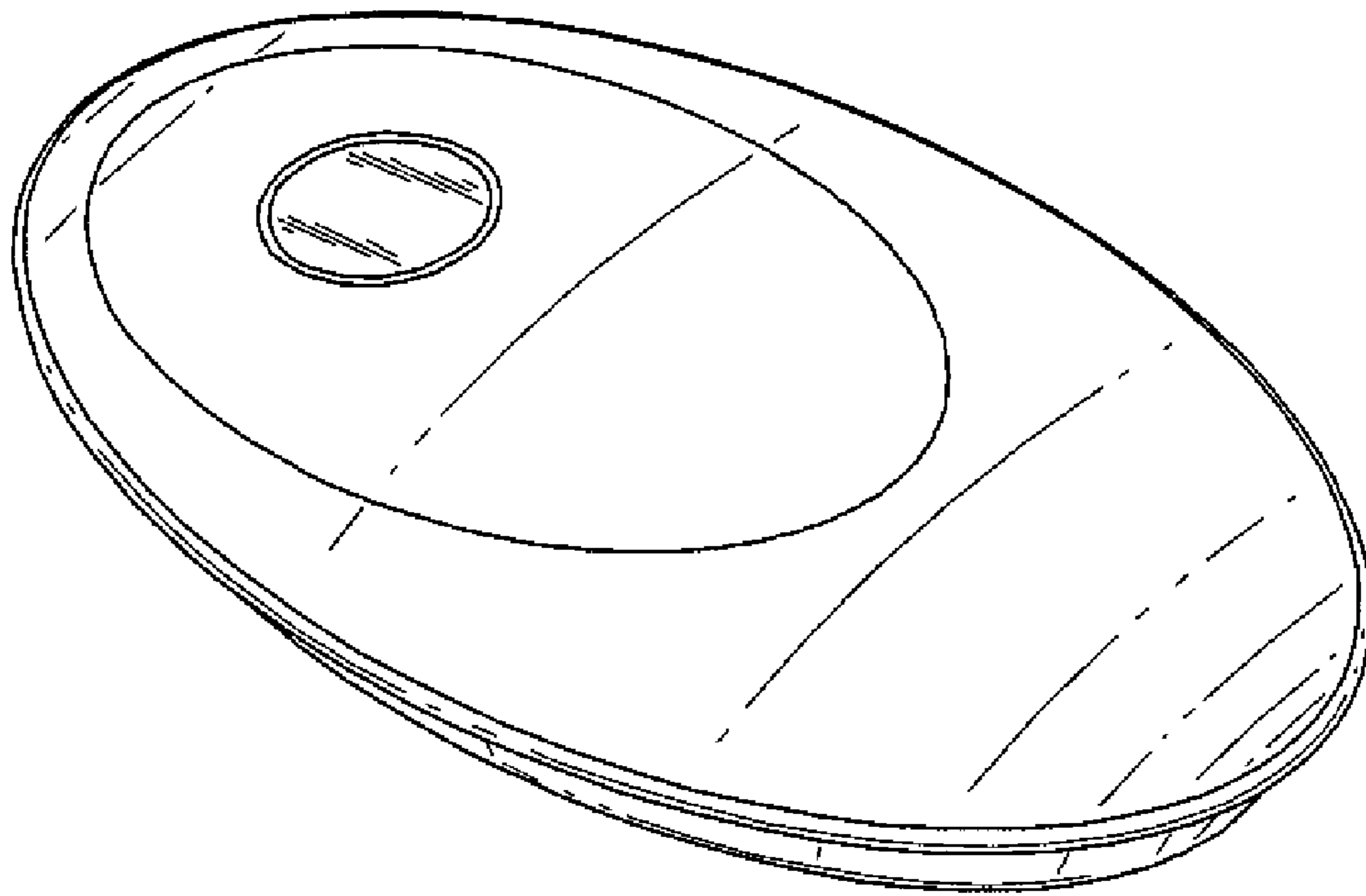


FIG. 1

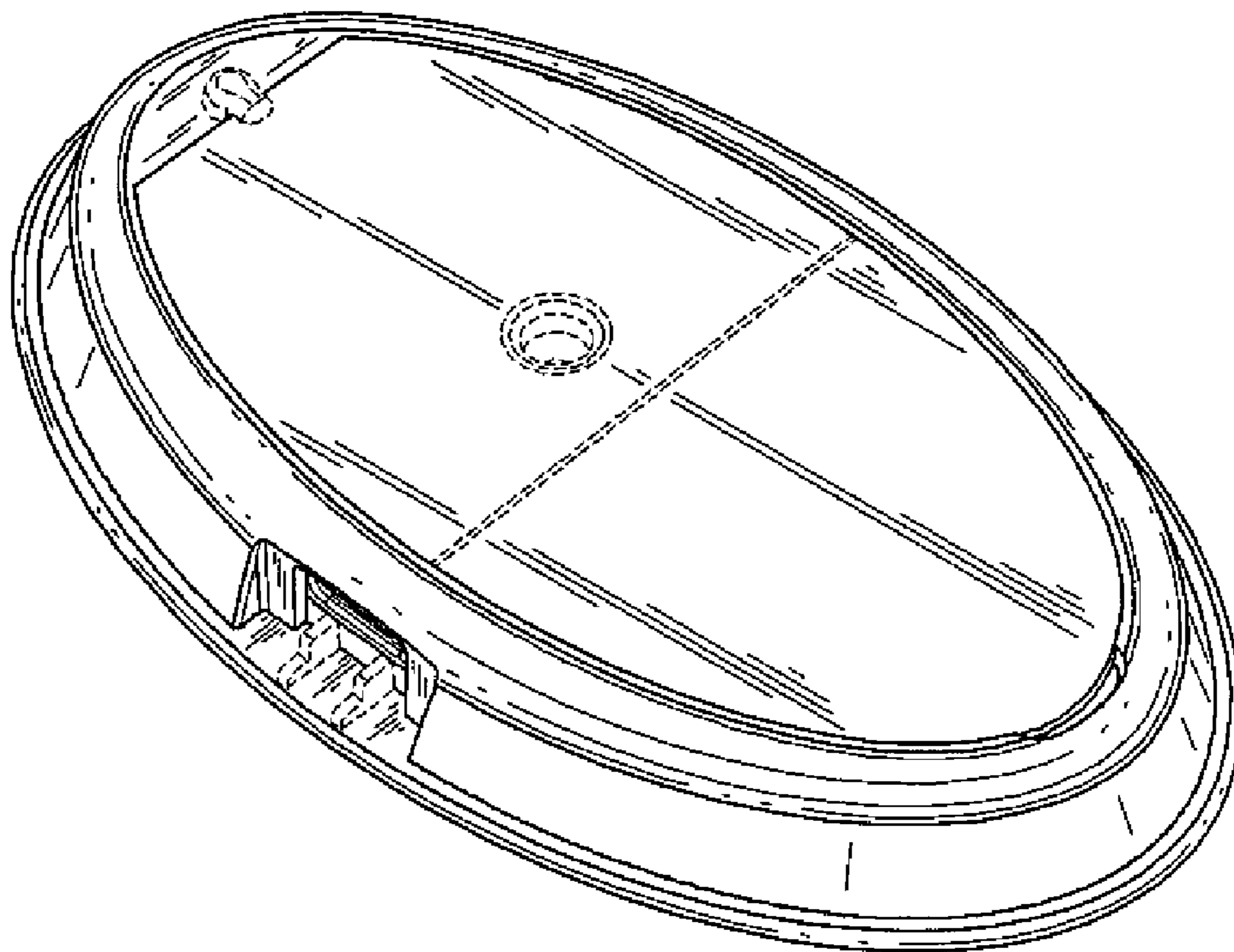


FIG. 2

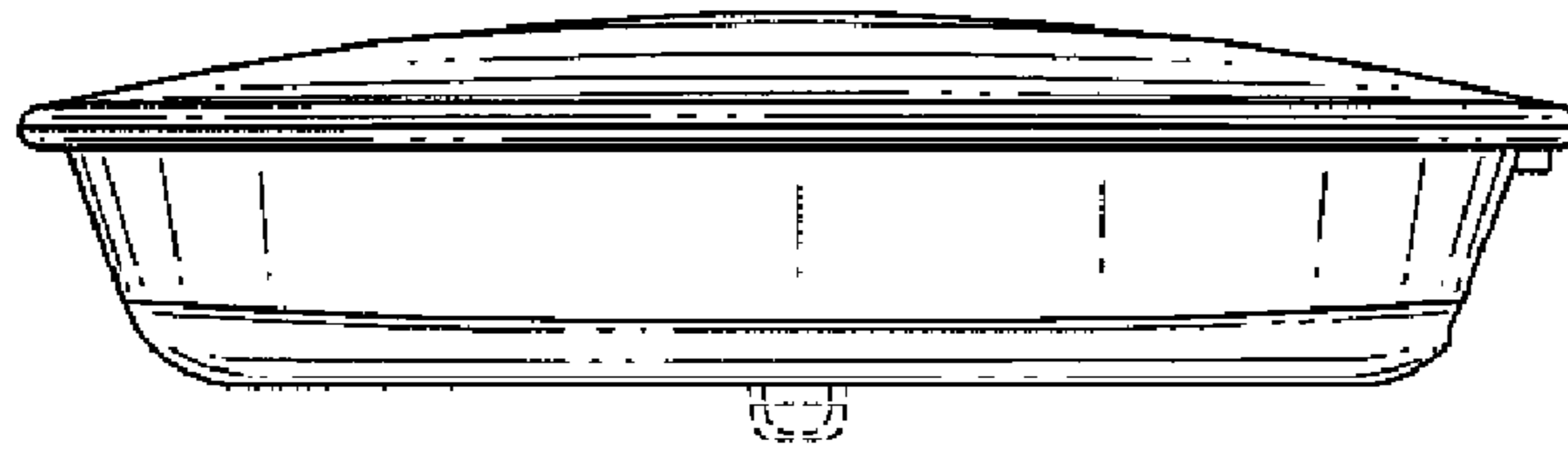


FIG. 3

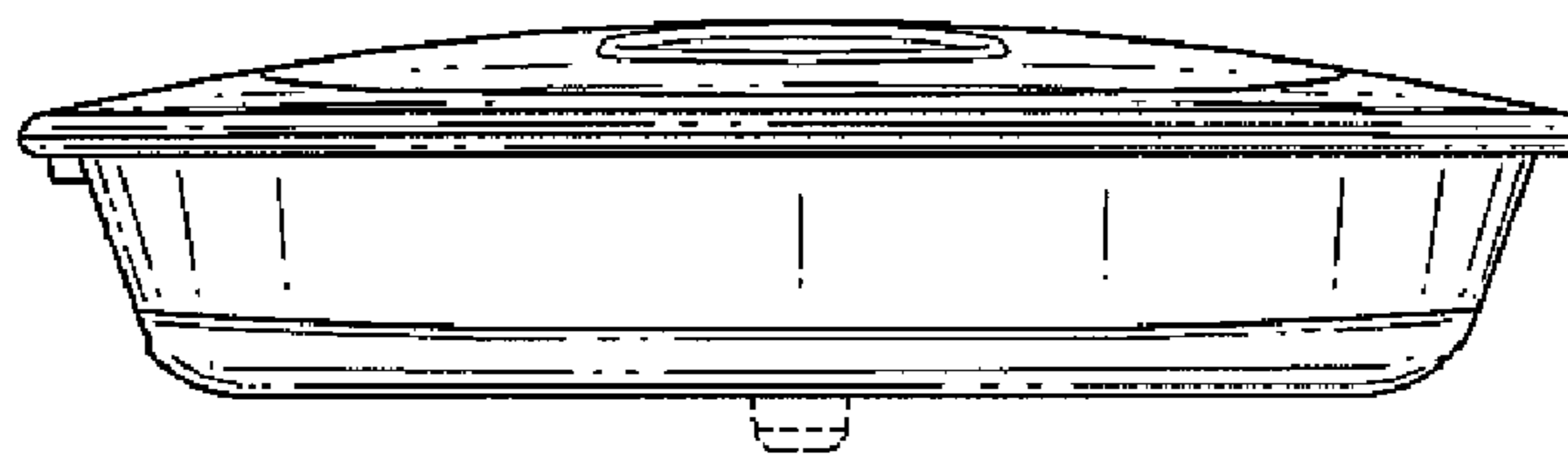


FIG. 4

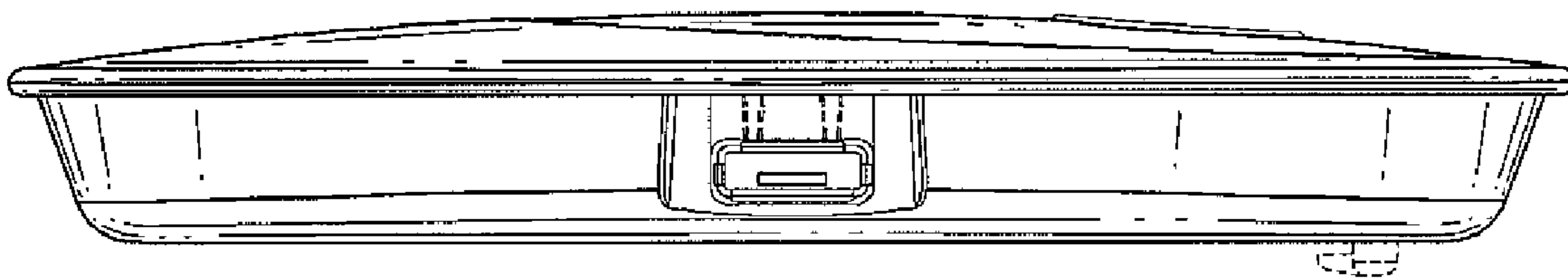


FIG. 5

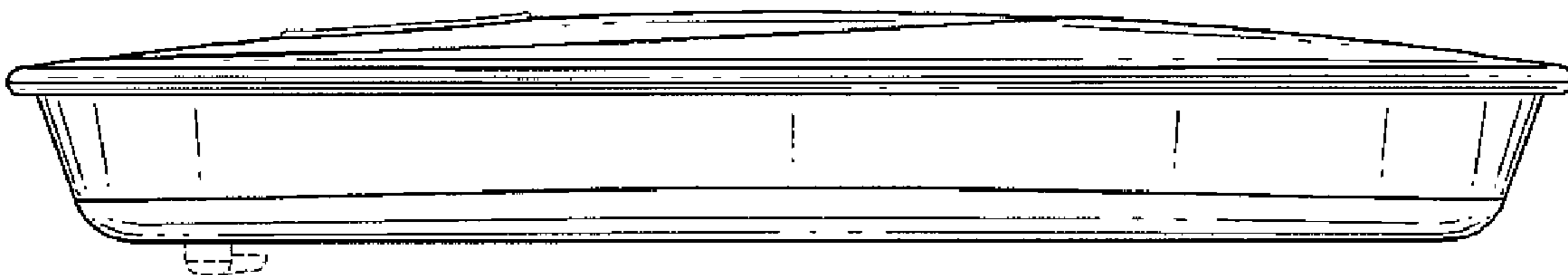


FIG. 6

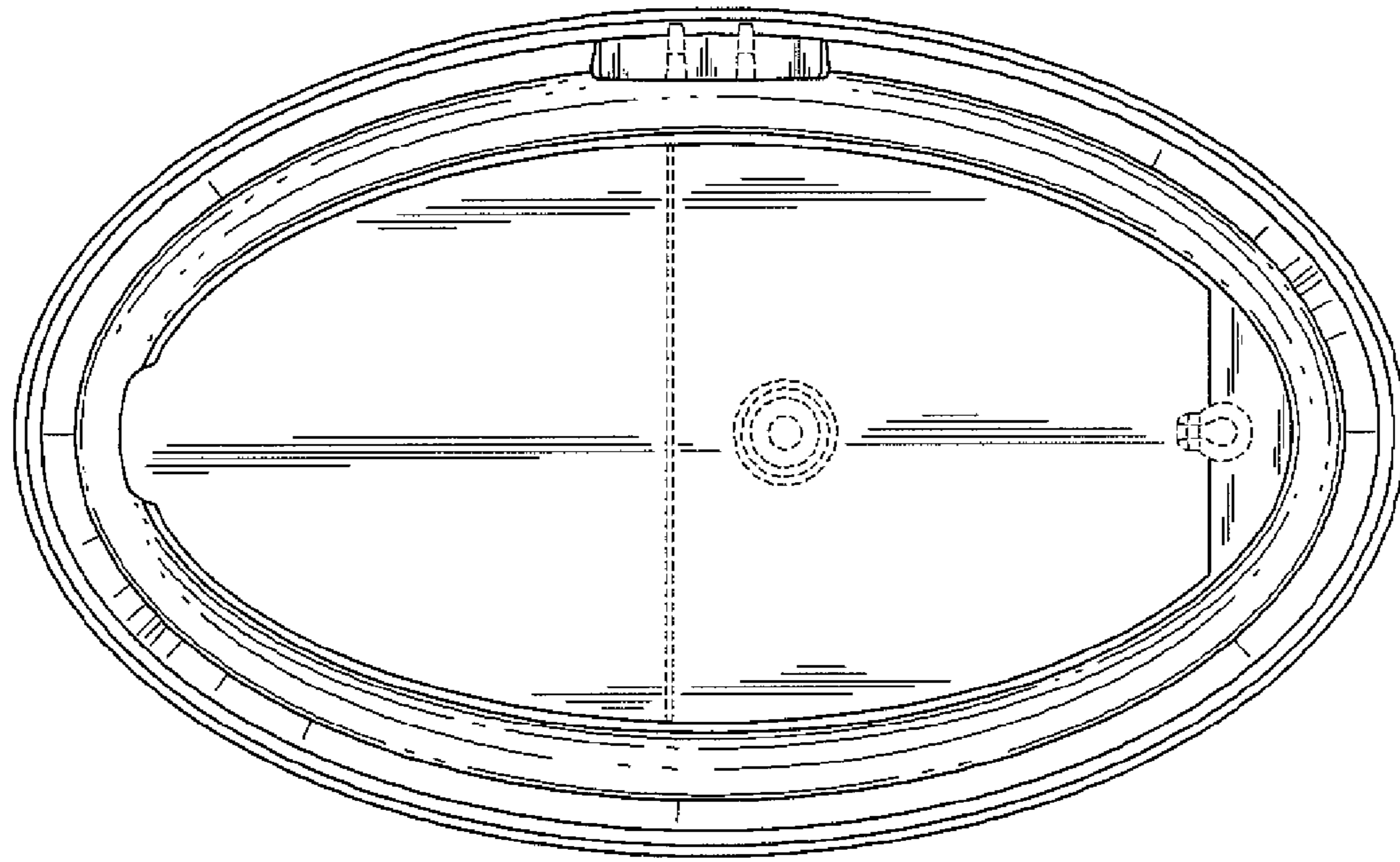


FIG. 8

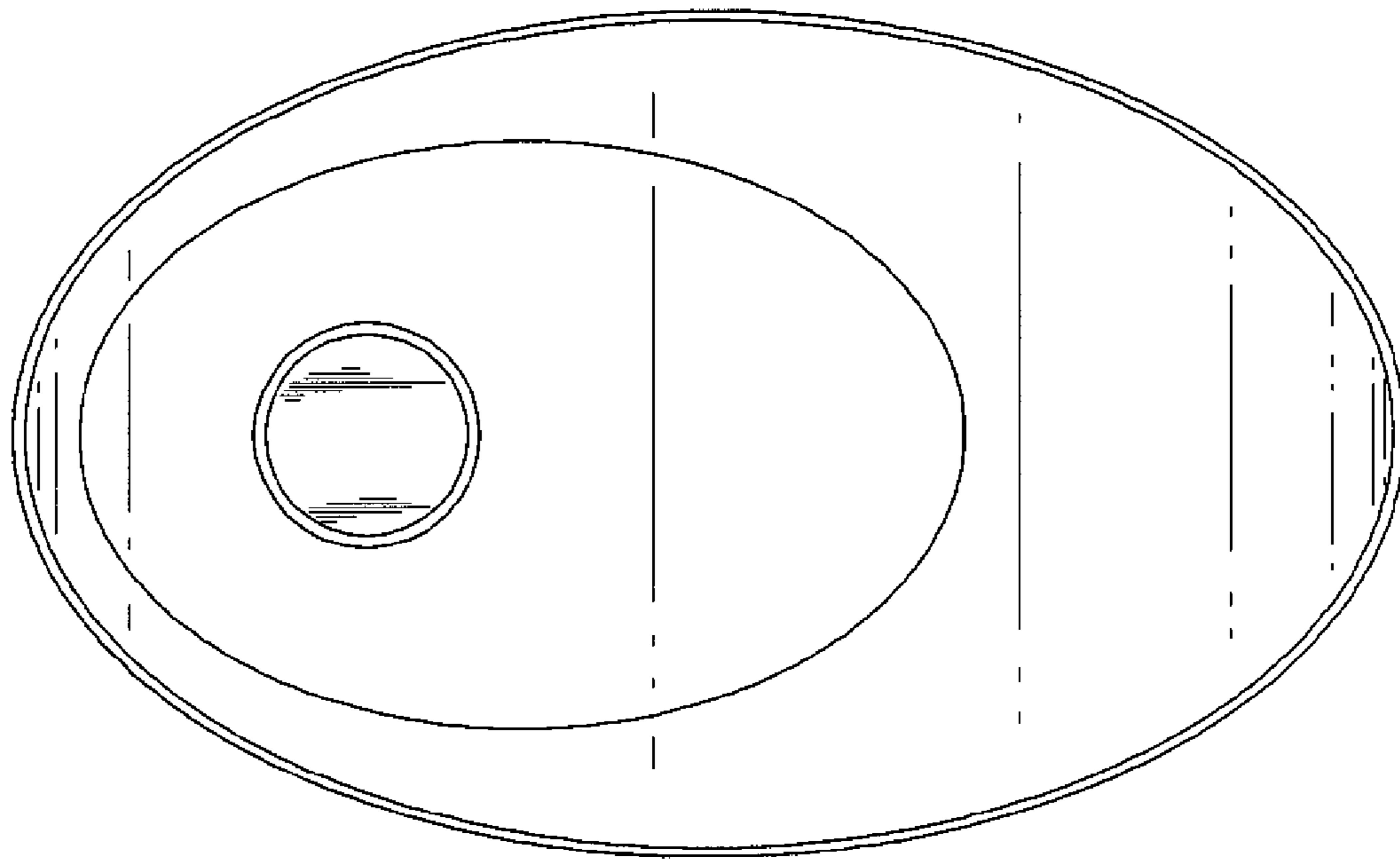


FIG. 7

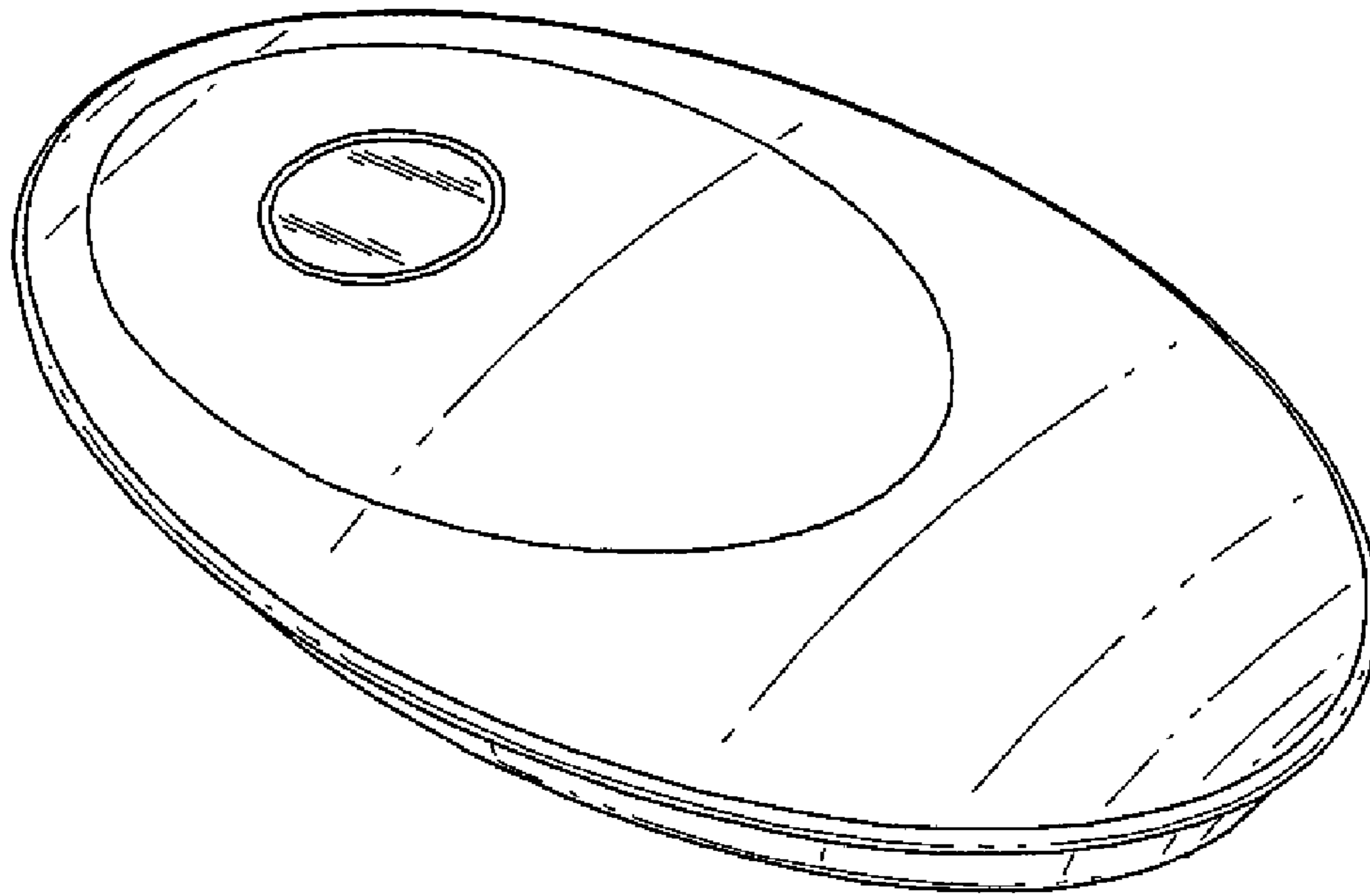


FIG. 9

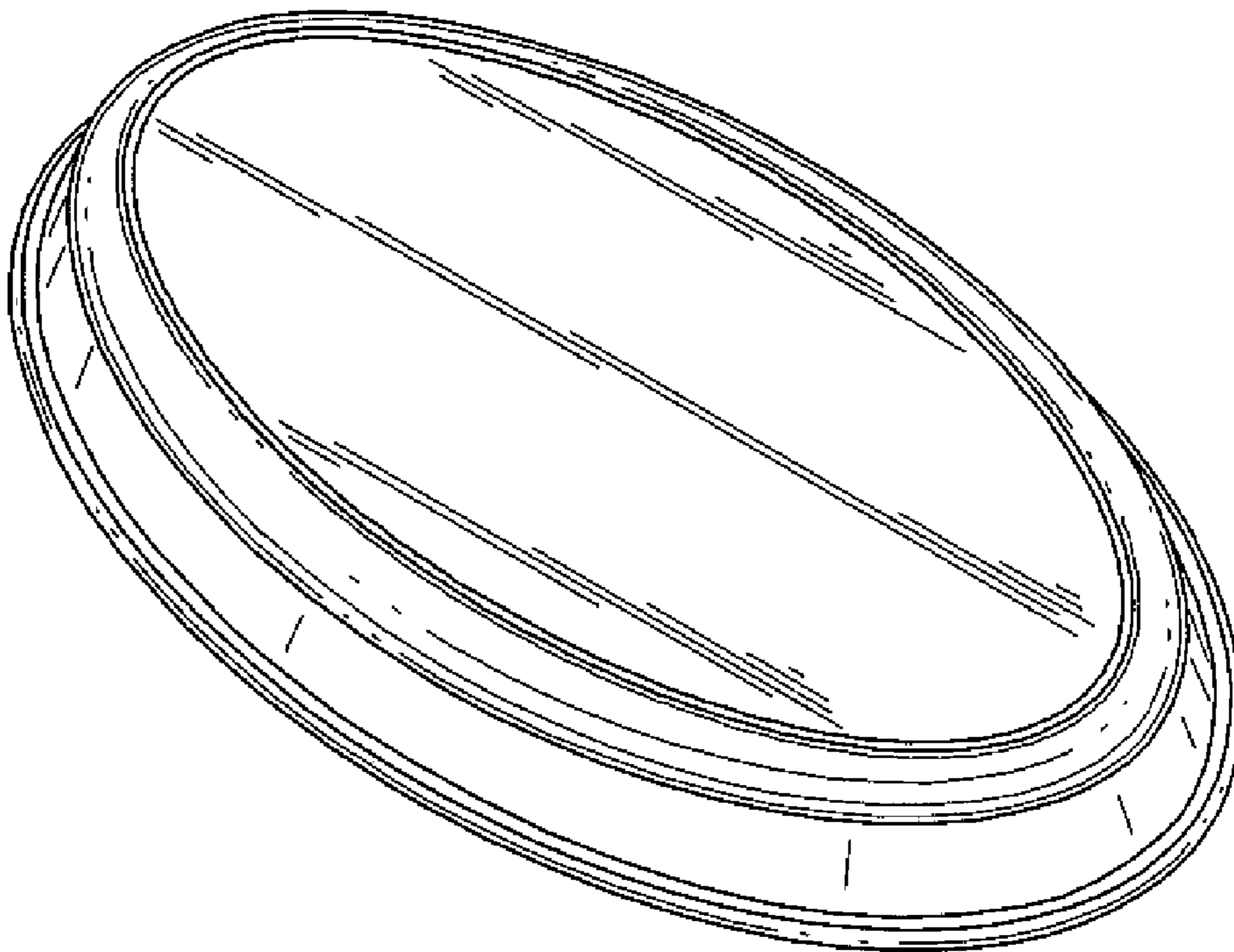


FIG. 10

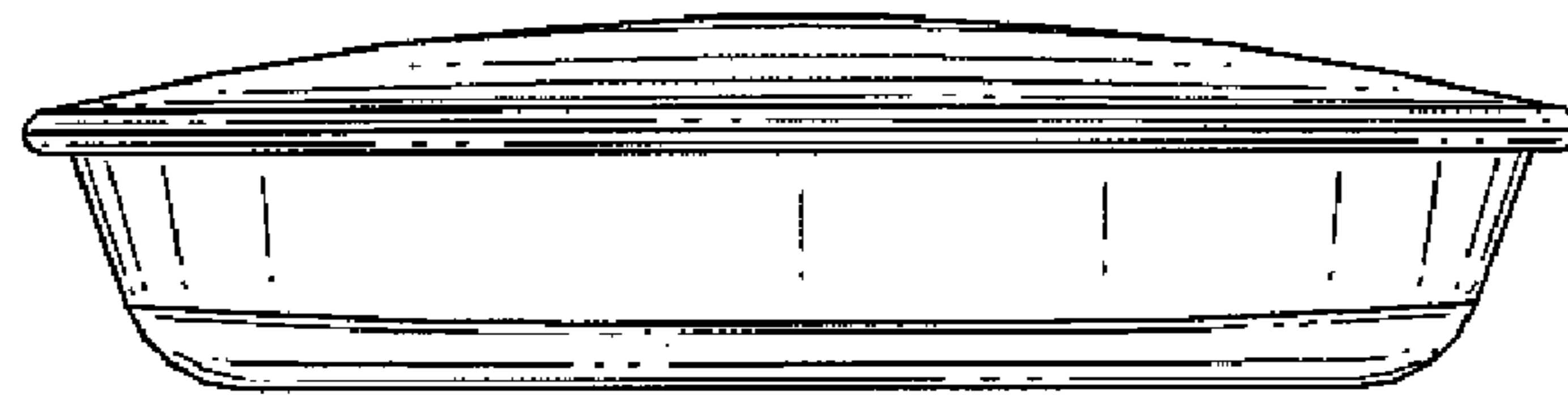


FIG. 11

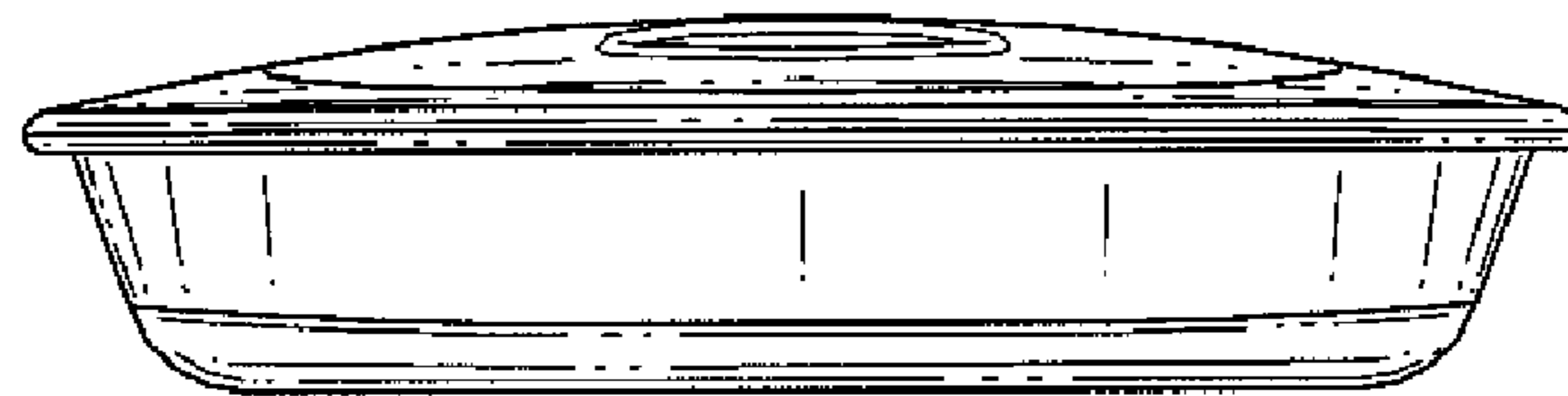


FIG. 12

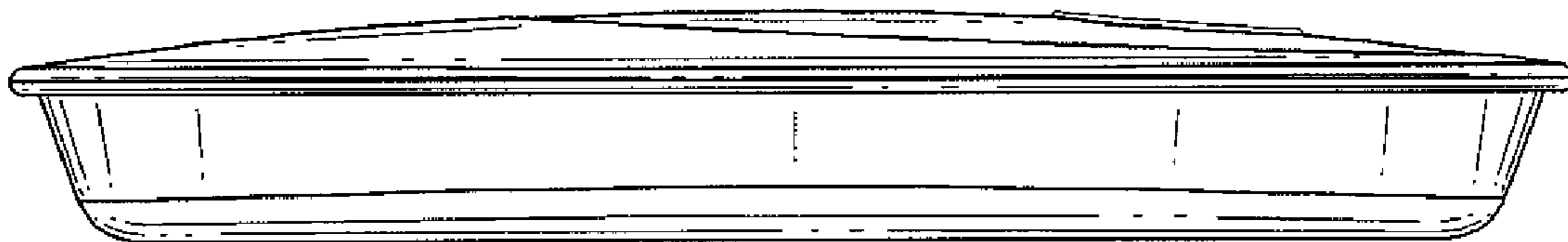


FIG. 13

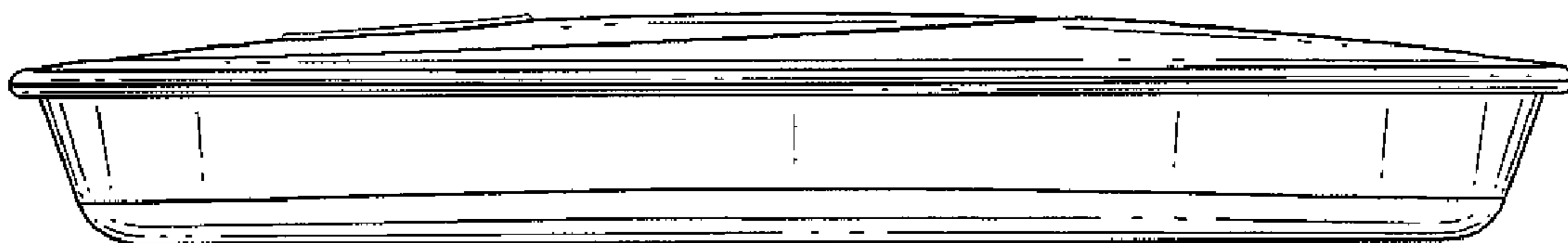


FIG. 14

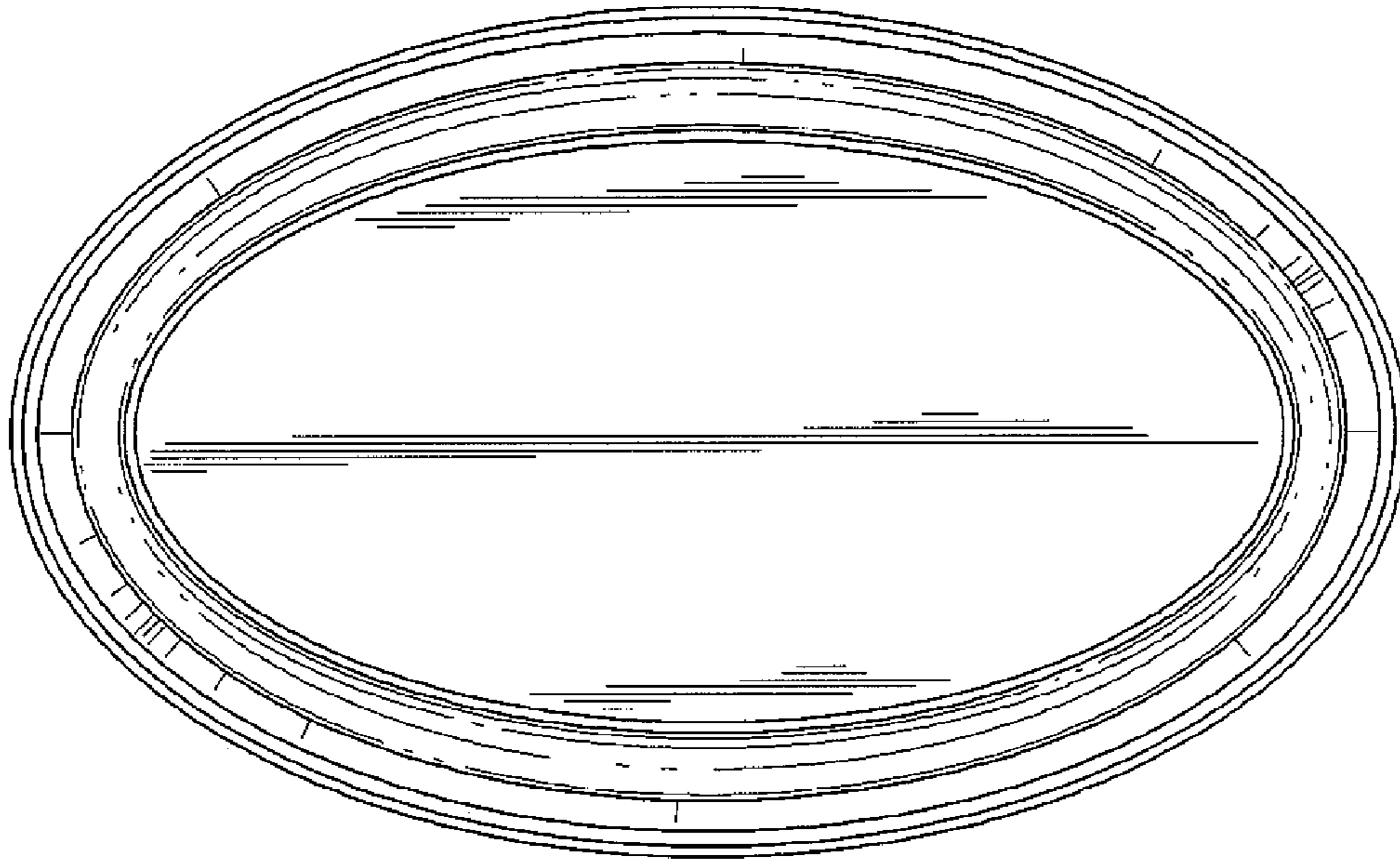


FIG. 16

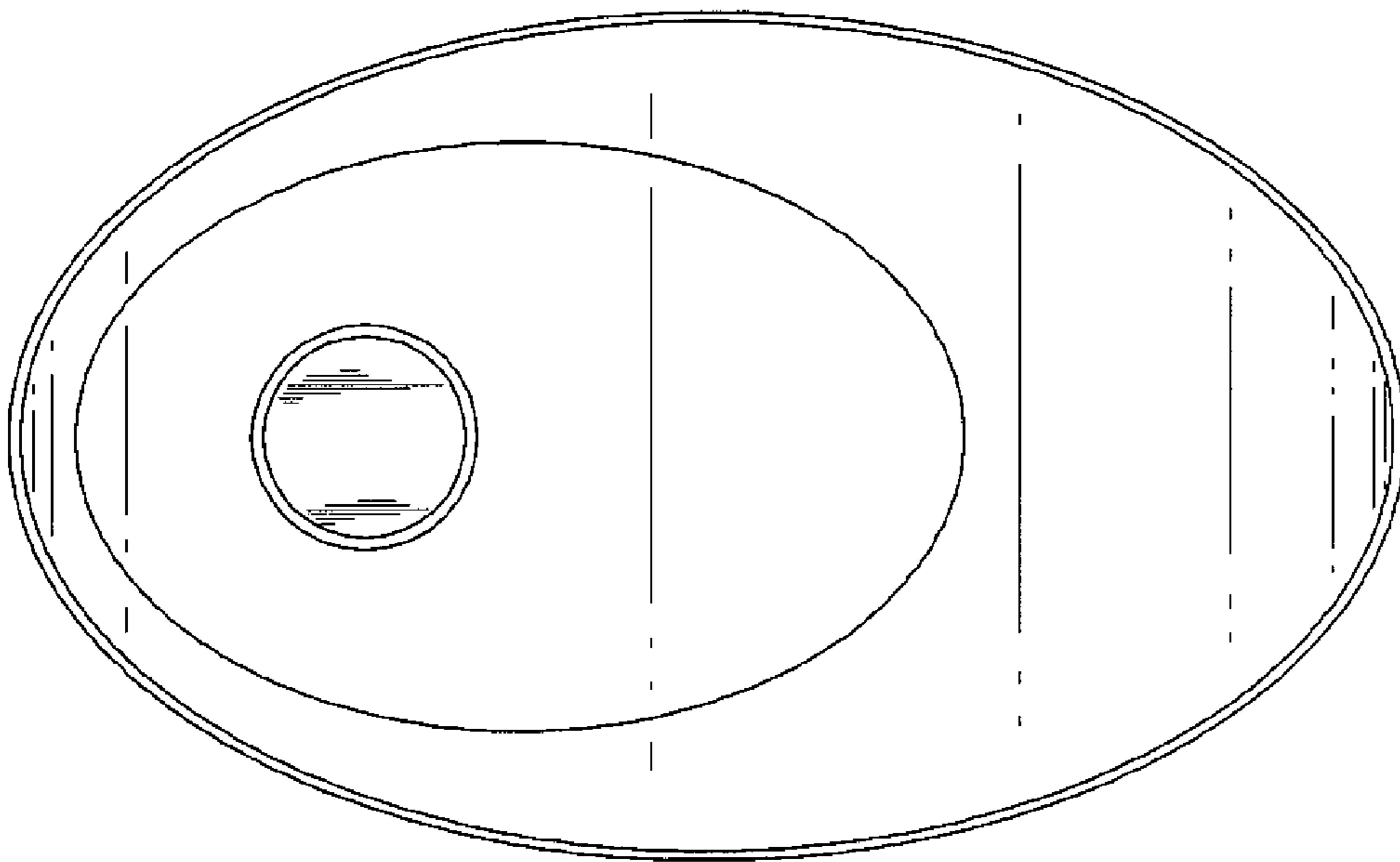


FIG. 15