



US00D605302S

(12) **United States Design Patent**  
**Tsang et al.**

(10) **Patent No.:** **US D605,302 S**

(45) **Date of Patent:** **\*\* Dec. 1, 2009**

(54) **DUAL FOOT MASSAGER**

(75) Inventors: **Ron Tsang**, Ajax (CA); **Mordechai Lev**,  
West Bloomfield, MI (US); **Roman S.**  
**Ferber**, West Bloomfield, MI (US)

(73) Assignee: **FKA Distributing Co.**, Commerce  
Township, MI (US)

(\*\*) Term: **14 Years**

(21) Appl. No.: **29/336,531**

(22) Filed: **May 5, 2009**

(51) **LOC (9) Cl.** ..... **24-02**

(52) **U.S. Cl.** ..... **D24/212**

(58) **Field of Classification Search** ..... D24/200,  
D24/211-215; 601/27, 30, 64, 61, 28, 29,  
601/22, 23, 31, 32

See application file for complete search history.

(56) **References Cited**

U.S. PATENT DOCUMENTS

D253,967 S *	1/1980	Miyadai	.....	D24/212
D351,027 S *	9/1994	Chen	.....	D24/213
D352,555 S *	11/1994	Hsieh	.....	D24/213
D478,997 S *	8/2003	Viner	.....	D24/212
D527,830 S *	9/2006	Chien	.....	D24/211
2006/0167388 A1 *	7/2006	Chen	.....	601/15

\* cited by examiner

*Primary Examiner*—Cathron C Brooks

*Assistant Examiner*—Melanie Levy

(74) *Attorney, Agent, or Firm*—Fraser Clemens Martin &  
Miller LLC; J. Douglas Miller

(57) **CLAIM**

The ornamental design for a dual foot massager, as shown and described.

**DESCRIPTION**

FIG. 1 is a top perspective view of a dual foot massager incorporating our new design;

FIG. 2 is a bottom perspective view thereof;

FIG. 3 is a front elevational view thereof;

FIG. 4 is a rear elevational view thereof;

FIG. 5 is a top plan view thereof;

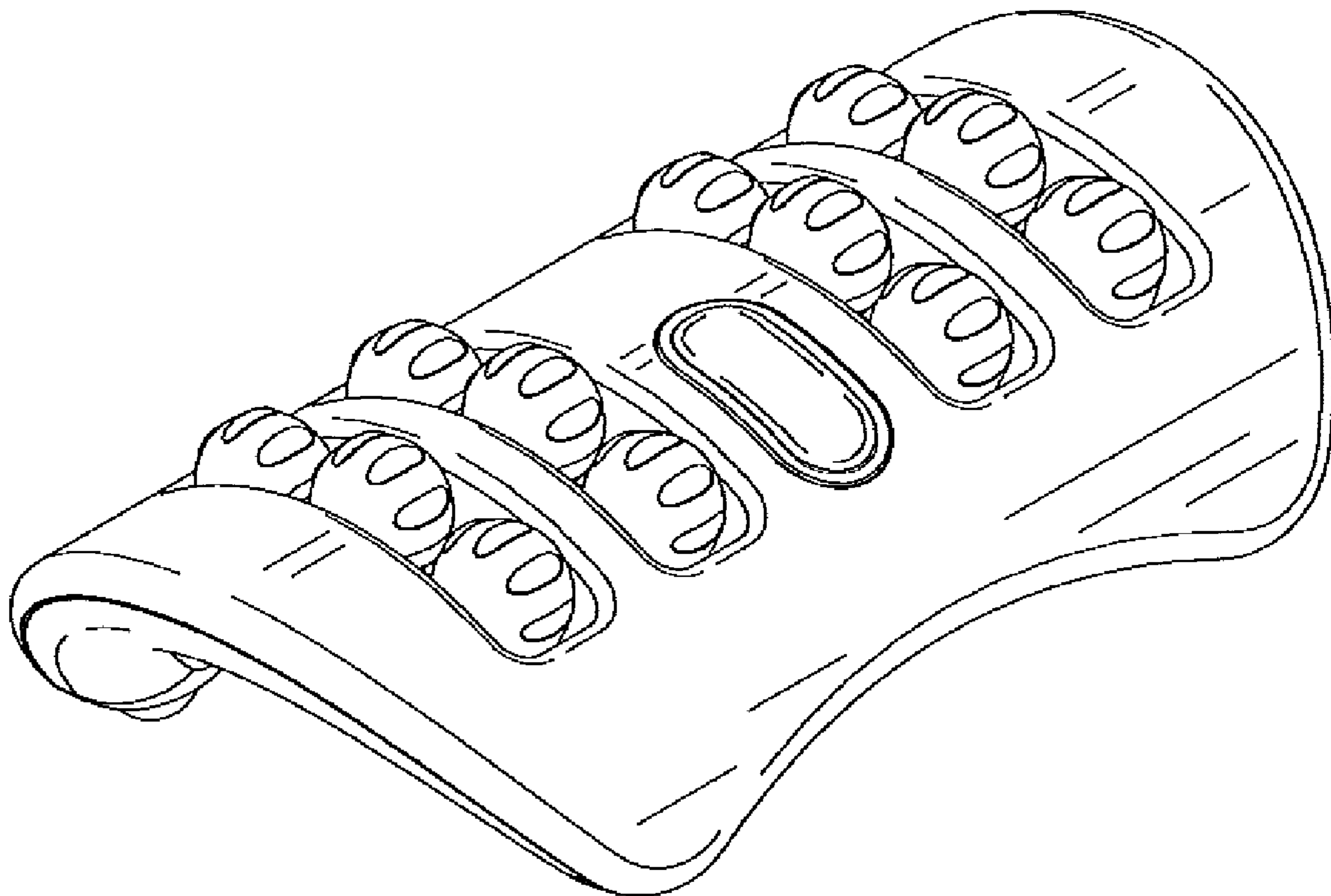
FIG. 6 is a bottom plan view thereof;

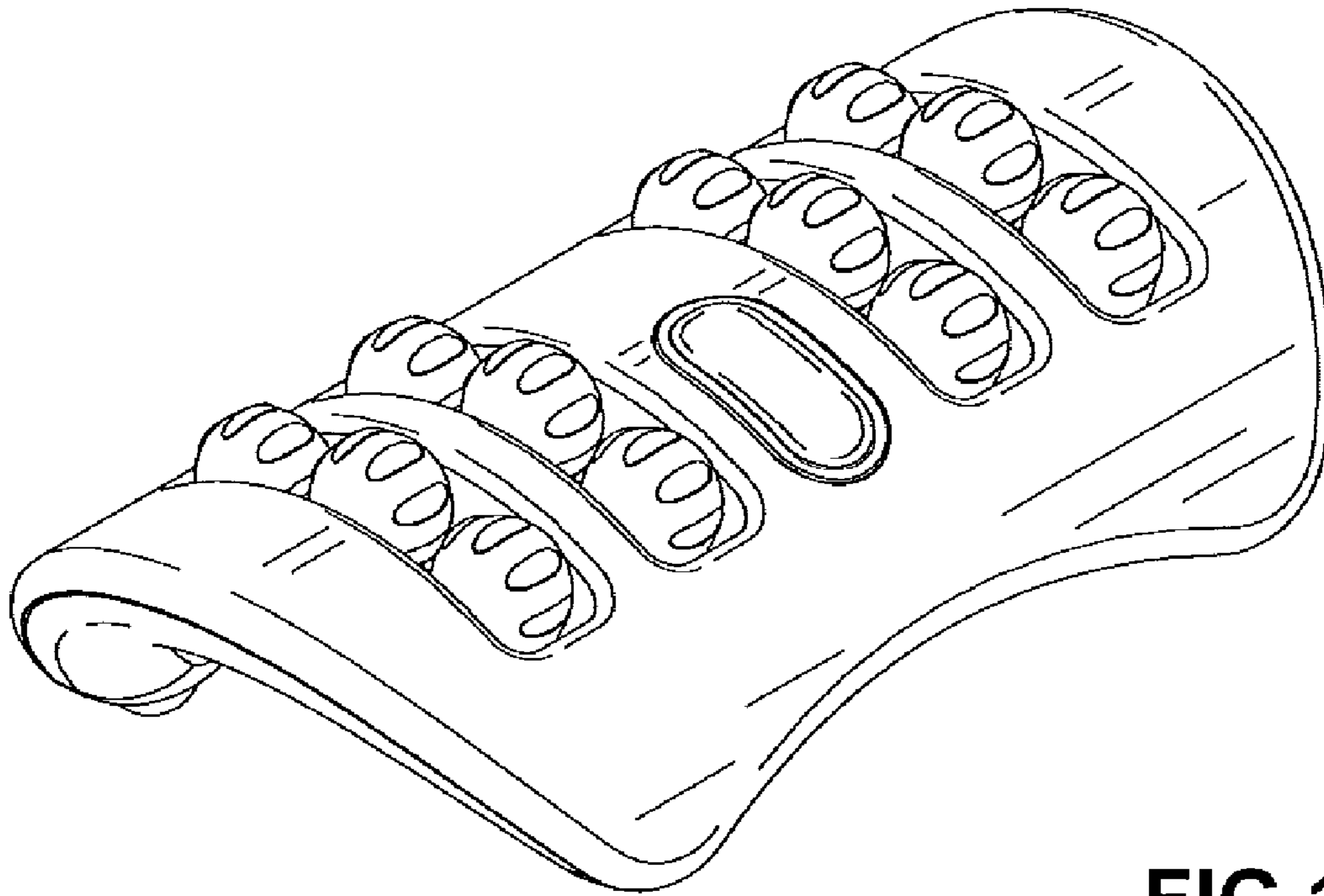
FIG. 7 is a right side elevational view thereof; and,

FIG. 8 is a left side elevational view thereof.

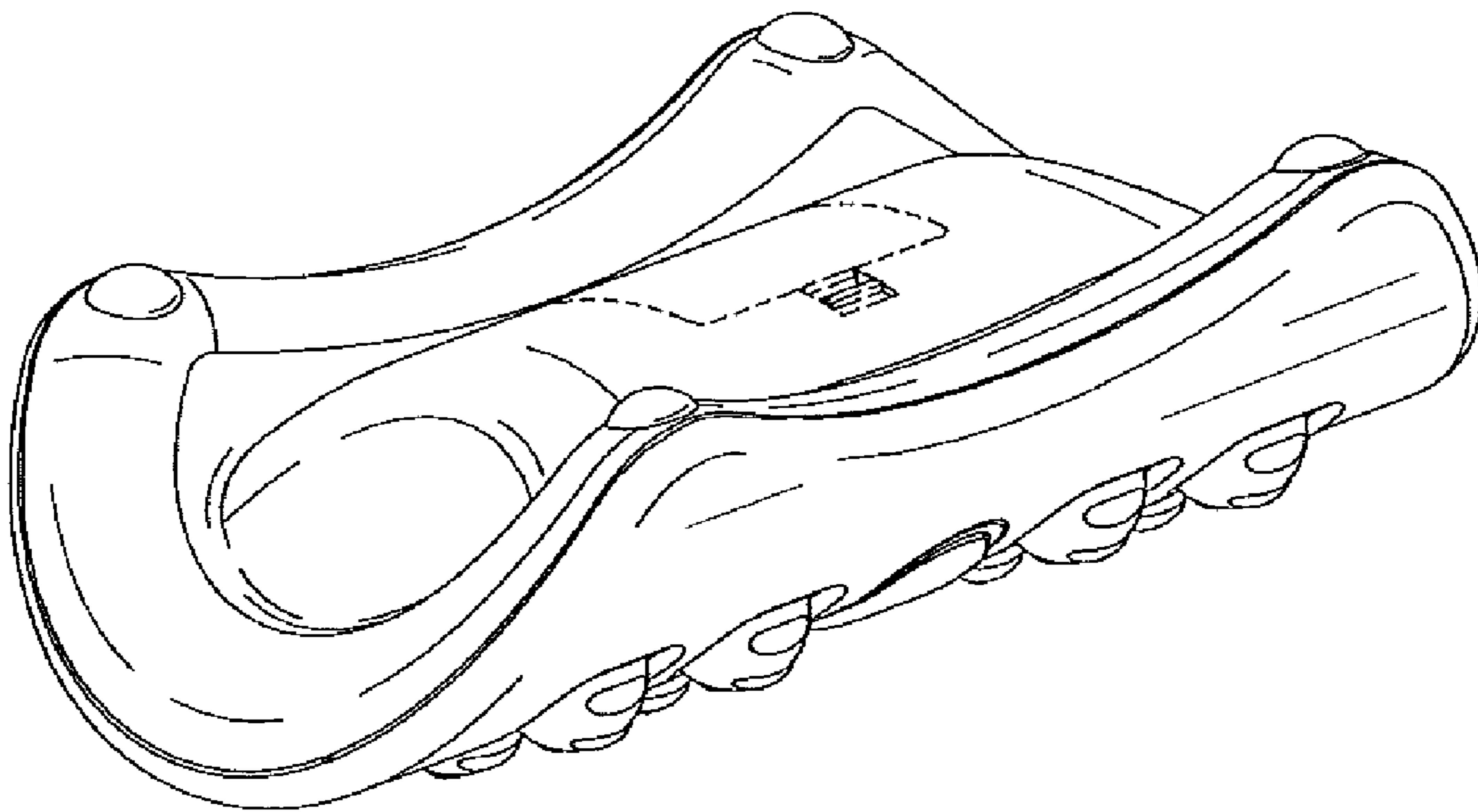
The ornamental design which is claimed is shown in solid lines in the drawings. Any broken lines in the drawings are for illustrative purposes only and form no part of the claimed design.

**1 Claim, 3 Drawing Sheets**

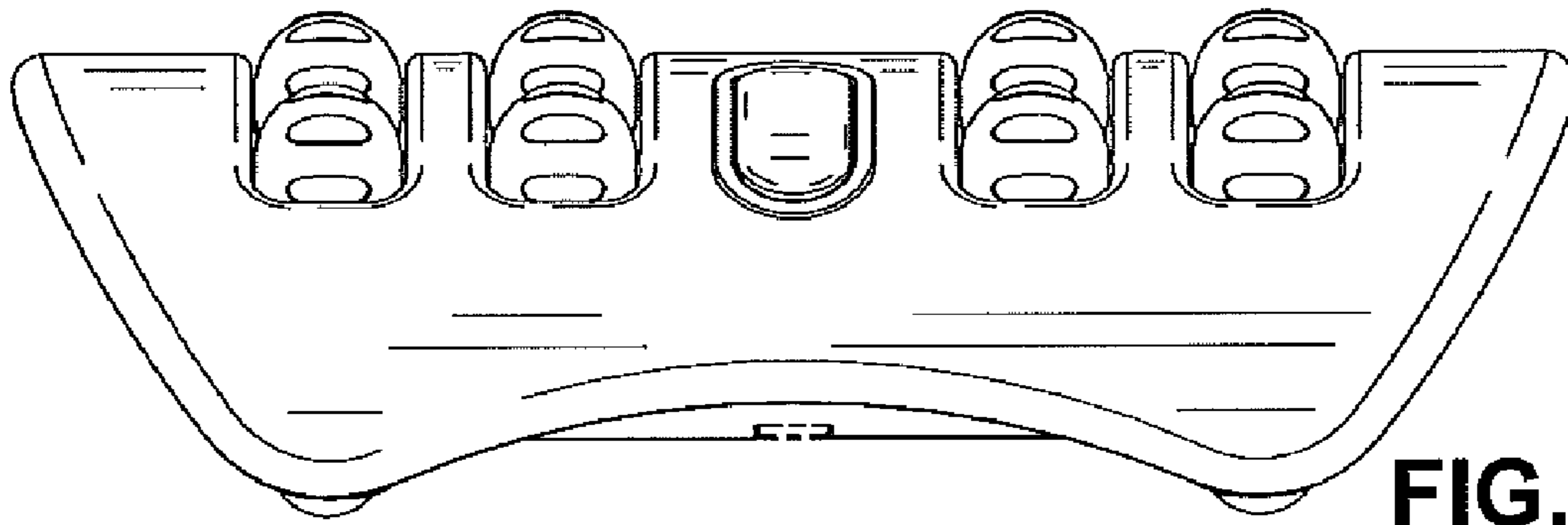




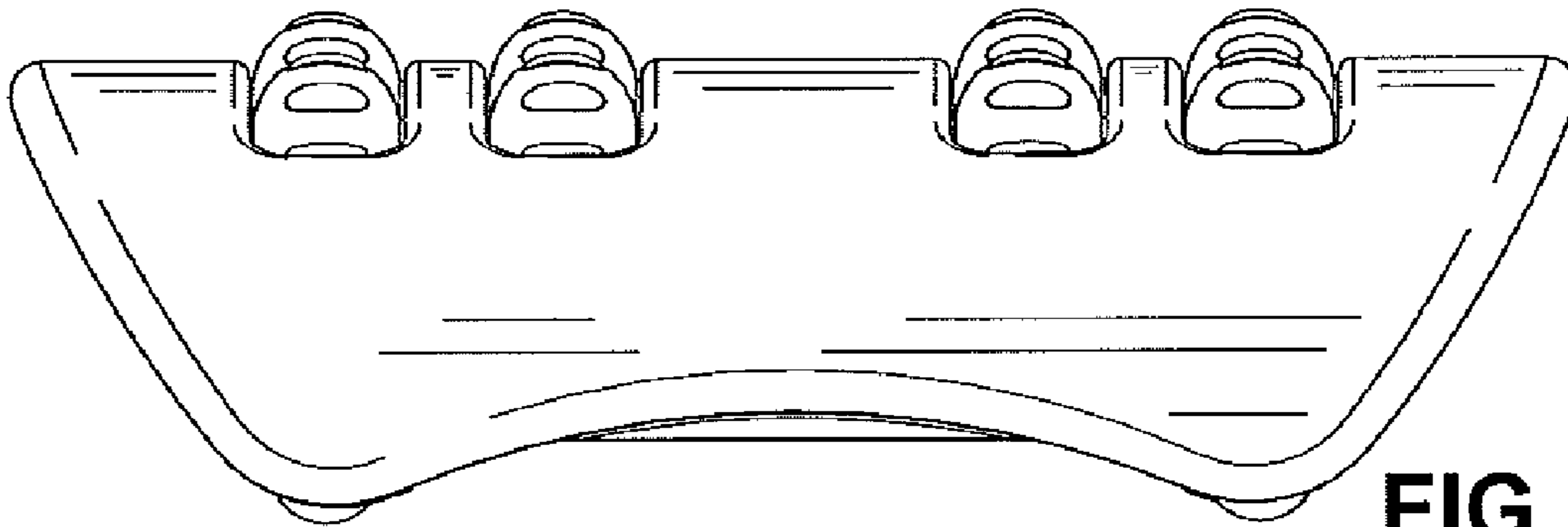
**FIG. 1**



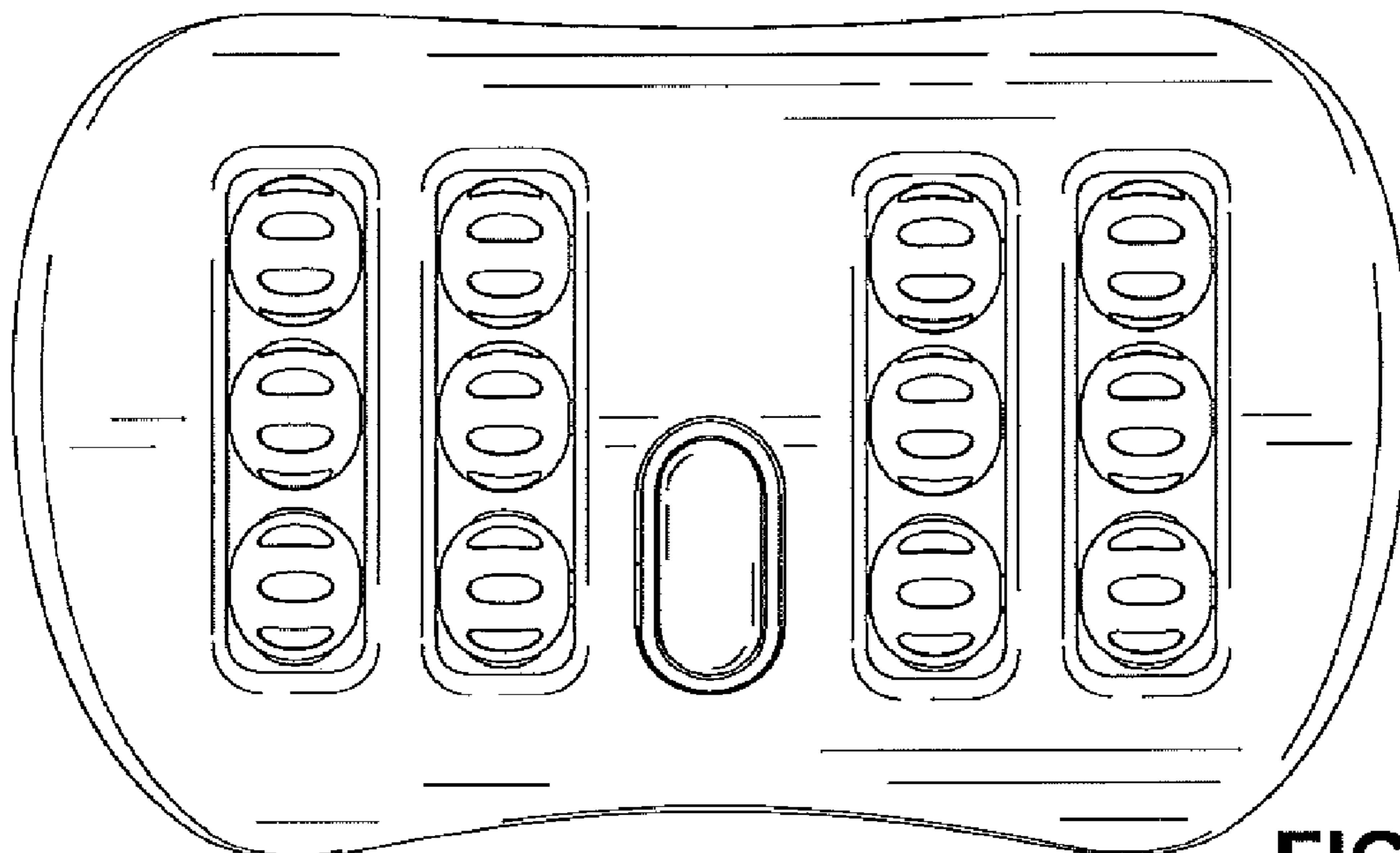
**FIG. 2**



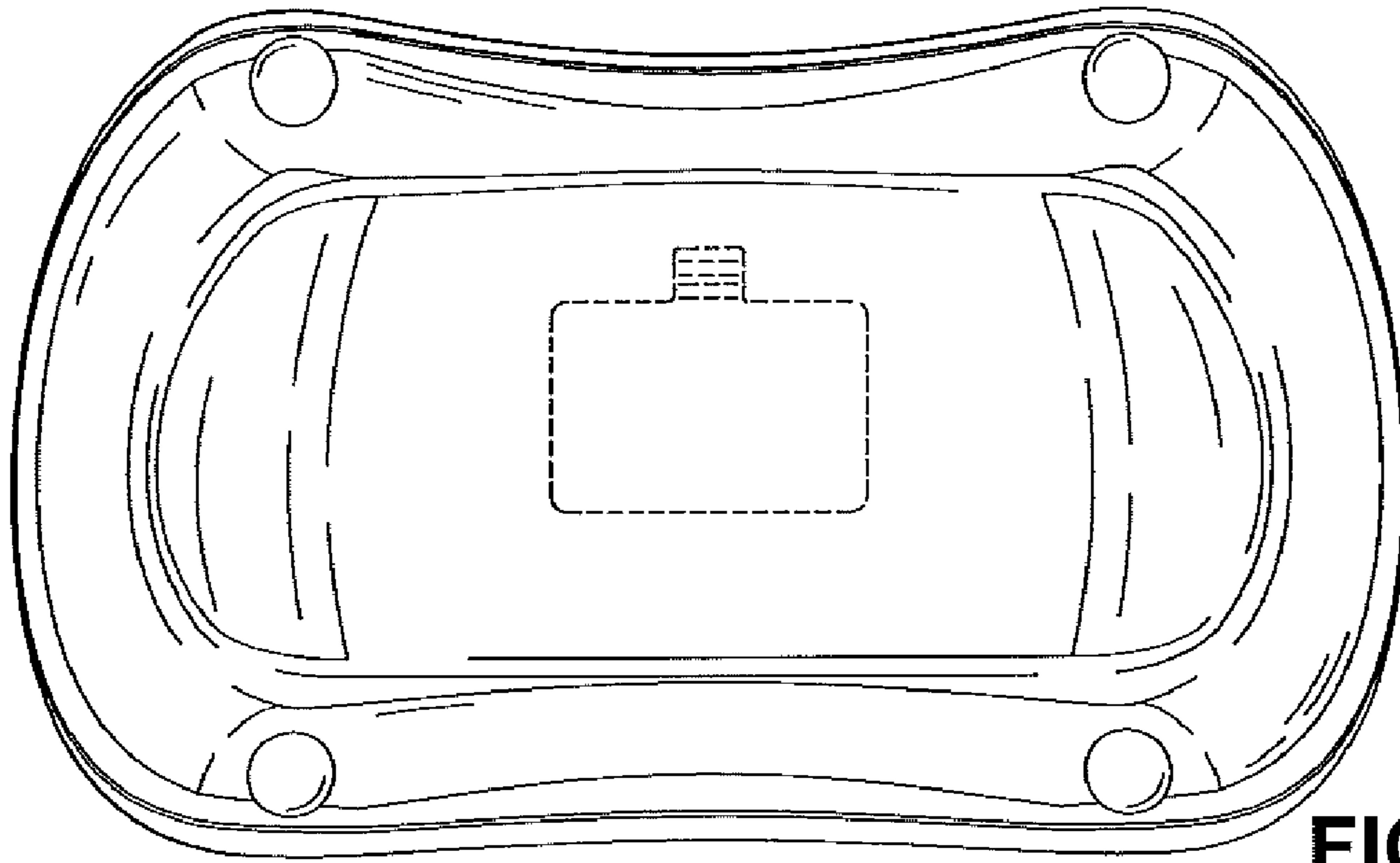
**FIG. 3**



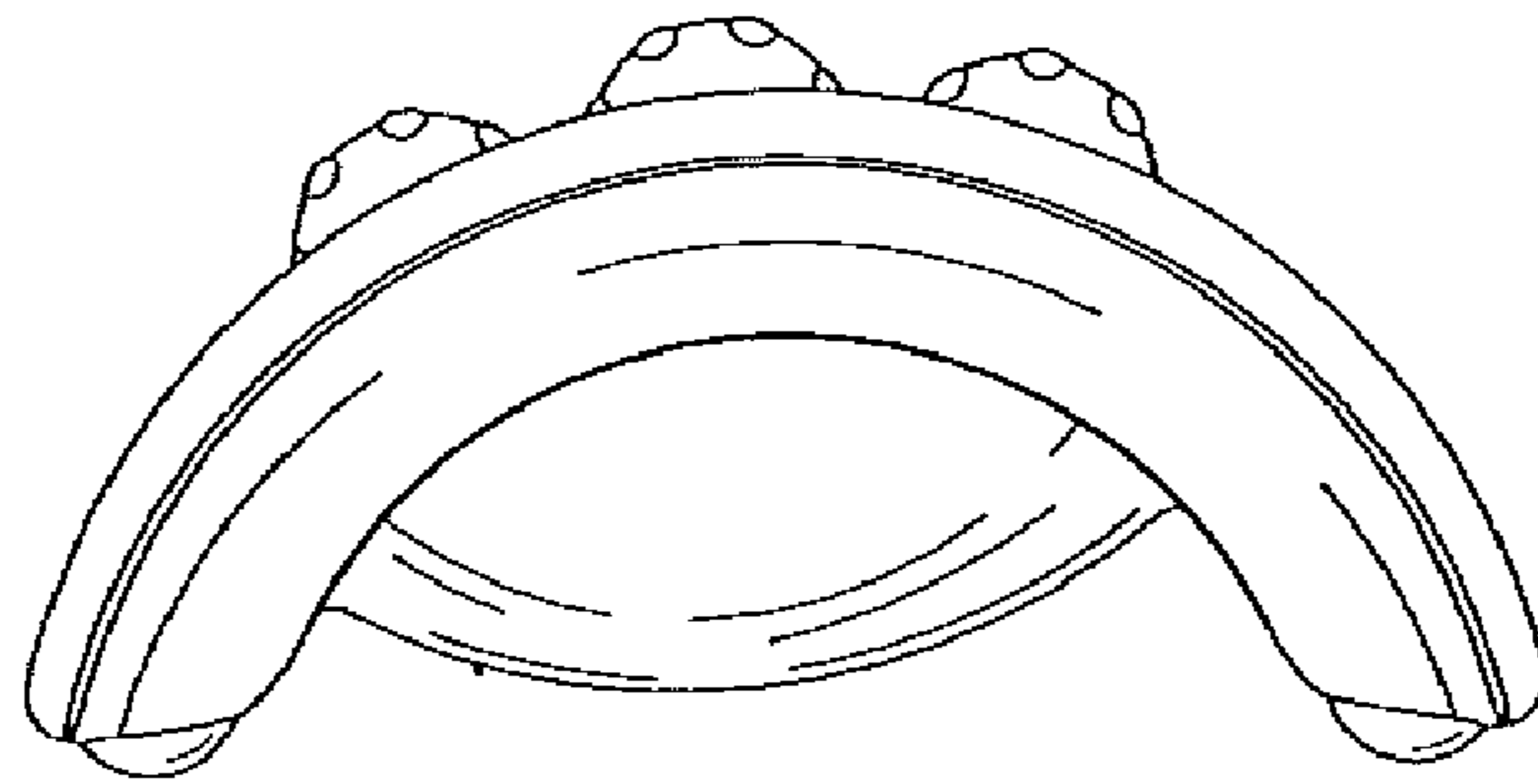
**FIG. 4**



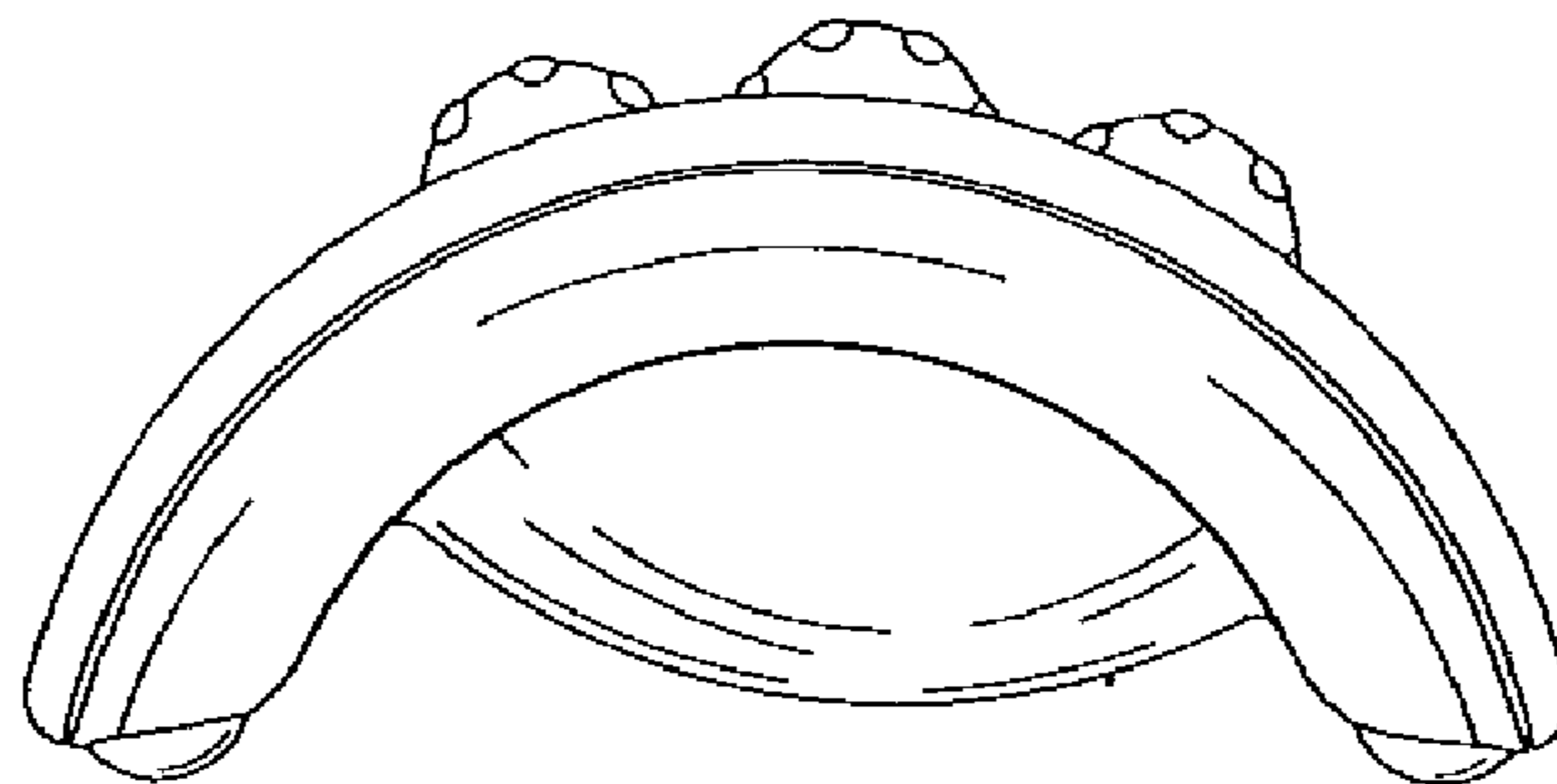
**FIG. 5**



**FIG. 6**



**FIG. 7**



**FIG. 8**