



US00D605301S

(12) **United States Design Patent**
Davis

(10) **Patent No.:** **US D605,301 S**

(45) **Date of Patent:** **** Dec. 1, 2009**

(54) **MESSAGING DEVICE**

(76) **Inventor:** **Aaron Davis**, 500 Pine St., Brooklyn,
NY (US) 11208

(**) **Term:** **14 Years**

(21) **Appl. No.:** **29/336,743**

(22) **Filed:** **May 8, 2009**

(51) **LOC (9) Cl.** **24-02**

(52) **U.S. Cl.** **D24/211**

(58) **Field of Classification Search** D24/200,
D24/211-215; 601/15, 18, 19-22, 28, 84,
601/85, 94, 111-114, 123, 131, 134-138,
601/118, 119, 125

See application file for complete search history.

(56) **References Cited**

U.S. PATENT DOCUMENTS

699,916 A	5/1902	Gerling	
D123,584 S	9/1940	Antis	
2,549,903 A	4/1951	Hilsher et al.	
D166,050 S	2/1952	Sandhoun	
2,633,844 A	4/1953	Herndon	
2,944,543 A	7/1960	Newcombe	
3,060,928 A	10/1962	Lowe	
D206,512 S	12/1966	Waldeck	
D269,376 S	6/1983	Nakao et al.	
4,622,956 A *	11/1986	Nesheim	601/119
D314,799 S *	2/1991	Takahashi et al.	D24/211

5,090,402 A *	2/1992	Bazin et al.	601/131
D347,477 S *	5/1994	Morales	D24/211
D422,364 S *	4/2000	Van Dyk et al.	D24/211
D426,641 S *	6/2000	Smith	D24/211
D548,849 S *	8/2007	Huang	D24/211
2003/0204153 A1 *	10/2003	Chen	601/119

* cited by examiner

Primary Examiner—Cathron C Brooks

Assistant Examiner—Melanie Levy

(74) *Attorney, Agent, or Firm*—Kyle Fletcher

(57) **CLAIM**

The ornamental design for the massaging device, as shown and described.

DESCRIPTION

FIG. 1 is a front view of the massaging device.

FIG. 2 is a rear view of the claimed design.

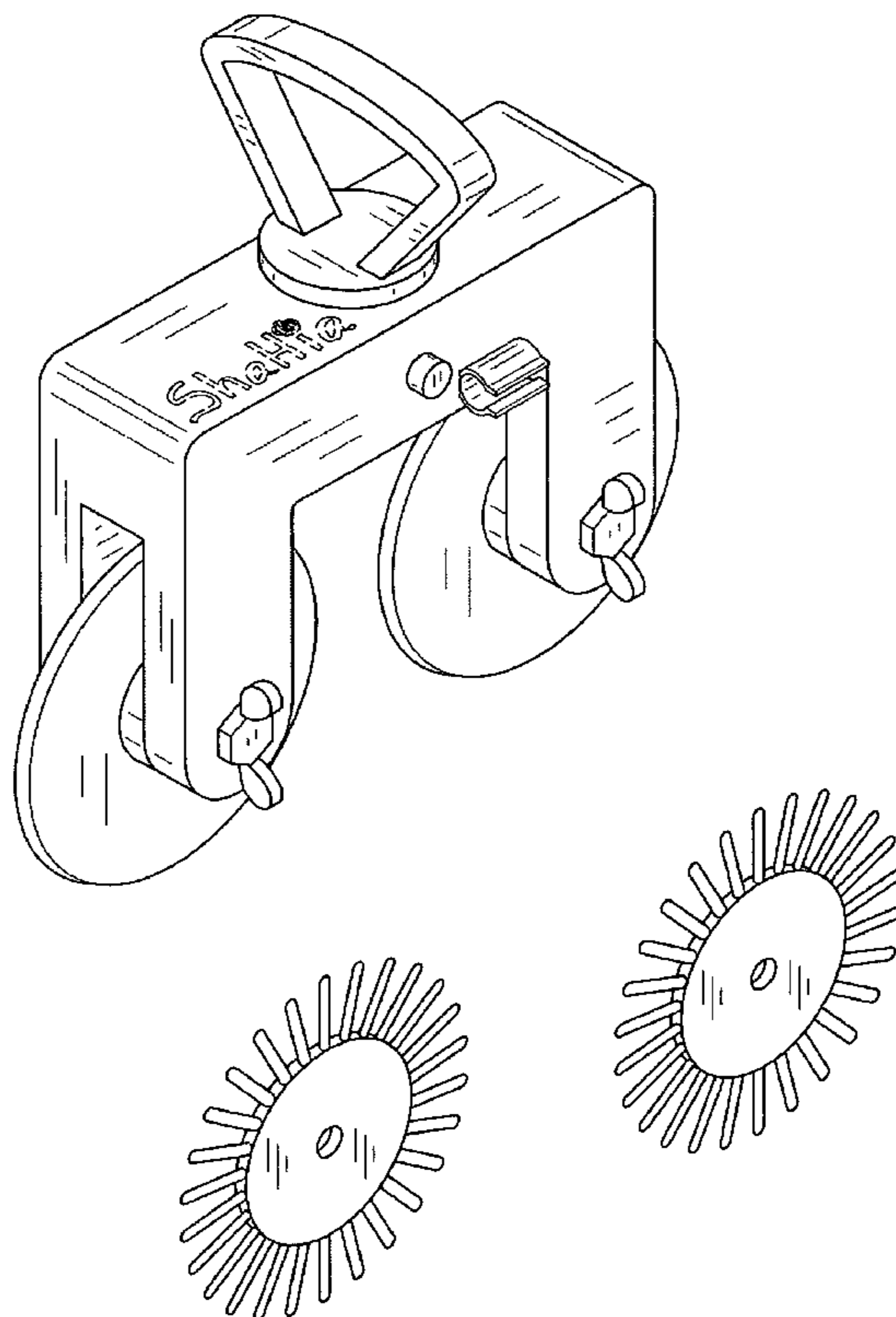
FIG. 3 is a left side view of the claimed design.

FIG. 4 is a top view of the claimed design with the logo “ShaHia” in hidden lines, which is environmental matter and does not form a part of the claimed design.

FIG. 5 is a bottom view of the claimed design; and,

FIG. 6 is an isometric view of the claimed design with the logo “ShaHia” in hidden lines, which is environmental matter and does not form a part of the claimed design.

1 Claim, 5 Drawing Sheets



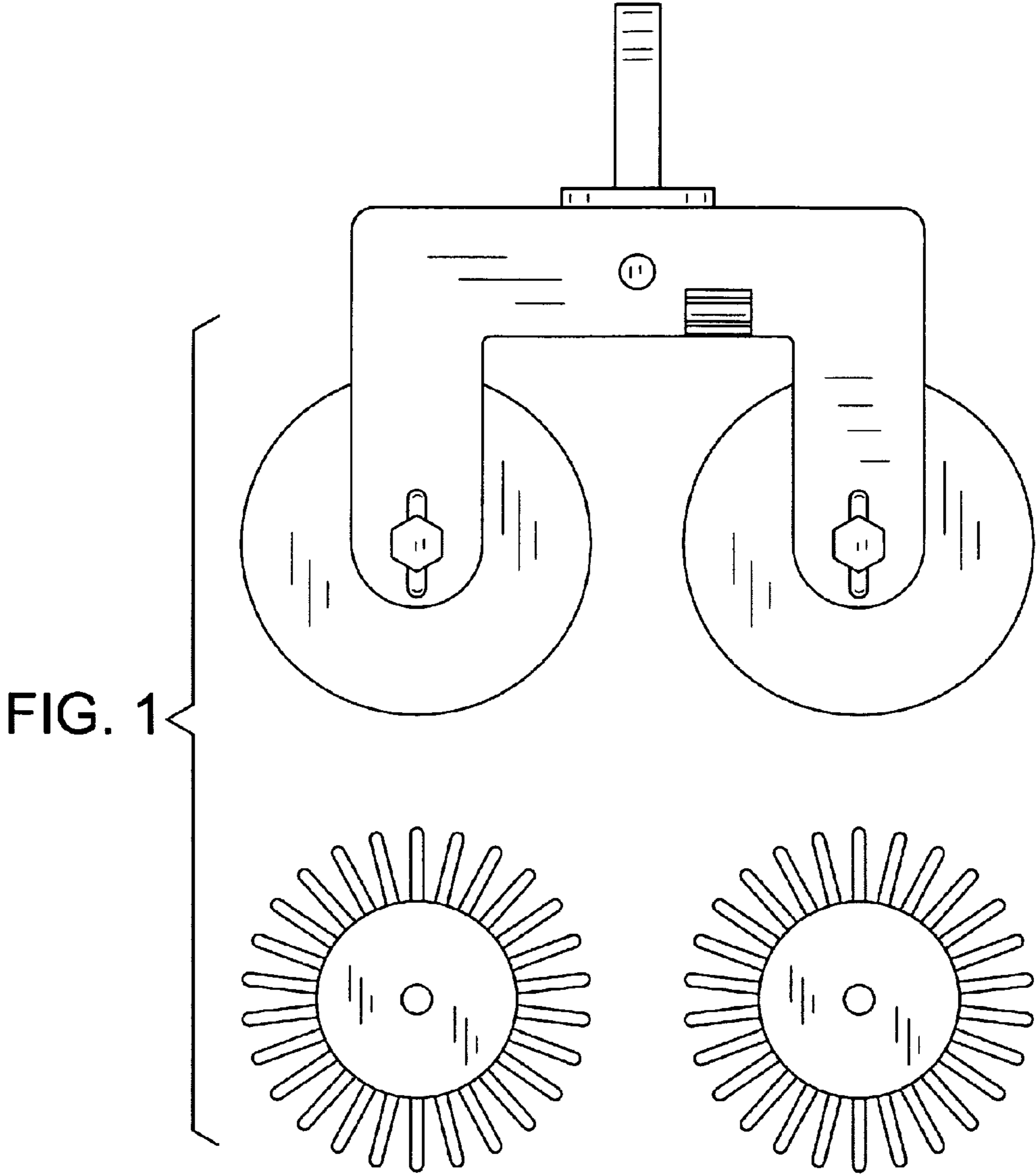
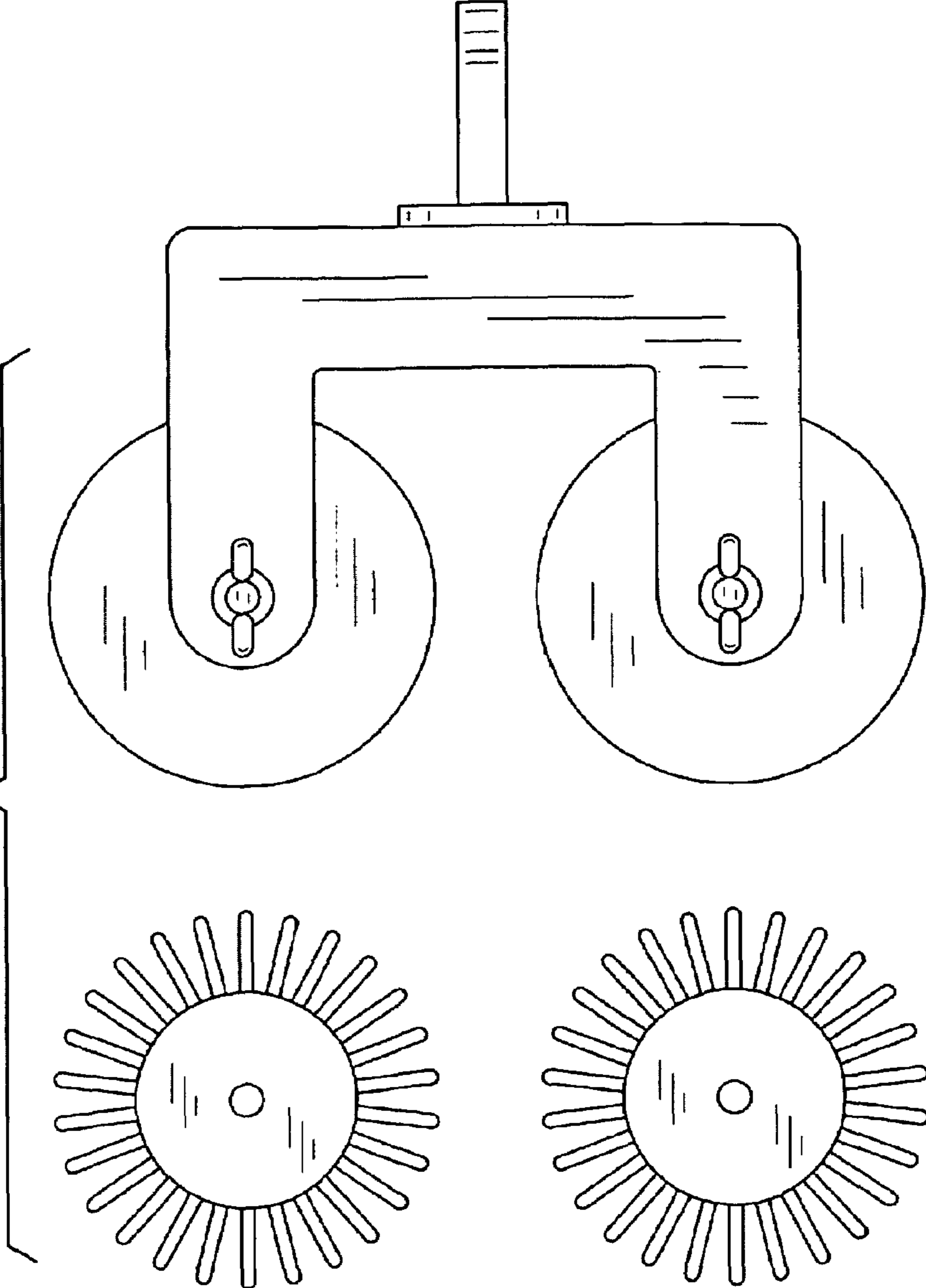


FIG. 2



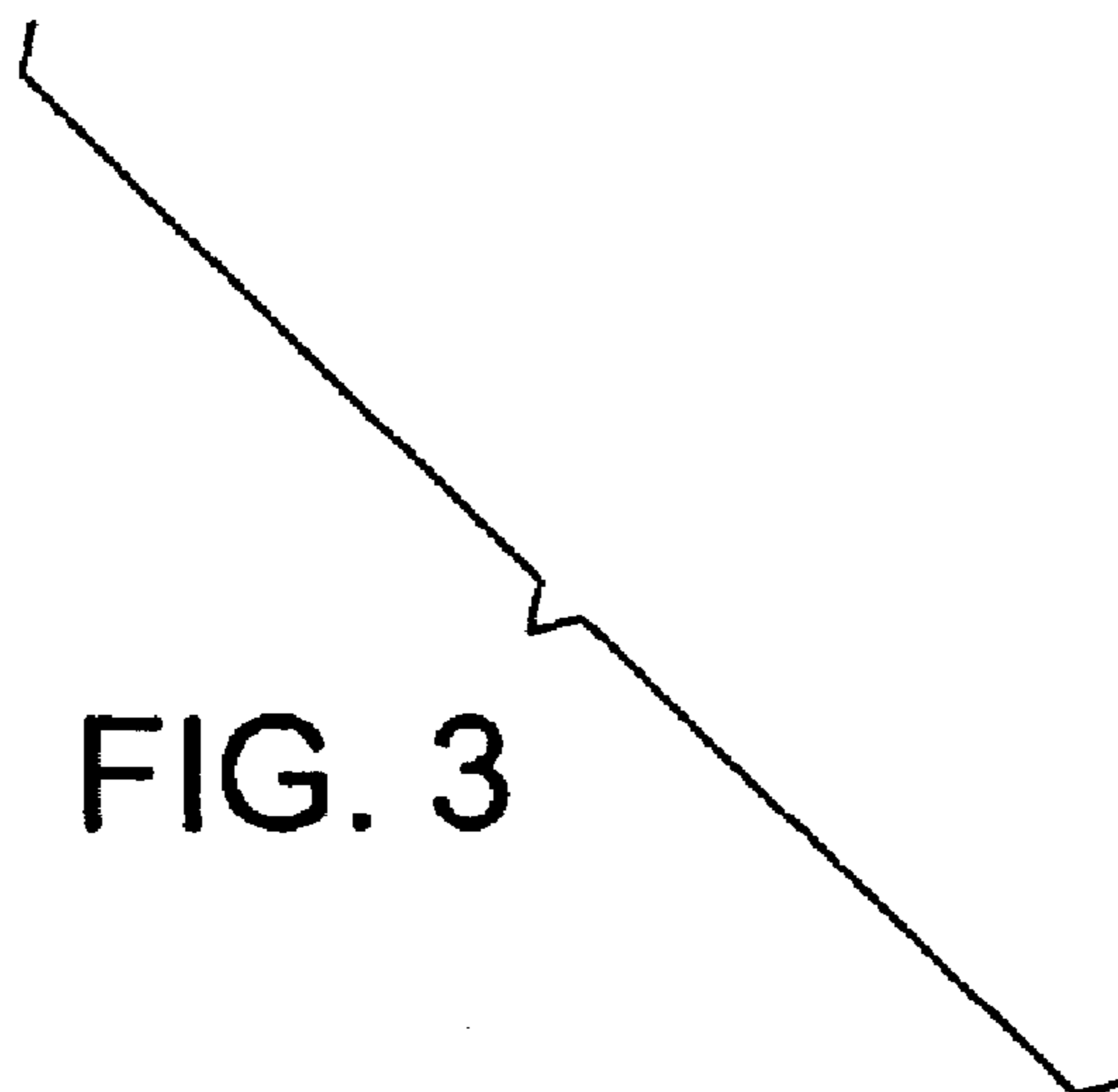
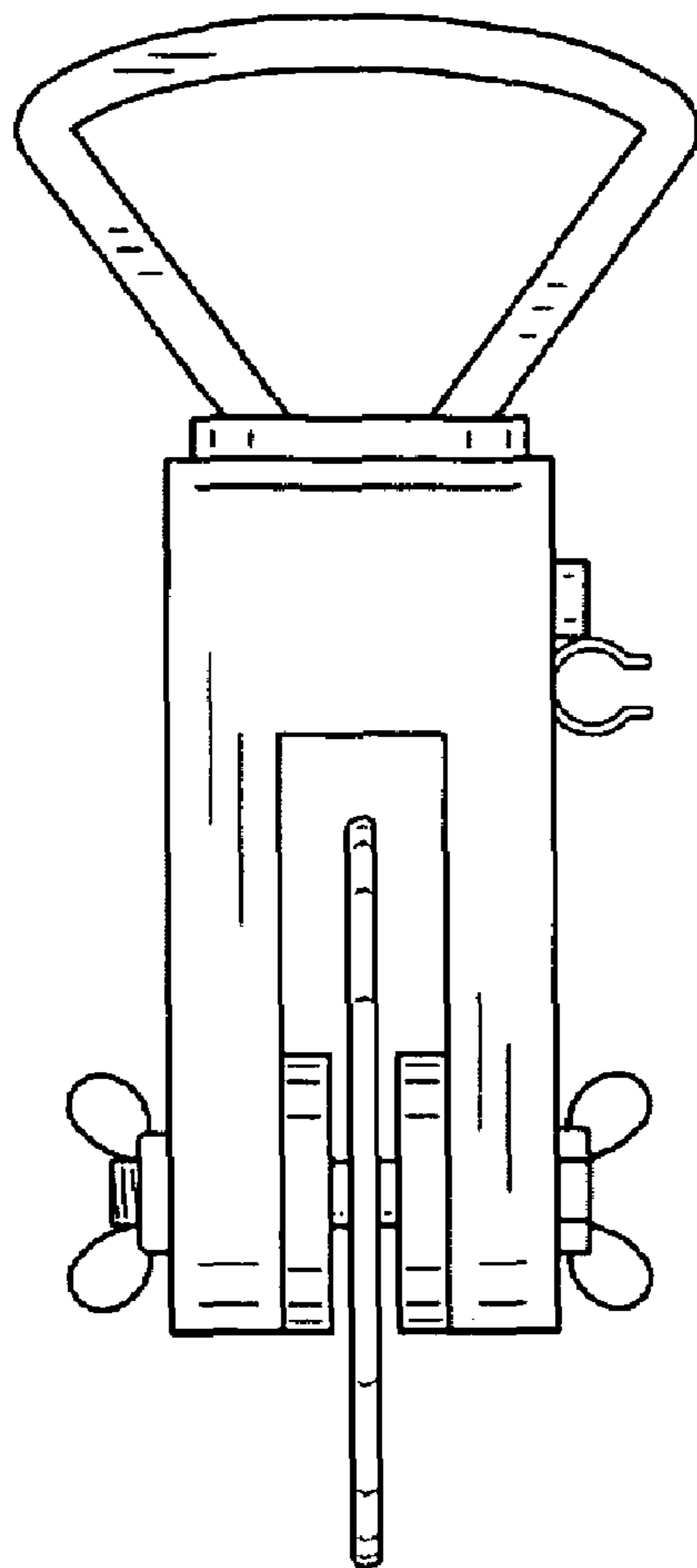
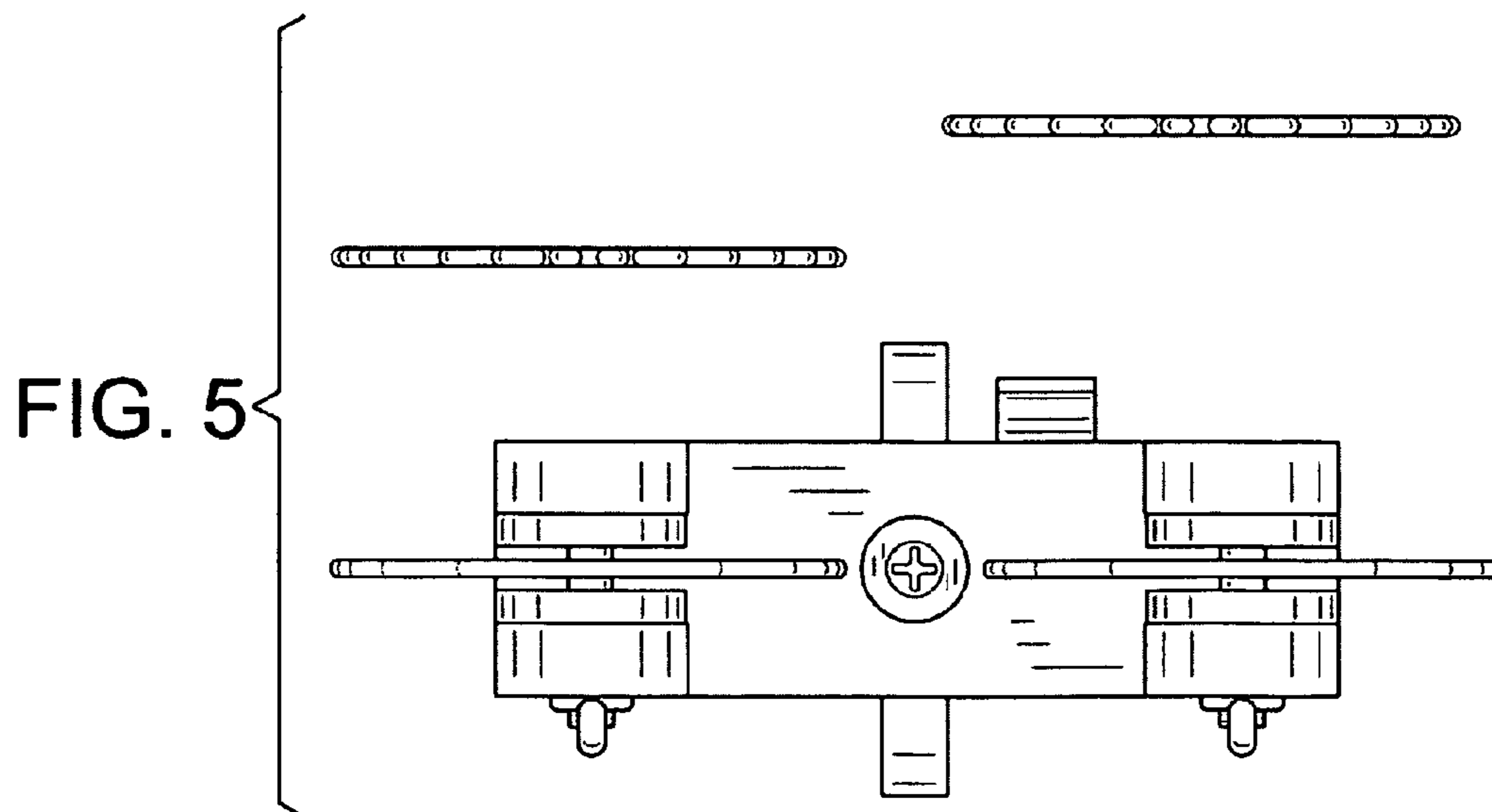
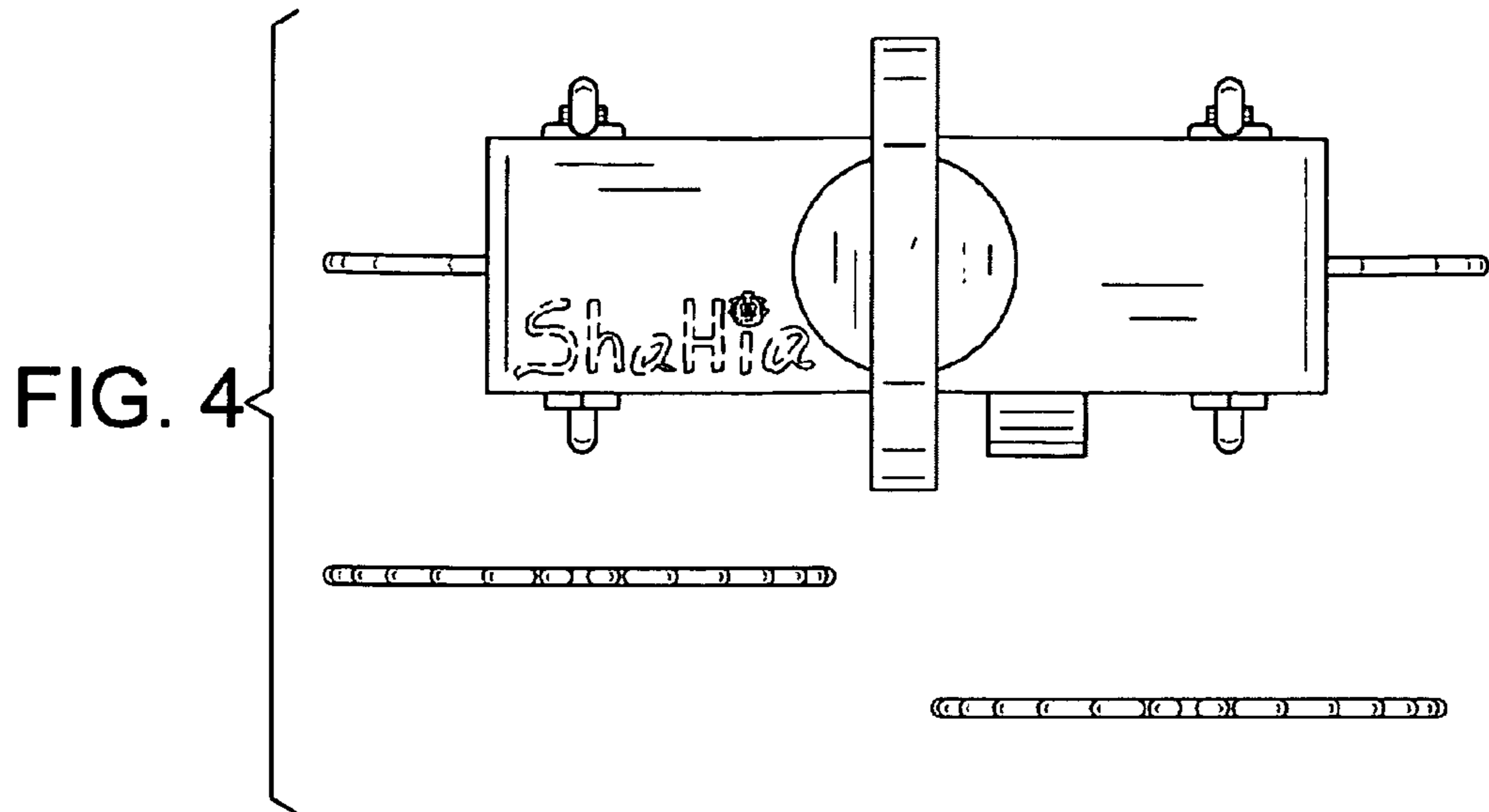


FIG. 3



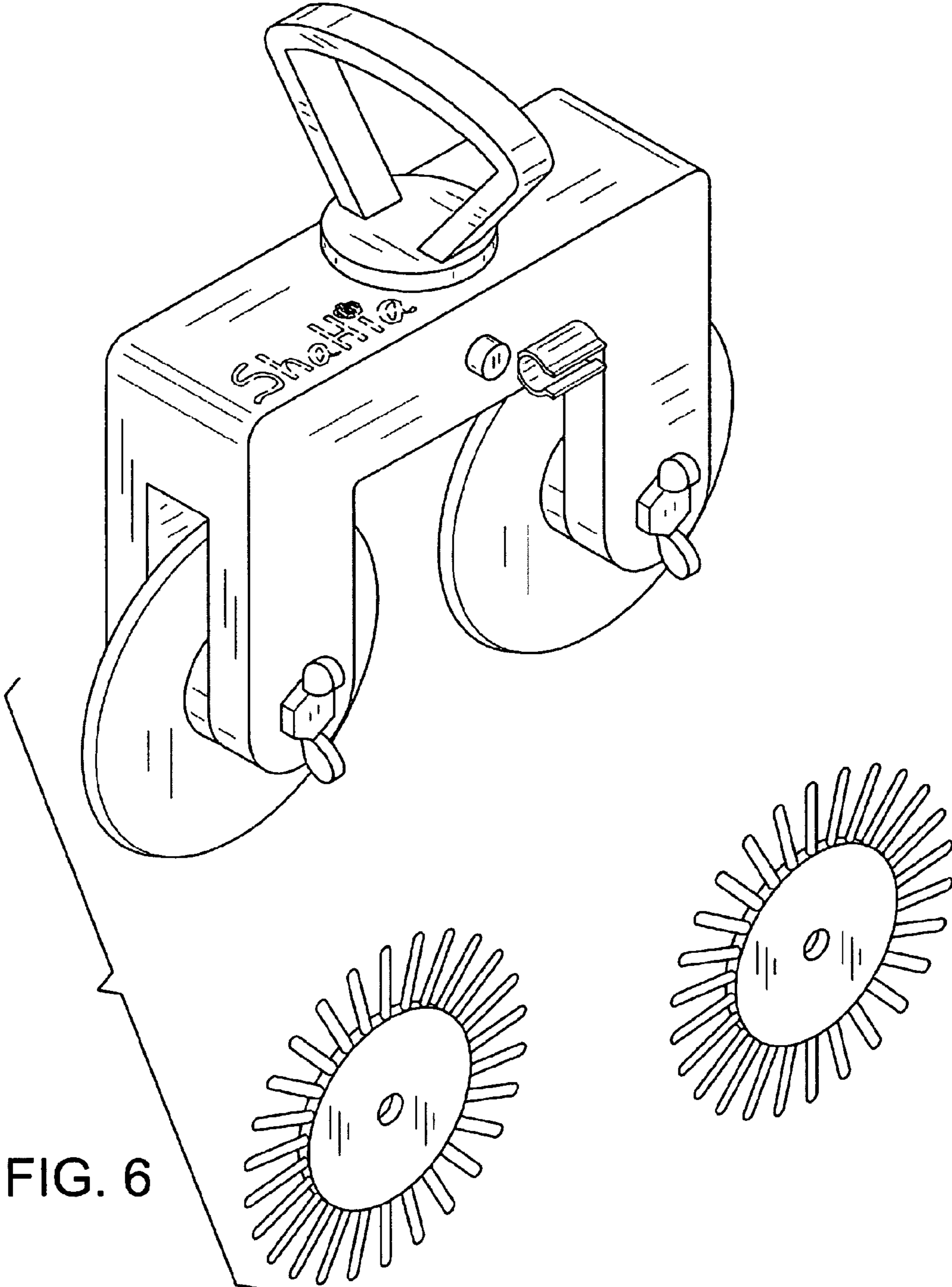


FIG. 6

UNITED STATES PATENT AND TRADEMARK OFFICE
CERTIFICATE OF CORRECTION

PATENT NO. : Des. 605,301 S
APPLICATION NO. : 29/336743
DATED : December 1, 2009
INVENTOR(S) : Aaron Davis

Page 1 of 1

It is certified that error appears in the above-identified patent and that said Letters Patent is hereby corrected as shown below:

Title Page, the title of invention "MESSAGING DEVICE" should read --**MASSAGING DEVICE**--.

Signed and Sealed this

Sixth Day of April, 2010

A handwritten signature in black ink that reads "David J. Kappos". The signature is written in a cursive, flowing style.

David J. Kappos
Director of the United States Patent and Trademark Office