

US00D605300S

(12) **United States Design Patent**
Mazzarolo et al.

(10) **Patent No.:** **US D605,300 S**
(45) **Date of Patent:** **** Dec. 1, 2009**

(54) **NECK BRACE**

(75) Inventors: **Giovanni Mazzarolo**, Coste di Maser (IT); **Colin Ballantyne**, Caselle d'Asolo (IT)

(73) Assignee: **Alpinestars Research SRL**, Coste di Maser (Treviso) (IT)

(**) Term: **14 Years**

(21) Appl. No.: **29/318,627**

(22) Filed: **May 23, 2008**

(30) **Foreign Application Priority Data**

Mar. 6, 2008 (IT) TV2008O0006

(51) **LOC (9) Cl.** **24-01**

(52) **U.S. Cl.** **D24/191**

(58) **Field of Classification Search** D24/188-192;
602/4-5, 17-18, 20-21, 62; 128/77, 94,
128/97.1, 869, 874, 878-880, DIG. 15, DIG. 23;
411/339

See application file for complete search history.

(56) **References Cited**

U.S. PATENT DOCUMENTS

D198,069 S * 4/1964 Connally D24/191
D542,919 S * 5/2007 Leatt D24/191
D552,742 S * 10/2007 Leatt D24/191

2004/0176713 A1* 9/2004 Garth et al. 602/18
2005/0101896 A1* 5/2005 Calabrese 602/18
2007/0010771 A1* 1/2007 Leatt 602/18
2007/0156072 A1* 7/2007 Leatt 602/18
2008/0177209 A1* 7/2008 Leatt et al. 602/18

* cited by examiner

Primary Examiner—Philip S Hyder

Assistant Examiner—Susan E Krakower

(74) *Attorney, Agent, or Firm*—Katten Muchin Rosenman LLP

(57) **CLAIM**

The ornamental design for a neck brace, as shown and described.

DESCRIPTION

FIG. 1 is a perspective view of the neck brace;

FIG. 2 is a left-side view thereof;

FIG. 3 is a right-side view thereof;

FIG. 4 is a front view thereof;

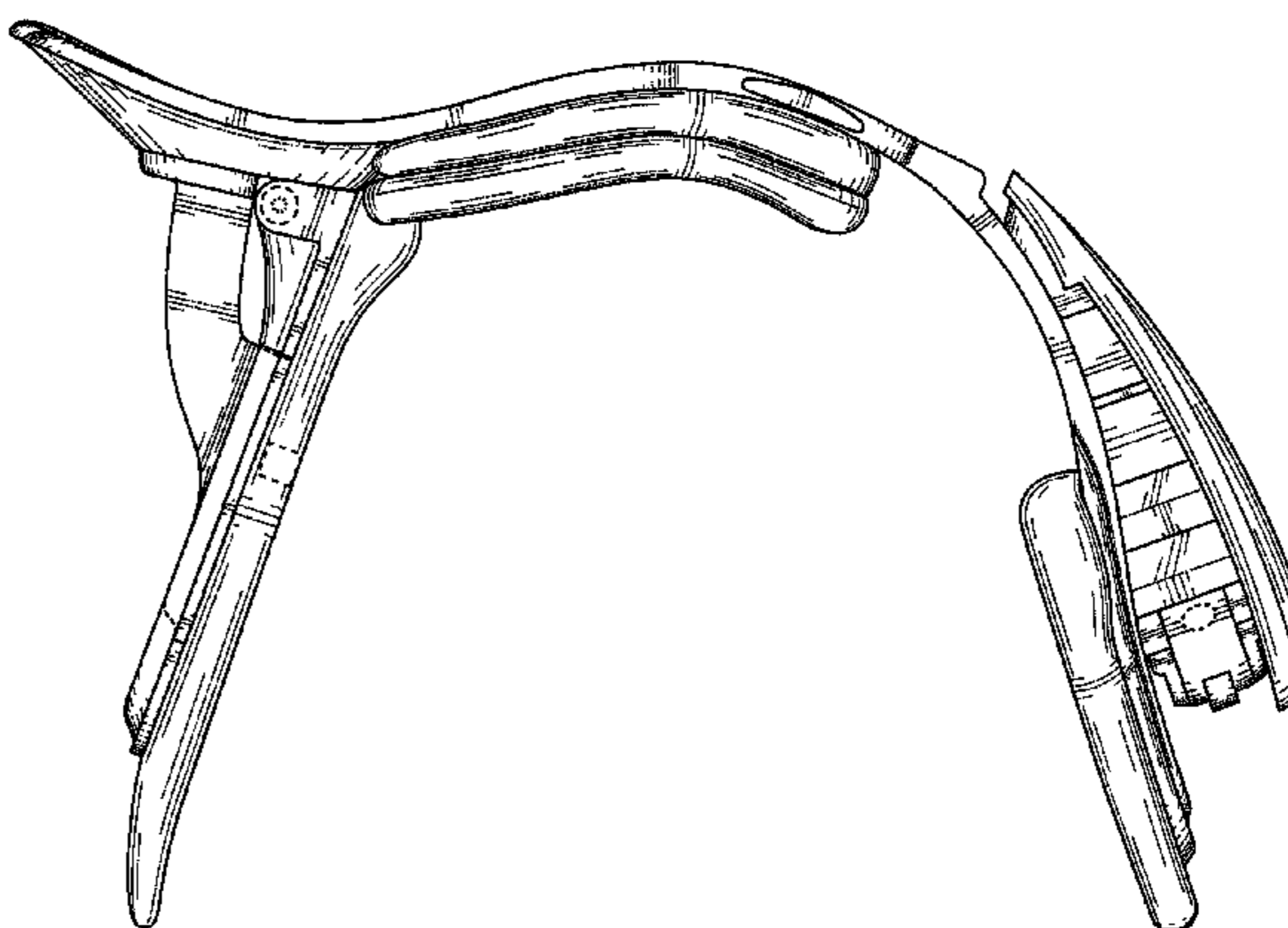
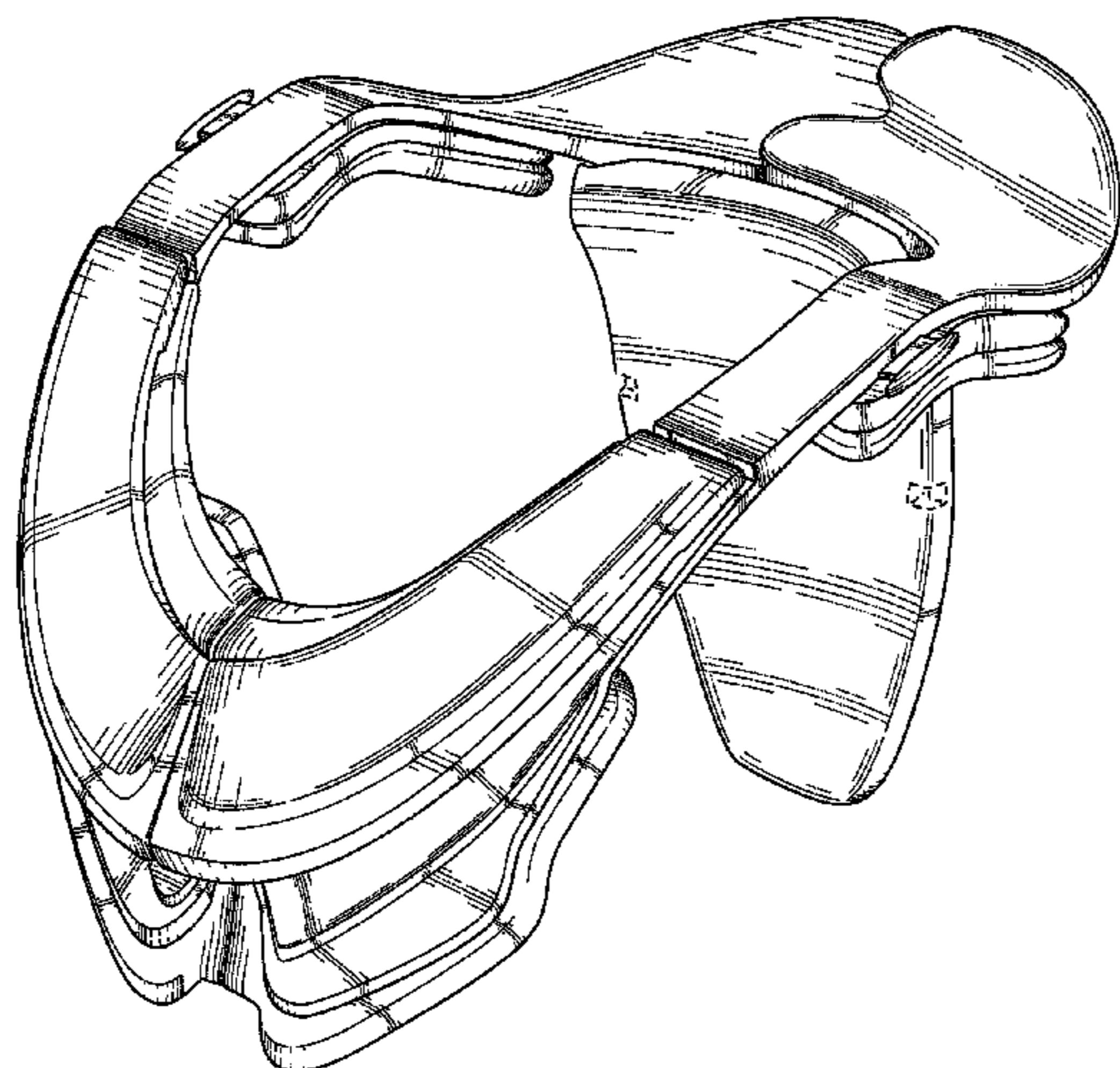
FIG. 5 is a rear view thereof;

FIG. 6 is a top view thereof; and,

FIG. 7 is a bottom view thereof.

The broken lines illustrate portions of the neck brace and form no part of the claimed design.

1 Claim, 7 Drawing Sheets



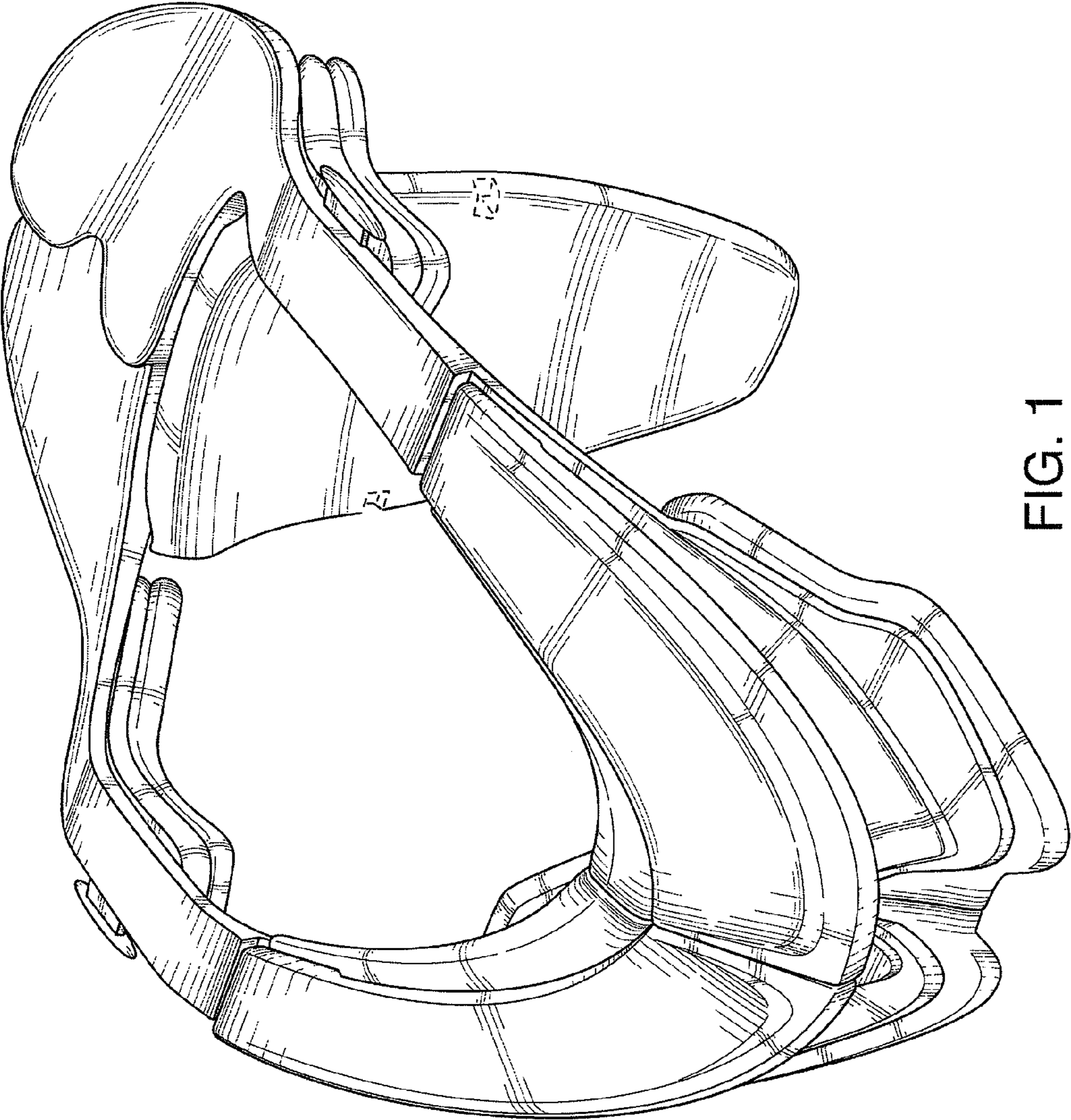


FIG. 1

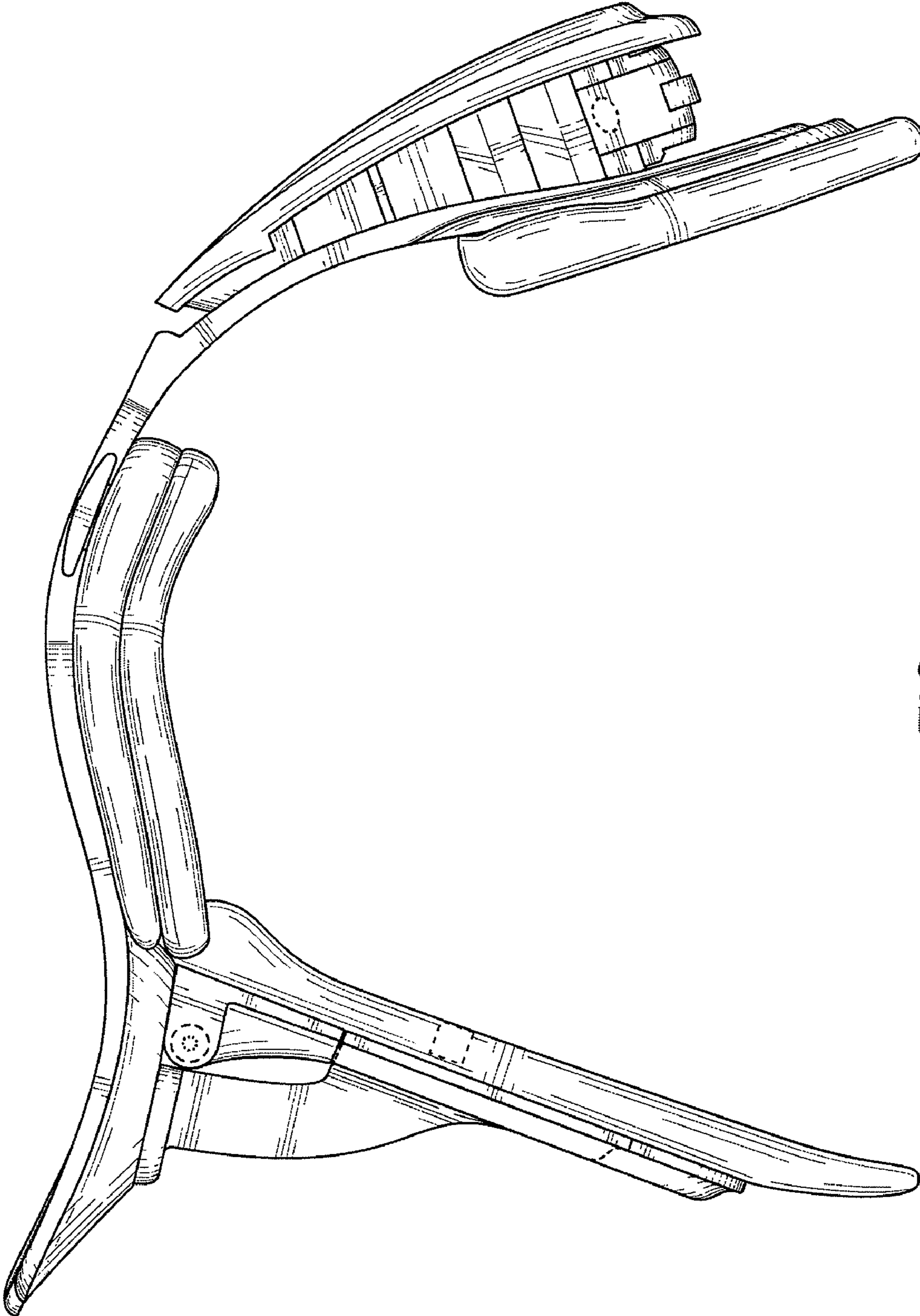


FIG. 2

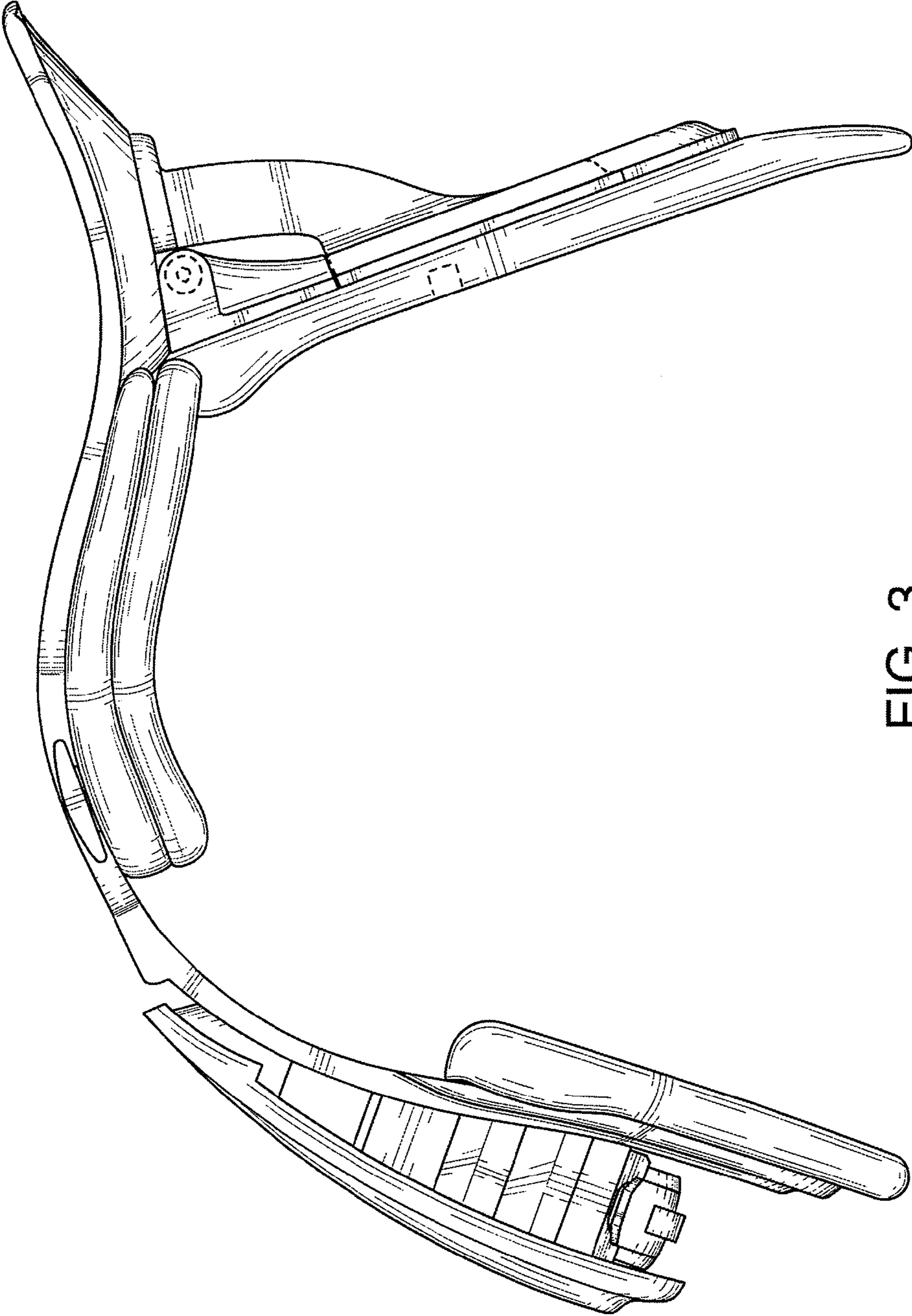


FIG. 3

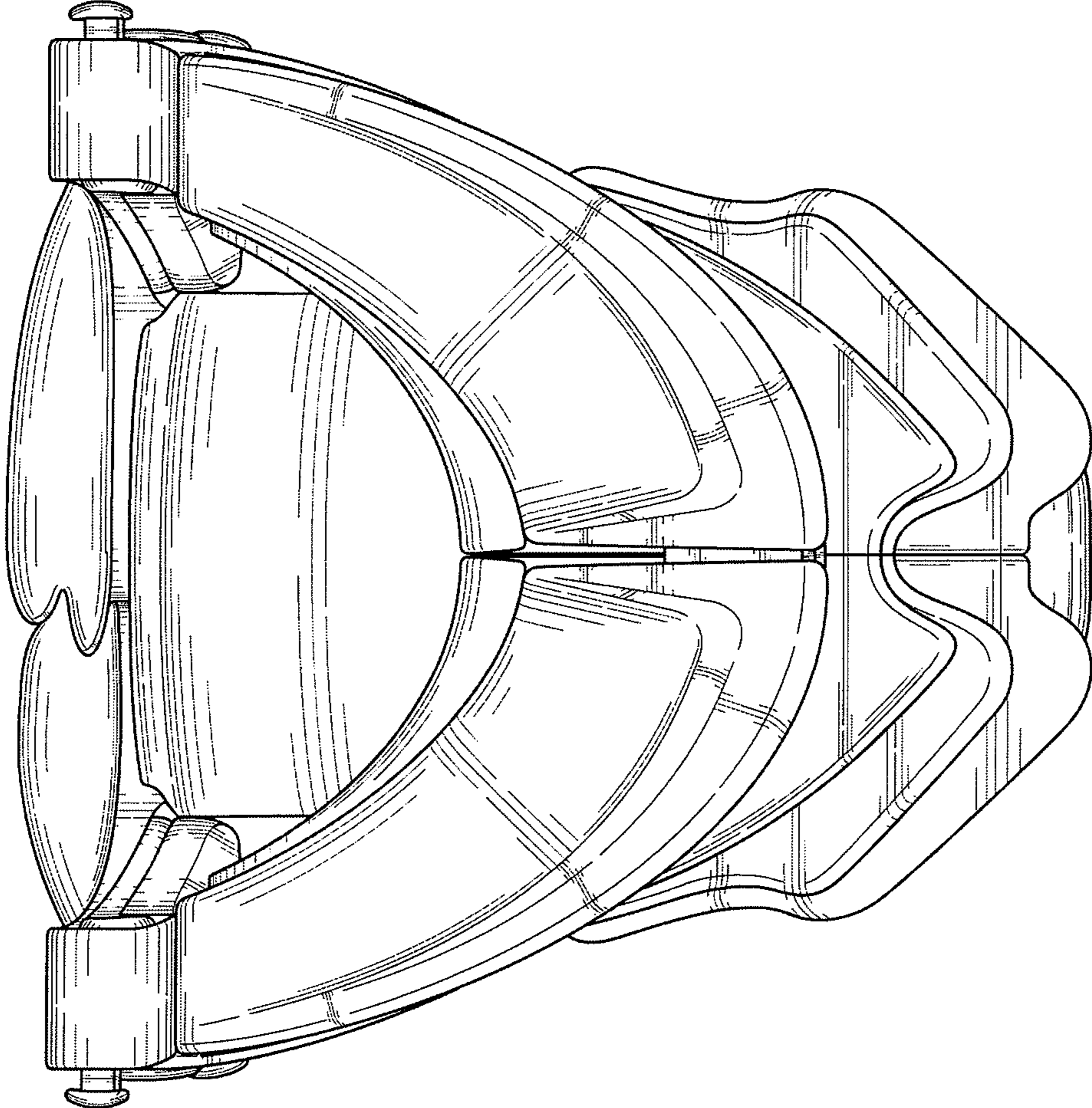


FIG. 4

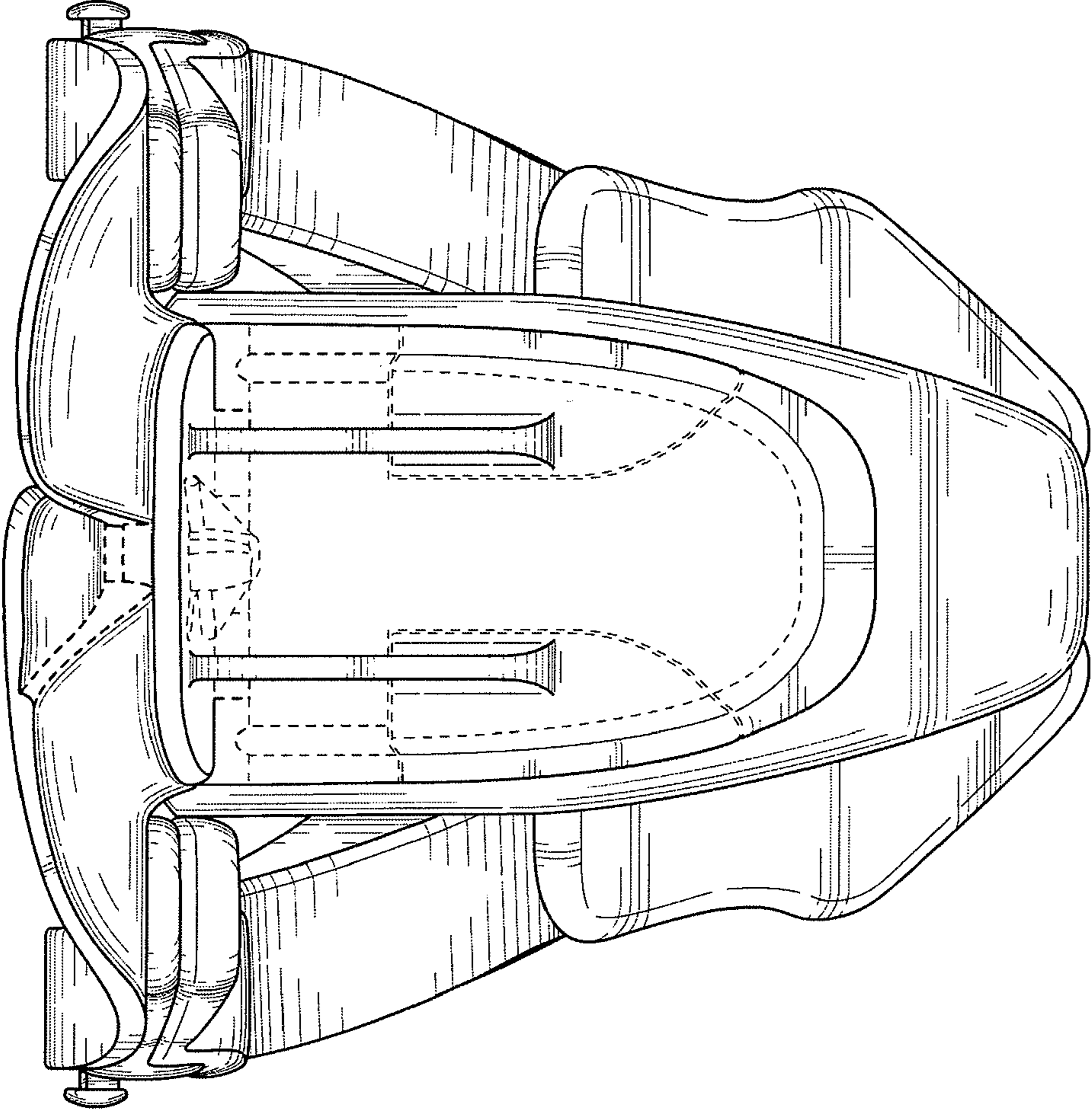


FIG. 5

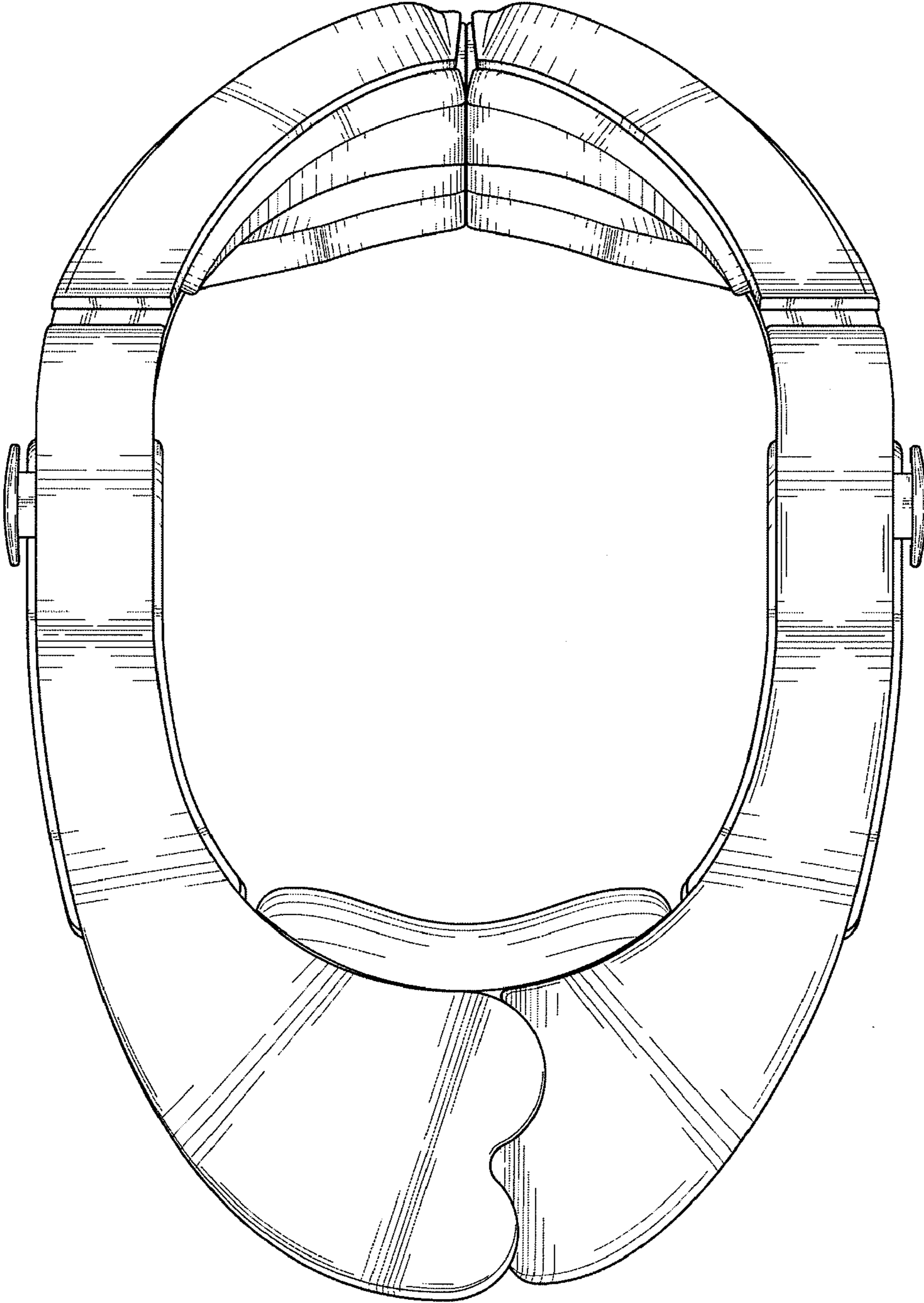


FIG. 6

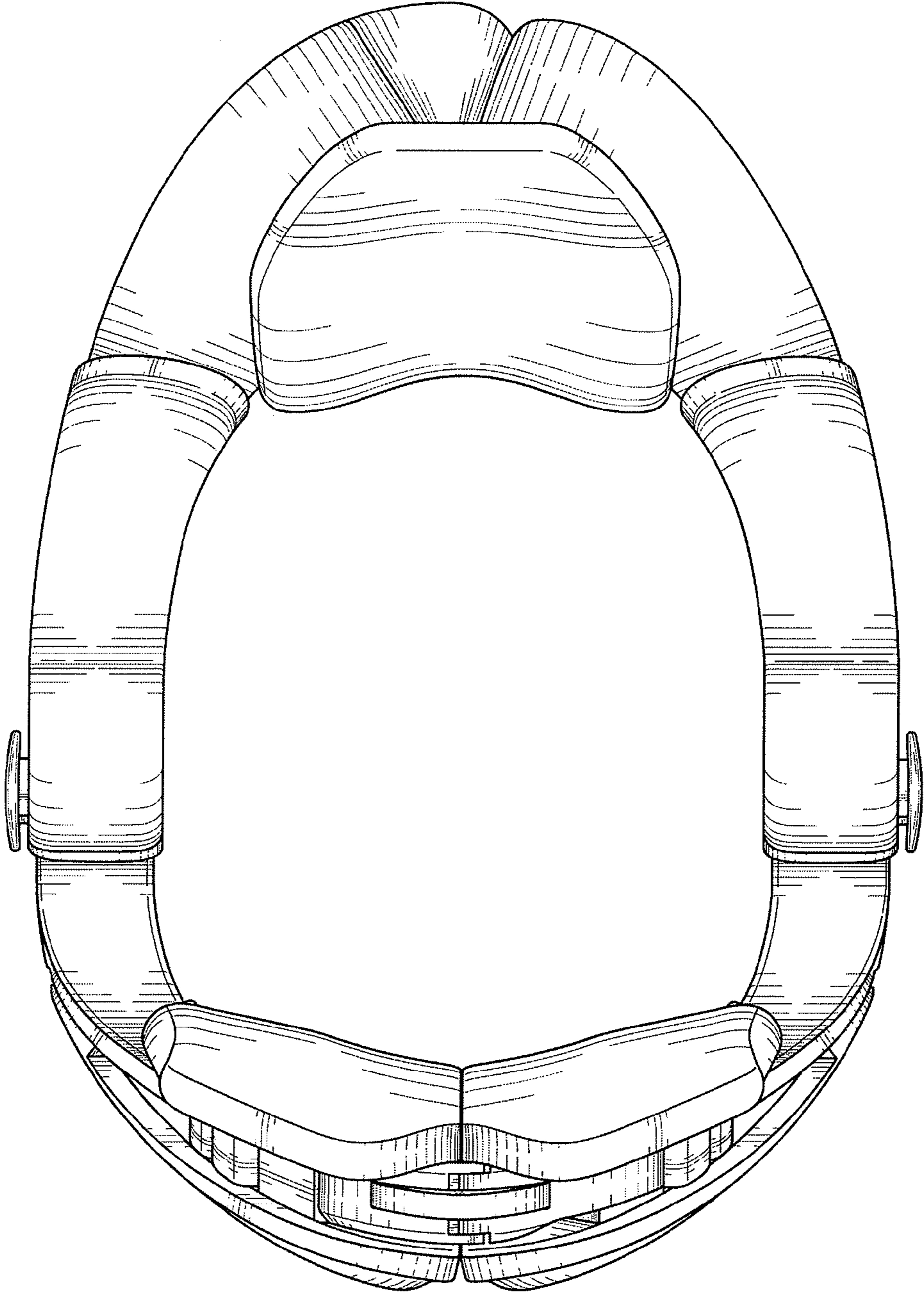


FIG. 7