



US00D605296S

(12) **United States Design Patent**
Hosey et al.

(10) **Patent No.:** **US D605,296 S**
(45) **Date of Patent:** **** Dec. 1, 2009**

(54) **DENTAL DELIVERY UNIT**

(75) Inventors: **David P. Hosey**, Minster, OH (US);
Timothy W. Forlow, Celina, OH (US);
Scott L. Strait, Greenville, OH (US);
George Chow, Columbus, OH (US);
Thornton Lothrop, Worthington, OH (US);
Rainer Teufel, Worthington, OH (US)

(73) Assignee: **Midmark Corporation**, Versailles, OH (US)

(**) Term: **14 Years**

(21) Appl. No.: **29/327,185**

(22) Filed: **Oct. 31, 2008**

(51) **LOC (9) Cl.** **24-04**

(52) **U.S. Cl.** **D24/177; D24/184**

(58) **Field of Classification Search** D24/176-184;
433/77, 82, 89, 92, 97, 25; 4/263; 251/289
See application file for complete search history.

(56) **References Cited**

U.S. PATENT DOCUMENTS

D217,249 S *	4/1970	Krantz	D24/177
D288,122 S *	2/1987	McGaha et al.	D24/177
D322,670 S *	12/1991	Haug et al.	D24/176
D328,791 S *	8/1992	Nordstrom et al.	D24/177
5,161,970 A *	11/1992	Baskas	433/77
5,297,961 A *	3/1994	Hanson	433/77
5,322,439 A *	6/1994	Young	433/77
D349,162 S *	7/1994	Nordstrom et al.	D24/177
5,332,392 A *	7/1994	Bierbaum et al.	433/77
D351,231 S *	10/1994	Austin et al.	D24/177
5,356,290 A *	10/1994	Strohmaier	433/77
D354,136 S *	1/1995	Phelps et al.	D24/177
D361,620 S *	8/1995	Phleps et al.	D24/177
D378,416 S *	3/1997	LaPlante et al.	D24/177
D380,549 S *	7/1997	Pate	D24/177
D458,379 S *	6/2002	Brockway et al.	D24/177

D498,847 S *	11/2004	Castellini	D24/177
6,962,253 B1 *	11/2005	McZeek	206/37
D555,244 S *	11/2007	Nakanishi	D24/176
D555,245 S *	11/2007	Castellini	D24/177
D555,247 S *	11/2007	Castellini	D24/177

* cited by examiner

Primary Examiner—Charles A Rademaker
(74) *Attorney, Agent, or Firm*—Wood, Herron & Evans, LLP

(57) **CLAIM**

The ornamental design for the dental delivery unit, as shown and described.

DESCRIPTION

FIG. 1 is a perspective view of a dental delivery unit showing our new design;

FIG. 2 is an a front elevation view thereof;

FIG. 3 is a rear elevation view thereof;

FIG. 4 is a left-side elevation view thereof;

FIG. 5 is a right-side elevation view thereof;

FIG. 6 is a top plan view thereof; and

FIG. 7 is a bottom plan view thereof.

FIG. 8 is a perspective view of a modified embodiment of the design shown in FIGS. 1 through 7;

FIG. 9 is an a front elevation view thereof;

FIG. 10 is a rear elevation view thereof;

FIG. 11 is a left-side elevation view thereof;

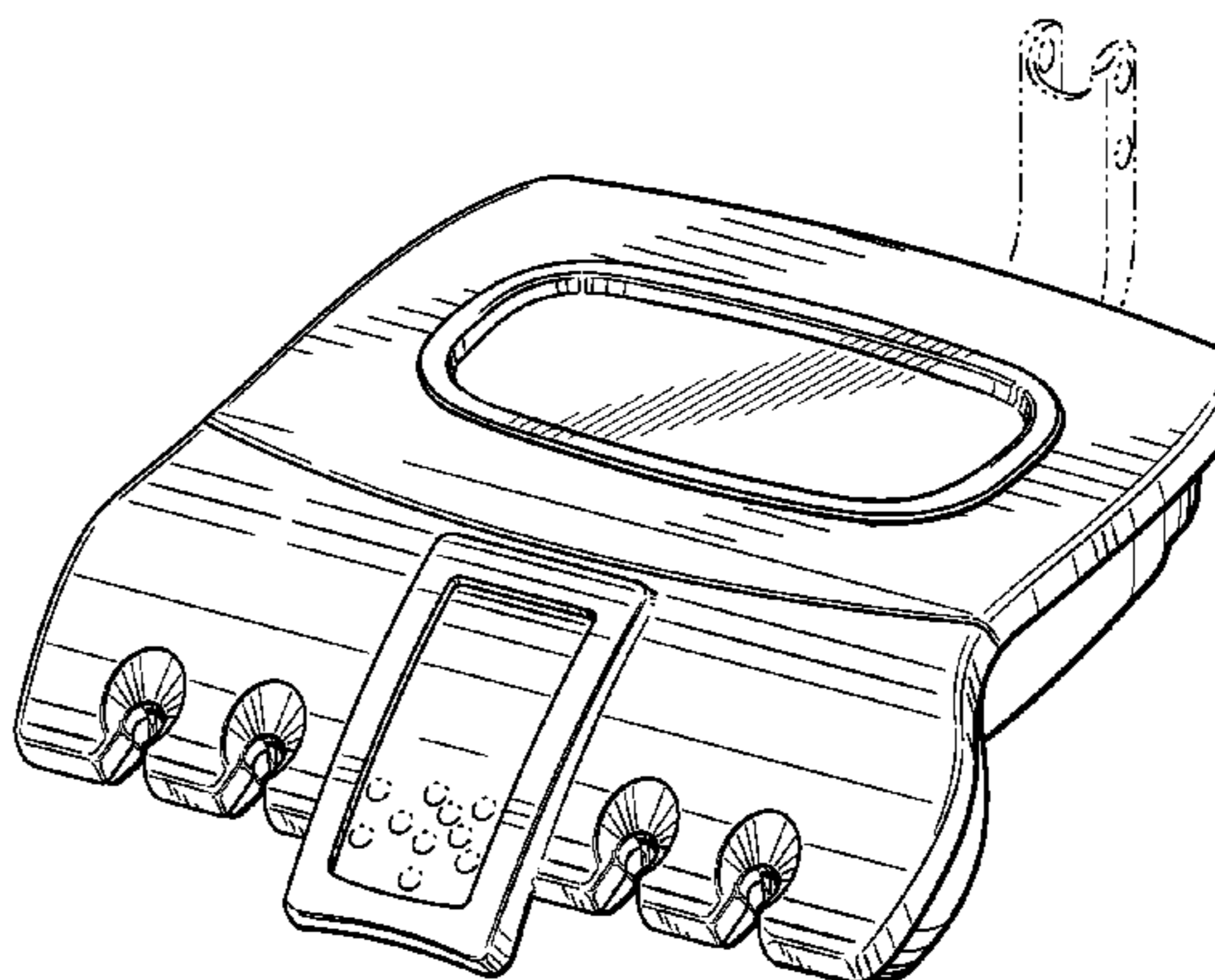
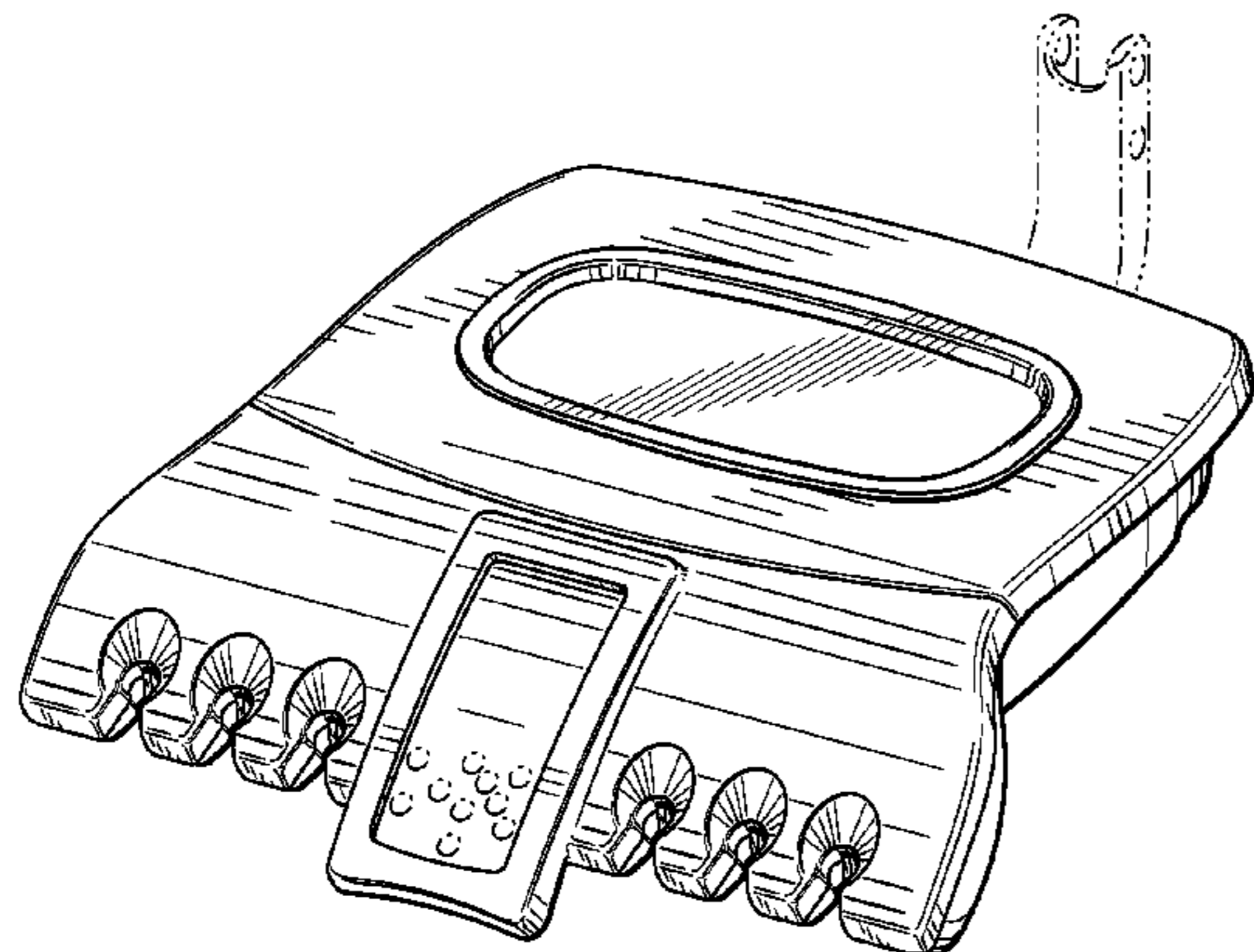
FIG. 12 is a right-side elevation view thereof;

FIG. 13 is a top plan view thereof; and,

FIG. 14 is a bottom plan view thereof.

The broken lines in the figures of the dental delivery unit are for illustrative purposes only and form no part of the claimed design.

1 Claim, 8 Drawing Sheets



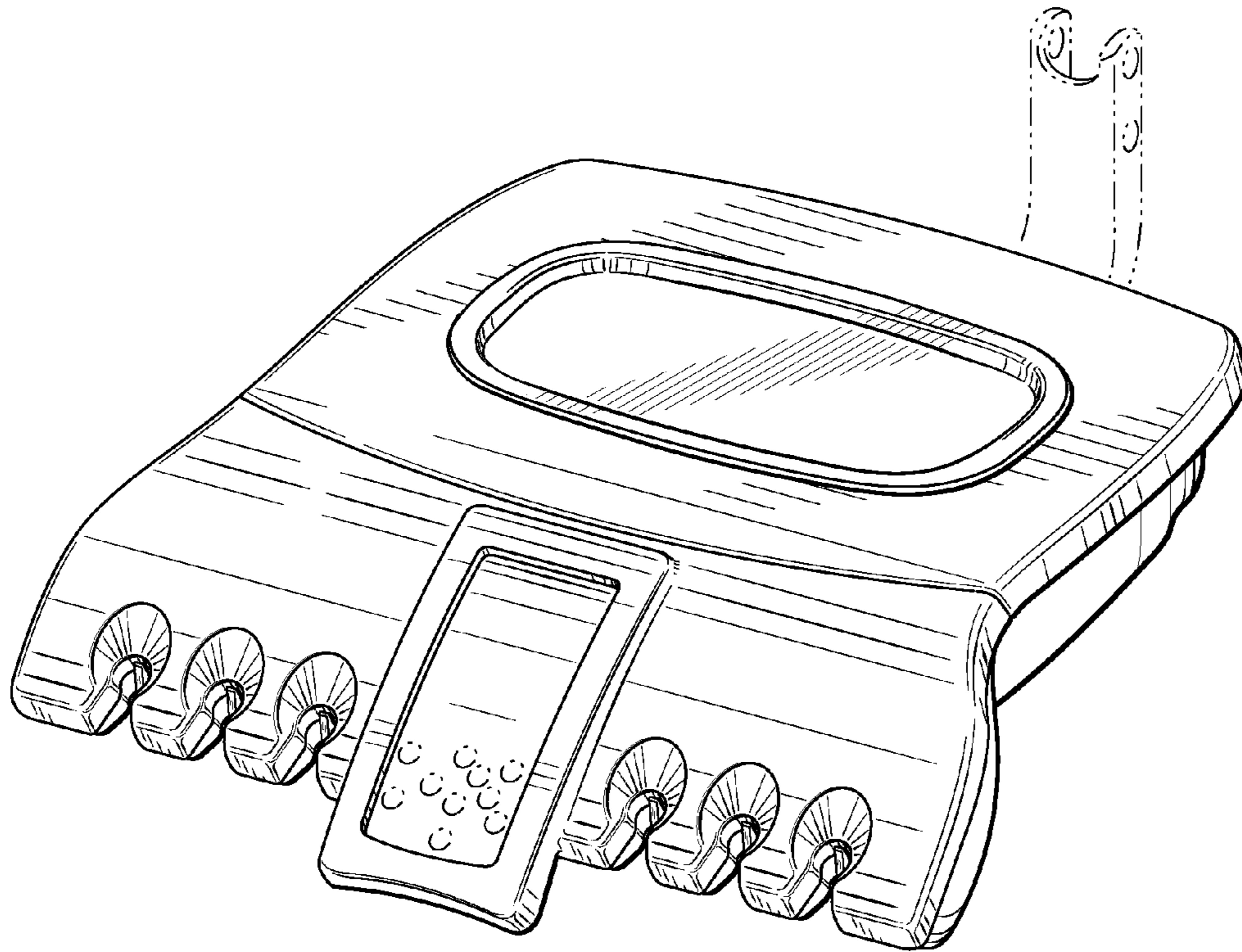


FIG. 1

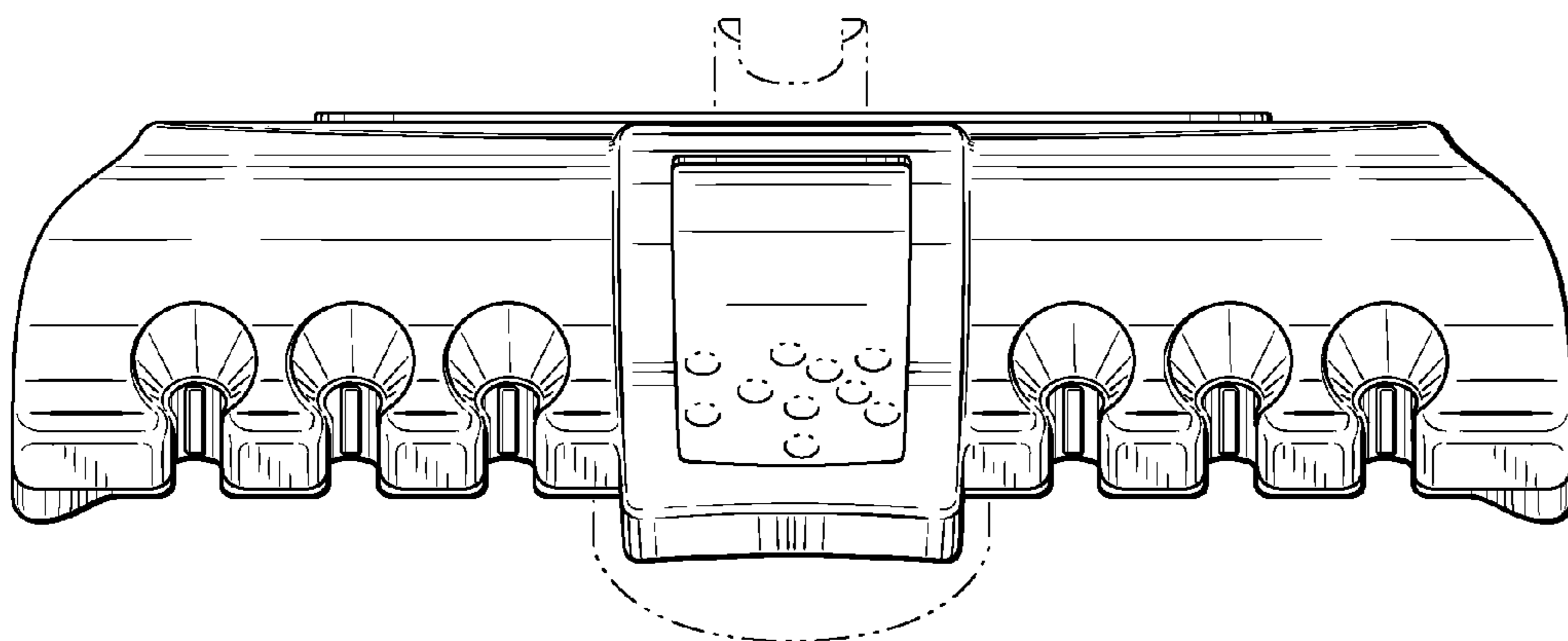


FIG. 2

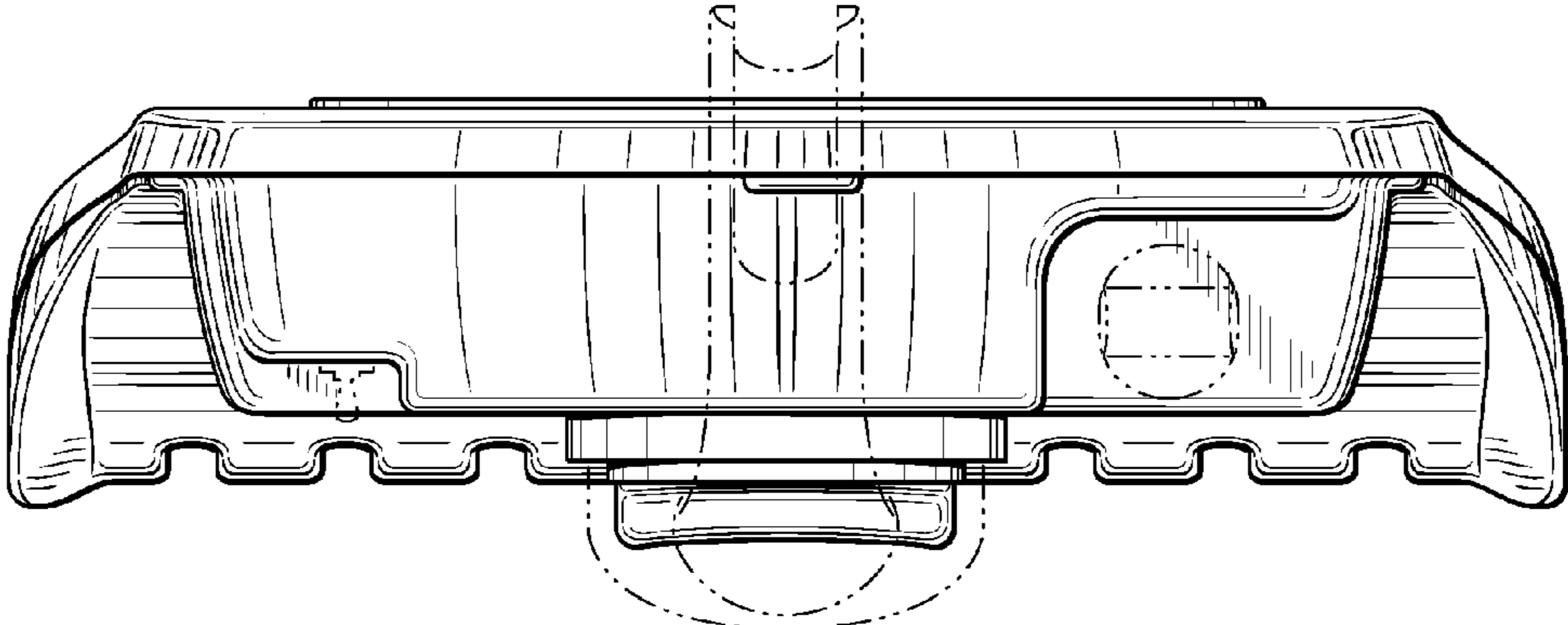


FIG. 3

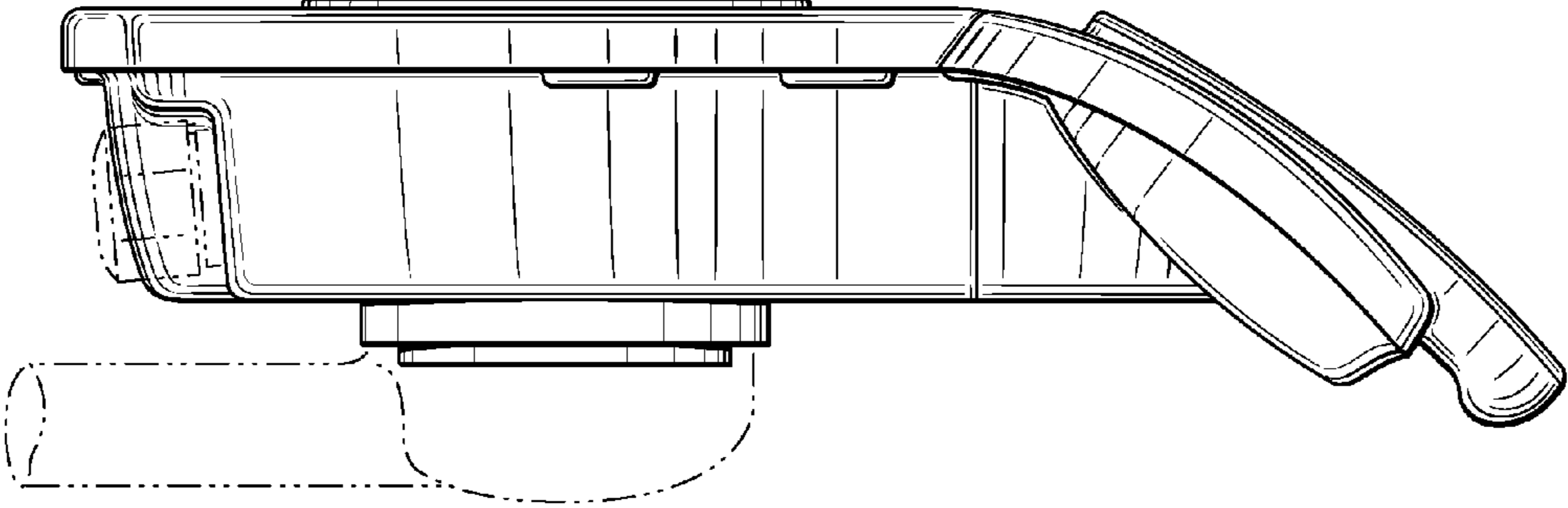


FIG. 4

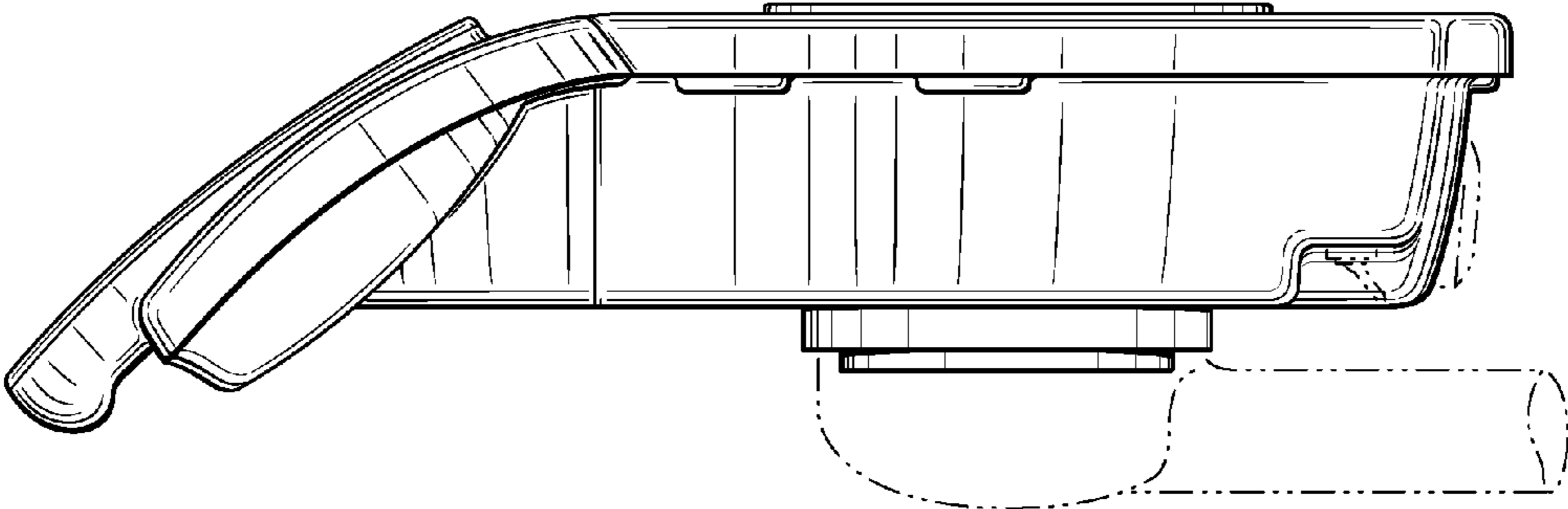


FIG. 5

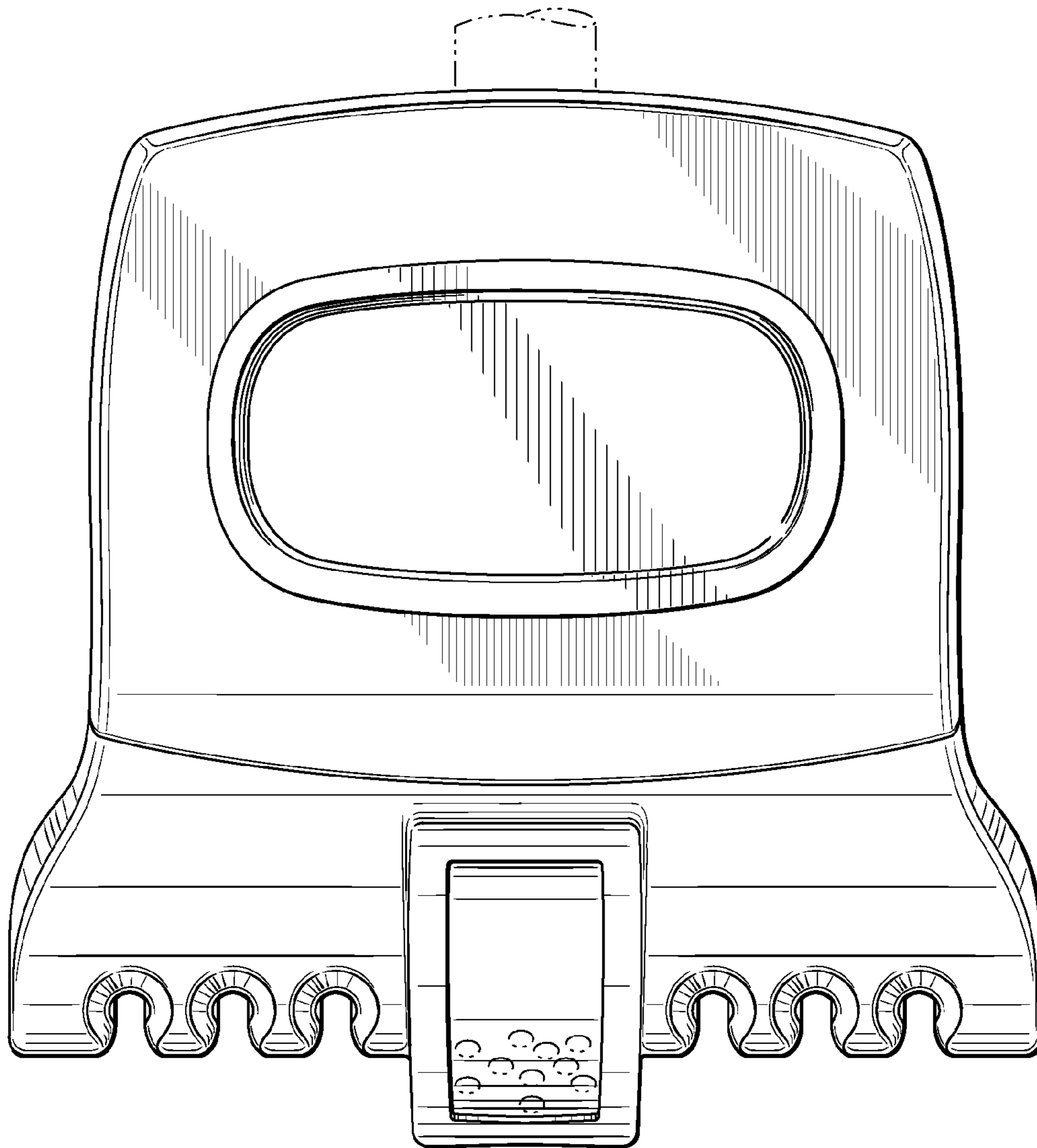


FIG. 6

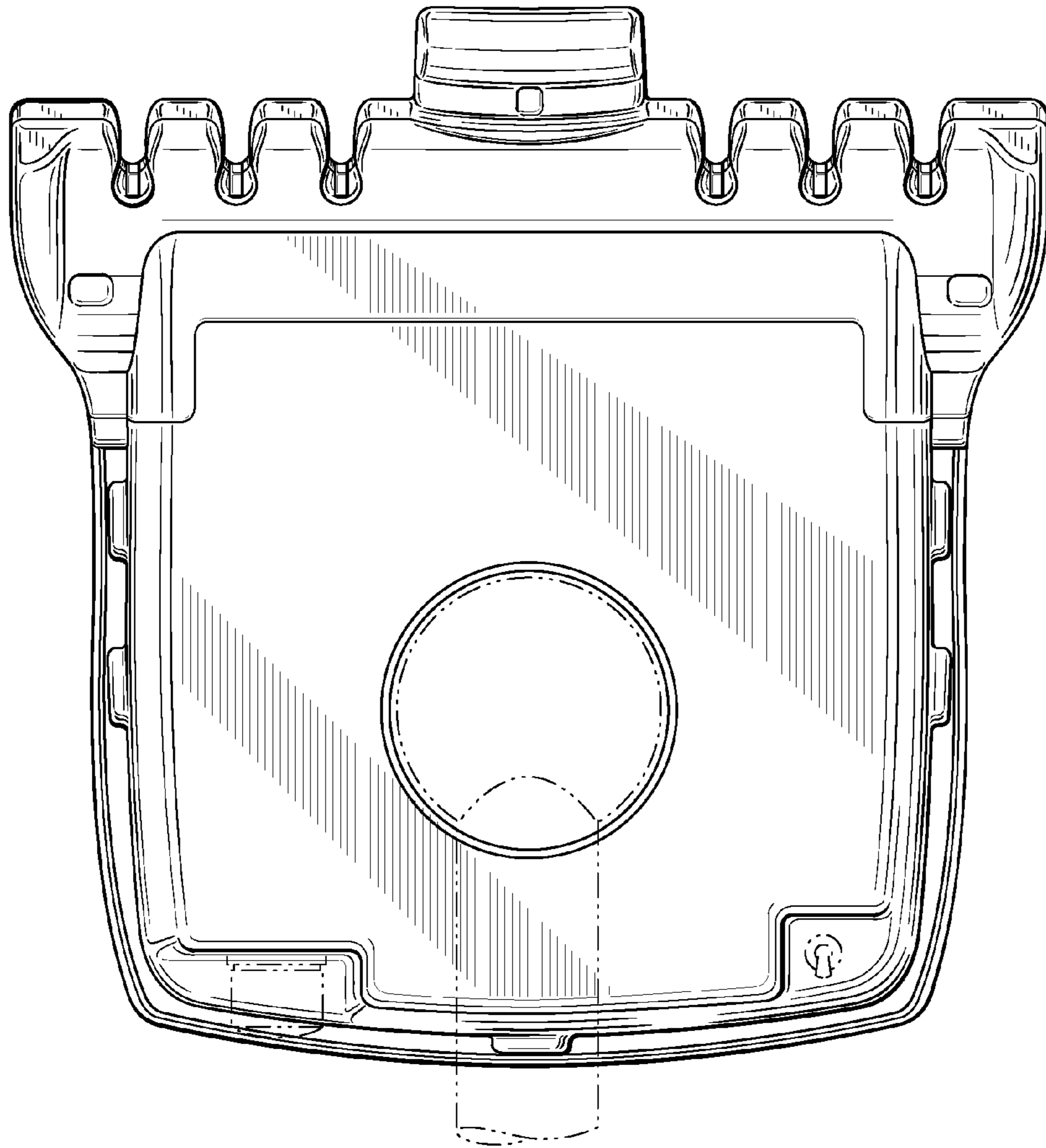


FIG. 7

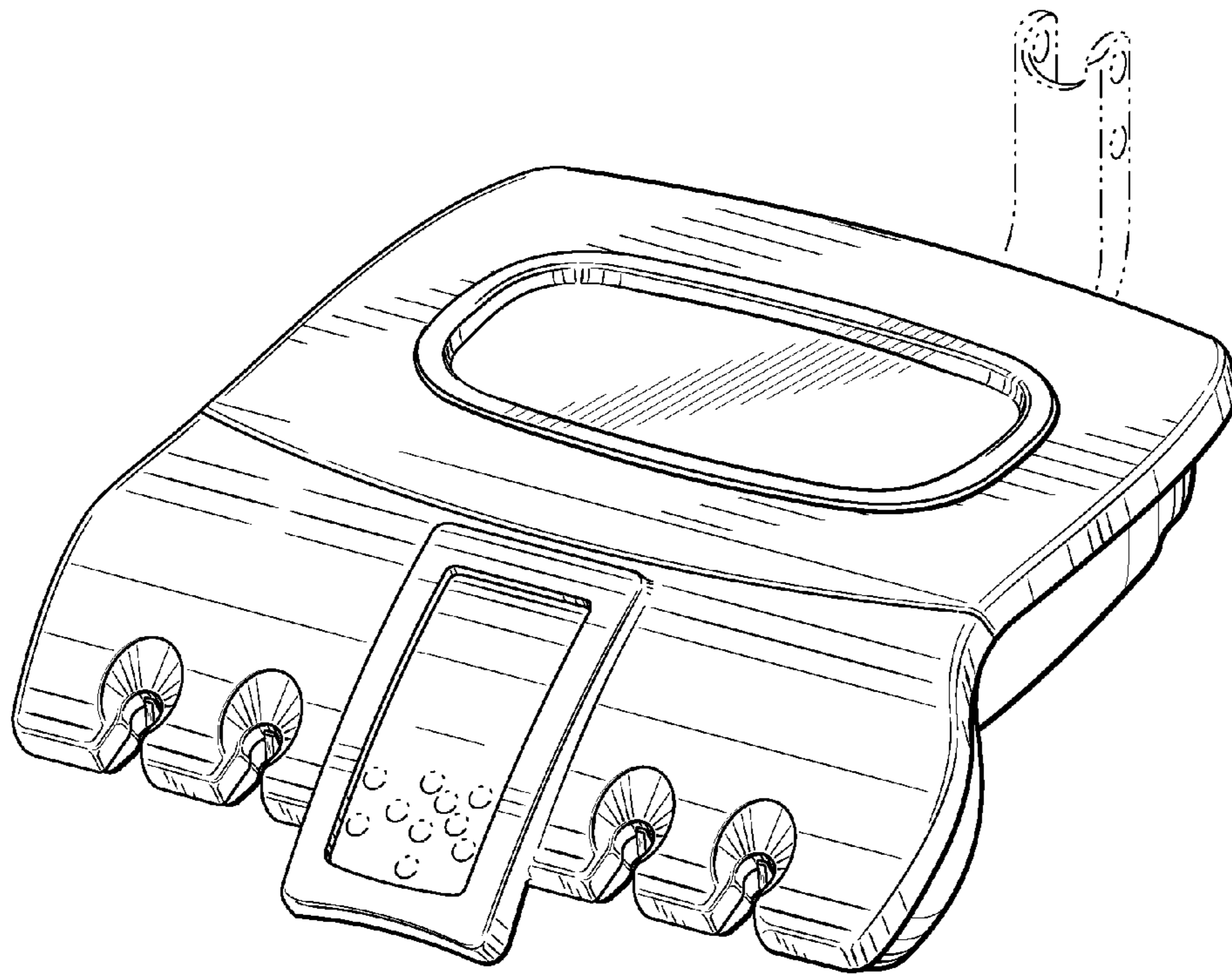


FIG. 8

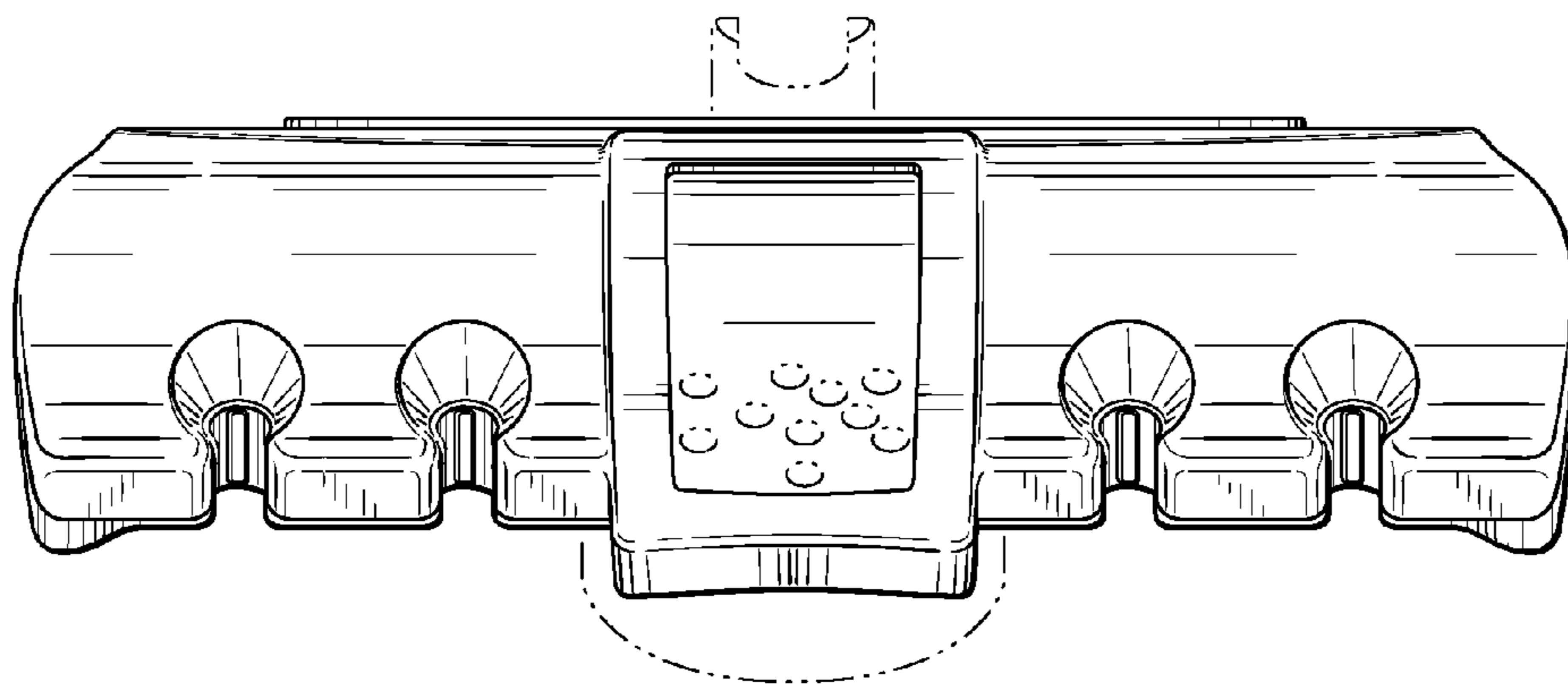


FIG. 9

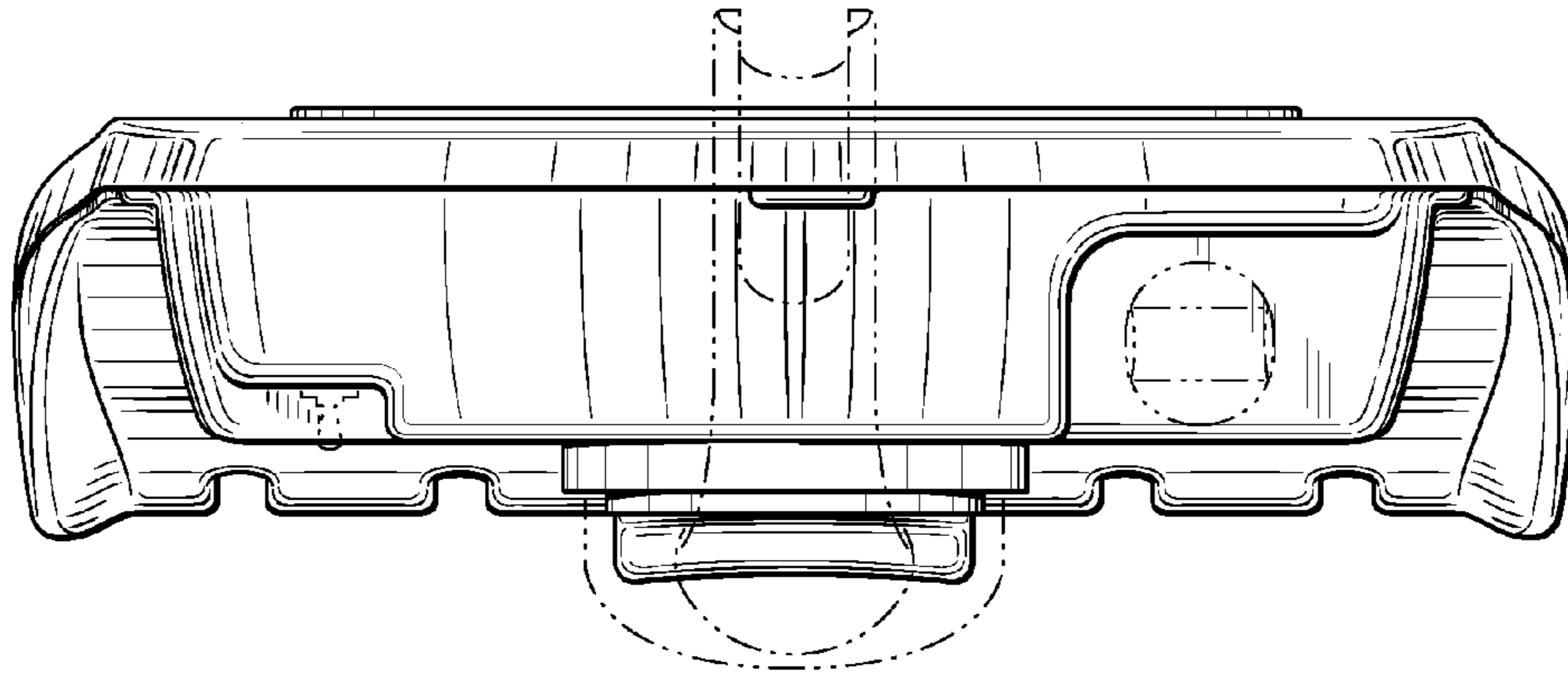


FIG. 10

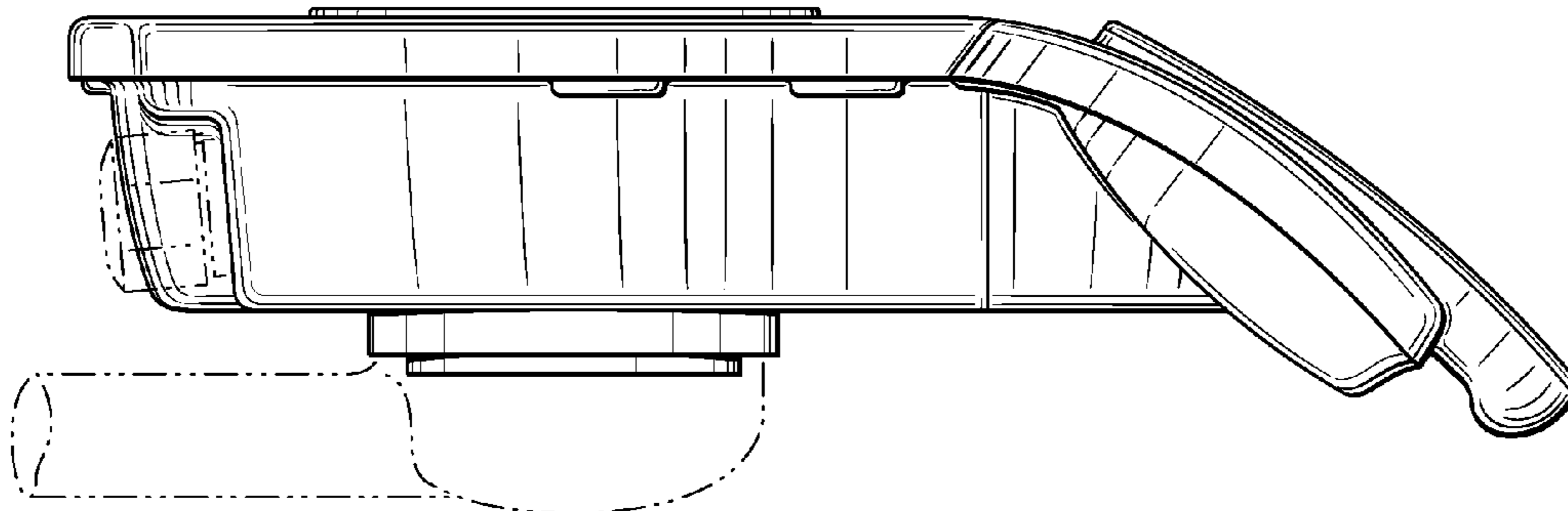


FIG. 11

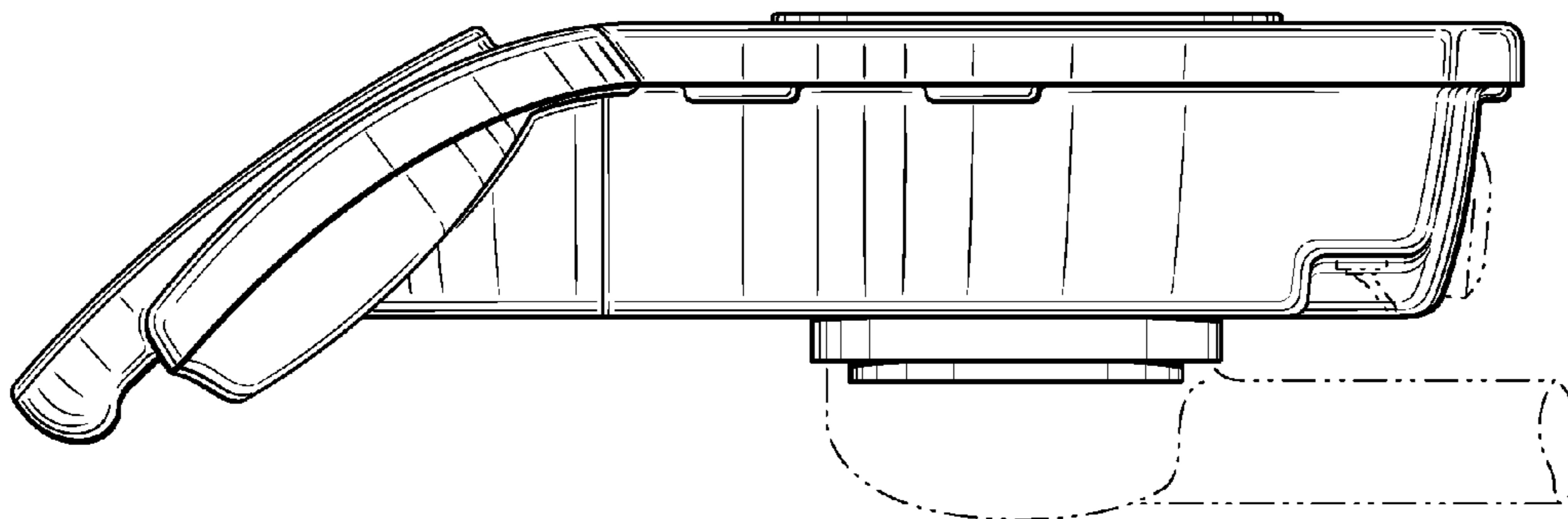


FIG. 12

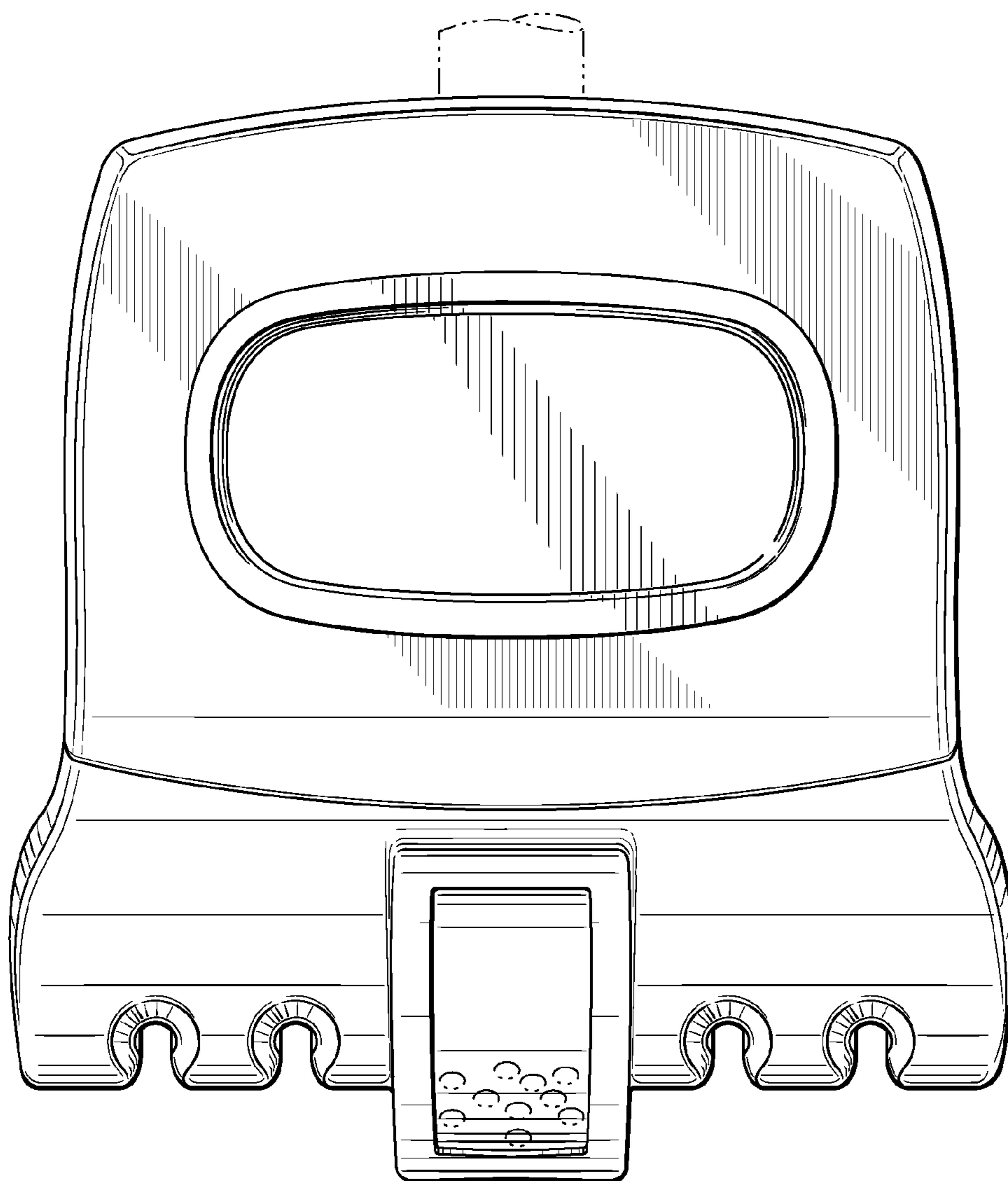


FIG. 13

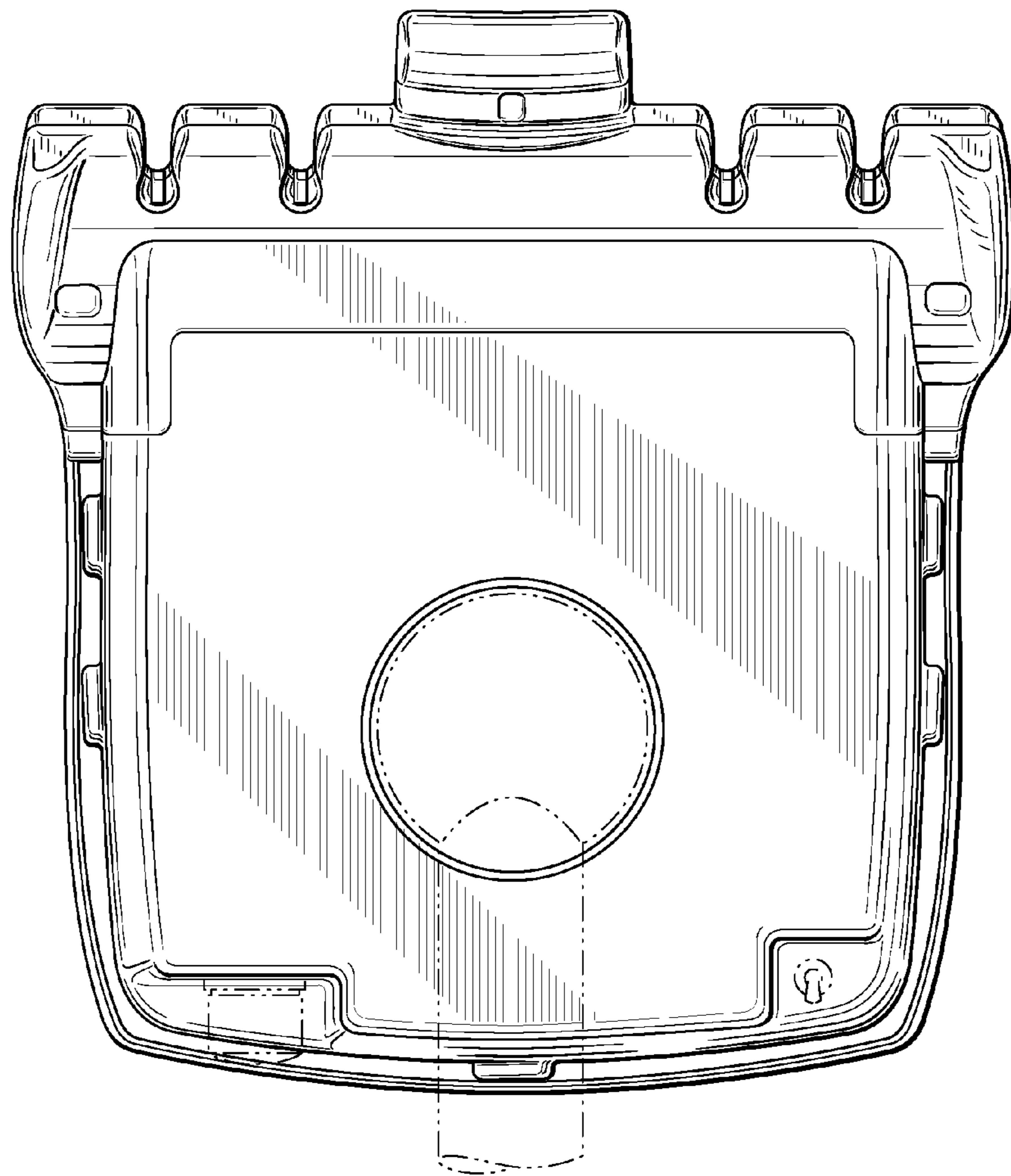


FIG. 14