



US00D605295S

(12) **United States Design Patent**
Albers et al.

(10) **Patent No.:** **US D605,295 S**

(45) **Date of Patent:** **** Dec. 1, 2009**

(54) **CUSPIDOR**

(75) Inventors: **Daniel A. Albers**, New Weston, OH (US); **David P. Hosey**, Minster, OH (US); **George Chow**, Columbus, OH (US); **Thornton Lothrop**, Worthington, OH (US); **Rainer Teufel**, Worthington, OH (US)

(73) Assignee: **Midmark Corporation**, Versailles, OH (US)

(**) Term: **14 Years**

(21) Appl. No.: **29/327,184**

(22) Filed: **Oct. 31, 2008**

(51) **LOC (9) Cl.** **24-04**

(52) **U.S. Cl.** **D24/177**

(58) **Field of Classification Search** D24/177;
D23/291, 292; 433/92, 97, 25; 4/263
See application file for complete search history.

(56) **References Cited**

U.S. PATENT DOCUMENTS

D51,289	S	*	9/1917	Shibley	D24/177
1,300,868	A	*	4/1919	Pieper et al.	4/263
1,649,183	A	*	11/1927	Pieper	4/263
2,078,890	A	*	4/1937	Follett	4/263
D167,252	S	*	7/1952	Bronk et al.	D24/177
D208,304	S	*	8/1967	Krantz	D24/177
3,530,513	A	*	9/1970	Maurer et al.	4/263
D225,855	S	*	1/1973	Krantz	D24/177
D258,007	S	*	1/1981	Schmidt	D24/177
4,386,910	A	*	6/1983	Cattani	433/92
D277,503	S	*	2/1985	Truette et al.	D24/177
5,022,858	A	*	6/1991	Castellini	433/97
D346,212	S	*	4/1994	Hosl	D24/111
D348,933	S	*	7/1994	Nordstrom et al.	D24/177
5,367,717	A	*	11/1994	Fisher	4/263
D378,415	S	*	3/1997	Irwin et al.	D24/177
D458,378	S	*	6/2002	Bevington	D24/177

* cited by examiner

Primary Examiner—Charles A Rademaker

(74) *Attorney, Agent, or Firm*—Wood, Herron & Evans, LLP

(57) **CLAIM**

The ornamental design for the cuspidor, as shown and described.

DESCRIPTION

FIG. 1 is a perspective view of a cuspidor showing our new design;

FIG. 2 is a rear elevation view thereof;

FIG. 3 is a front elevation view thereof;

FIG. 4 is a left-side elevation view thereof;

FIG. 5 is a right-side elevation view thereof;

FIG. 6 is a top plan view thereof; and

FIG. 7 is a bottom plan view thereof.

FIG. 8 is a perspective view of a modified embodiment of the design shown in FIG. 1 through 7;

FIG. 9 is a rear elevation view thereof; and

FIG. 10 is a top plan view thereof, the front elevation, left side elevation, right side elevation and bottom plan views being identical to what is shown in FIGS. 3 through 5 and 7;

FIG. 11 is a perspective view of a second modified embodiment of the design shown in FIGS. 1 through 7;

FIG. 12 is a rear elevation view thereof;

FIG. 13 is a front elevation view thereof;

FIG. 14 is a left-side elevation view thereof;

FIG. 15 is a right-side elevation view thereof;

FIG. 16 is a top plan view thereof; and

FIG. 17 is a bottom plan view thereof.

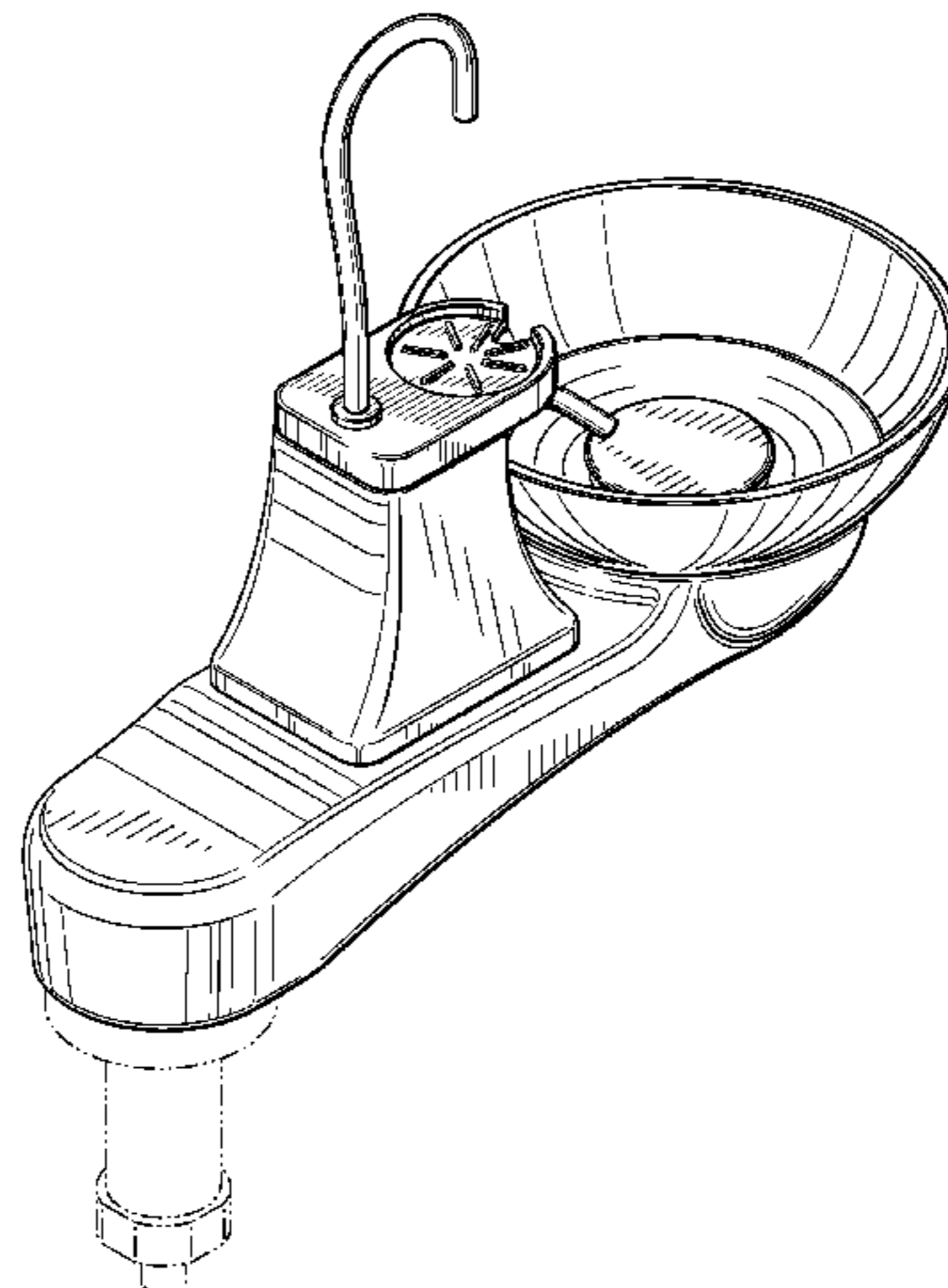
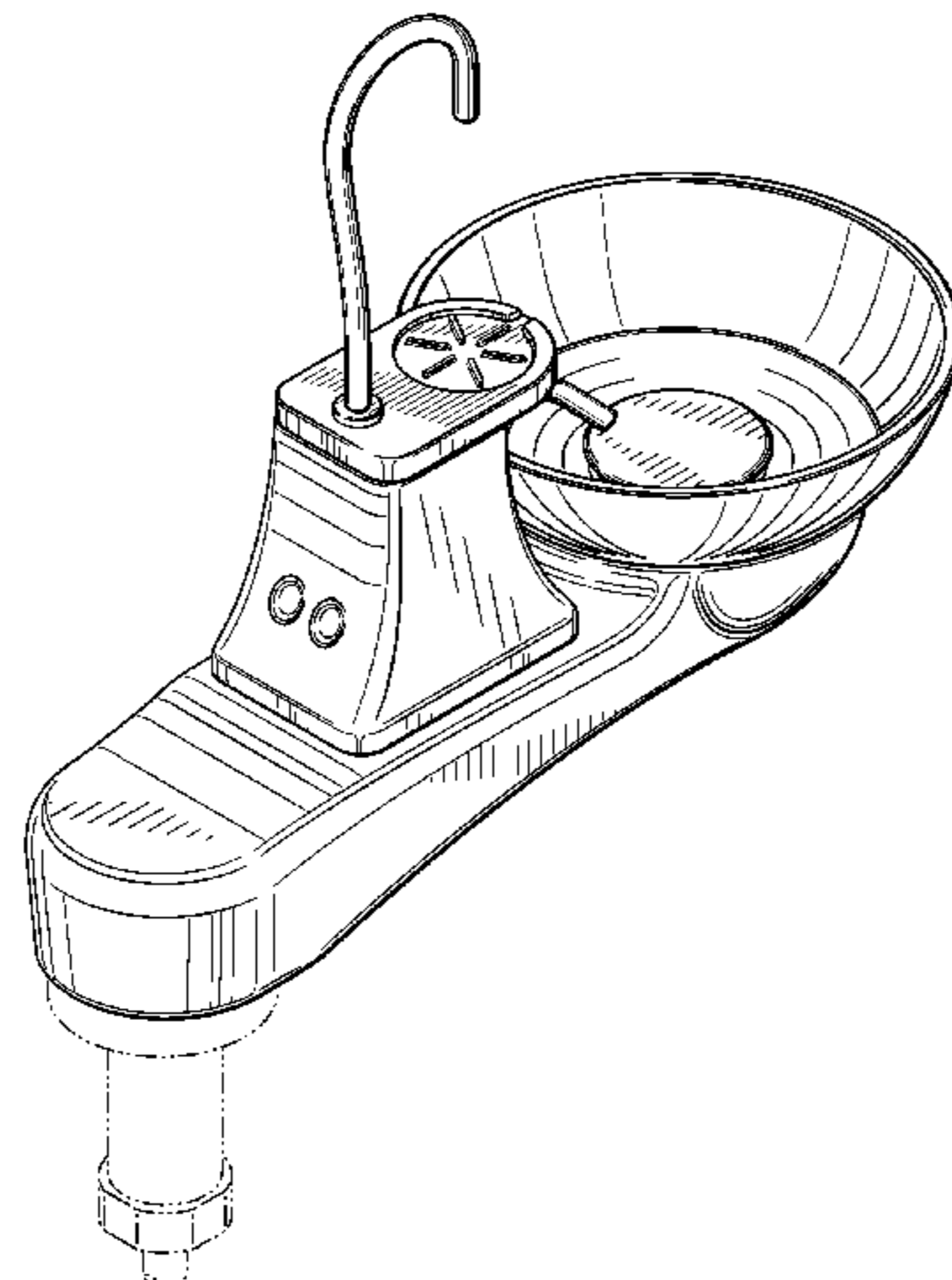
FIG. 18 is a perspective view of a third modified embodiment of the design shown in FIGS. 1 through 7;

FIG. 19 is a rear elevation view thereof; and,

FIG. 20 is a top plan view thereof, the front elevation, left side elevation, right side elevation and bottom plan views being identical to what is shown in FIGS. 13 through 15 and 17.

The broken lines in the figures of the cuspidor are for illustrative purposes only and form no part of the claimed design.

1 Claim, 14 Drawing Sheets



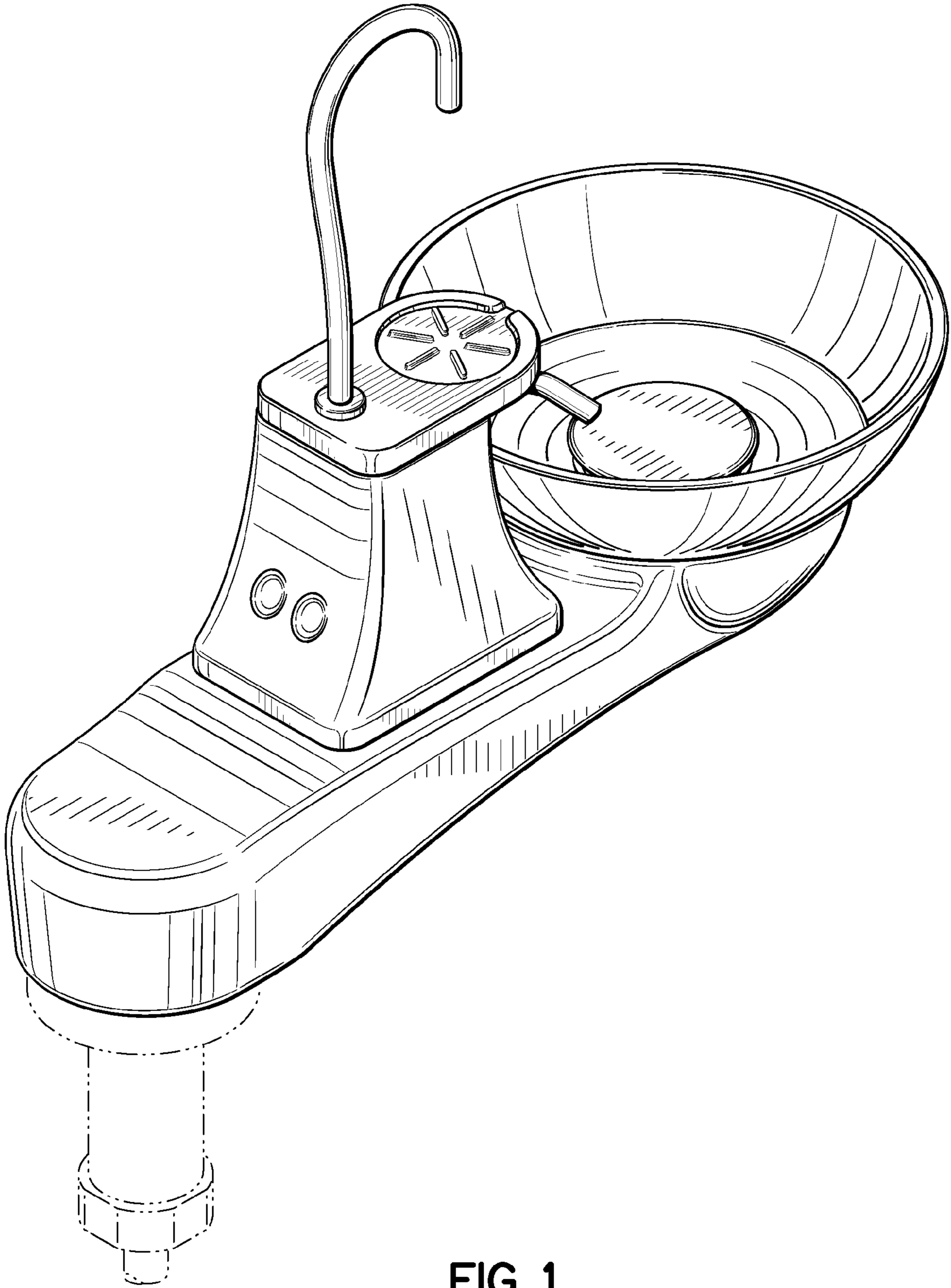


FIG. 1

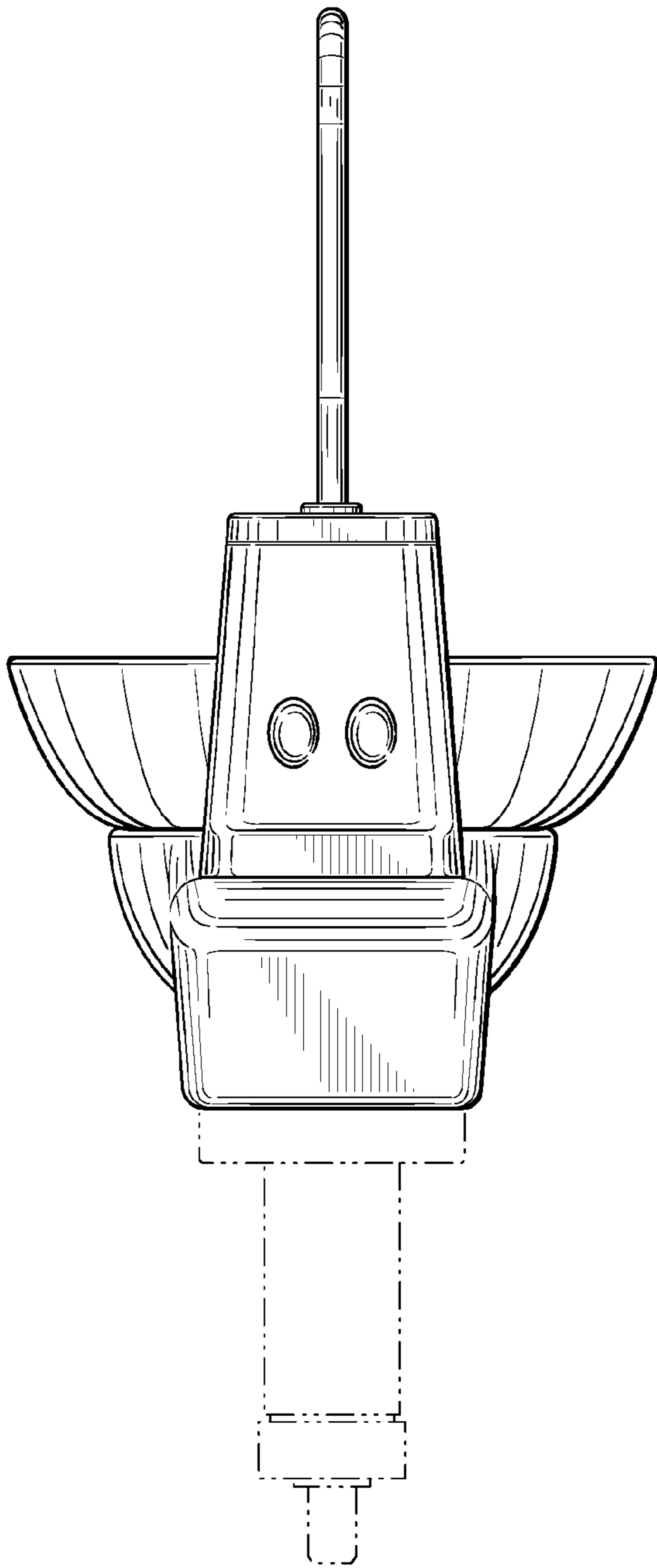


FIG. 2

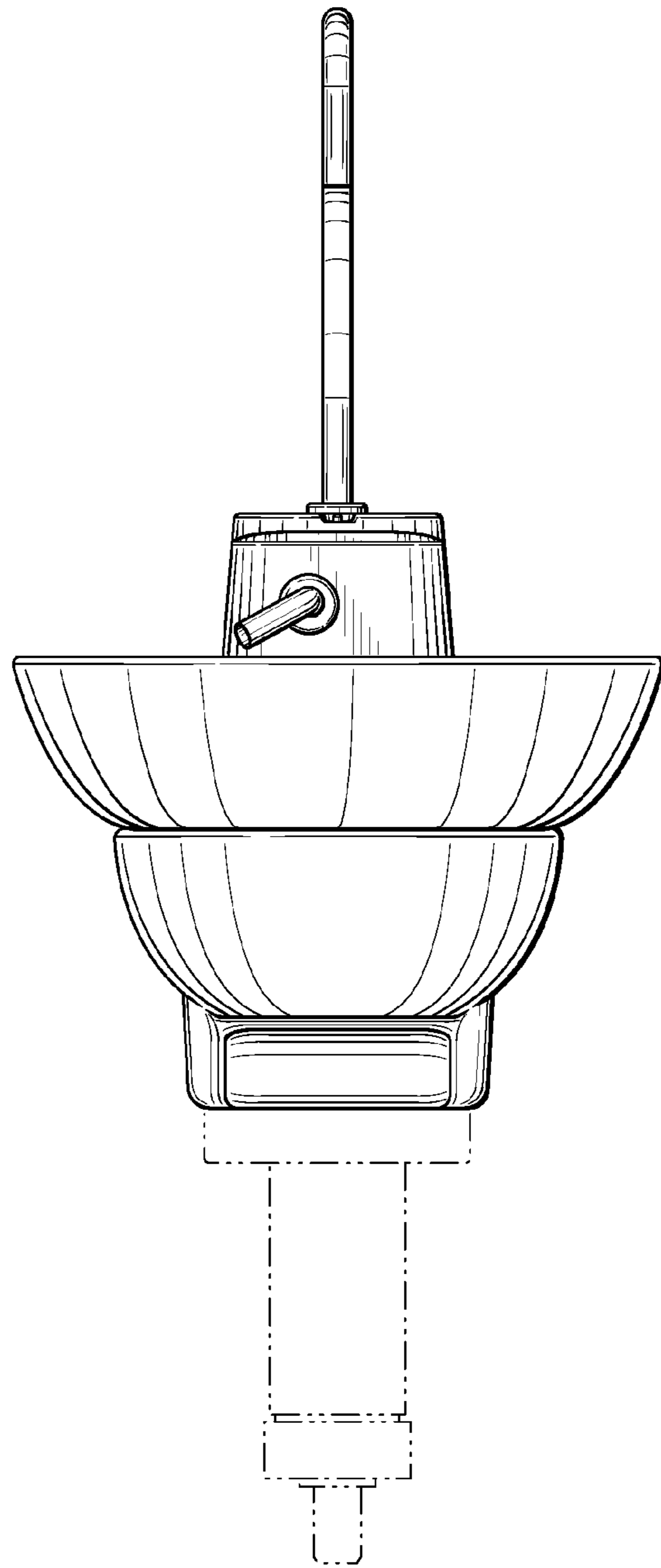


FIG. 3

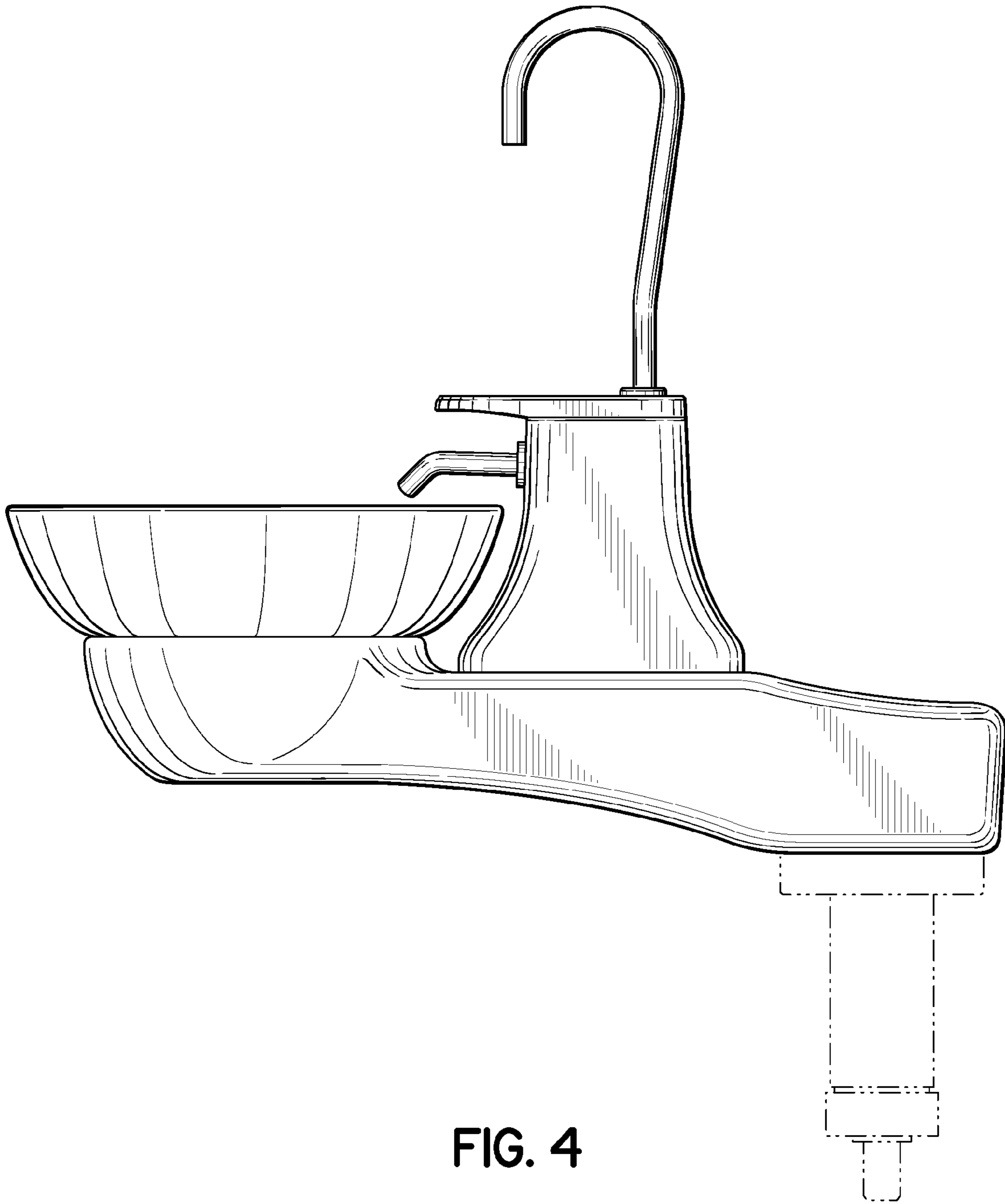


FIG. 4

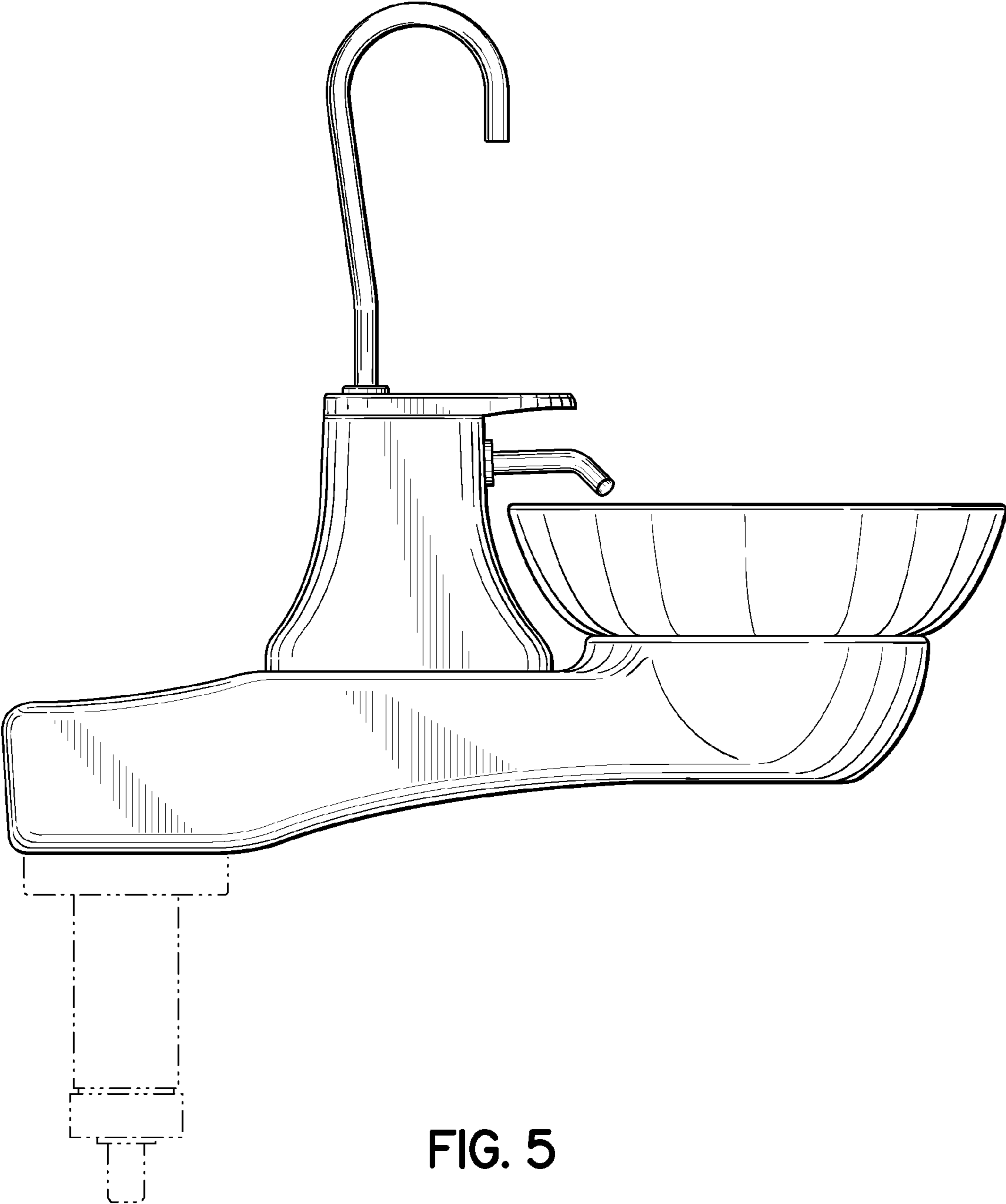


FIG. 5

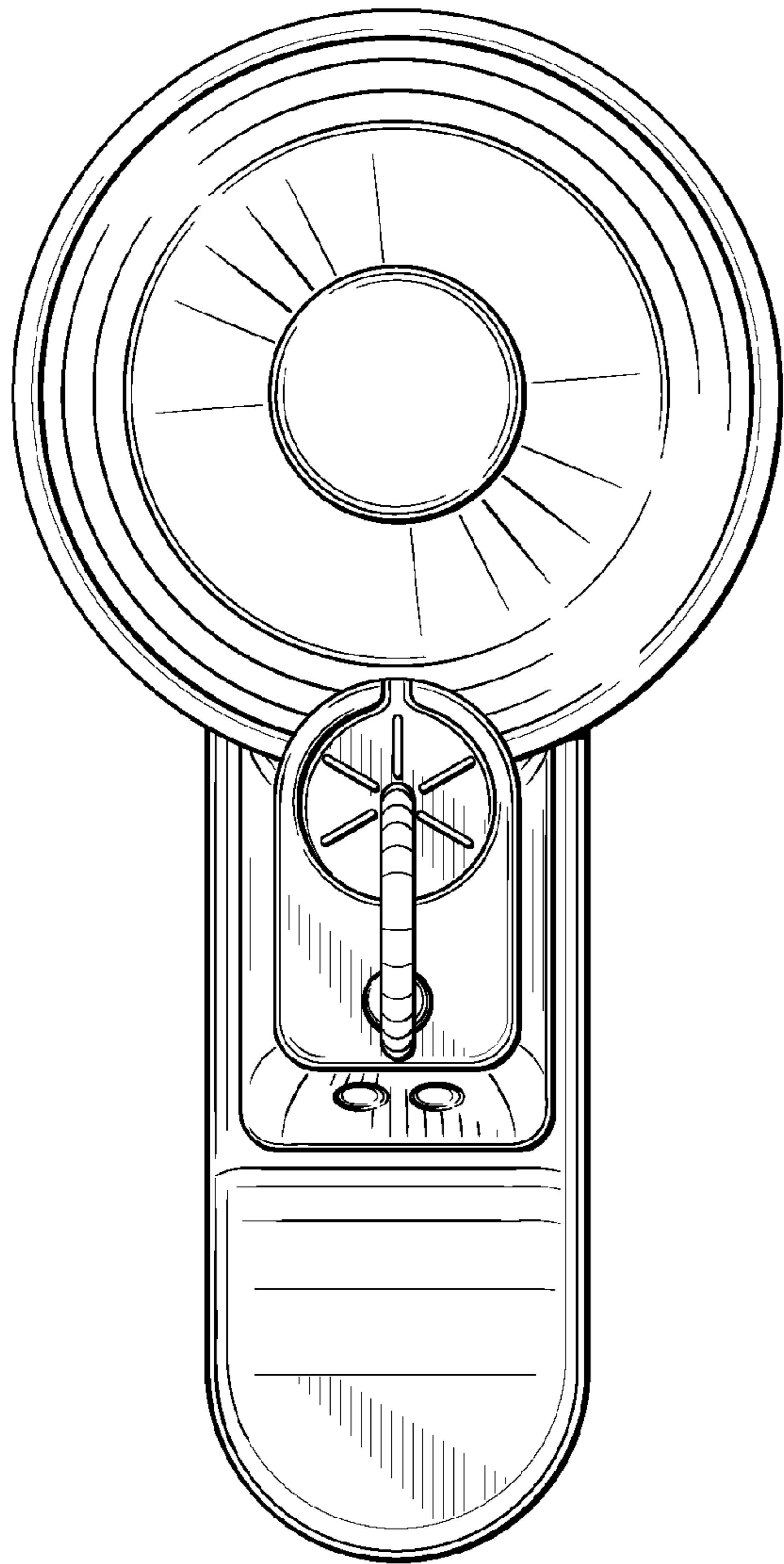


FIG. 6

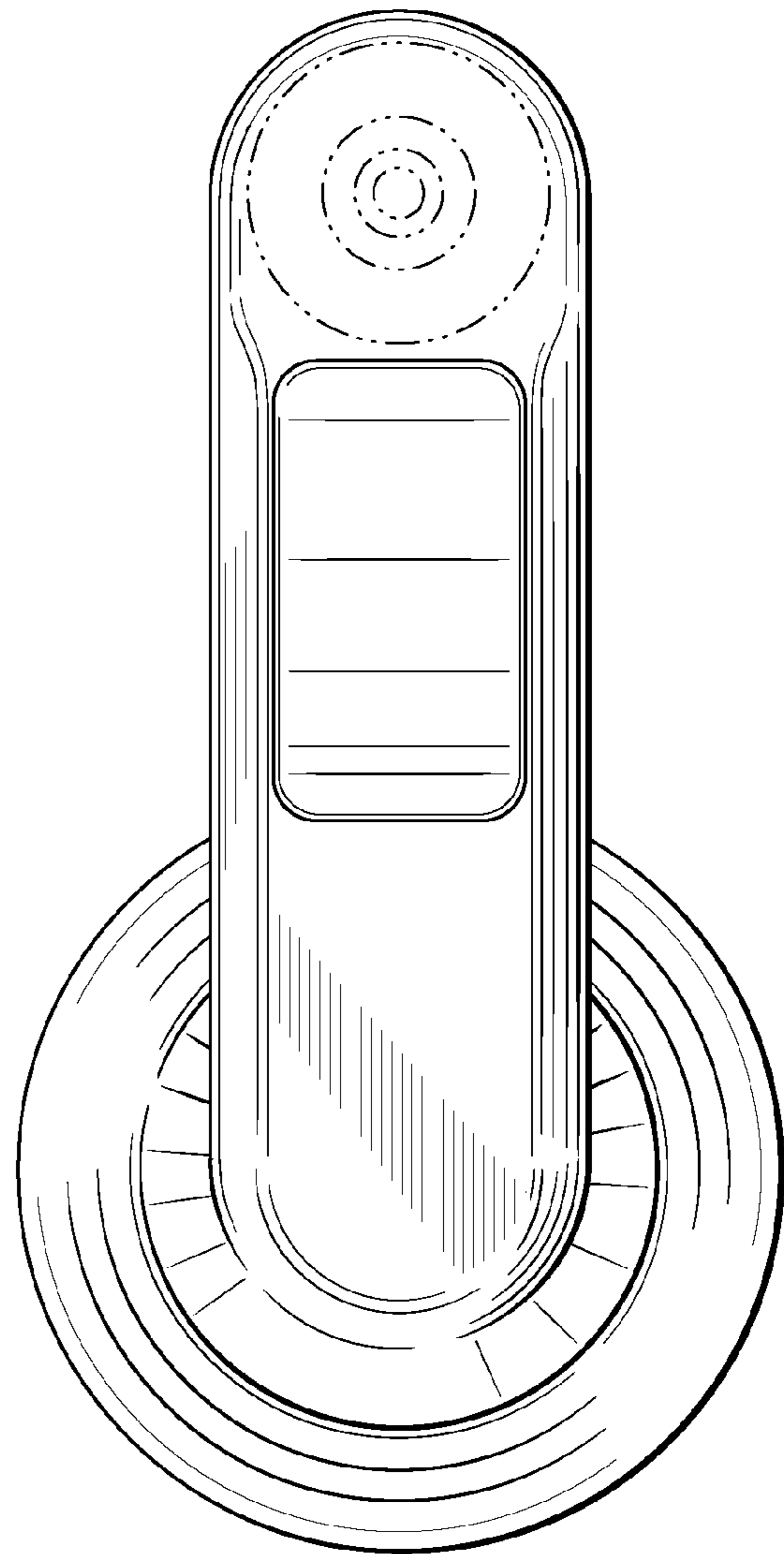


FIG. 7

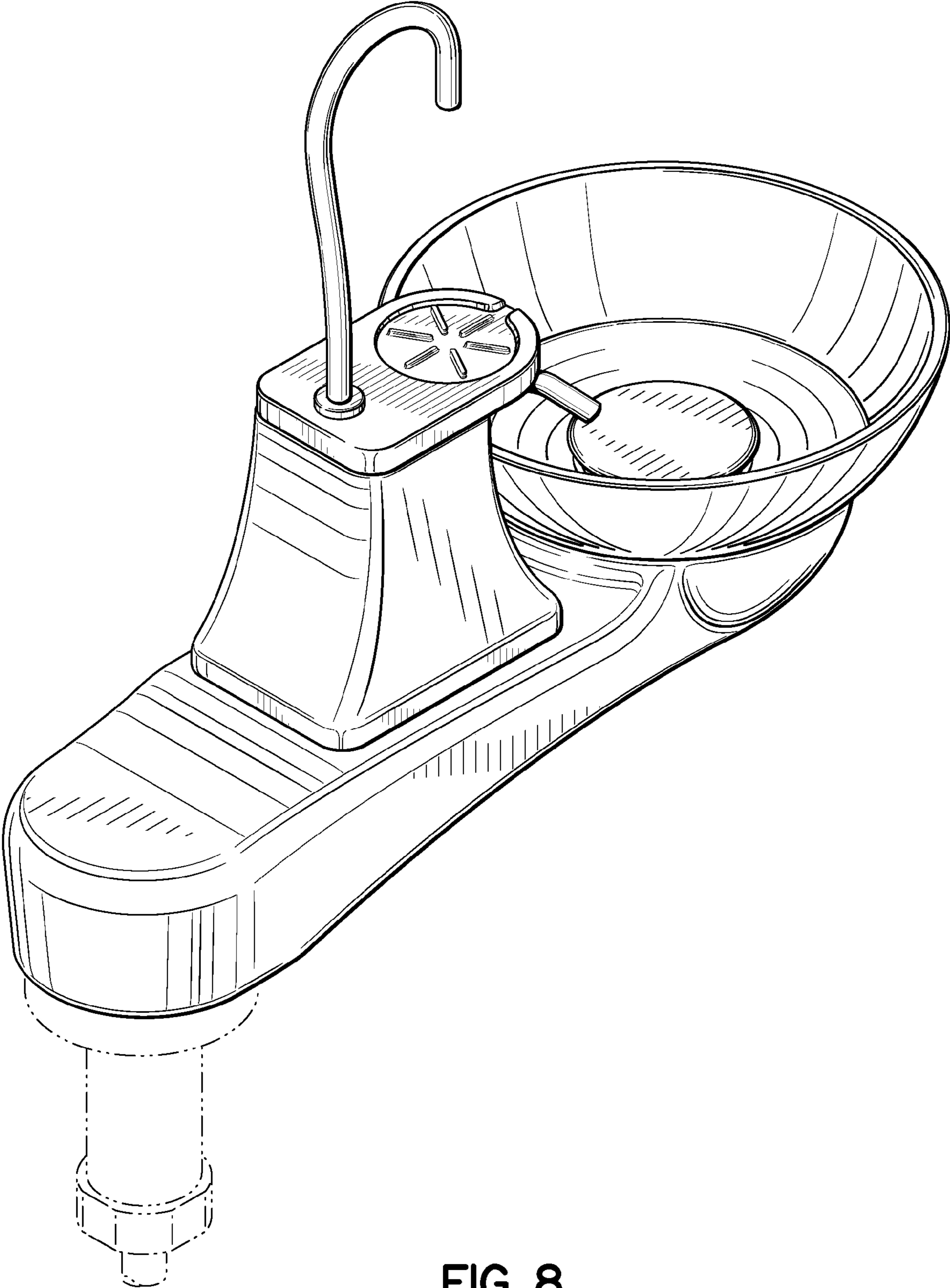


FIG. 8

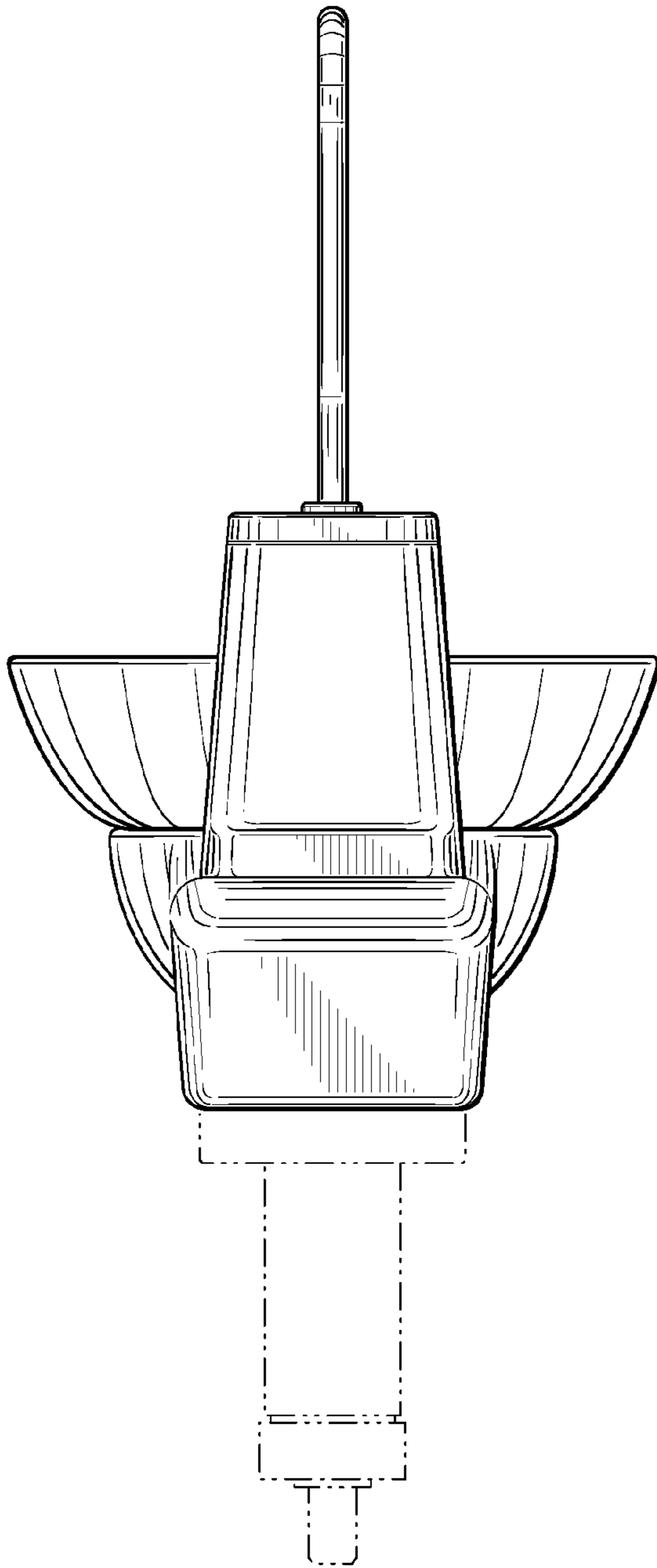


FIG. 9

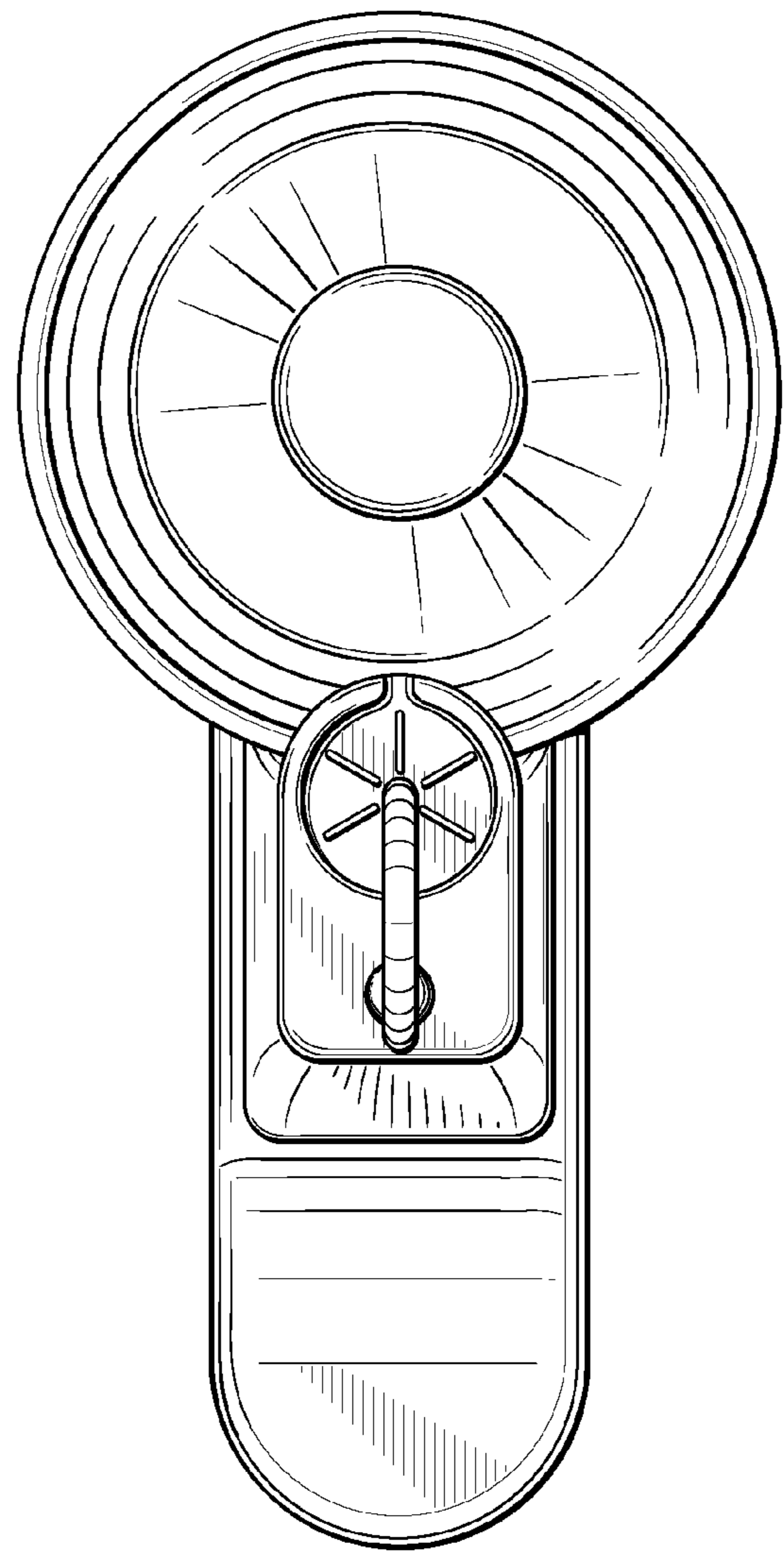


FIG. 10

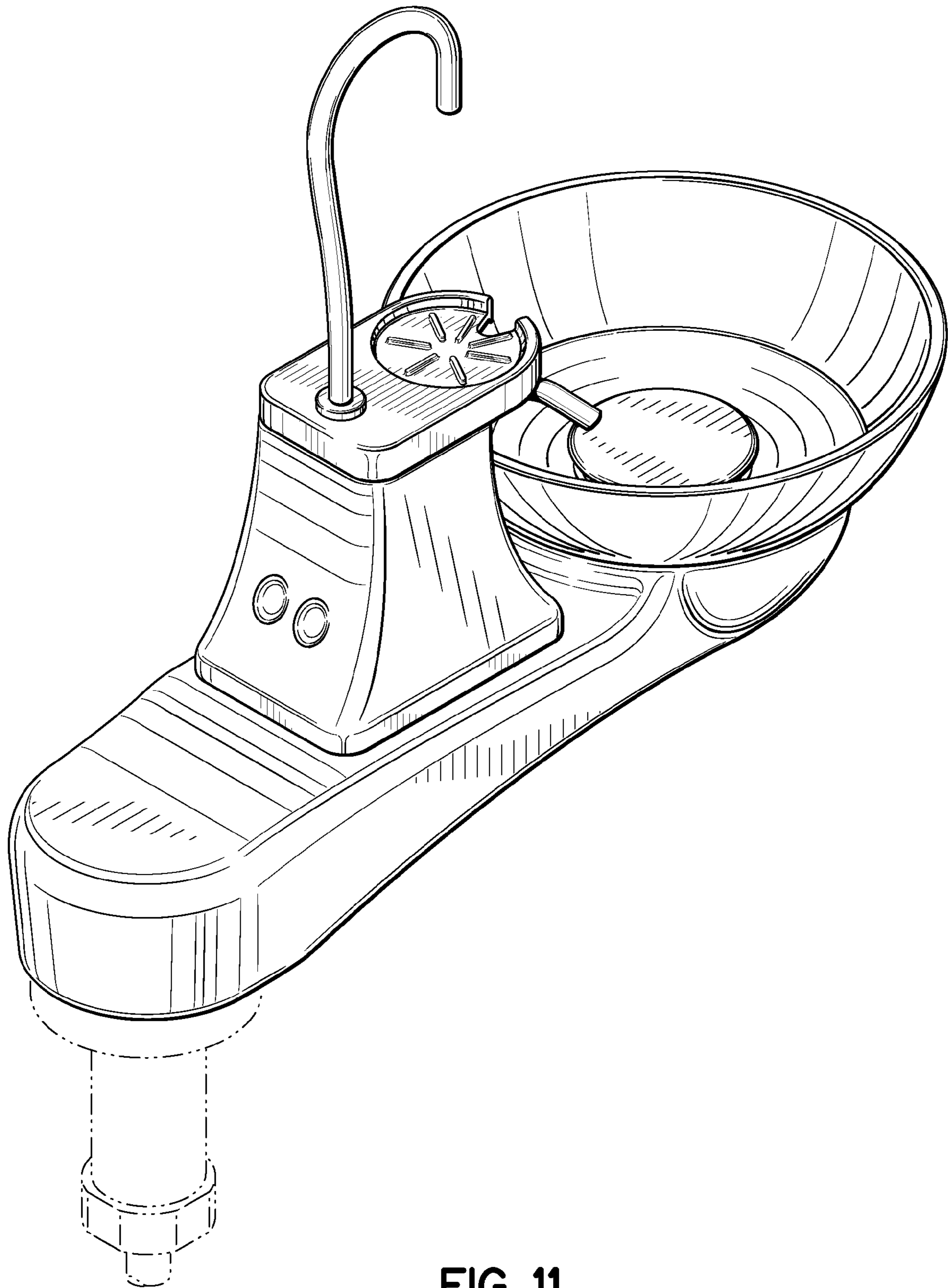


FIG. 11

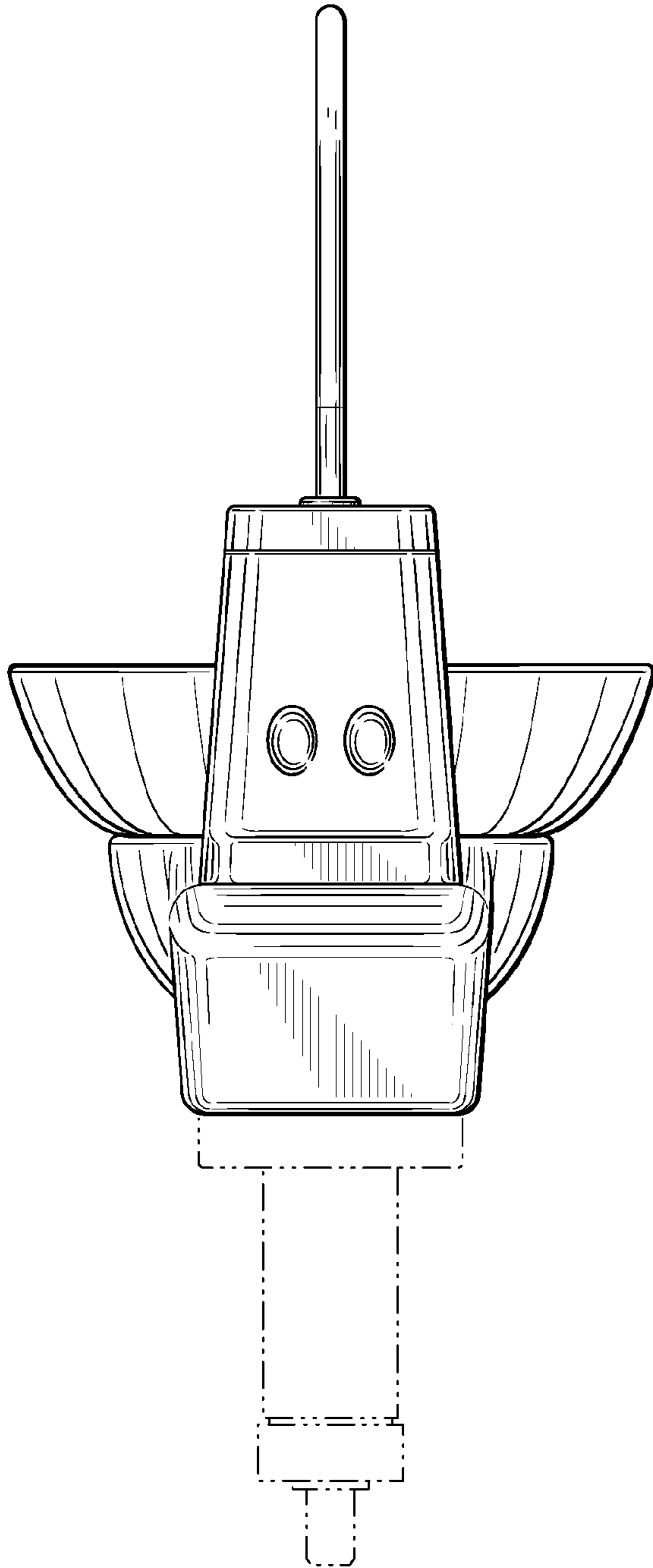


FIG. 12

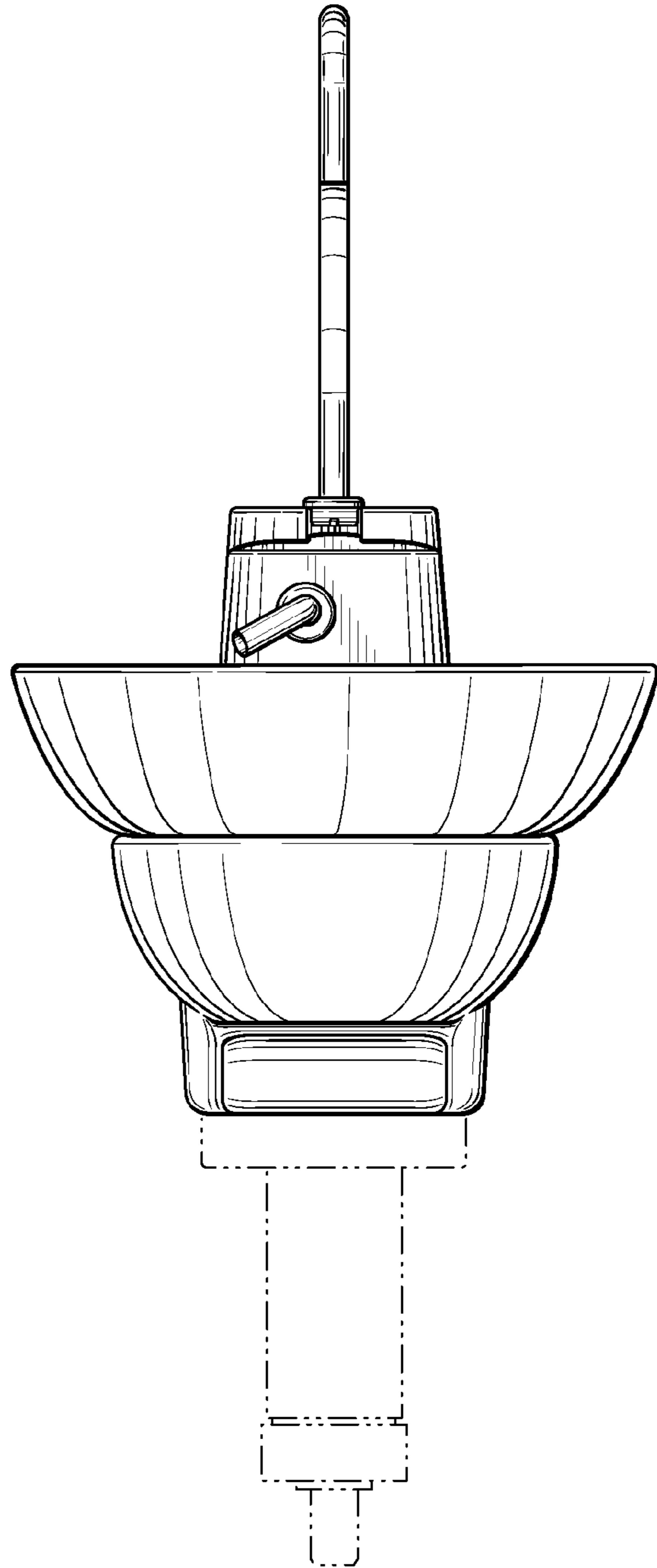


FIG. 13

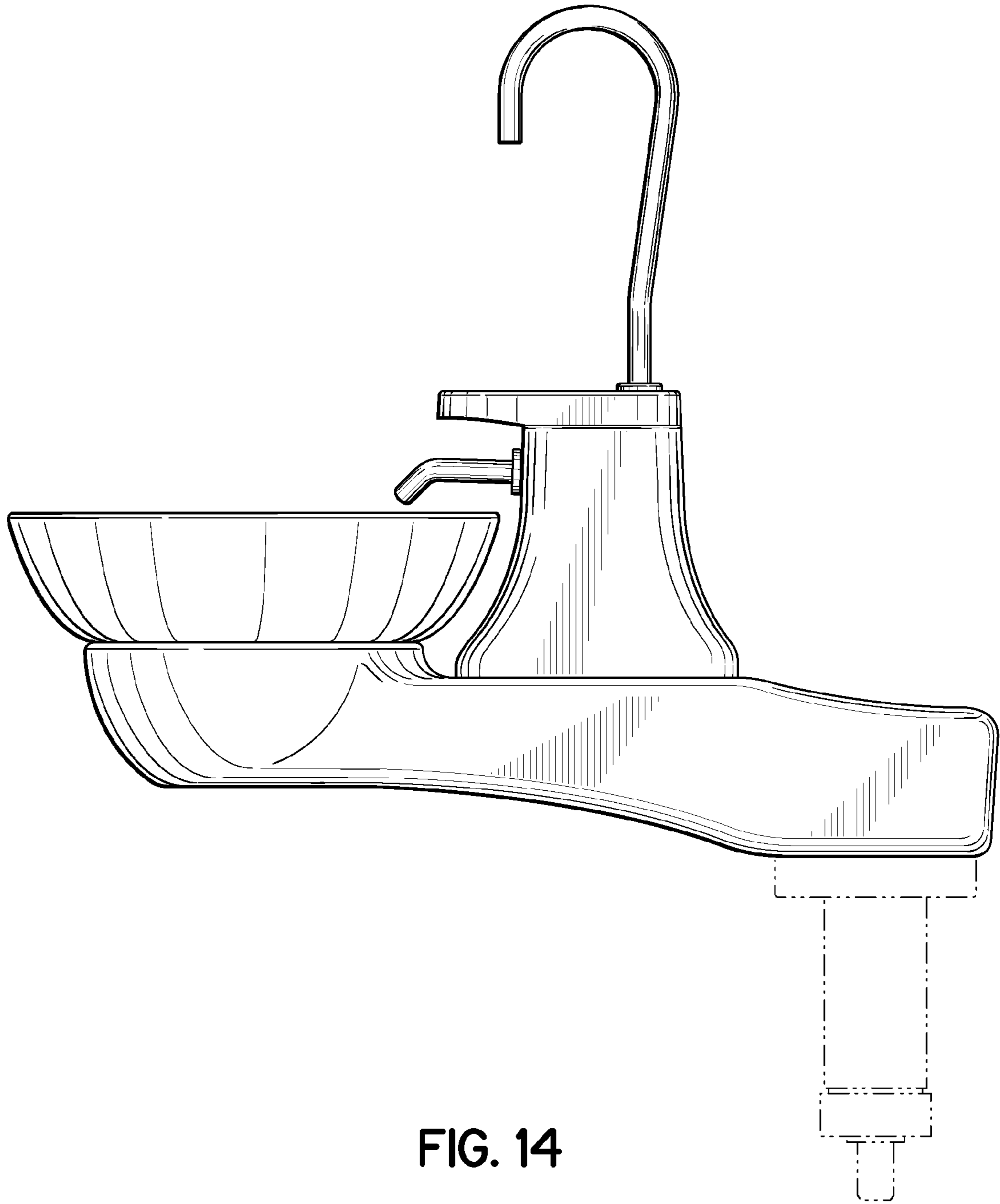


FIG. 14

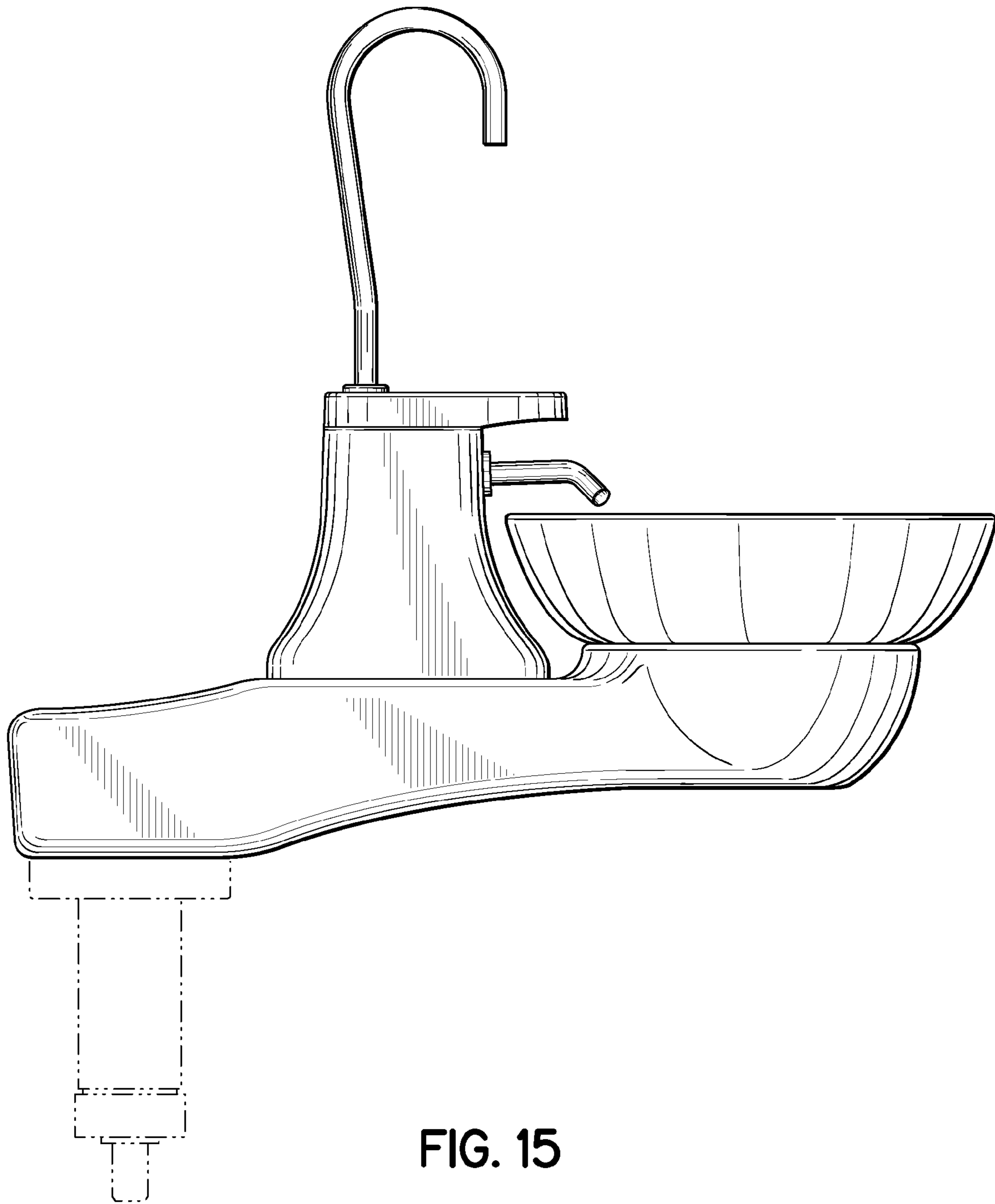


FIG. 15

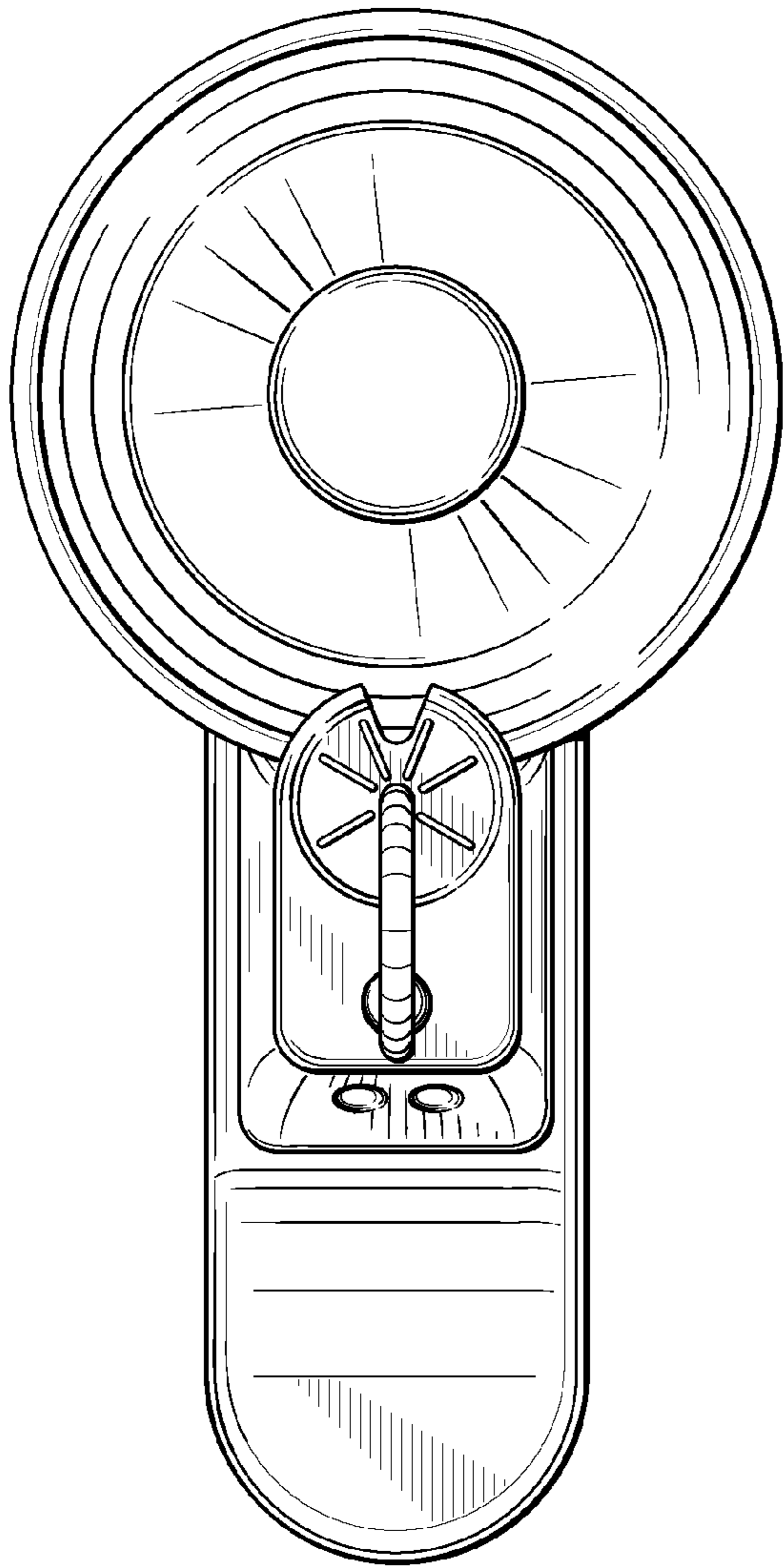


FIG. 16

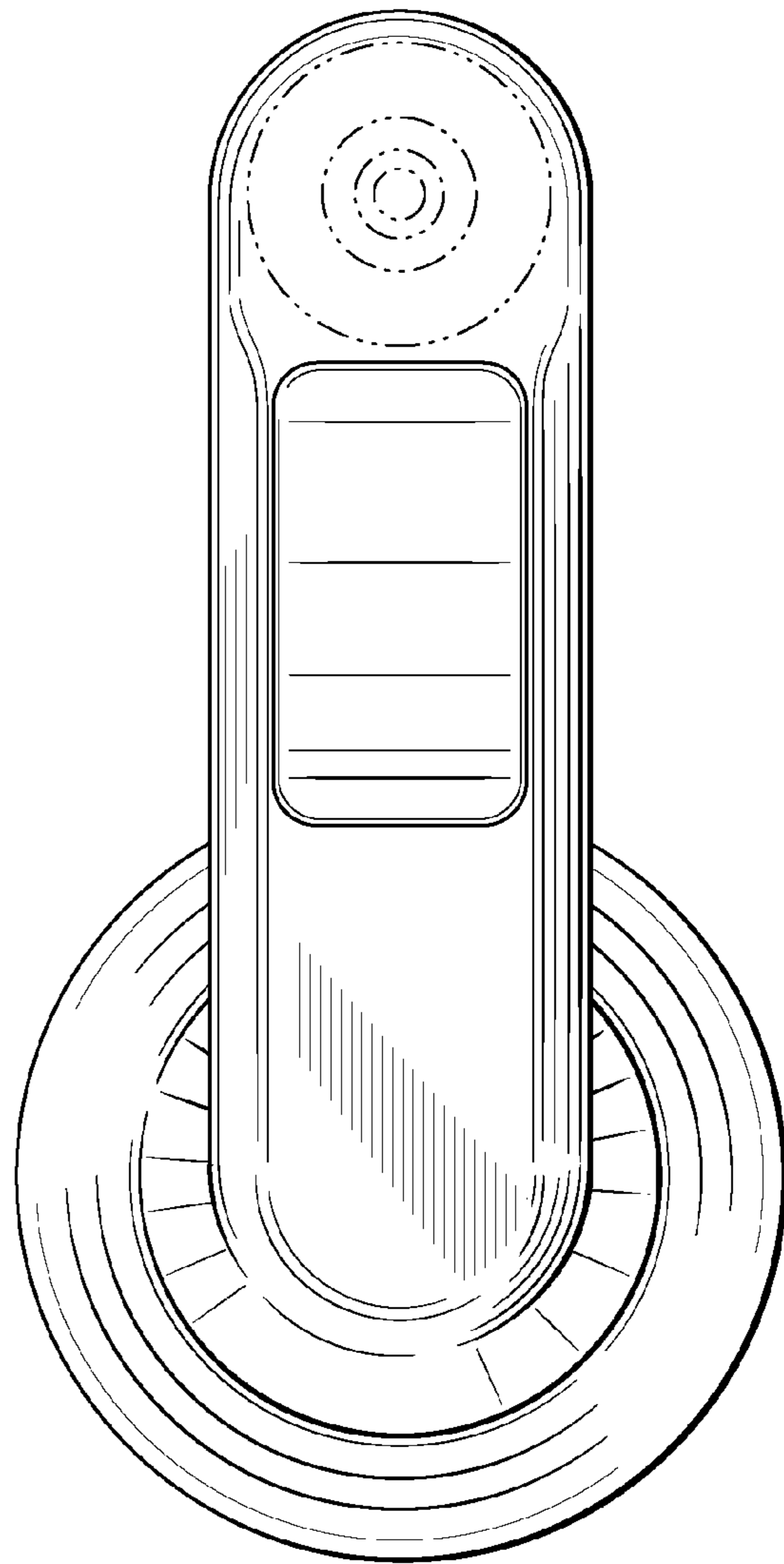


FIG. 17

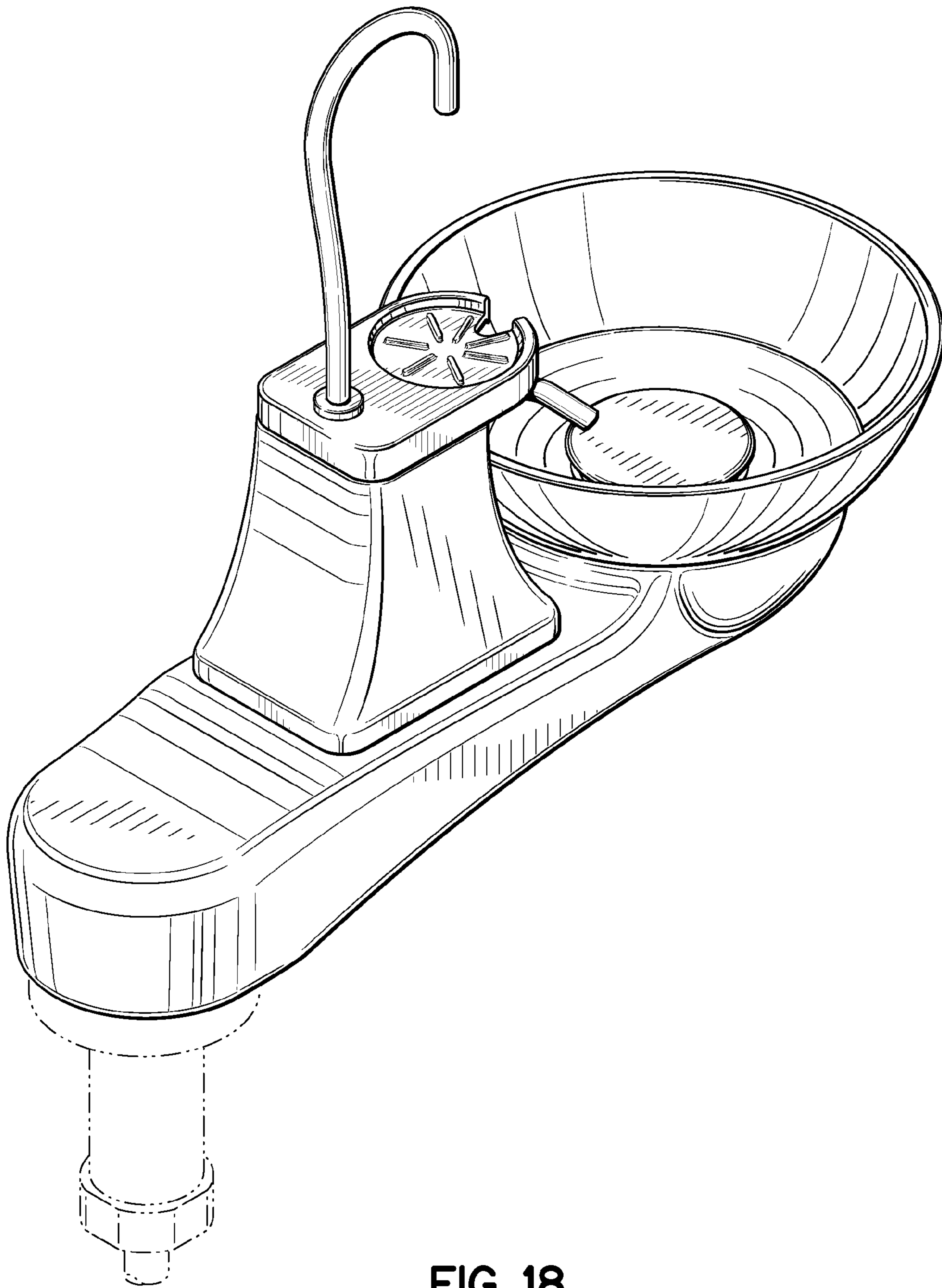


FIG. 18

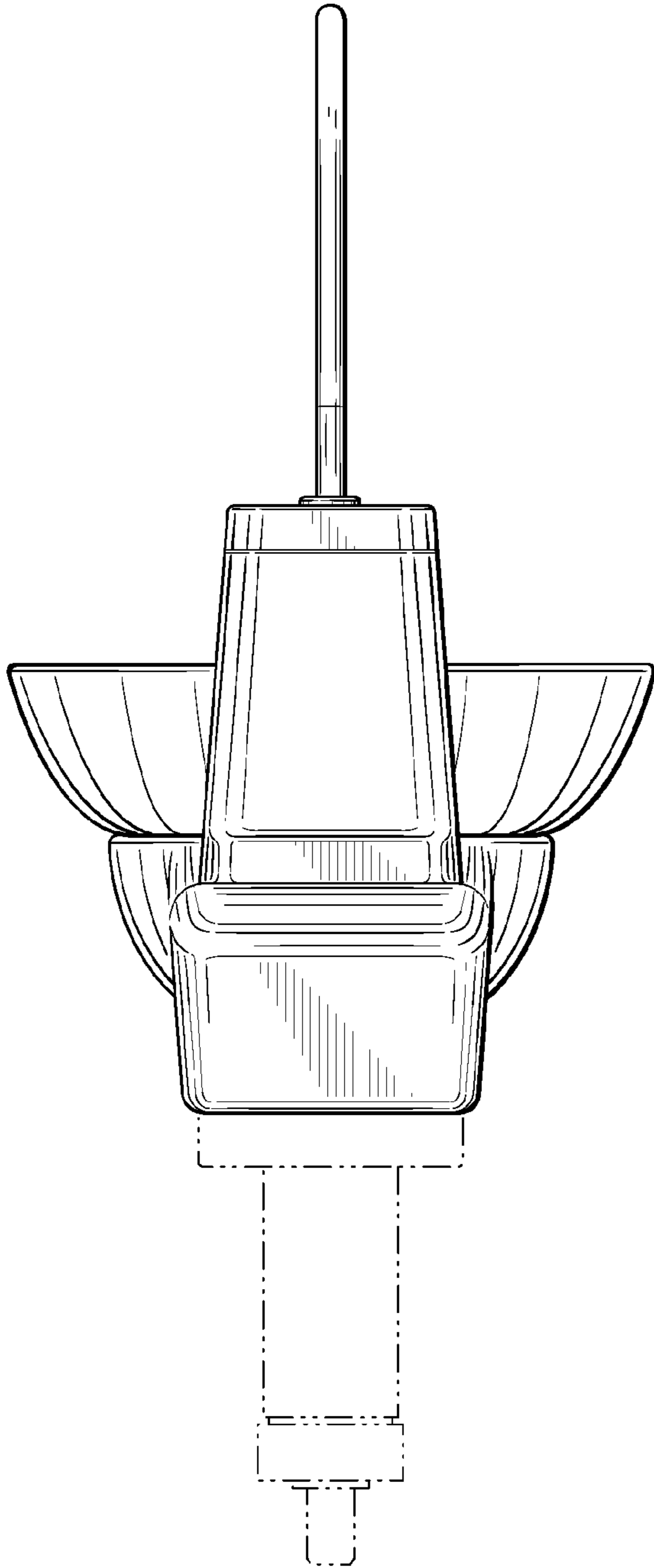


FIG. 19

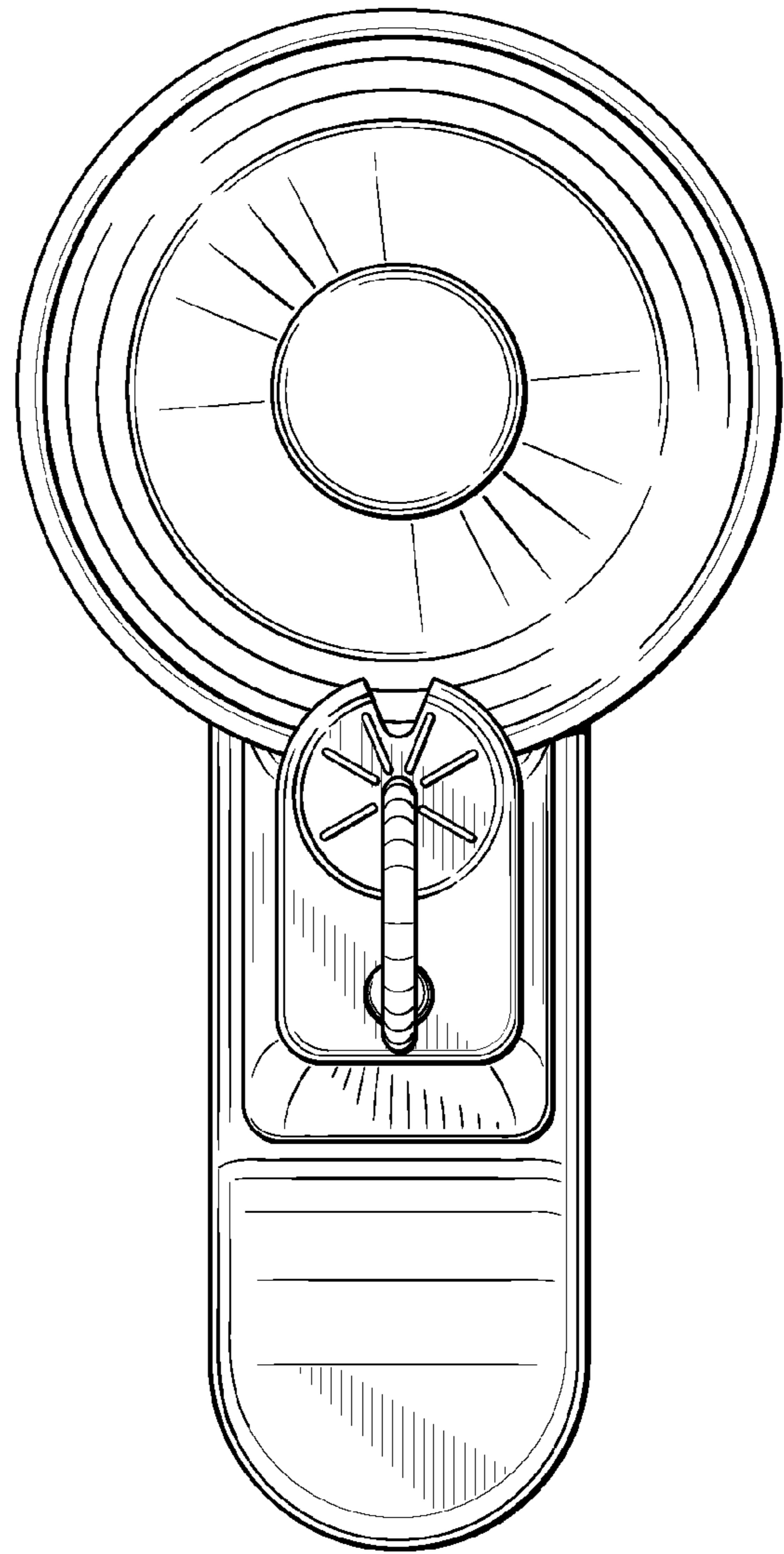


FIG. 20