



US00D605290S

(12) **United States Design Patent**
Ruf et al.

(10) **Patent No.:** **US D605,290 S**

(45) **Date of Patent:** **** Dec. 1, 2009**

(54) **MULTI-LANCET CARTRIDGE FOR A LANCING DEVICE**

(75) Inventors: **Christopher John Ruf**, Marietta, GA (US); **David R. Buenger**, Roswell, GA (US); **Michael V. Lipoma**, Villa Rica, GA (US); **David Caleb Hernandez**, Mableton, GA (US)

(73) Assignee: **Facet Technologies, LLC**, Kennesaw, GA (US)

(**) Term: **14 Years**

(21) Appl. No.: **29/281,990**

(22) Filed: **Jul. 9, 2007**

Related U.S. Application Data

(63) Continuation-in-part of application No. 11/571,378, filed on Dec. 28, 2006, and a continuation-in-part of application No. 11/107,984, filed on Apr. 15, 2005, now Pat. No. 7,377,904.

(51) **LOC (9) Cl.** **24-02**

(52) **U.S. Cl.** **D24/146**

(58) **Field of Classification Search** D24/146, D24/147; 606/181, 182, 184, 185

See application file for complete search history.

(56) **References Cited**

U.S. PATENT DOCUMENTS

4,794,926	A	1/1989	Munsch et al.
D342,573	S	12/1993	Cerola
5,395,388	A	3/1995	Schraga
D376,203	S	12/1996	Schraga
6,228,100	B1	5/2001	Schraga
6,530,892	B1	3/2003	Kelly
7,041,068	B2	5/2006	Freeman et al.
7,150,755	B2	12/2006	LeVaughn et al.
7,299,081	B2	11/2007	Mace et al.
2005/0154410	A1	7/2005	Conway et al.
2005/0234494	A1	10/2005	Conway et al.
2006/0178600	A1	8/2006	Kennedy et al.
2006/0224172	A1	10/2006	LeVaughn et al.
2006/0235454	A1	10/2006	LeVaughn et al.

Primary Examiner—Ian Simmons

Assistant Examiner—C Lee

(74) *Attorney, Agent, or Firm*—Gardner Groff Greenwald & Villanueva, PC

(57) **CLAIM**

The ornamental design for a multi-lancet cartridge for a lancing device, as shown and described.

DESCRIPTION

FIG. 1 is a top perspective view of a multi-lancet cartridge according to a first embodiment of the present invention.

FIG. 2 is a bottom perspective view of the multi-lancet cartridge of FIG. 1.

FIG. 3 is a bottom view of the multi-lancet cartridge of FIG. 1.

FIG. 4 is a top view of the multi-lancet cartridge of FIG. 1.

FIG. 5 is a left view of the multi-lancet cartridge of FIG. 1.

FIG. 6 is a right view of the multi-lancet cartridge of FIG. 1.

FIG. 7 is a front view of the multi-lancet cartridge of FIG. 1.

FIG. 8 is a rear view of the multi-lancet cartridge of FIG. 1.

FIG. 9 is a top perspective view of a multi-lancet cartridge according to a second embodiment of the present invention, showing the cartridge having the shape of an annular disc with a generally D-shaped inner opening and a two-tiered bottom.

FIG. 10 is a bottom perspective view of the multi-lancet cartridge of FIG. 9.

FIG. 11 is a bottom view of the multi-lancet cartridge of FIG. 9.

FIG. 12 is a top view of the multi-lancet cartridge of FIG. 9.

FIG. 13 is a left view of the multi-lancet cartridge of FIG. 9.

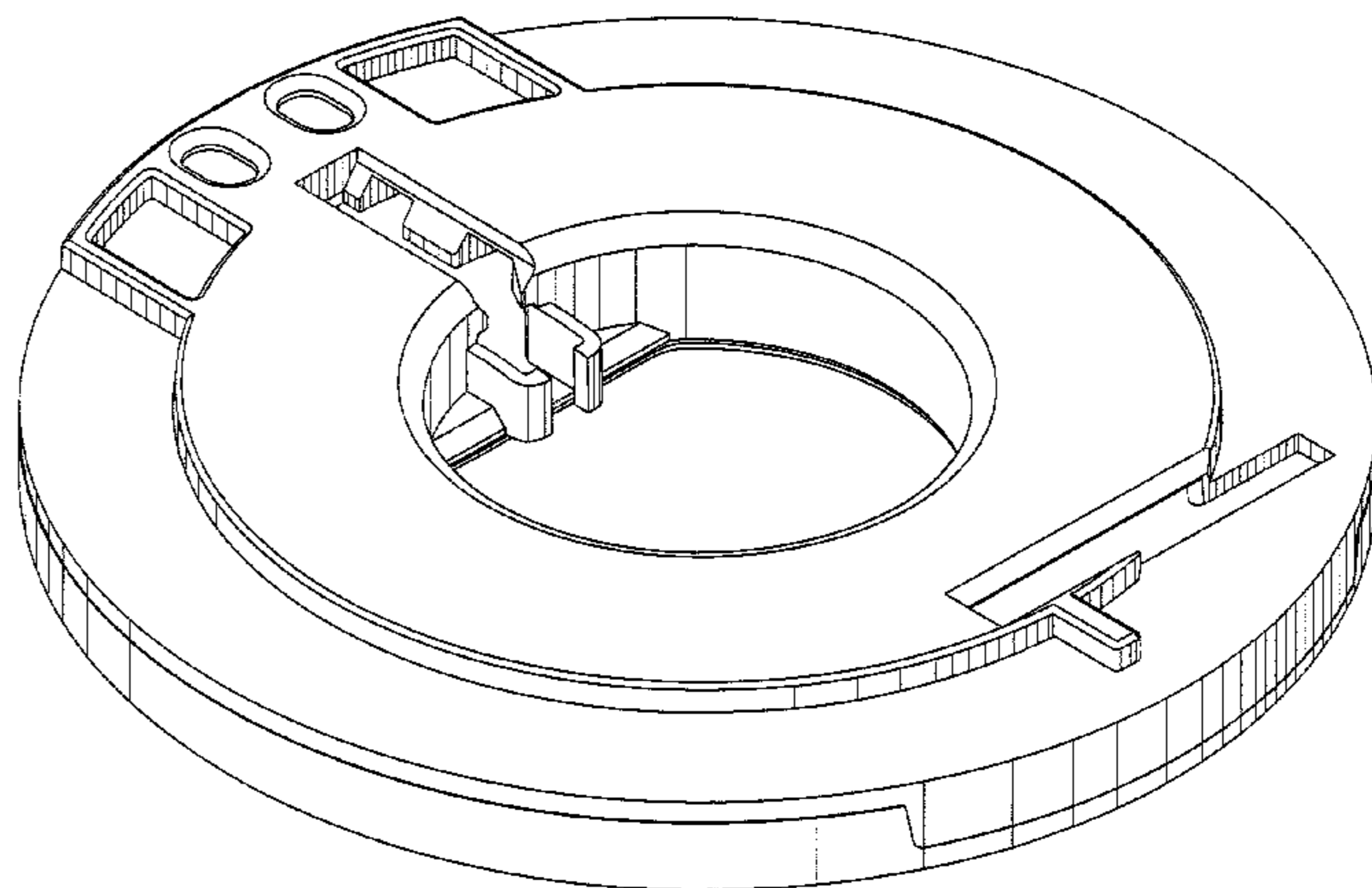
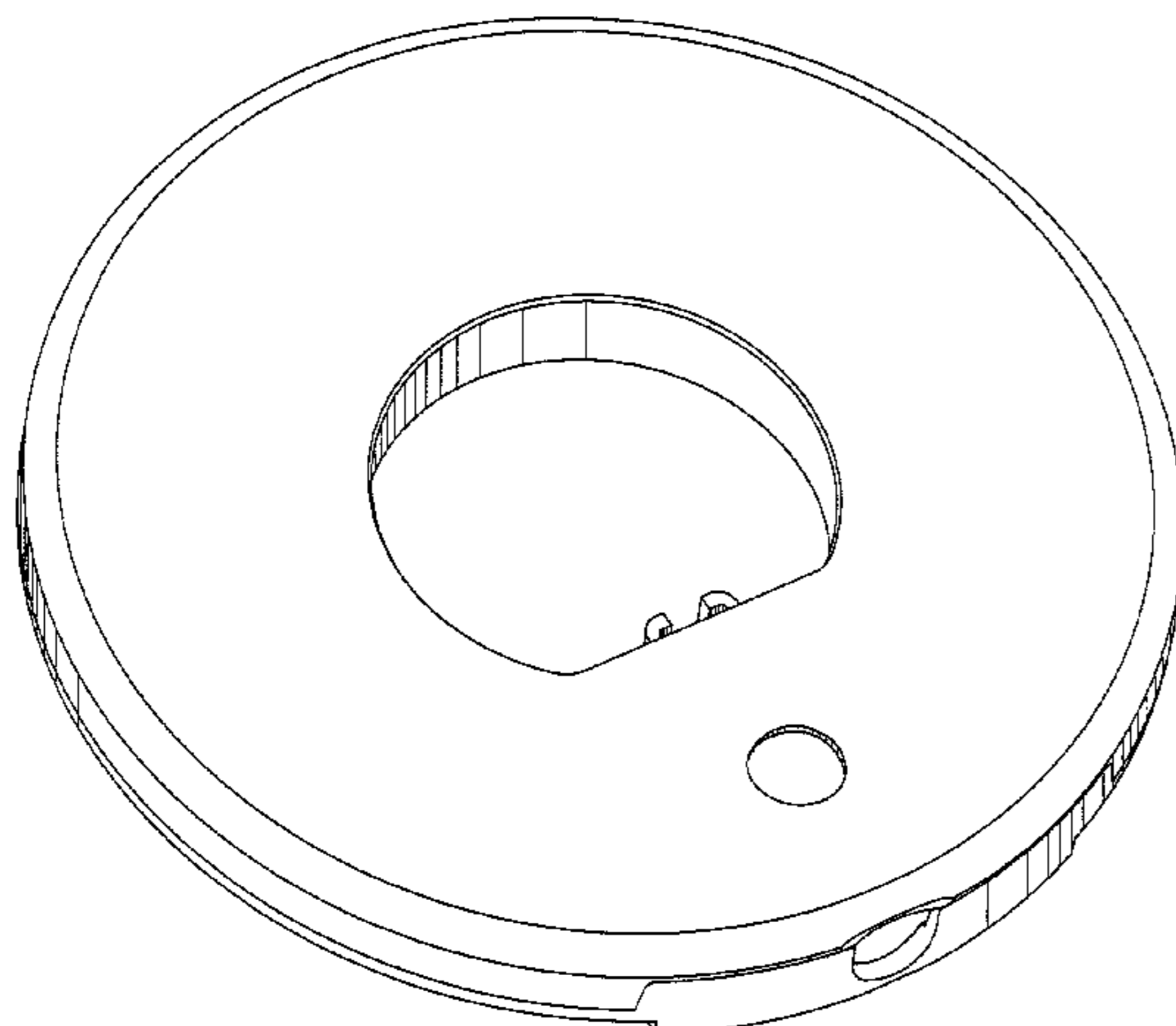
FIG. 14 is a right view of the multi-lancet cartridge of FIG. 9.

FIG. 15 is a front view of the multi-lancet cartridge of FIG. 9; and,

FIG. 16 is a rear view of the multi-lancet cartridge of FIG. 9.

The broken lines in various of the figures are for illustrative purposes only and form no part of the claimed design.

1 Claim, 8 Drawing Sheets



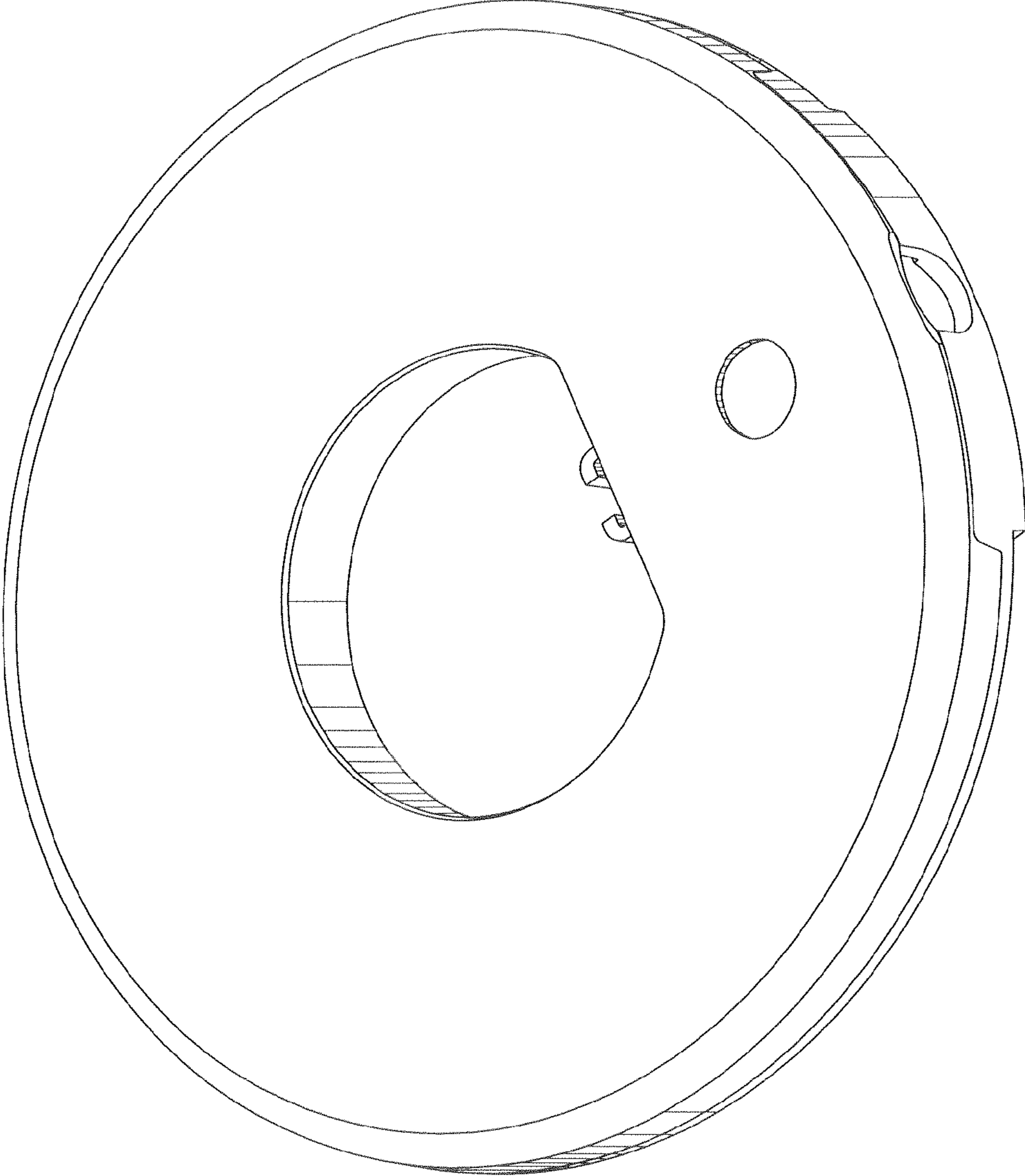


Fig. 1

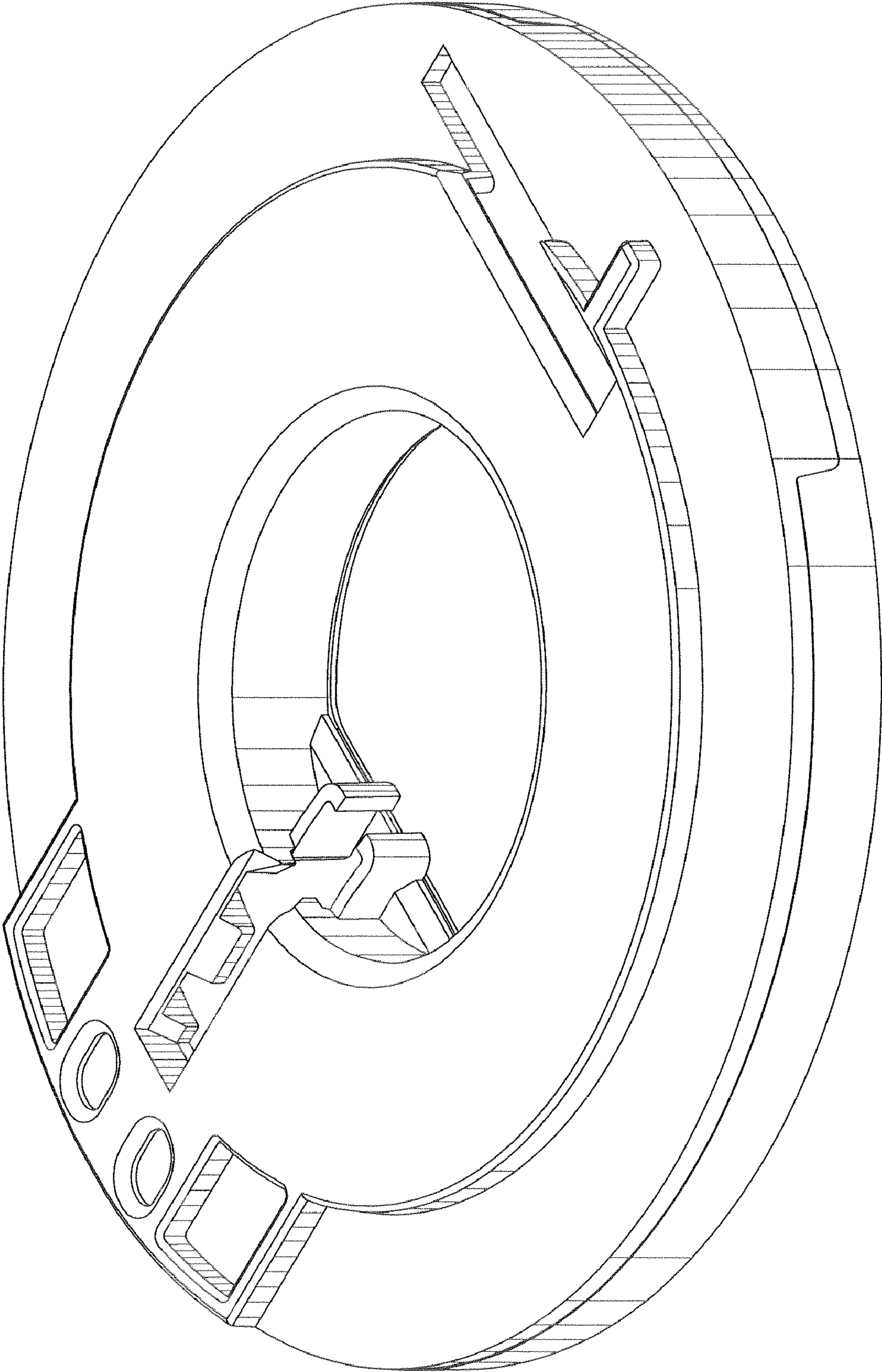


Fig. 2

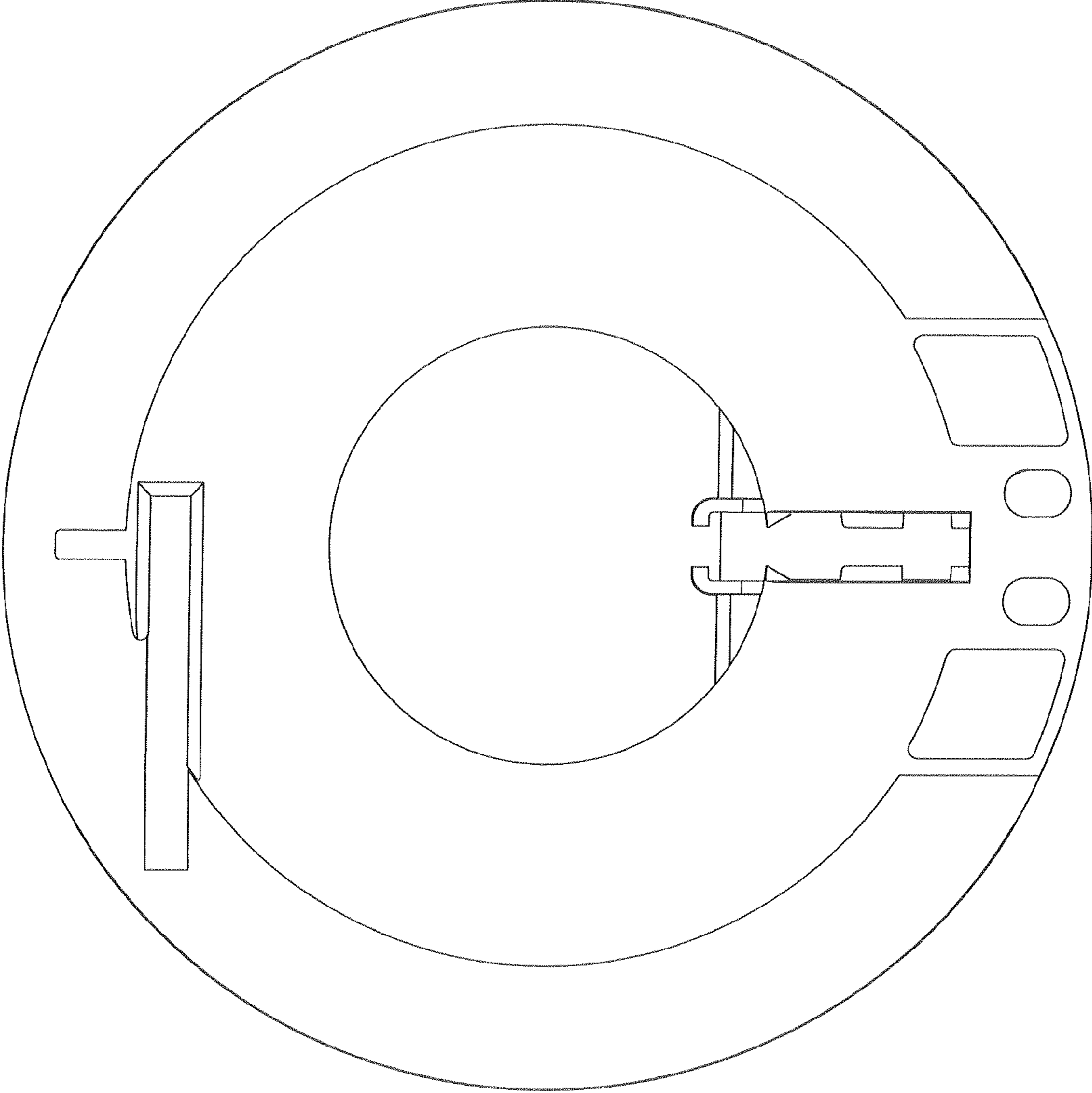


Fig. 3



Fig. 6

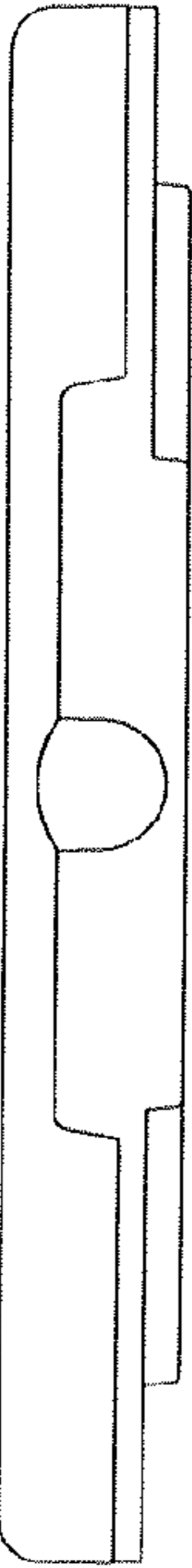


Fig. 7

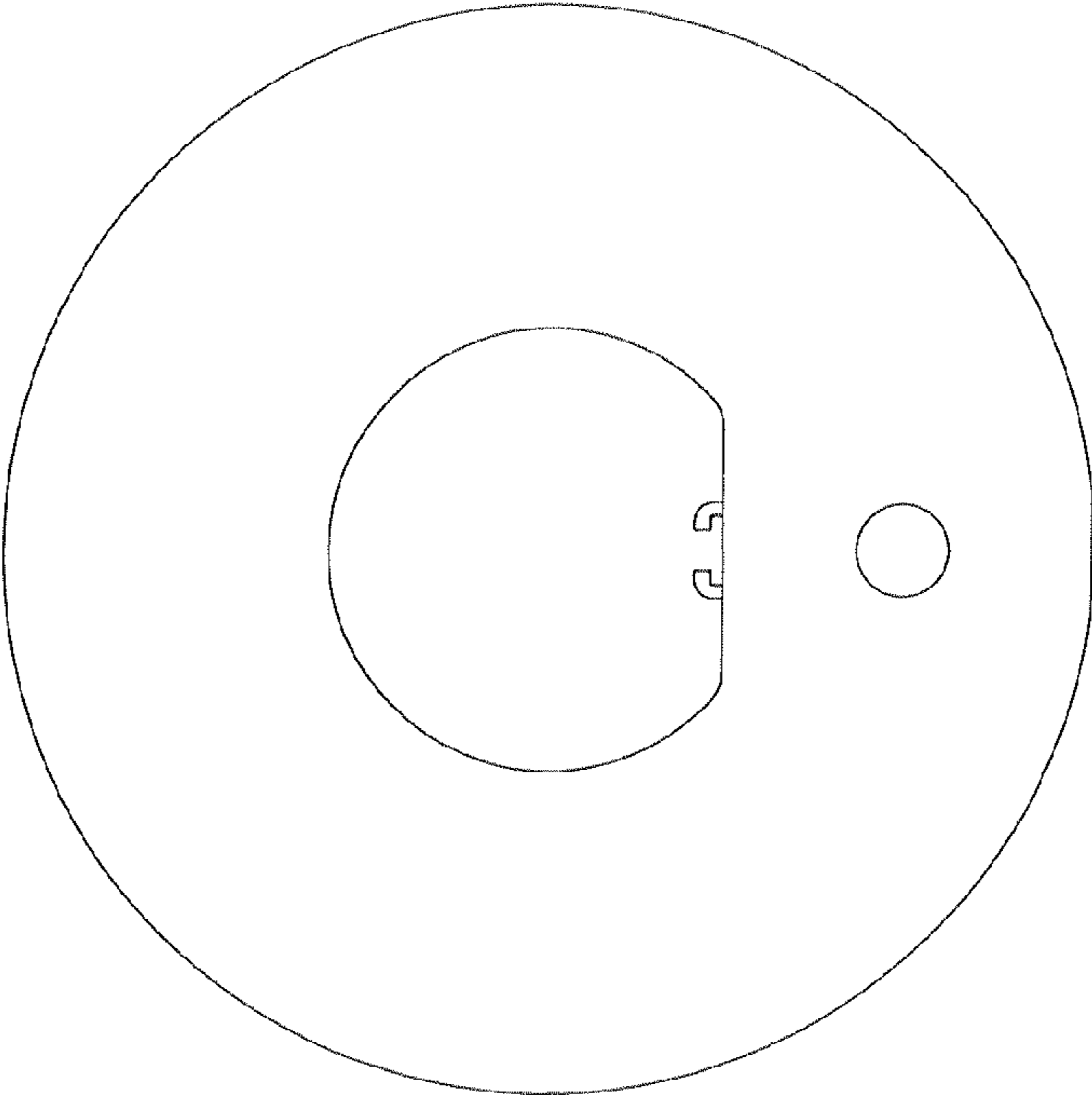


Fig. 4

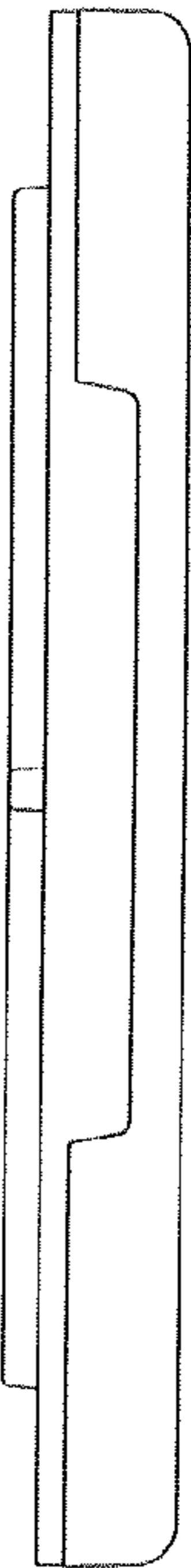


Fig. 8



Fig. 5

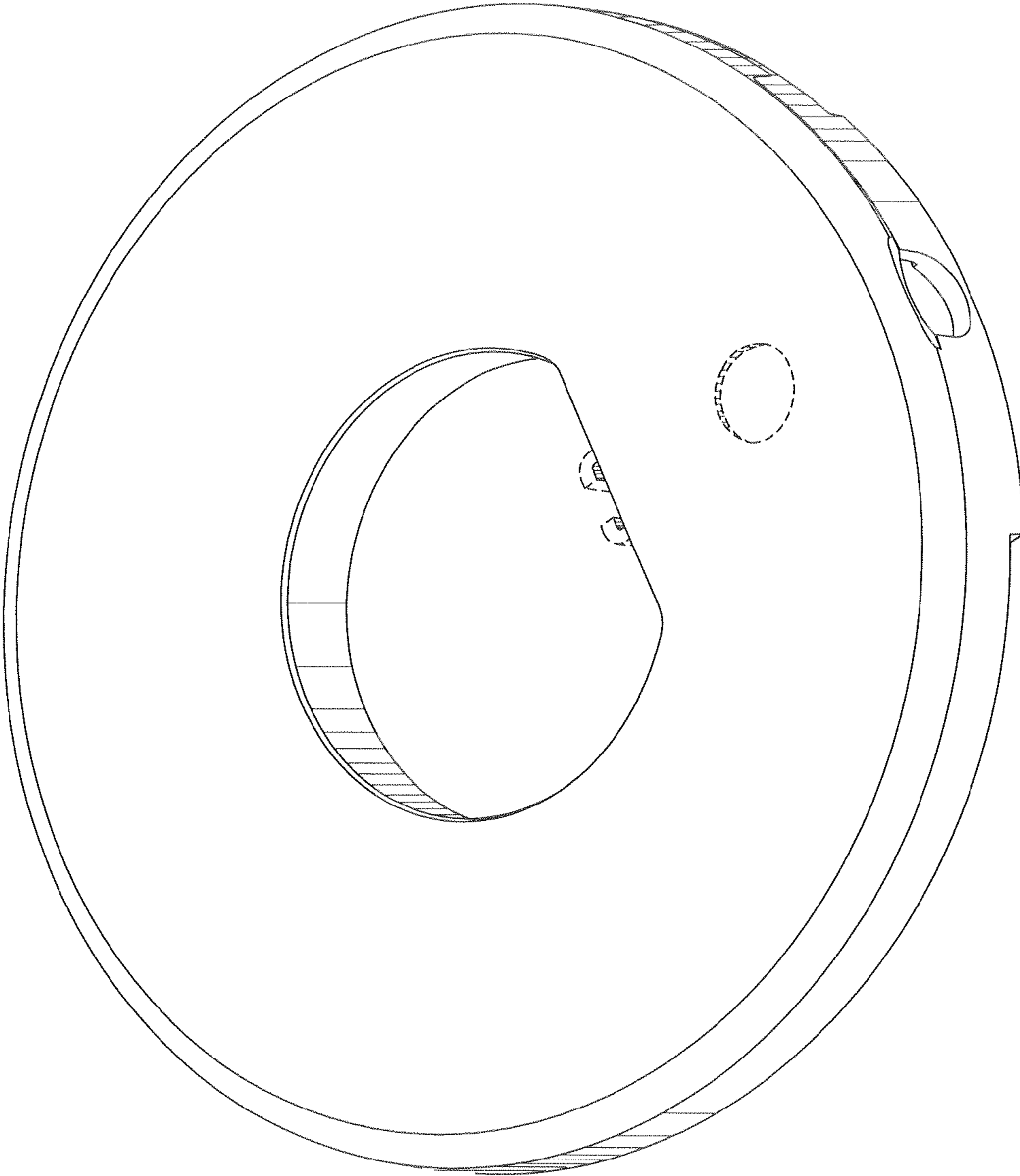


Fig. 9

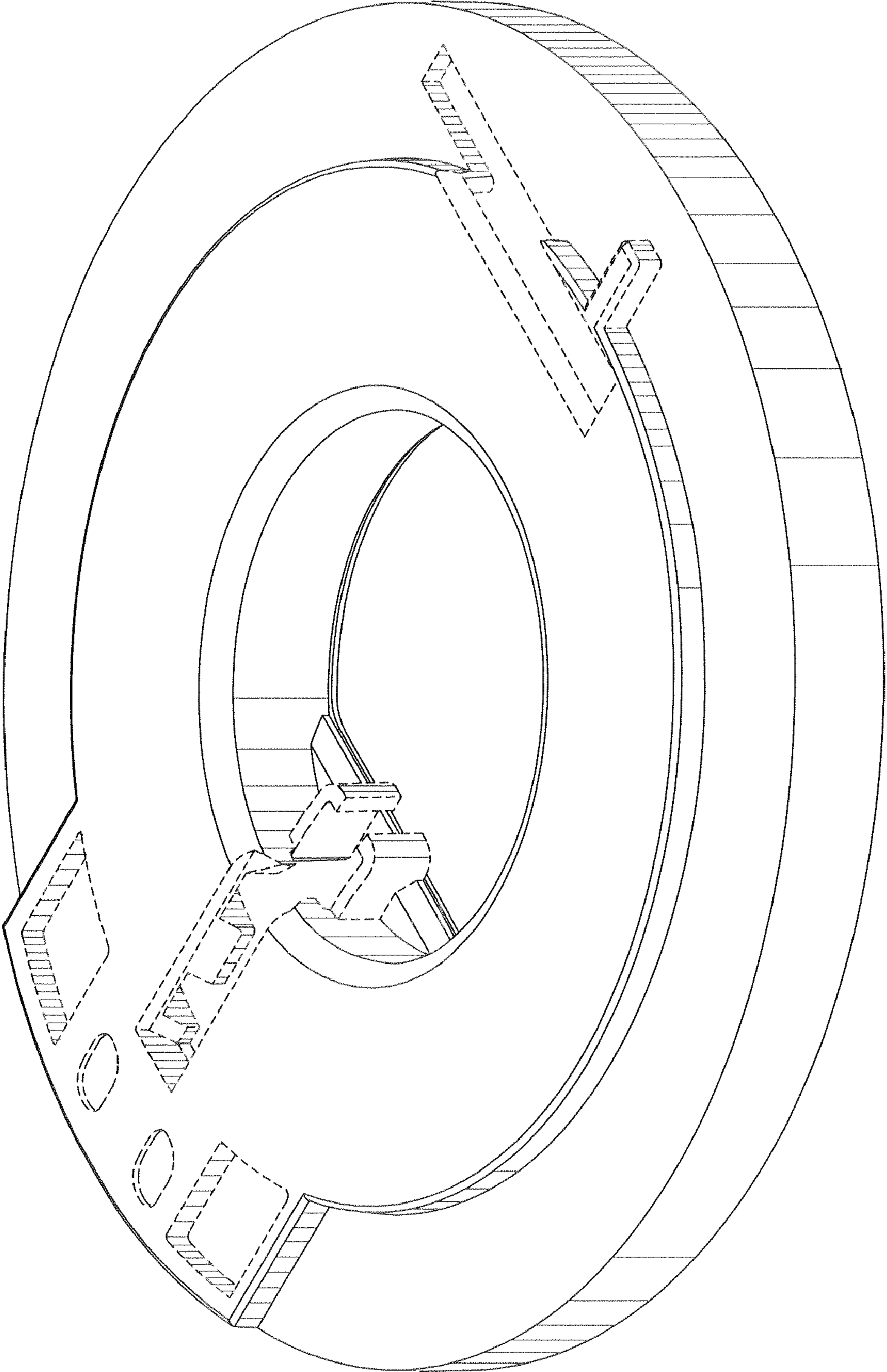


Fig. 10

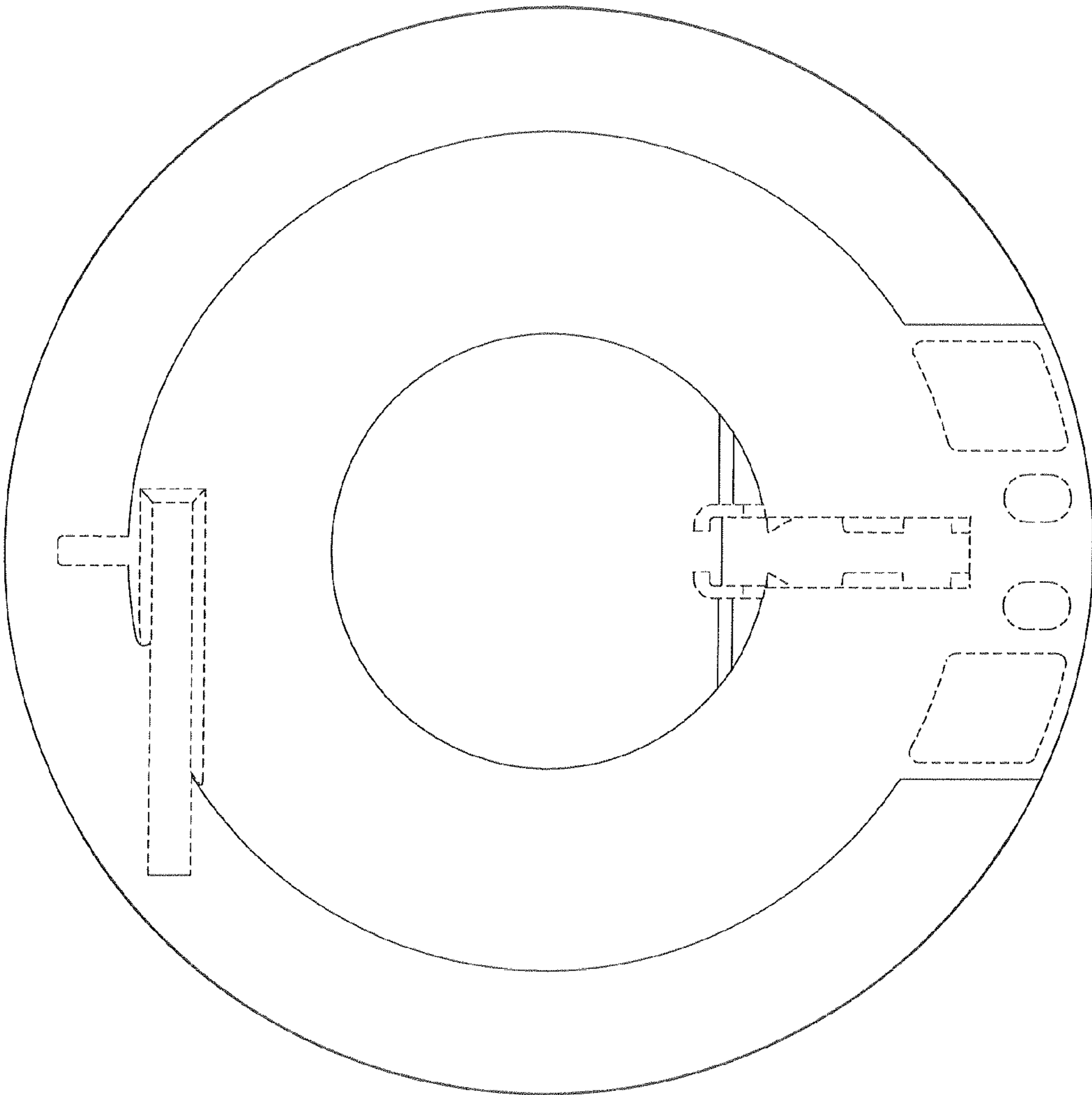


Fig. 11

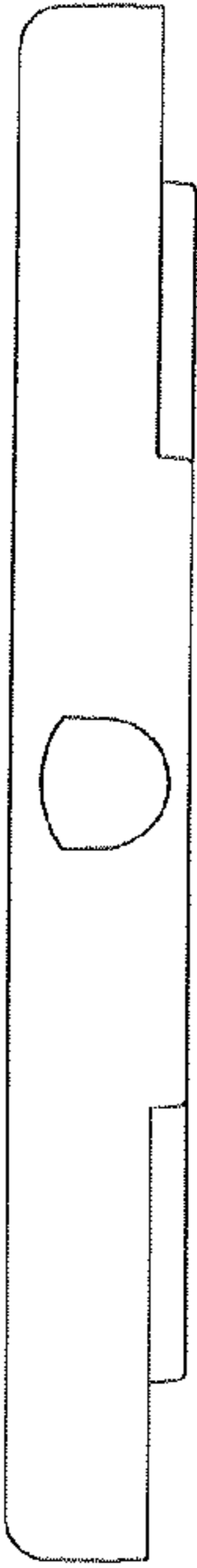


Fig. 15

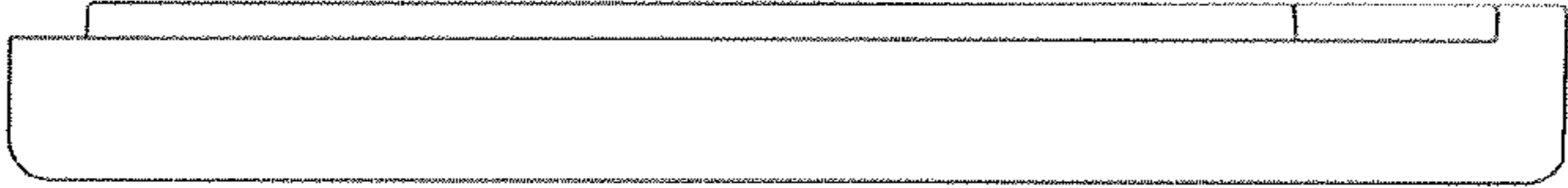


Fig. 13

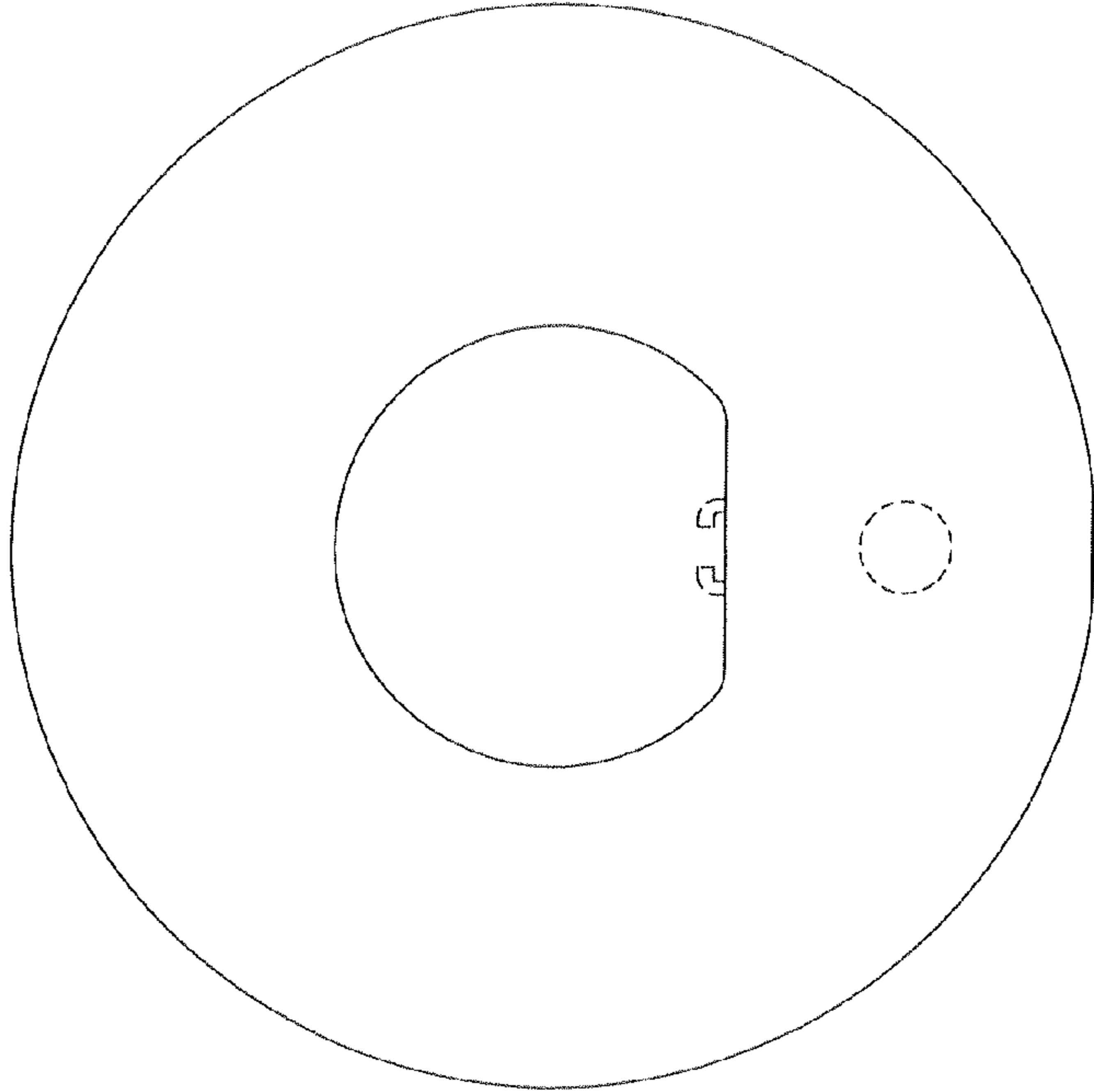


Fig. 12



Fig. 14

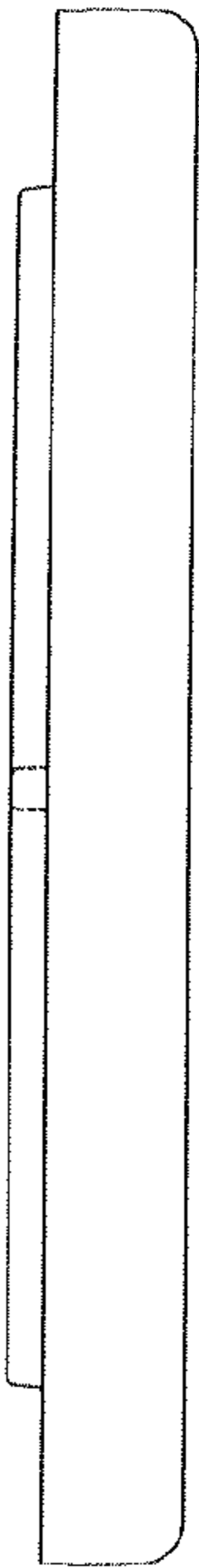


Fig. 16